



US00D397965S

United States Patent [19]

Ebeyer

[11] **Patent Number: Des. 397,965**

[45] **Date of Patent: **Sep. 8, 1998**

[54] **BICYCLE STABLE BAR SEAT ATTACHMENT KIT**

[76] Inventor: **Chuck Ebeyer**, 507 Terrehaute, Houma, La. 70864

[**] Term: **14 Years**

[21] Appl. No.: **70,229**

[22] Filed: **May 2, 1997**

[51] **LOC (6) Cl.** **12-11**

[52] **U.S. Cl.** **D12/114**

[58] **Field of Search** D12/114, 178, D12/119; 297/209, 215; 280/288.4

[56] **References Cited**

U.S. PATENT DOCUMENTS

D. 305,628	1/1990	Mansler	D12/114
4,456,295	6/1984	Francu	297/209 X
5,368,358	11/1994	Christensen	297/215

Primary Examiner—Melody N. Brown

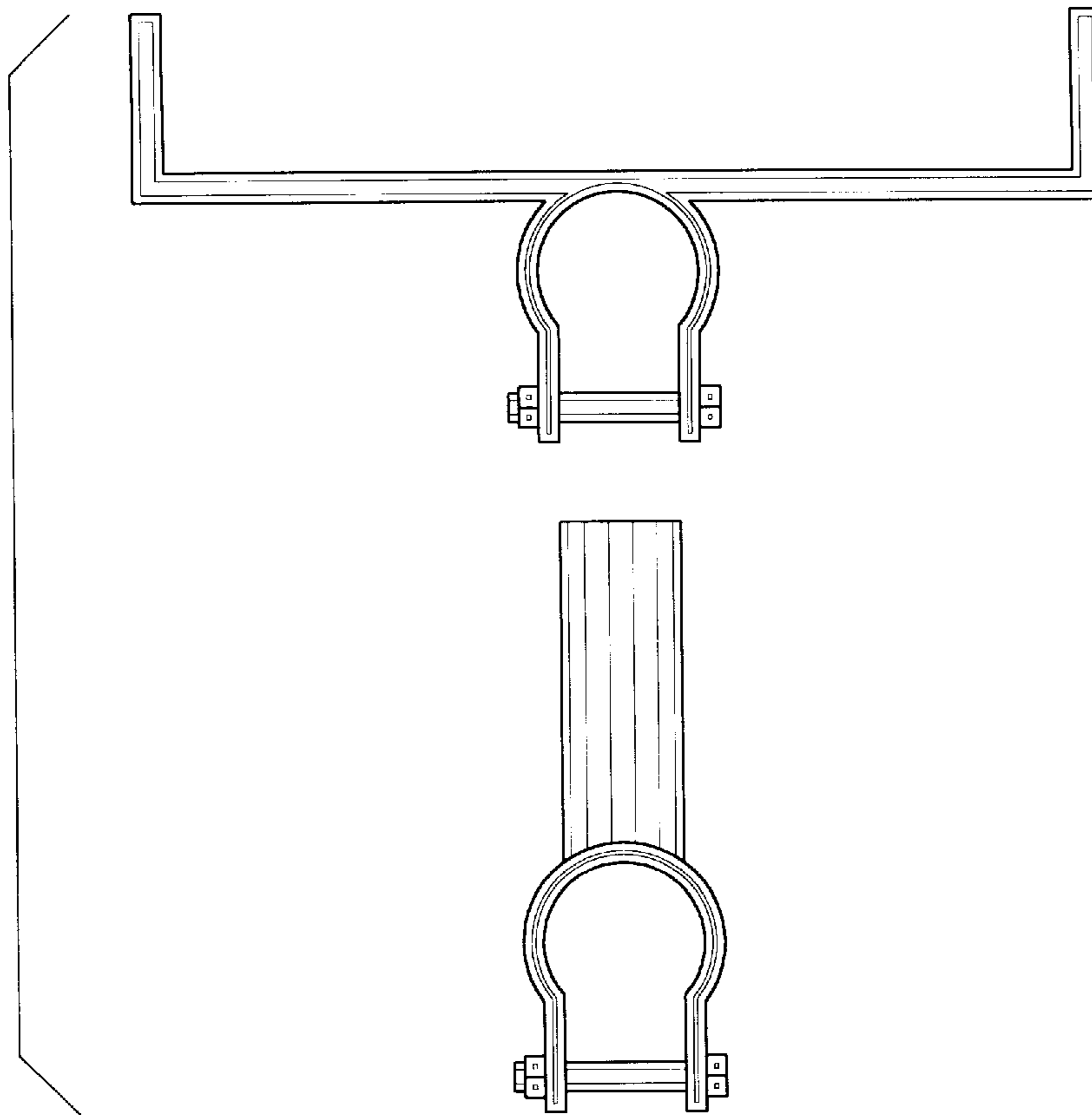
[57] **CLAIM**

The ornamental design for a bicycle stable bar seat attachment kit, as shown.

DESCRIPTION

FIG. 1 is a front elevational view of the bicycle stable bar seat attachment kit of the present invention;
 FIG. 2 is a back elevational view of the bicycle stable bar seat attachment kit of FIG. 1;
 FIG. 3 is a left side elevational view of the bicycle stable bar seat attachment kit of FIG. 1;
 FIG. 4 is a right side elevational view of the bicycle stable bar seat attachment kit of FIG. 1;
 FIG. 5 is a top plan view of the bicycle stable bar seat attachment kit of FIG. 1; and,
 FIG. 6 is a bottom plan view of the bicycle stable bar seat attachment kit of FIG. 1.

1 Claim, 3 Drawing Sheets



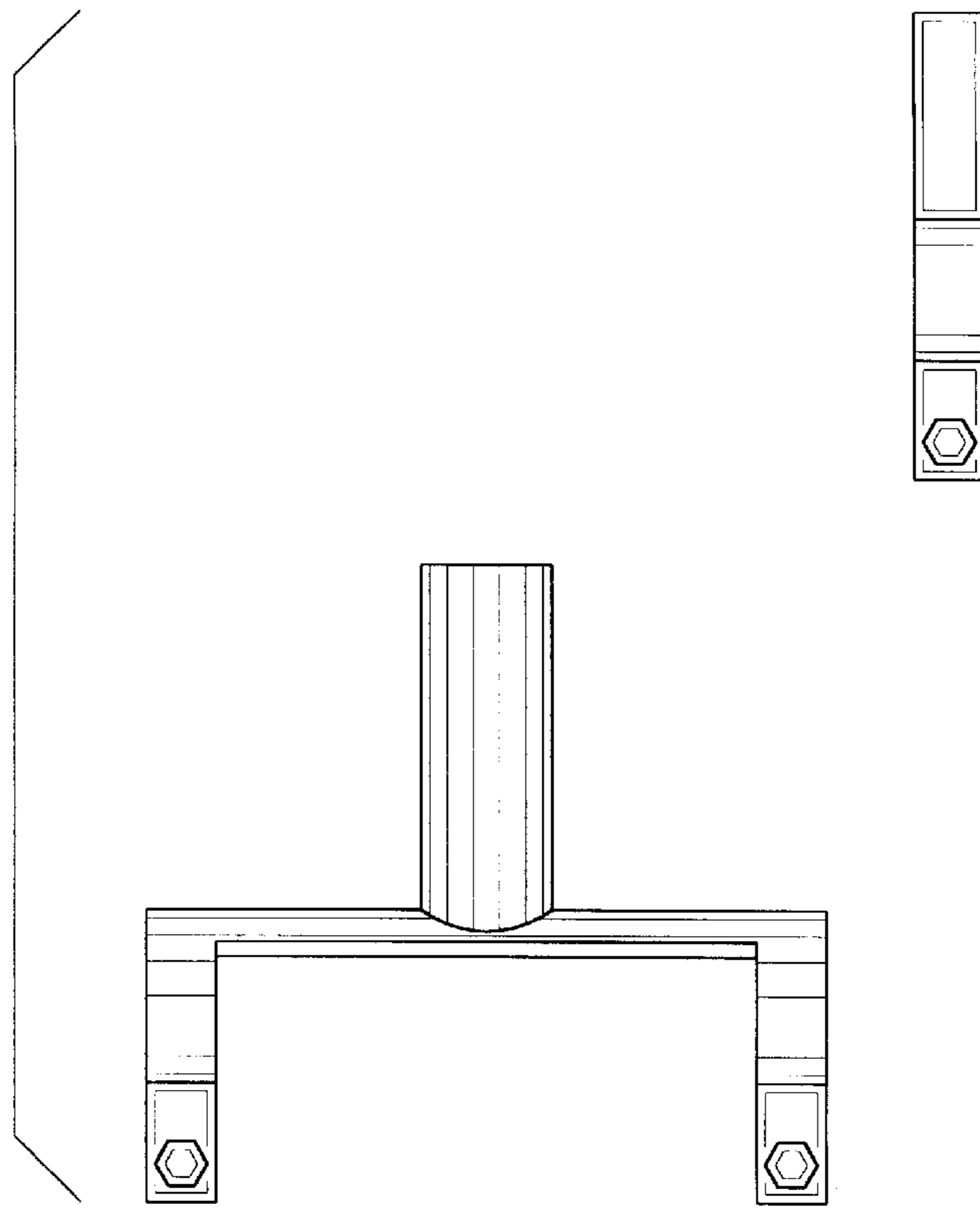


Fig. 1

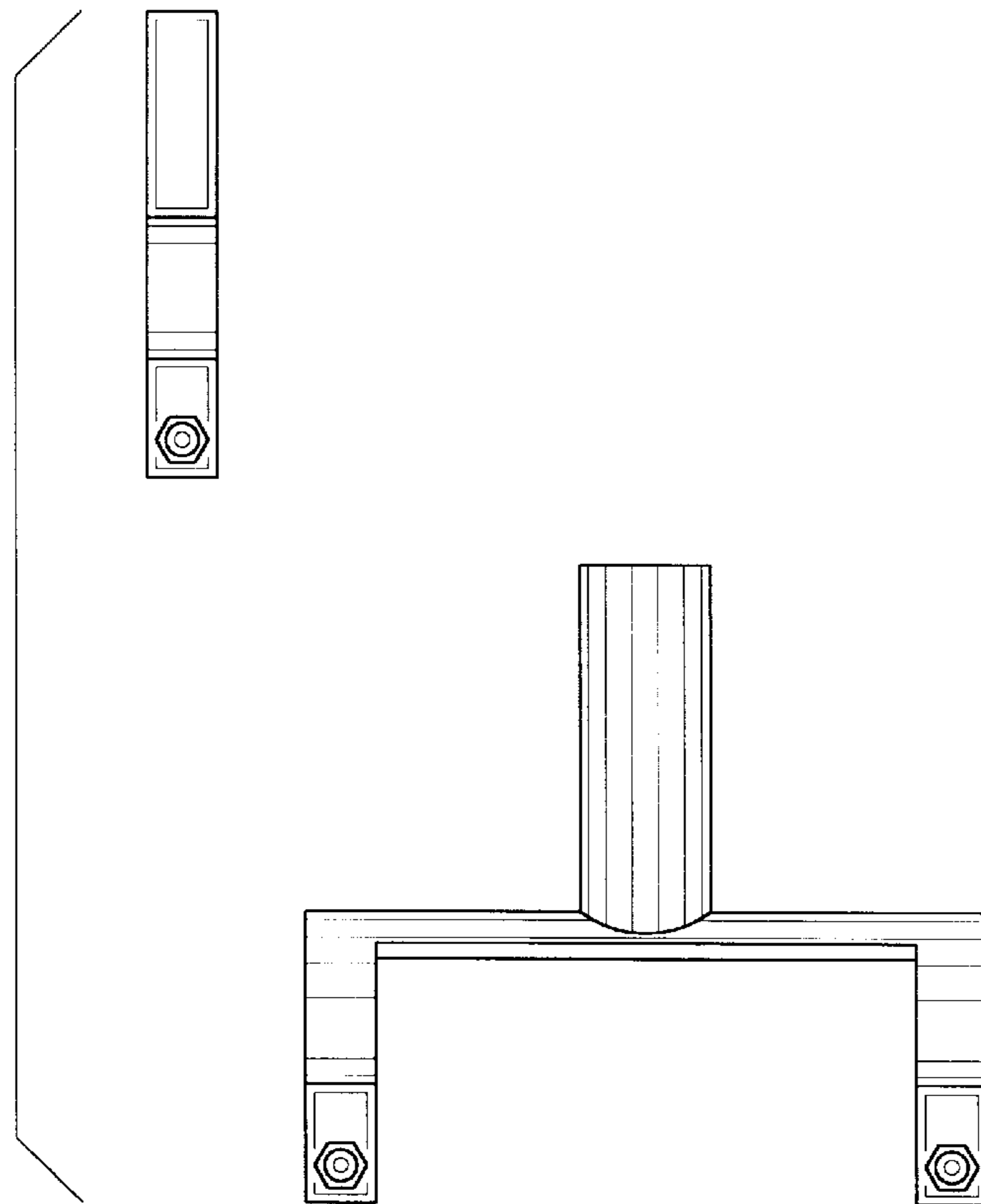


Fig. 2

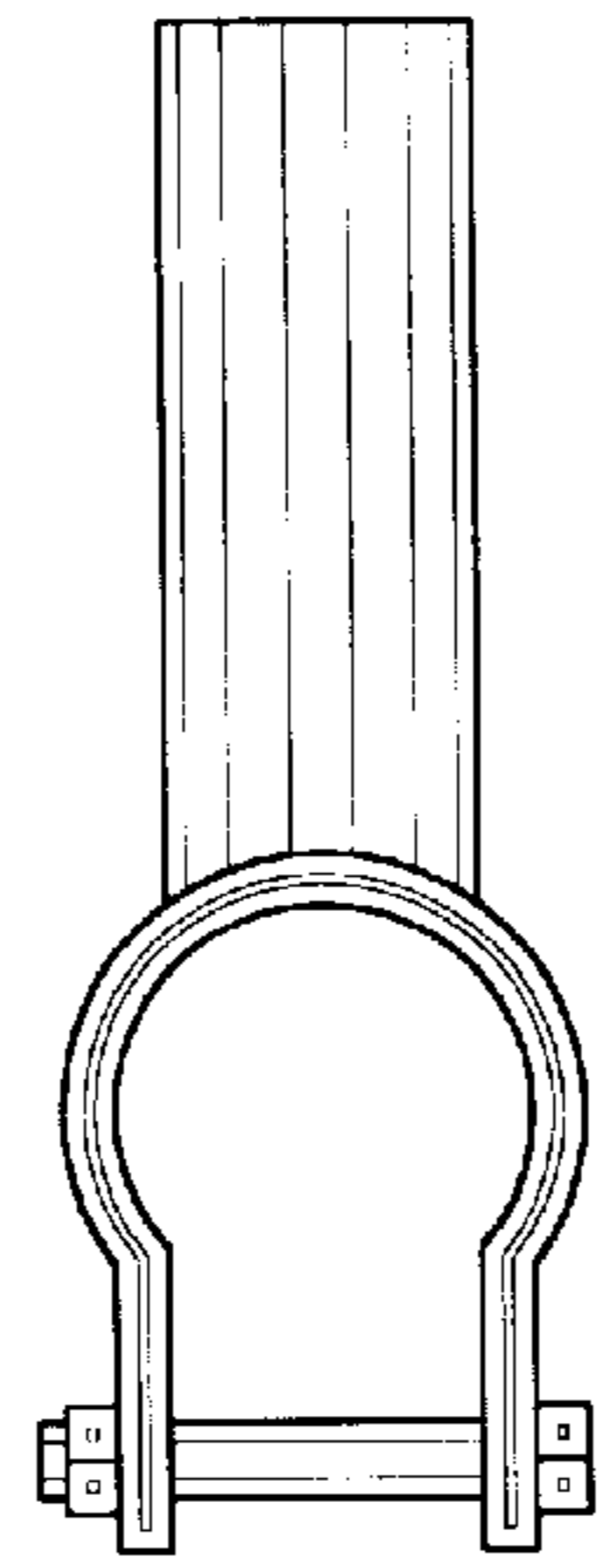
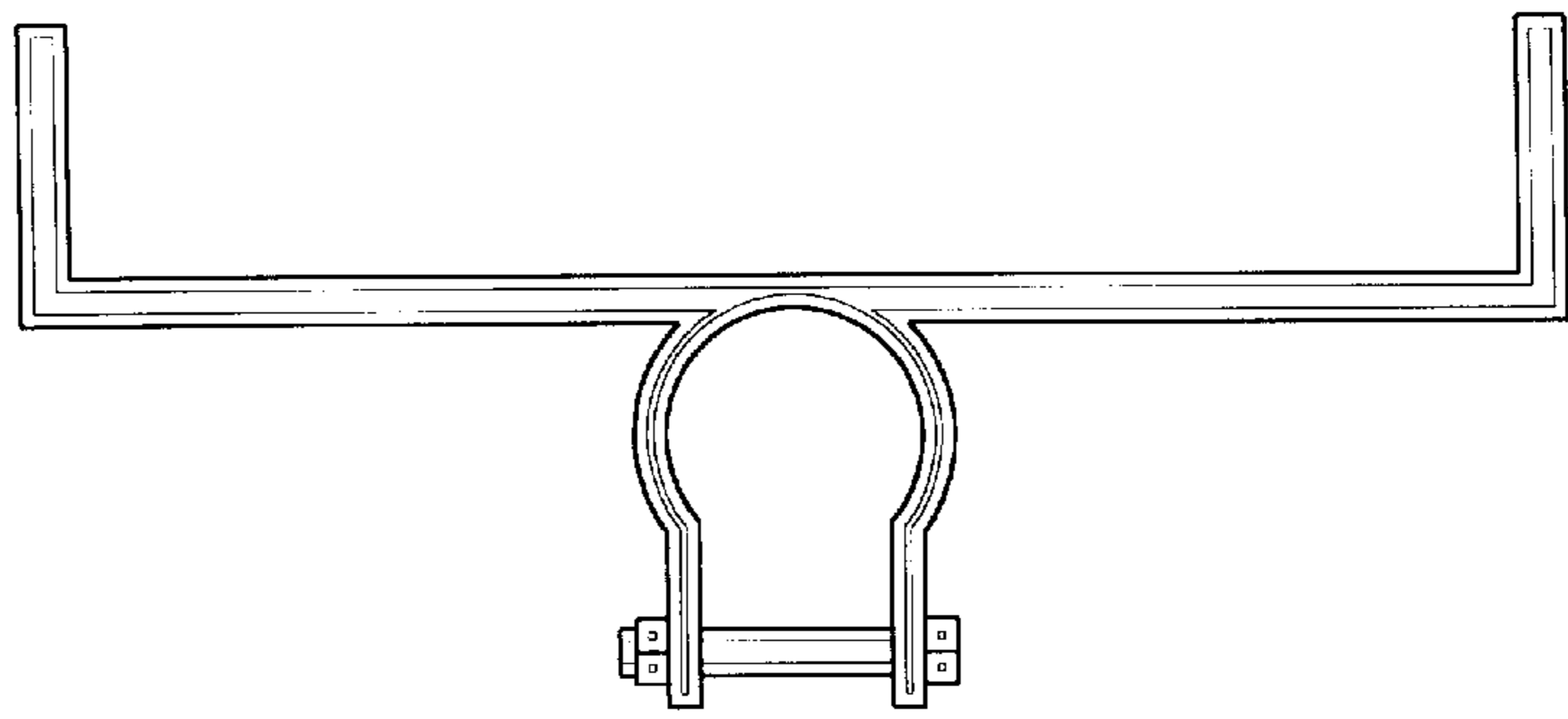


Fig. 3

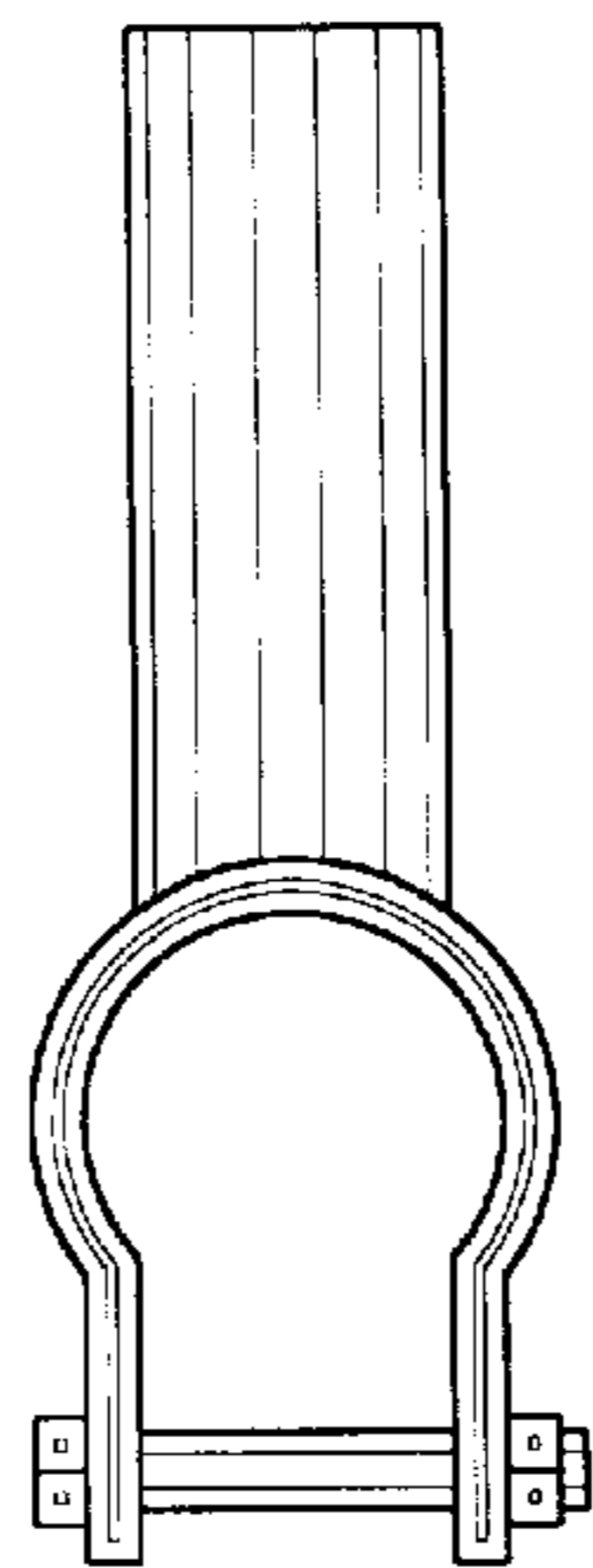
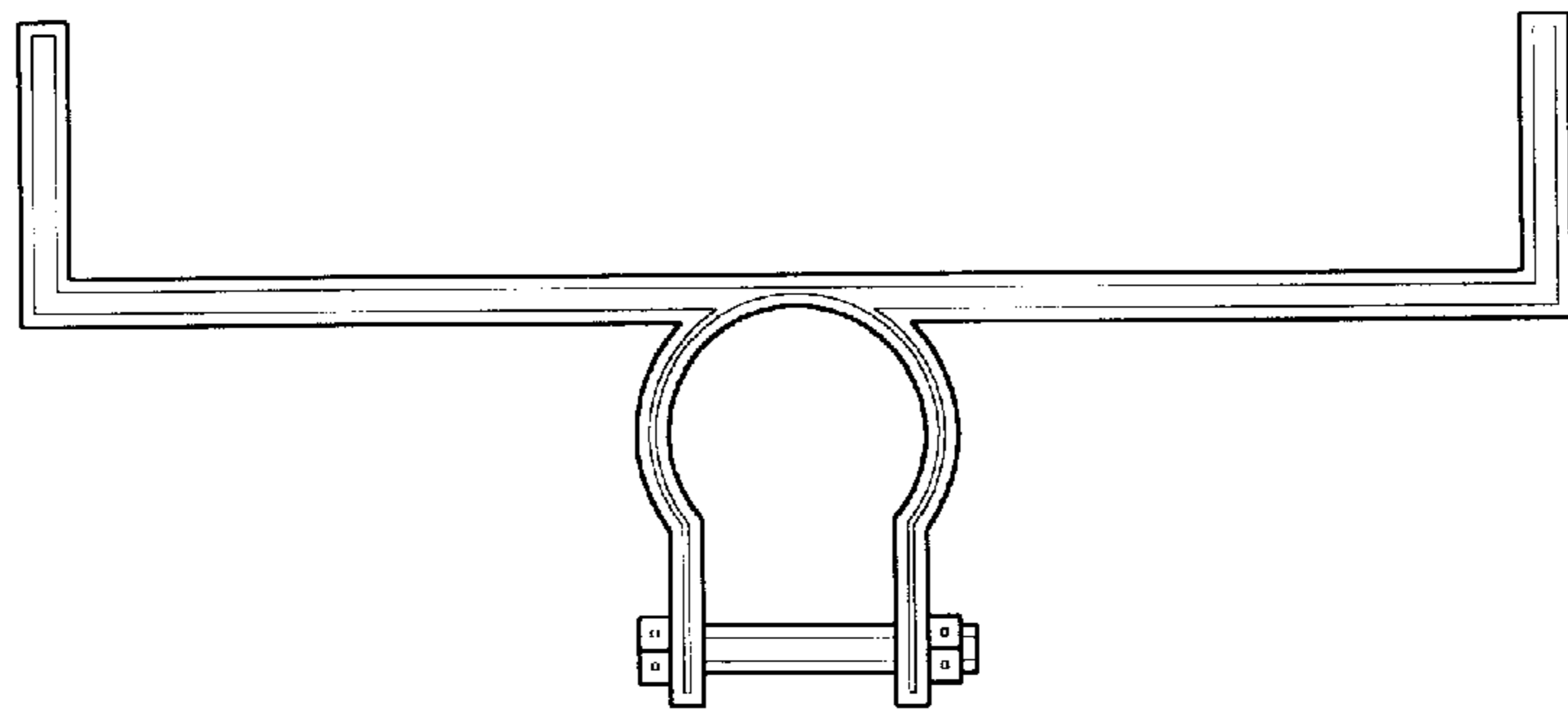


Fig. 4

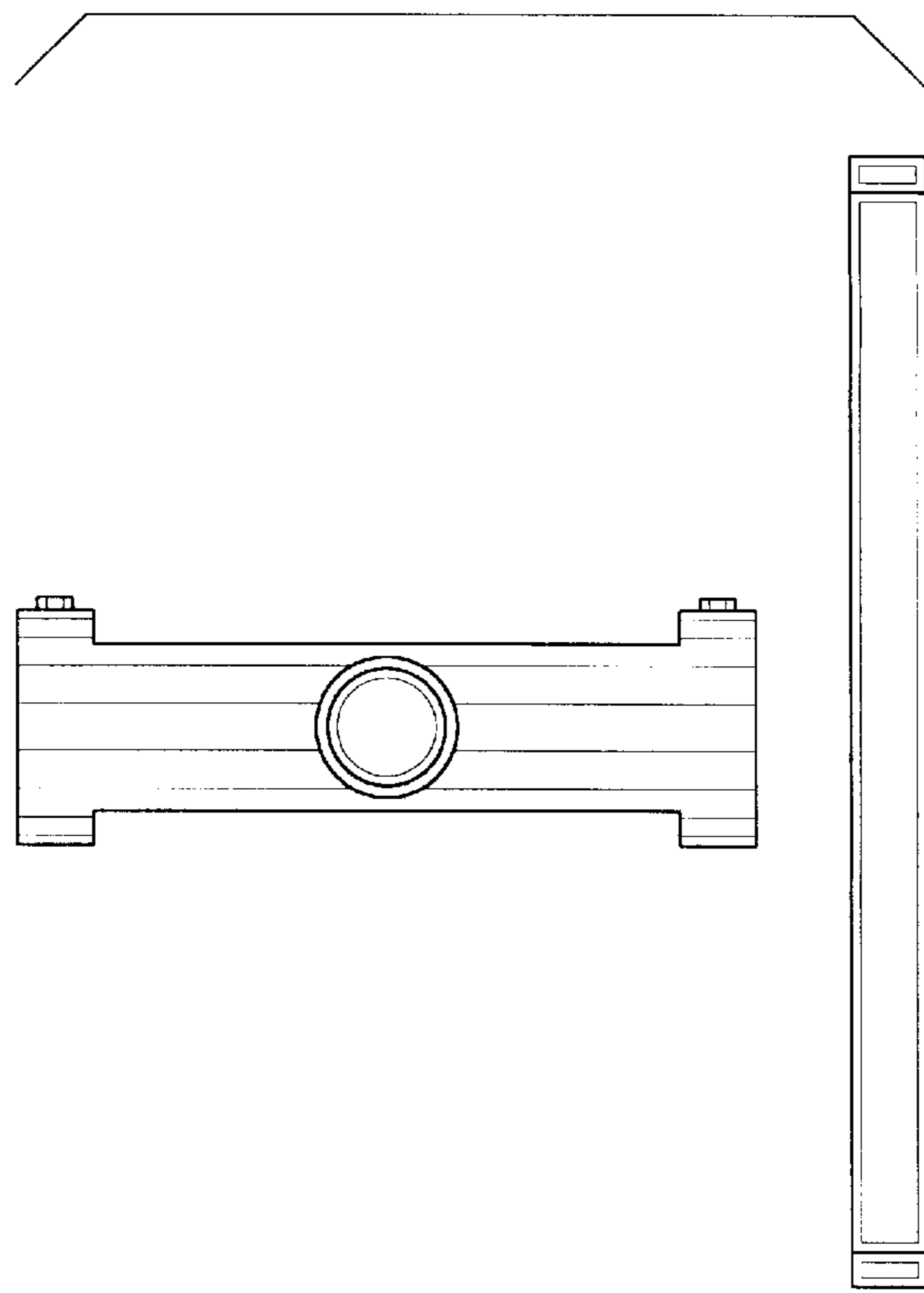


Fig. 5

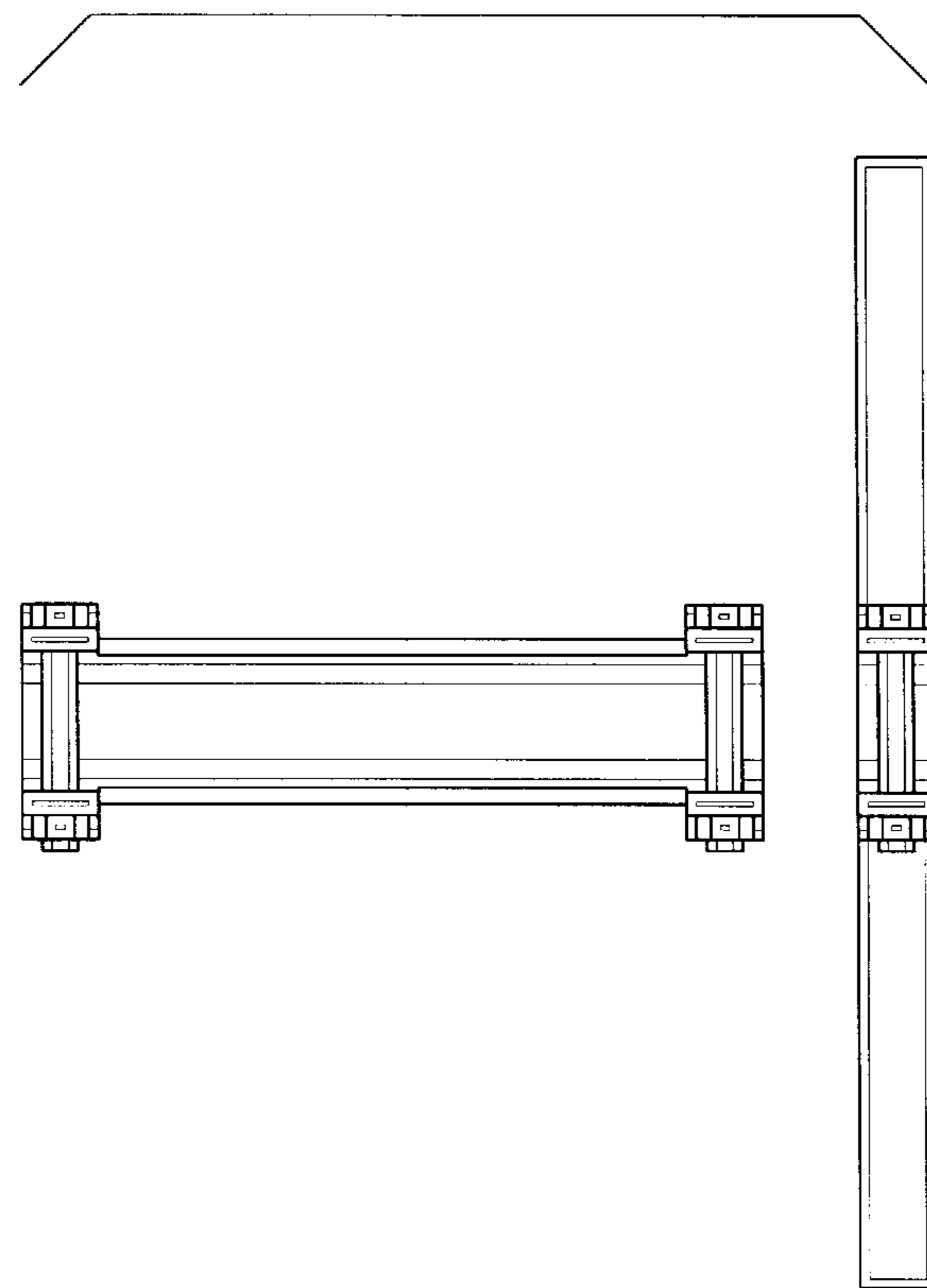


Fig. 6