



US00D397963S

# United States Patent [19]

[11] **Patent Number: Des. 397,963**

**Hurayt et al.**

[45] **Date of Patent: \*\*Sep. 8, 1998**

[54] **VEHICLE ROOF PANEL SECTION INTERIOR SURFACE**

*Attorney, Agent, or Firm*—Klarquist Sparkman Campbell Leigh & Winston

[75] Inventors: **Mark S. Hurayt**, Aloha; **Christopher J. Jory**, Portland, both of Oreg.

[57] **CLAIM**

The ornamental design for a vehicle roof panel section interior surface, as shown and described.

[73] Assignee: **Freightliner Corporation**, Portland, Oreg.

**DESCRIPTION**

[\*\*] Term: **14 Years**

[21] Appl. No.: **52,803**

FIG. 1 is a front perspective view of a vehicle roof panel section interior surface showing our new design, the broken lines are shown for illustrative purposes only and form no part of the claimed design;

[22] Filed: **Apr. 9, 1996**

[51] **LOC (6) Cl.** ..... **12-08**

FIG. 2 is a front view of the roof panel section interior surface of FIG. 1;

[52] **U.S. Cl.** ..... **D12/96**

[58] **Field of Search** ..... D12/196, 96, 181; 296/180.1, 180.2, 37.7; 180/90

FIG. 3 is a bottom view of the roof panel interior surface of FIG. 1;

[56] **References Cited**

FIG. 4 is a front view of a vehicle roof panel section interior surface showing a second embodiment of our new design; and,

**U.S. PATENT DOCUMENTS**

D. 276,710	12/1984	Brunger et al.	.....	D12/96
D. 296,885	7/1988	Higgins	.....	D12/221
4,357,045	11/1982	Kenford Jr.	.....	296/180.2
4,611,796	9/1986	Orr	.....	296/180.2
4,957,322	9/1990	Marlowe et al.	.....	296/180.2

FIG. 5 is a bottom view of the roof panel interior surface of FIG. 4 with the optional overhead lamp receiving openings also removed.

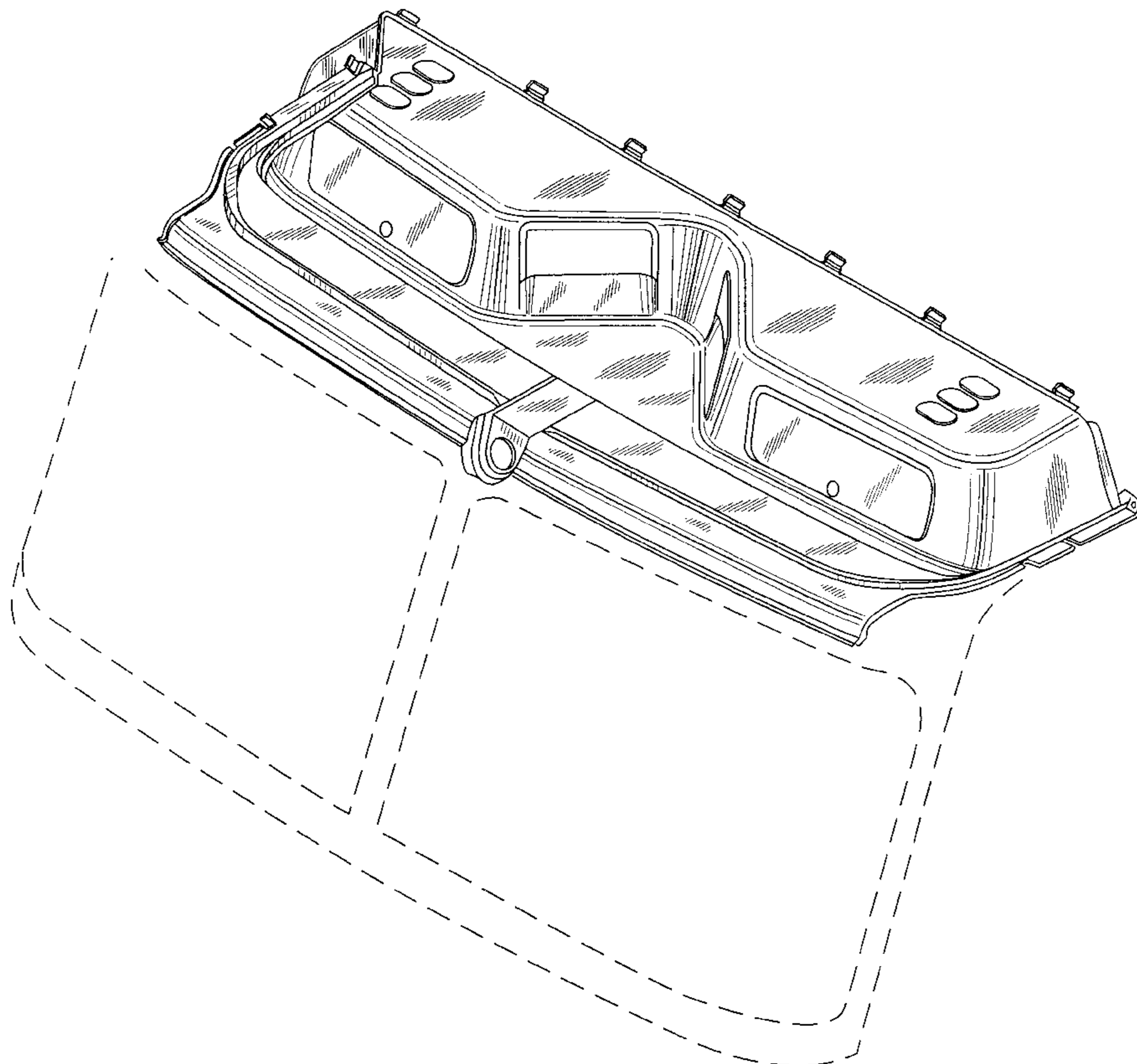
**OTHER PUBLICATIONS**

The side view views of the second embodiment are the same as in FIG. 1. The entire exterior surface of both embodiments are not visible in its normal or intended use.

Color photocopies showing portions of the interior of a prior art truck.

*Primary Examiner*—Melody N. Brown

**1 Claim, 3 Drawing Sheets**



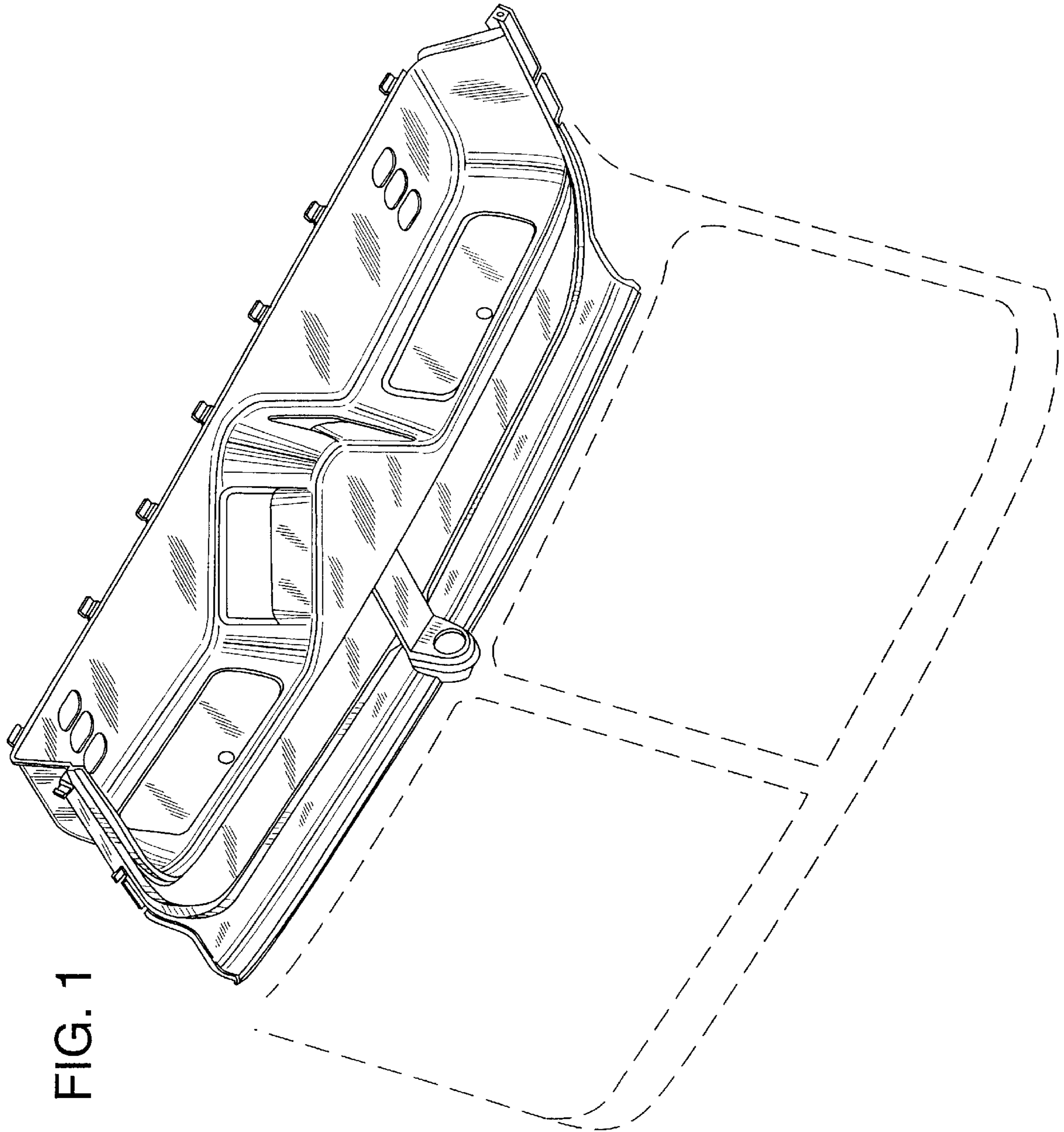


FIG. 1

FIG. 2

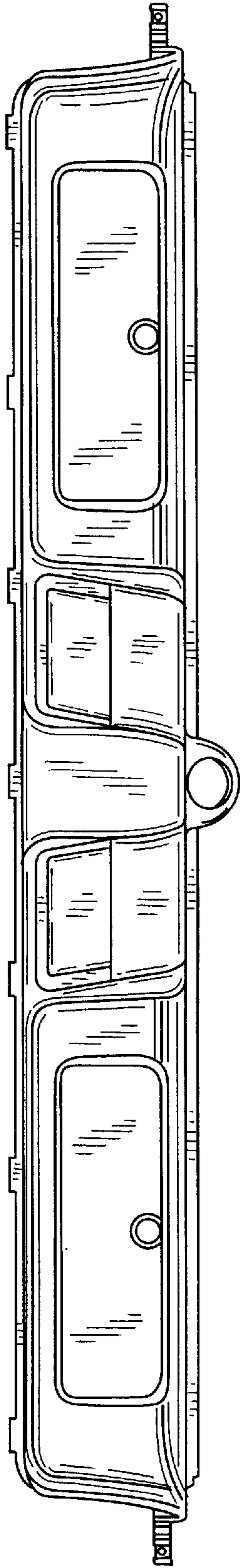


FIG. 3

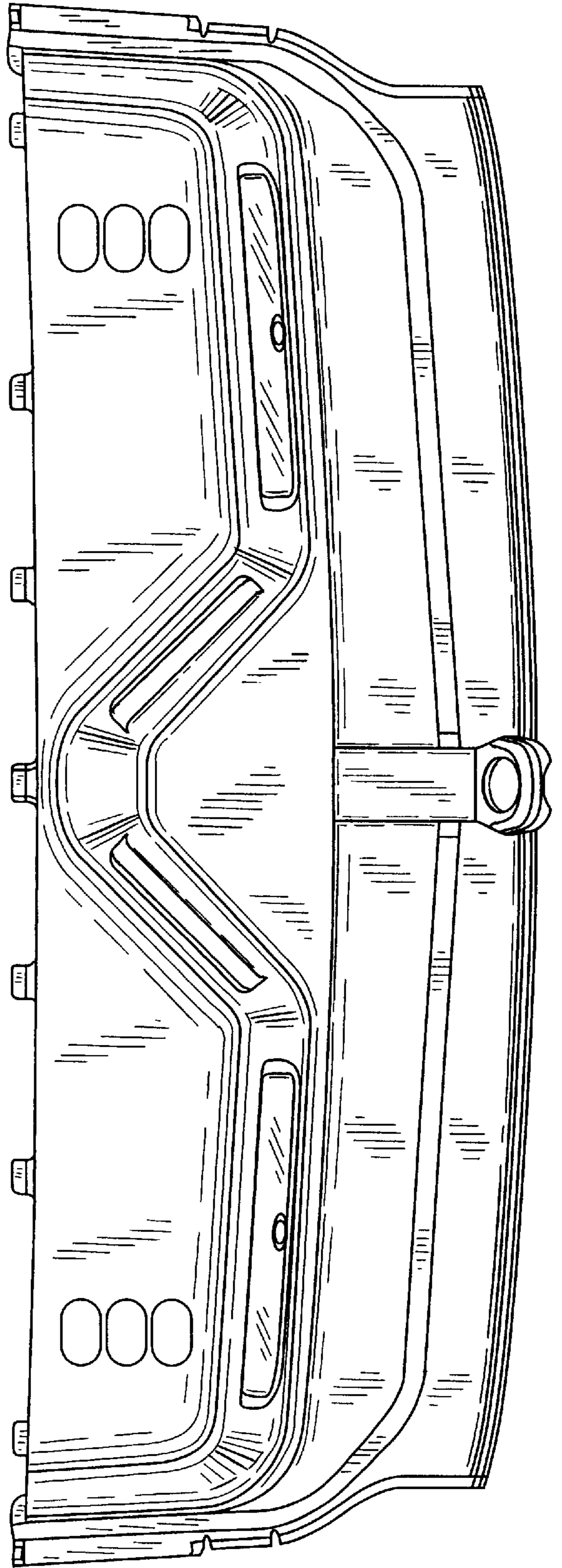


FIG. 4

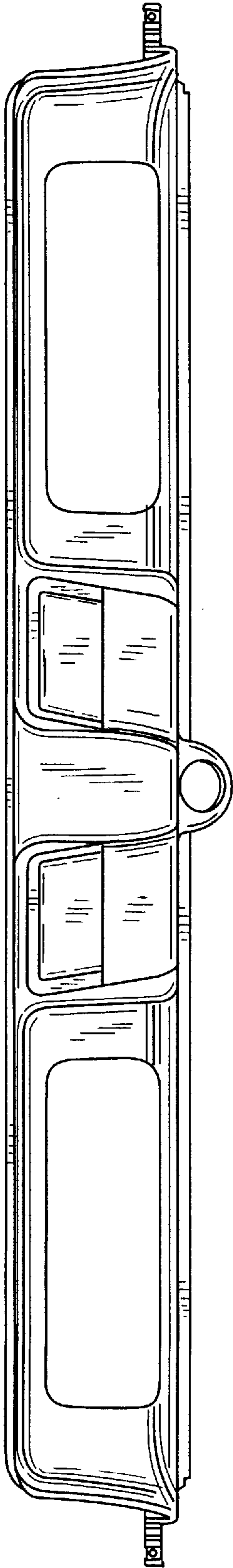


FIG. 5

