



US00D397962S

United States Patent [19]

Herner et al.

[11] **Patent Number: Des. 397,962**

[45] **Date of Patent: **Sep. 8, 1998**

[54] **AUTOMOBILE**

D. 379,946 6/1997 Tanabe et al. D12/92
D. 379,947 6/1997 Ichinose et al. D12/92

[75] Inventors: **Don Herner**, Rancho Palos Verdes;
Eric Schumaker; William Yex, both of
Redondo Beach, all of Calif.

Primary Examiner—Melody N. Brown
Attorney, Agent, or Firm—Nikaido, Marmelstein, Murray &
Oram LLP

[73] Assignee: **Honda Giken Kogyo Kabushiki
Kaisha**, Tokyo, Japan

[57] CLAIM

[**] Term: **14 Years**

The ornamental design for an automobile, as shown and
described.

[21] Appl. No.: **69,018**

DESCRIPTION

[22] Filed: **Apr. 23, 1997**

FIG. 1 is a front-left side perspective view of an automobile
showing our new design;

[51] **LOC (6) Cl. 12-08**

FIG. 2 is a rear-left side perspective view thereof;

[52] **U.S. Cl. D12/92**

FIG. 3 is a left side view thereof, the right side being the
same;

[58] **Field of Search D12/90-92; 296/185**

FIG. 4 is a rear view thereof;

[56] References Cited

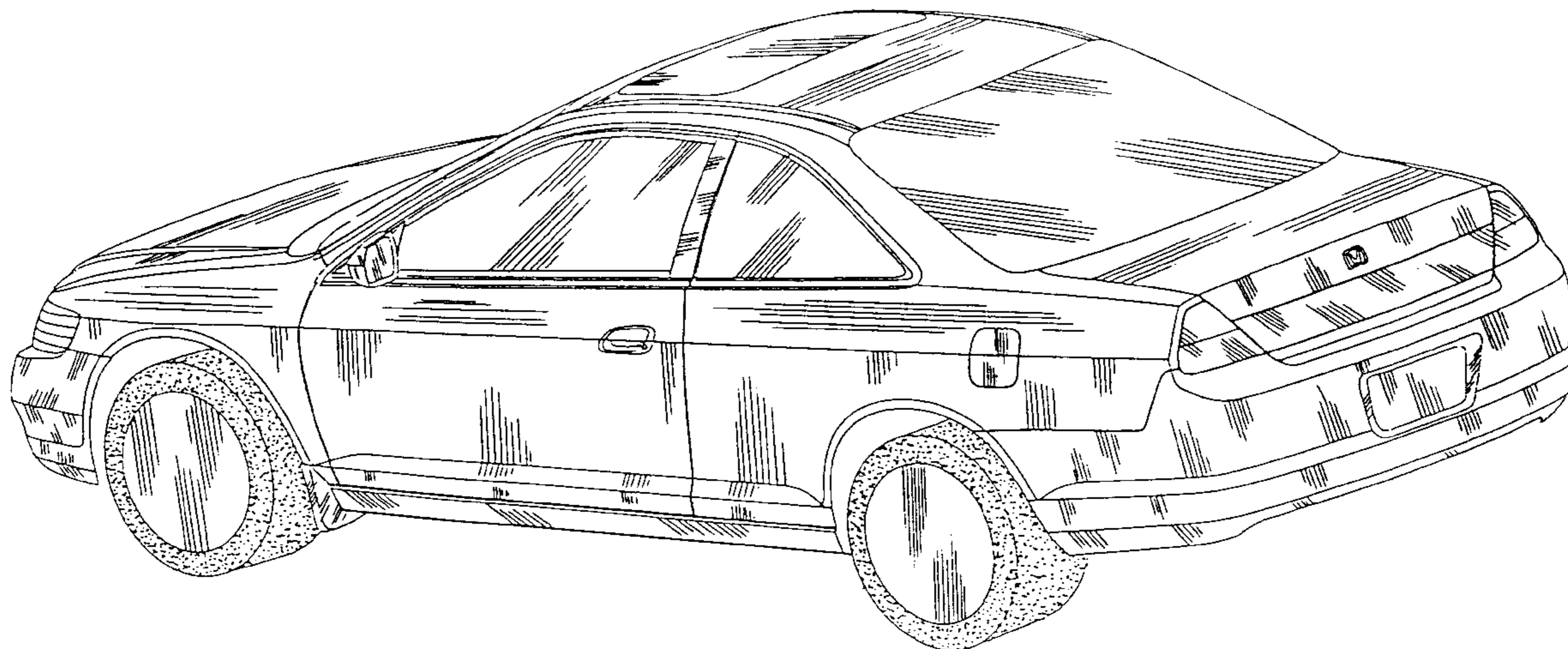
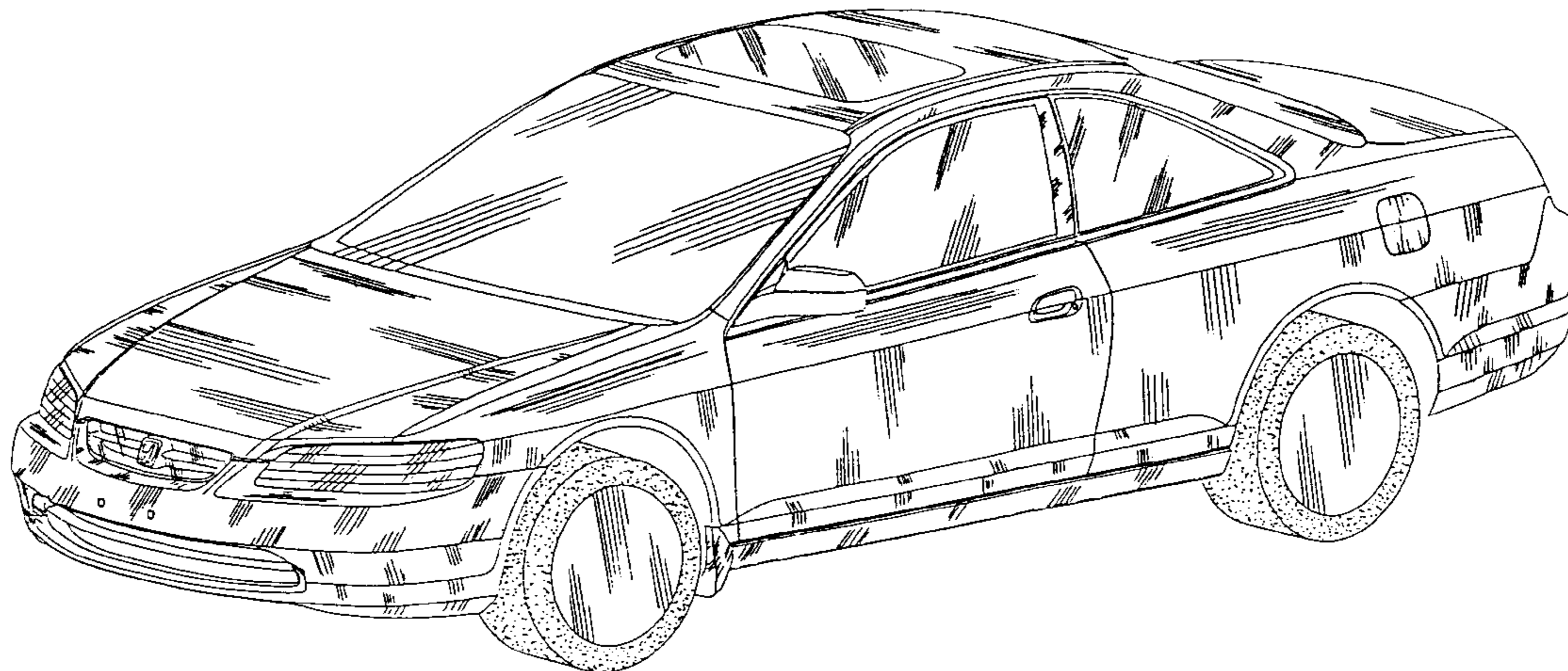
FIG. 5 is a front view thereof; and,

U.S. PATENT DOCUMENTS

FIG. 6 is a top view thereof.

D. 347,806 6/1994 Kurosu et al. D12/92
D. 373,333 9/1996 Iskibashi et al. D12/92

1 Claim, 6 Drawing Sheets



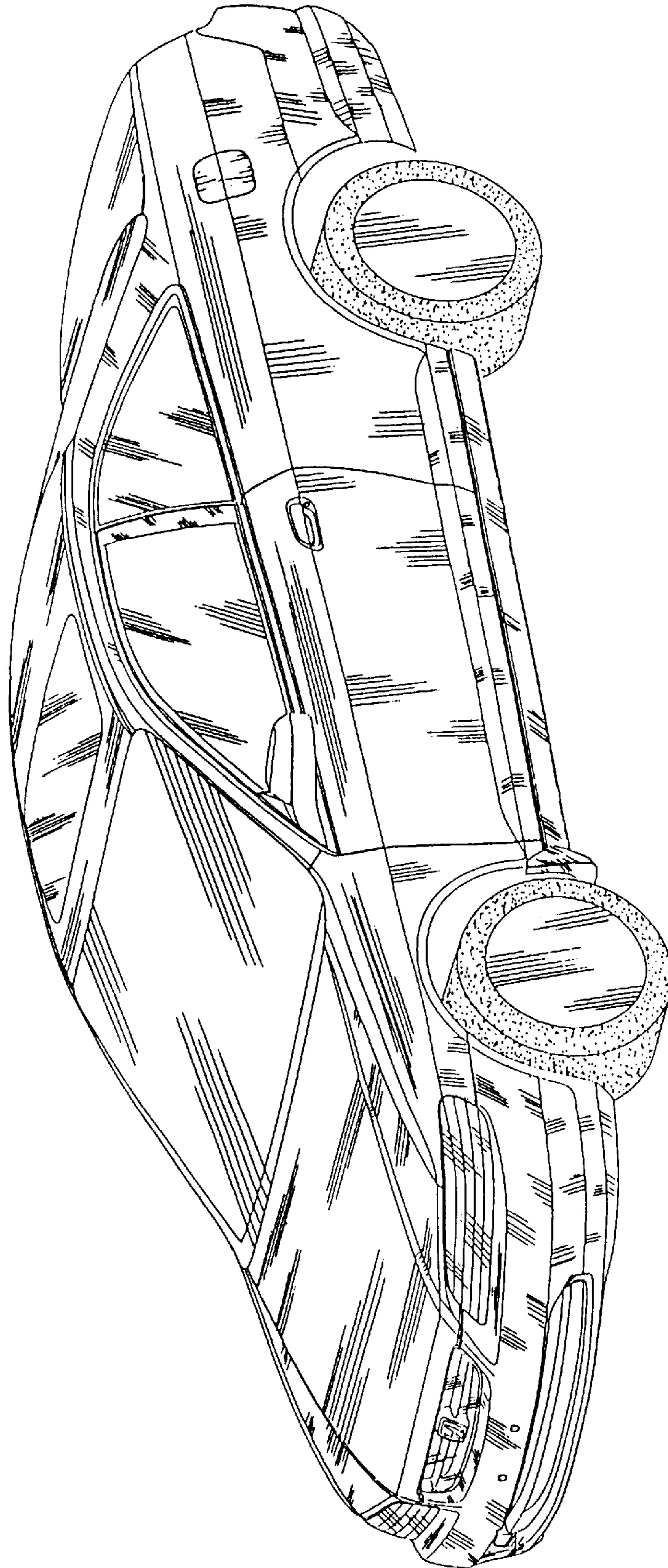


FIG. 1

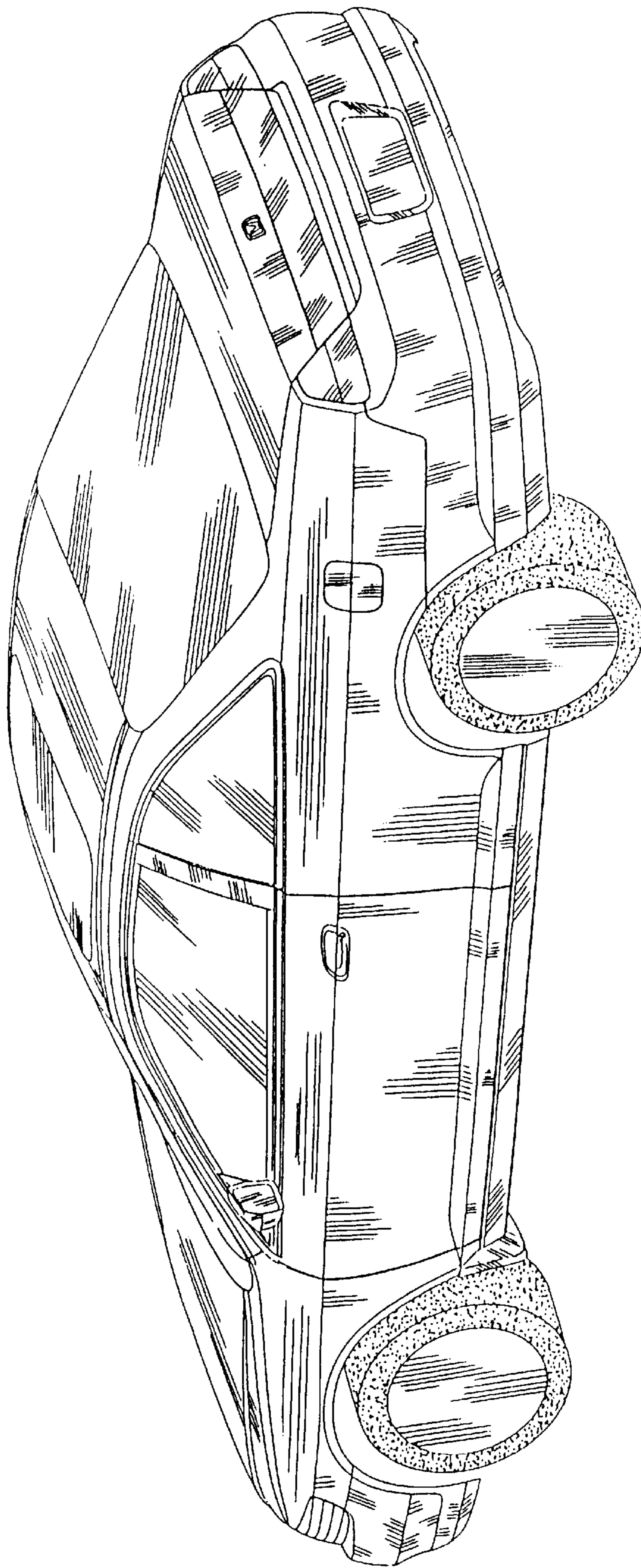


FIG. 2

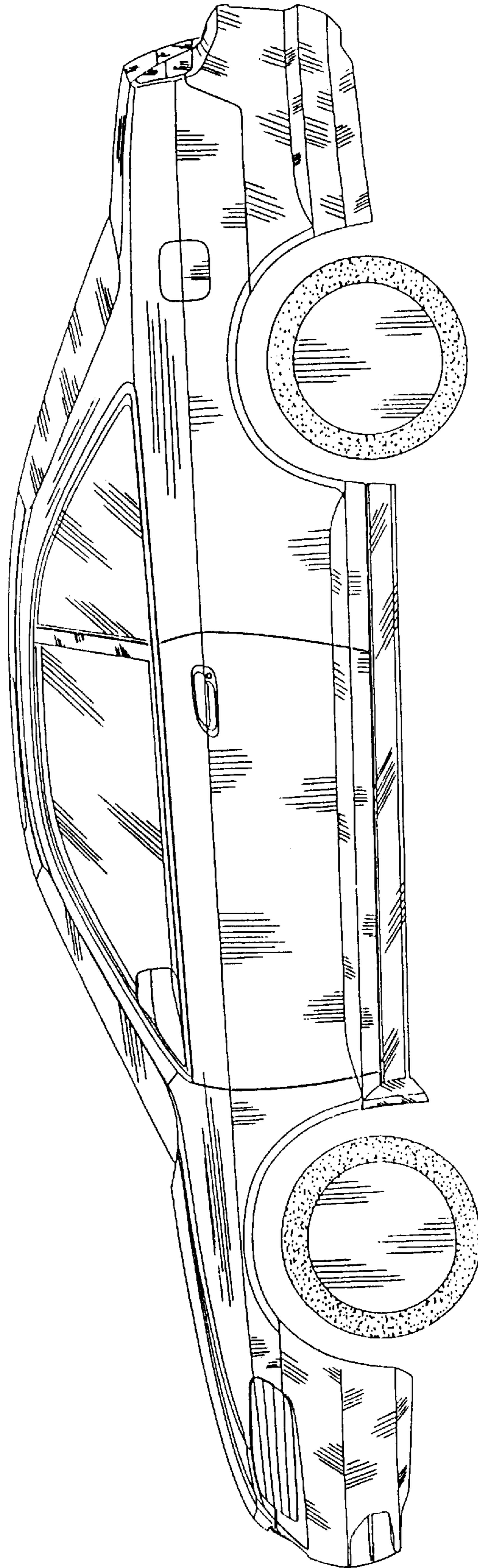


FIG. 3

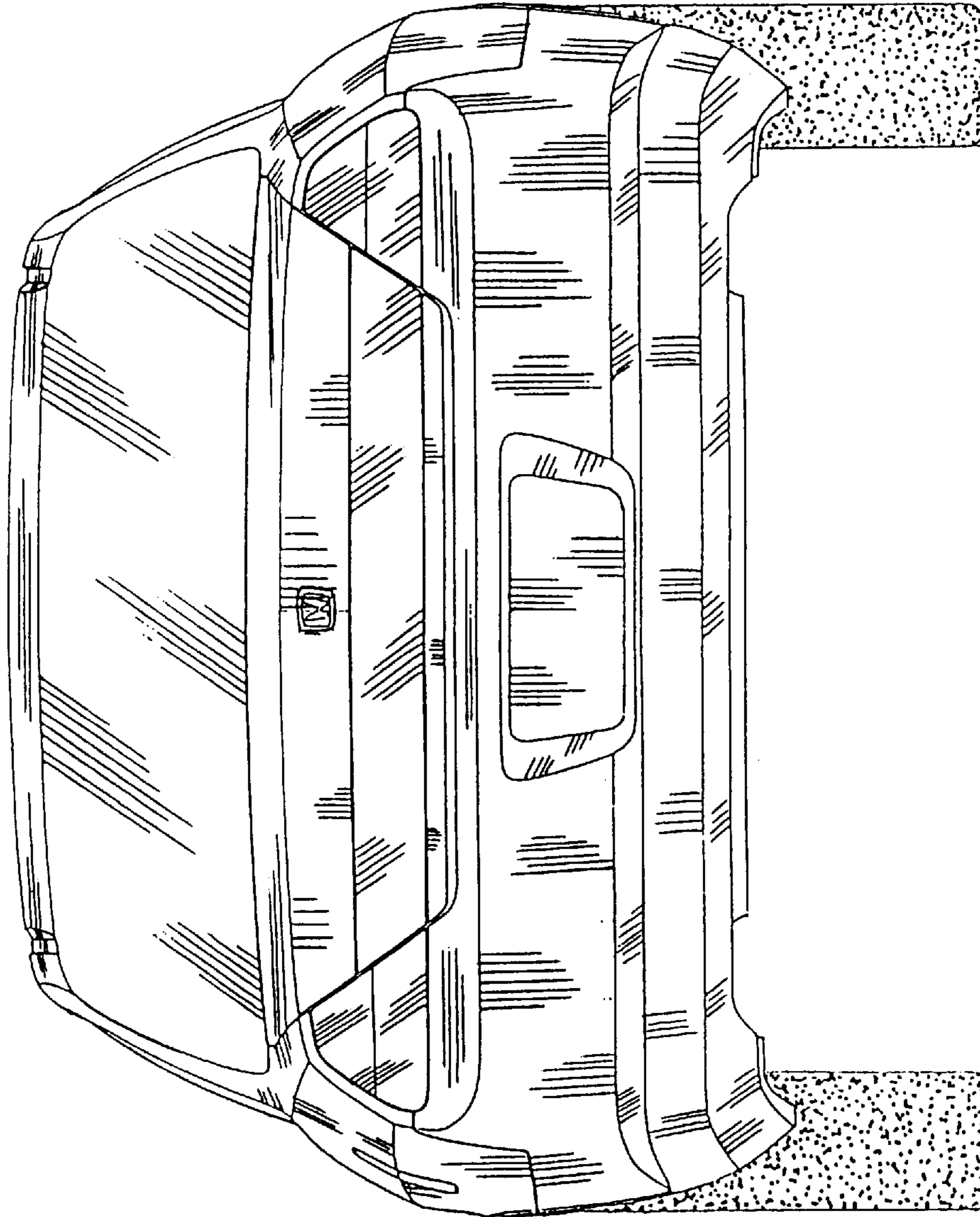


FIG. 4

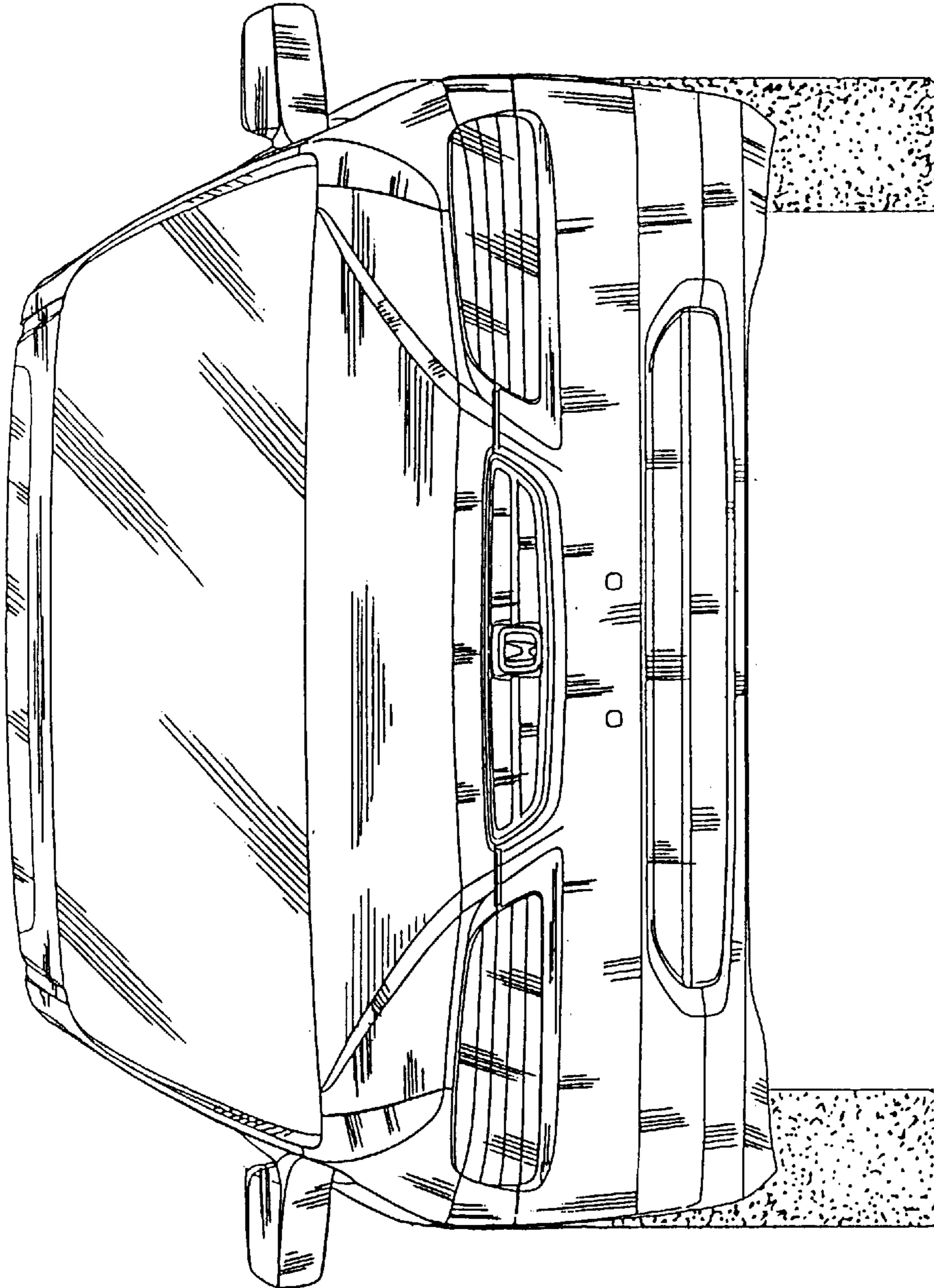


FIG. 5

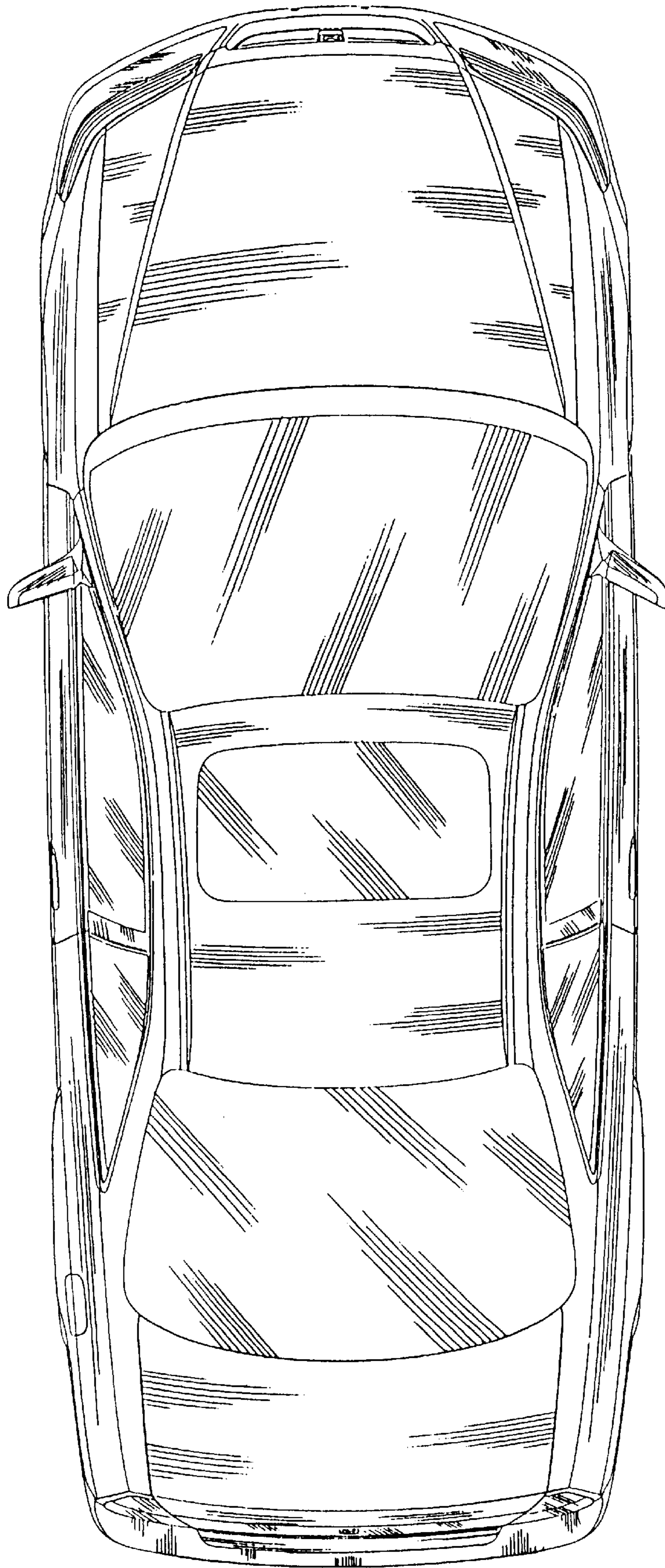


FIG. 6