



US00D397960S

United States Patent [19] Brown

[11] Patent Number: **Des. 397,960**

[45] Date of Patent: ****Sep. 8, 1998**

[54] **INTERCHANGEABLE BUTTON**

1,328,628 1/1920 Jillard D11/222

[76] Inventor: **Danny R. Brown**, 10459 Artesia BL
50C, Bellflower, Calif. 90706

Primary Examiner—Ralf Seifert

[**] Term: **14 Years**

[57] **CLAIM**

The ornamental design for a interchangeable button, as shown.

[21] Appl. No.: **76,023**

[22] Filed: **Aug. 29, 1997**

DESCRIPTION

[51] **LOC (6) Cl.** **02-07**

FIG. 1 is a front elevational view of an interchangeable button showing my new design;

[52] **U.S. Cl.** **D11/222**

FIG. 2 is a back elevational view of the interchangeable button of FIG. 1;

[58] **Field of Search** D11/200, 222-228,
D11/81, 86; 24/92, 94, 95, 90.1, 90.5

FIG. 3 is a left side elevational view of the interchangeable button of FIG. 1;

[56] **References Cited**

U.S. PATENT DOCUMENTS

- D. 130,852 12/1941 Rothschild D11/223
- D. 151,611 11/1948 Drell D11/223
- D. 186,946 12/1959 Schuessler D11/81
- D. 237,723 11/1975 Sweet D11/81
- D. 238,811 2/1976 Ziglar D11/48
- D. 242,644 12/1976 Spruck D11/81
- D. 250,932 1/1979 Anderson D11/96
- D. 295,027 4/1988 Malone D11/96

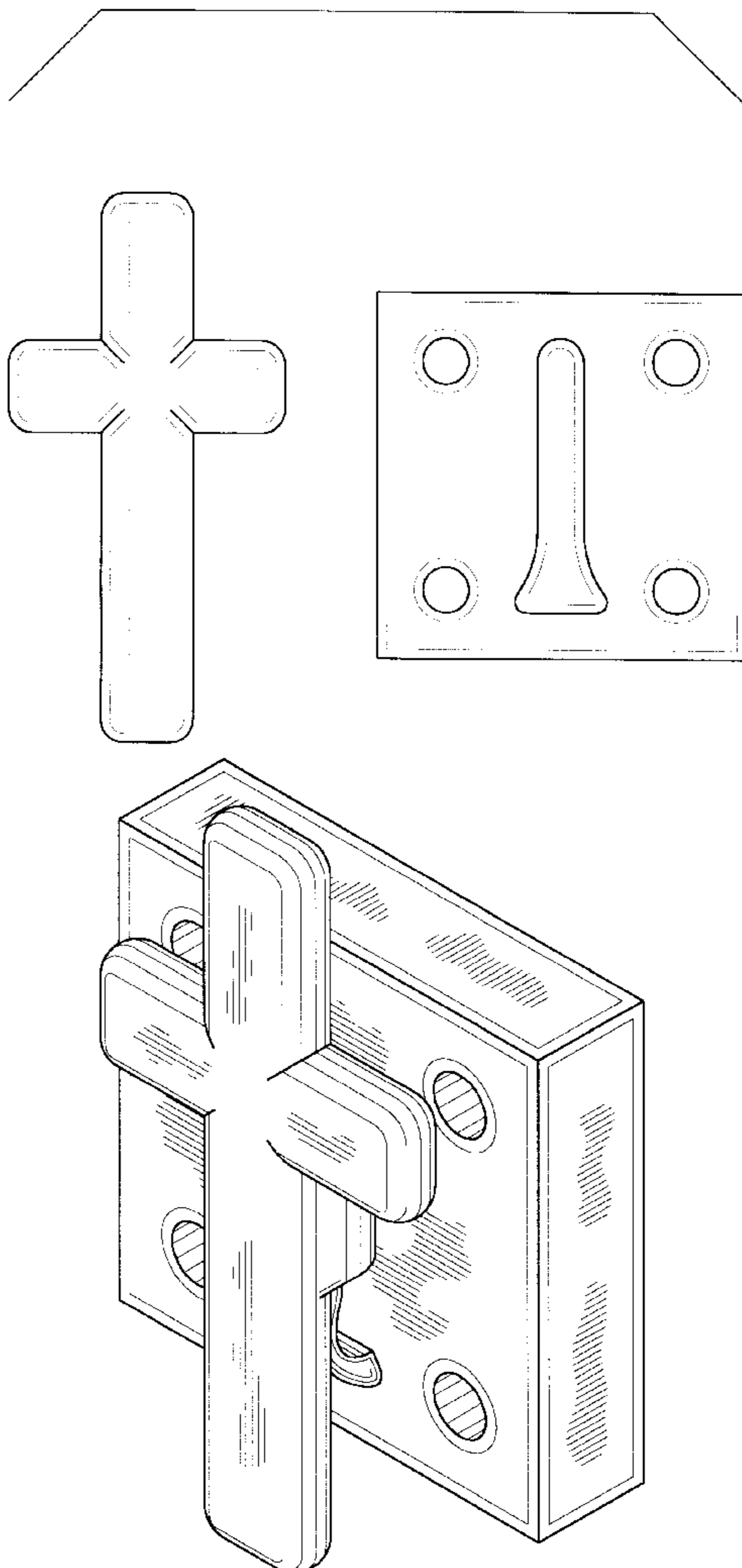
FIG. 4 is a right side elevational view of the interchangeable button of FIG. 1;

FIG. 5 is a top plan view of the interchangeable button of FIG. 1; and,

FIG. 6 is a bottom plan view of the interchangeable button of FIG. 1; and,

FIG. 7 is a top, front, right side perspective view of the assembled interchangeable button of FIG. 1.

1 Claim, 4 Drawing Sheets



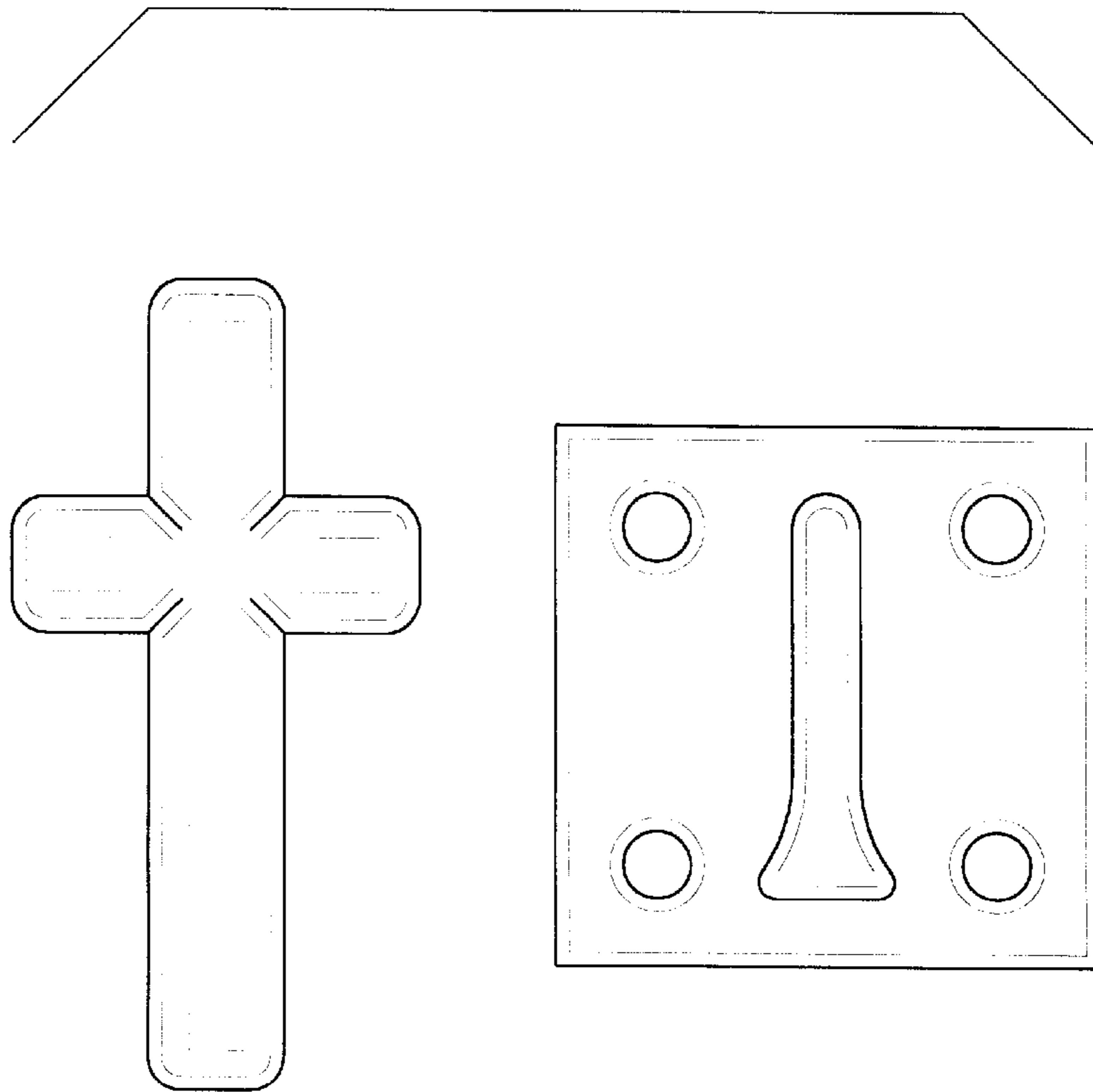


Fig. 1

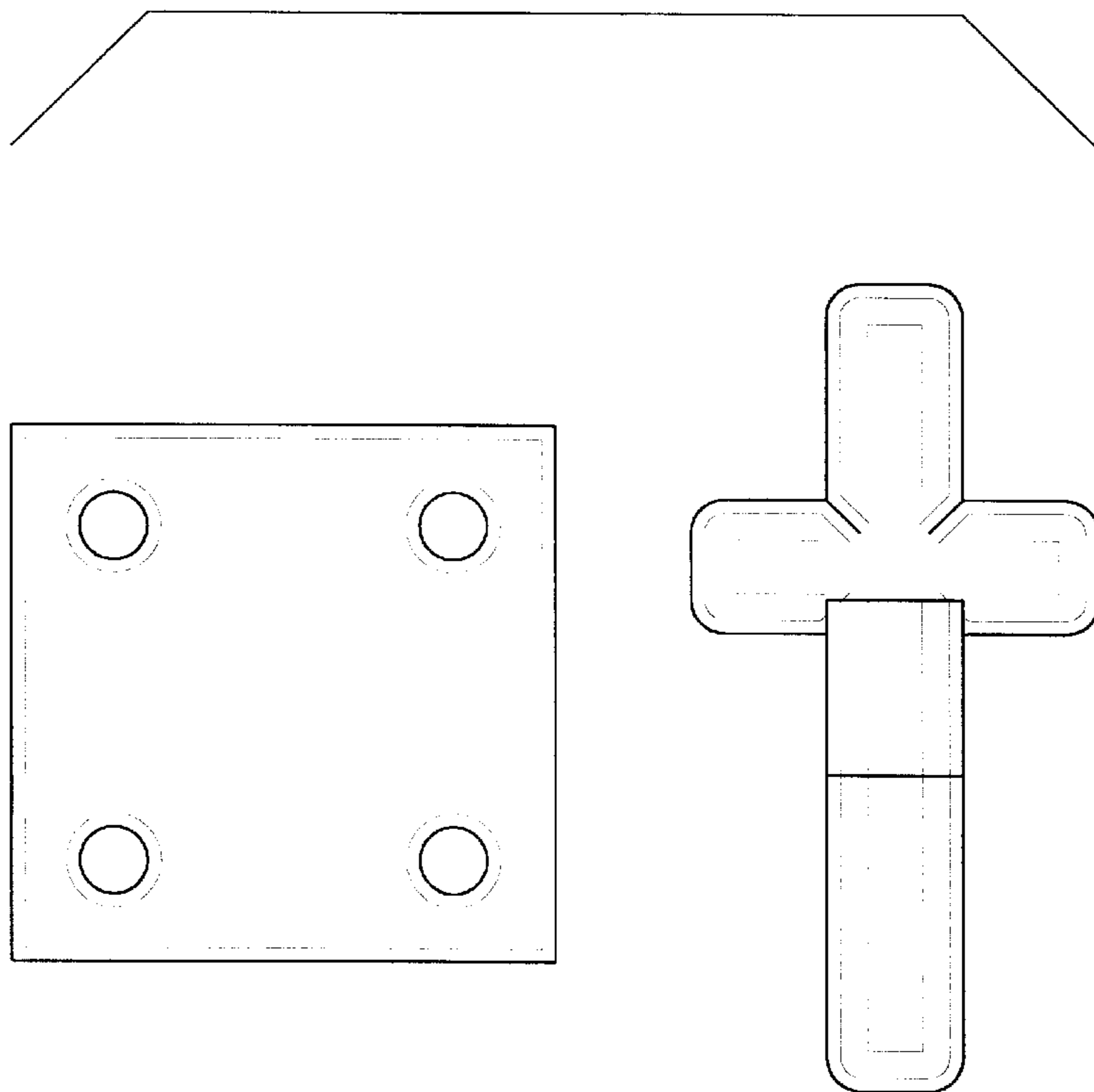


Fig. 2

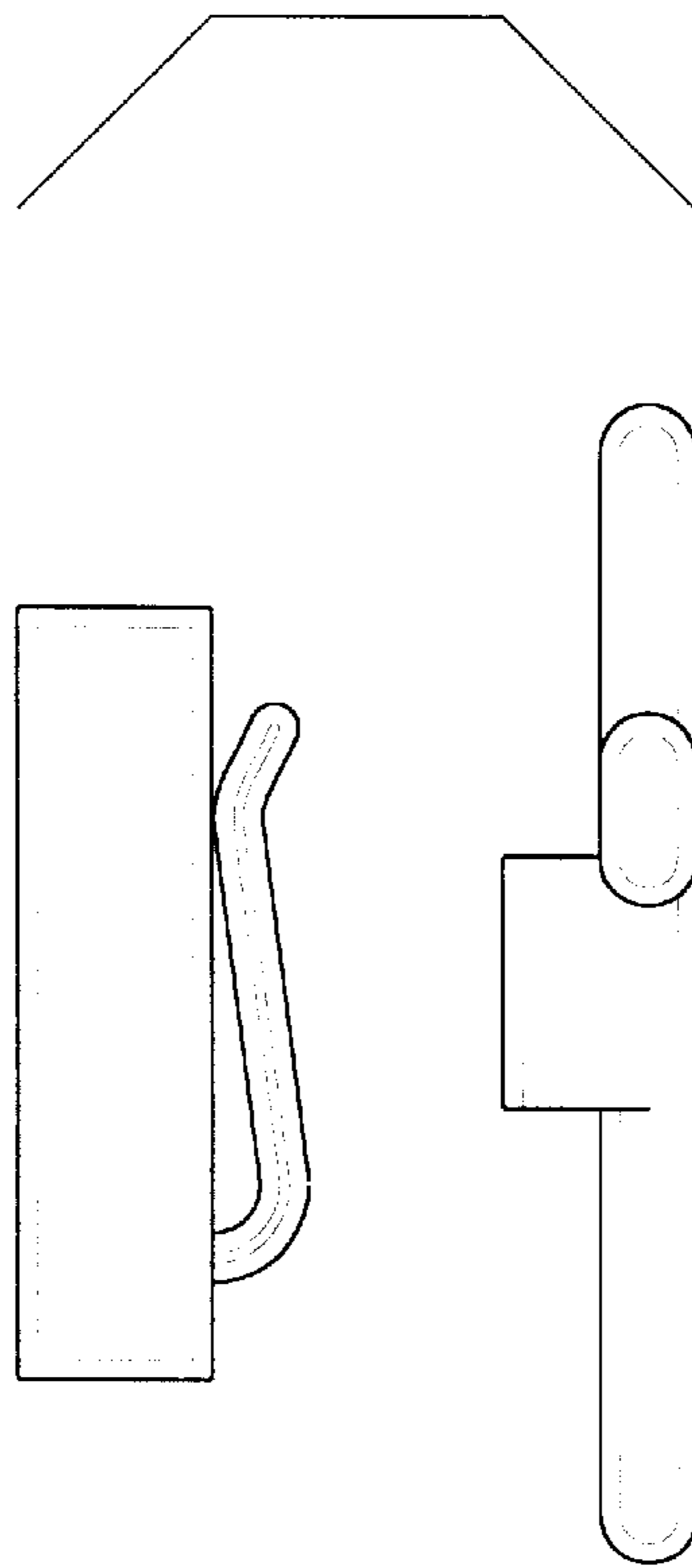


Fig. 3

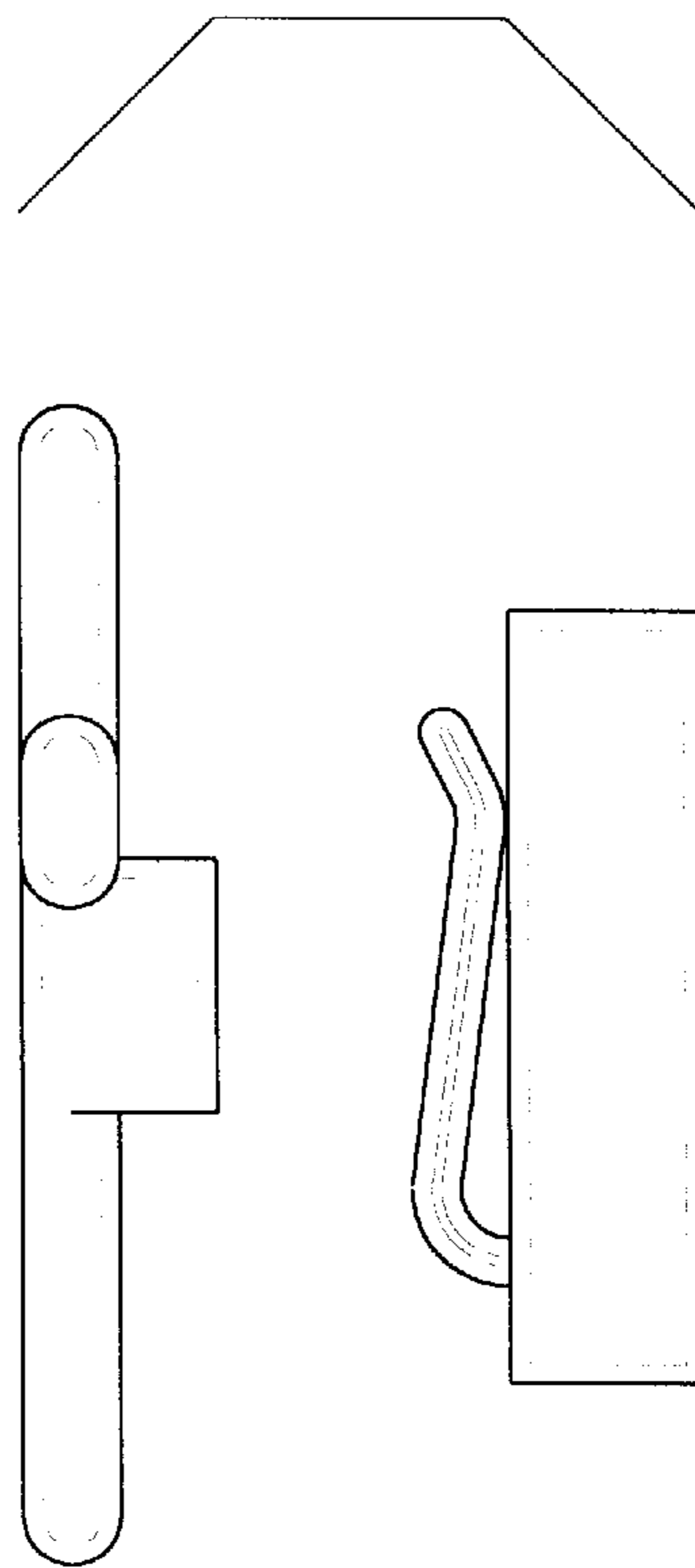


Fig. 4

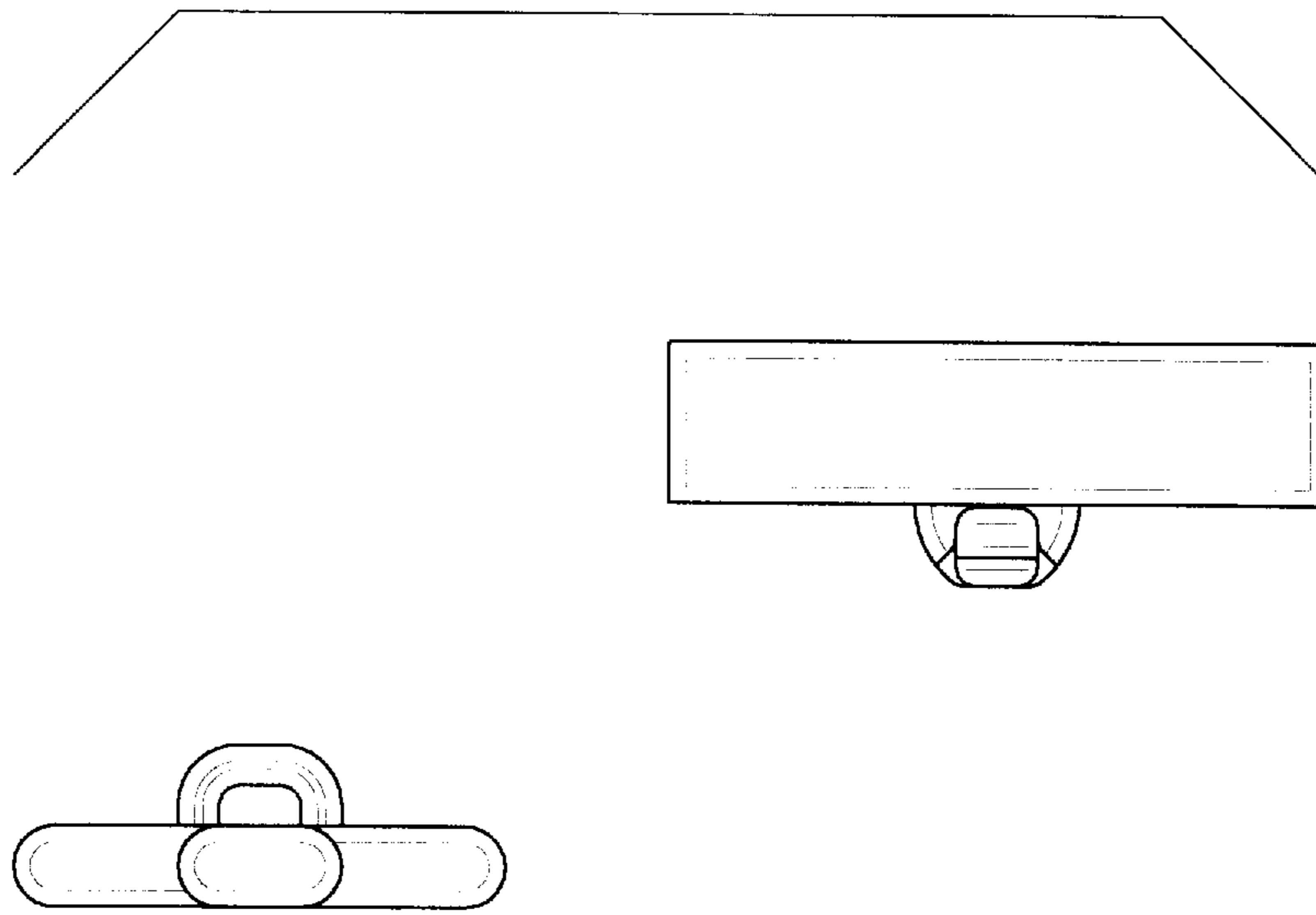


Fig. 5

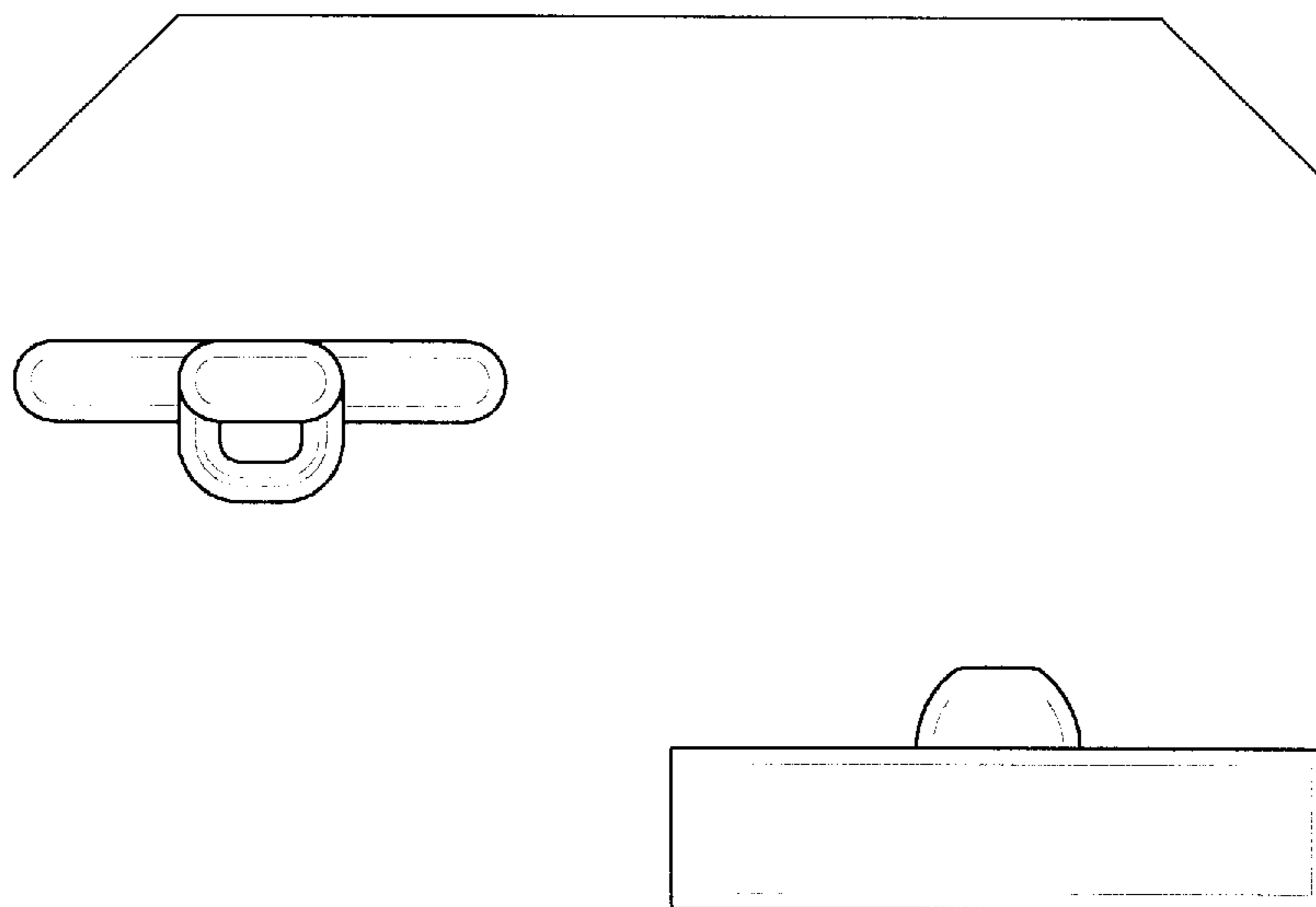


Fig. 6

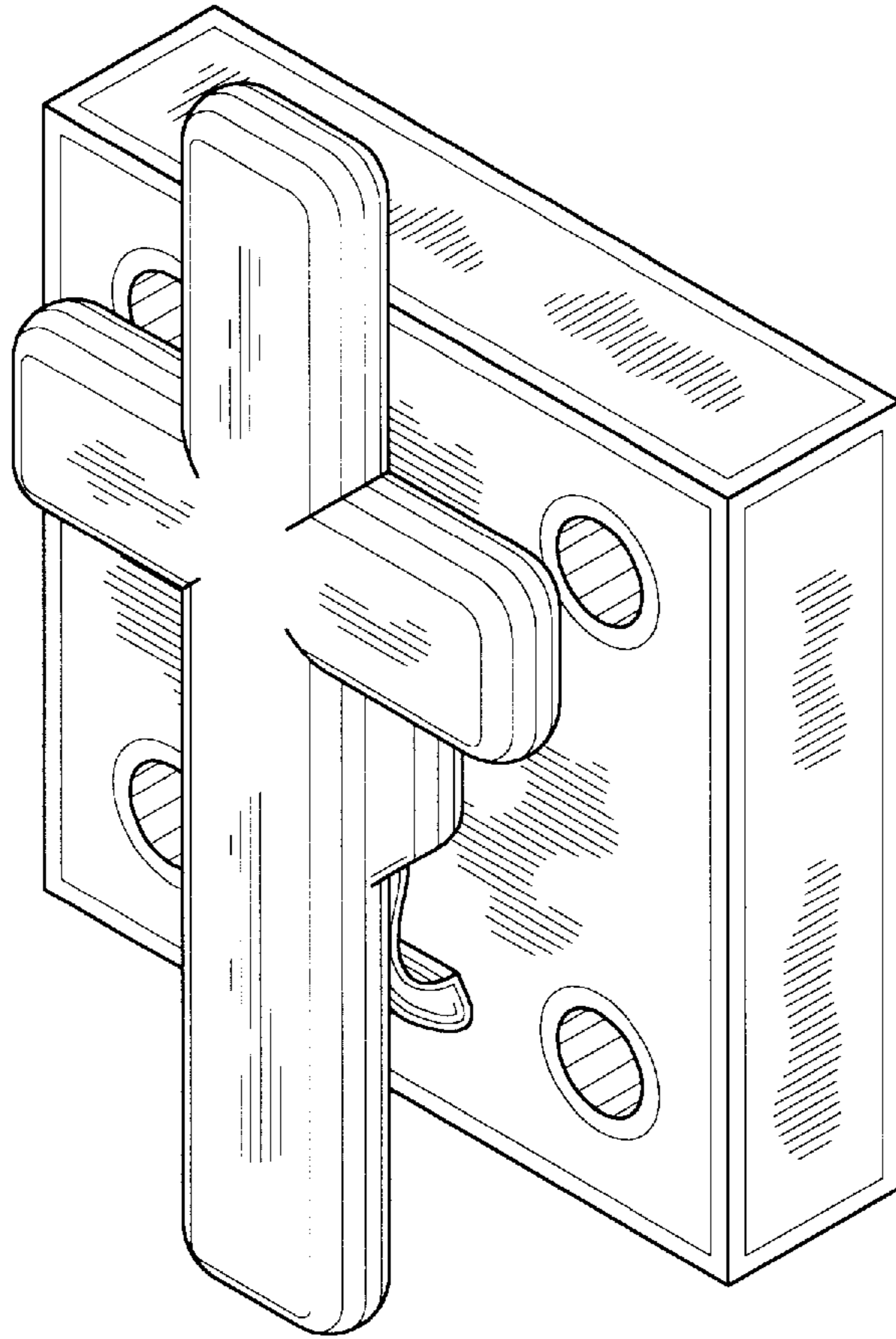


Fig. 7