



US00D397959S

# United States Patent [19]

Terasaki et al.

[11] **Patent Number:** **Des. 397,959**

[45] **Date of Patent:** **\*\*Sep. 8, 1998**

[54] **SLIDE FASTENER SLIDER**

[75] Inventors: **Ichiro Terasaki**, Uozu; **Hisashi Yoneshima**, Shimoniikawa-gun; **Koji Yamagishi**, Namerikawa, all of Japan

[73] Assignee: **YKK Corporation**, Tokyo, Japan

[\*\*] Term: **14 Years**

[21] Appl. No.: **76,539**

[22] Filed: **Sep. 12, 1997**

[30] **Foreign Application Priority Data**

Mar. 13, 1997 [JP] Japan ..... 9-7281

[51] **LOC (6) Cl.** ..... **02-07**

[52] **U.S. Cl.** ..... **D11/221**

[58] **Field of Search** ..... D11/200, 221;  
24/381, 421, 425

[56] **References Cited**

**U.S. PATENT DOCUMENTS**

D. 291,670 9/1987 Takabatake ..... D11/221  
D. 305,106 12/1989 Aoki ..... D11/221

D. 386,720 11/1997 Yaguramaki ..... D11/221  
D. 388,022 12/1997 Yaguramaki ..... D11/221  
2,686,947 8/1954 Schuchardt ..... 24/416  
3,320,645 5/1967 Burbank ..... 24/421  
3,426,398 2/1969 Morris et al. .... 24/422

*Primary Examiner*—Ralf Seifert  
*Attorney, Agent, or Firm*—Hill & Simpson

[57] **CLAIM**

The ornamental design for “slide fastener slider” substantially, as shown.

**DESCRIPTION**

FIG. 1 is a front view of a slide fastener slider; FIG. 2 is a rear view of the slide fastener slider of FIG. 1; FIG. 3 is a plan view of the slide fastener slider of FIG. 1; FIG. 4 is a base view of the slide fastener slider of FIG. 1; FIG. 5 is a right side view of the slide fastener slider of FIG. 1; FIG. 6 is a cross-sectional view taken on line A—A' of FIG. 1; FIG. 7 is a perspective view of the slide fastener slider of FIG. 1, but showing the slider having a pull tab attached thereto.

**1 Claim, 3 Drawing Sheets**

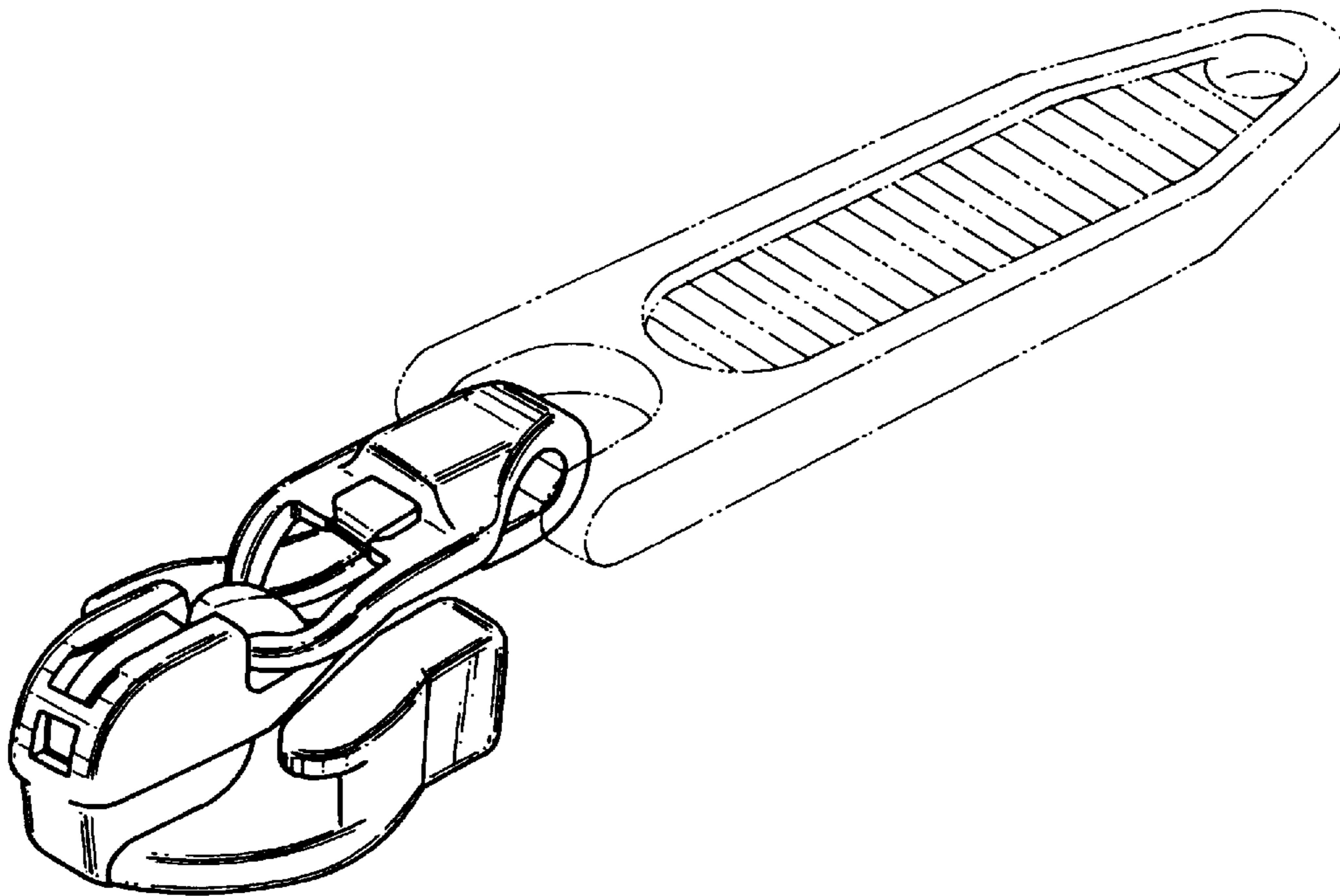


FIG.1

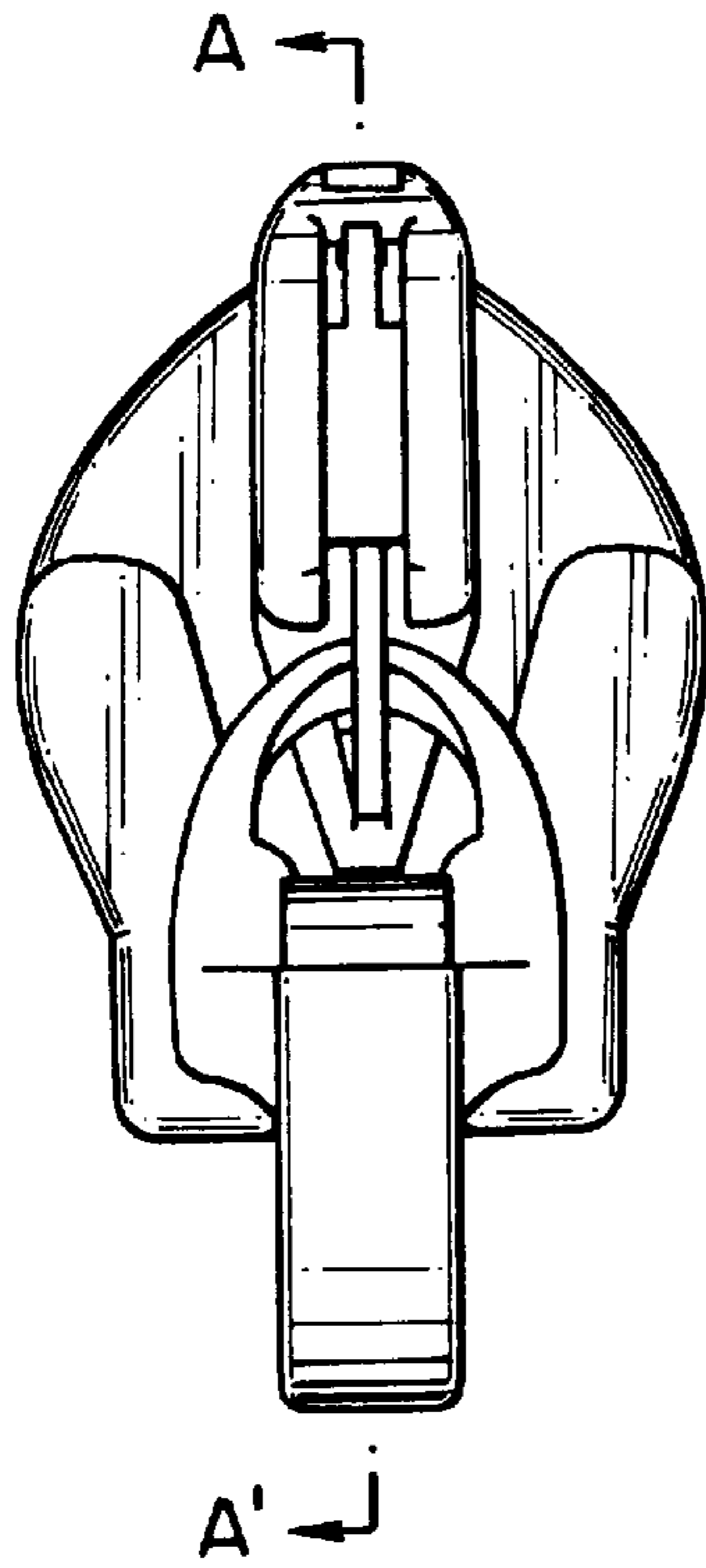


FIG.2

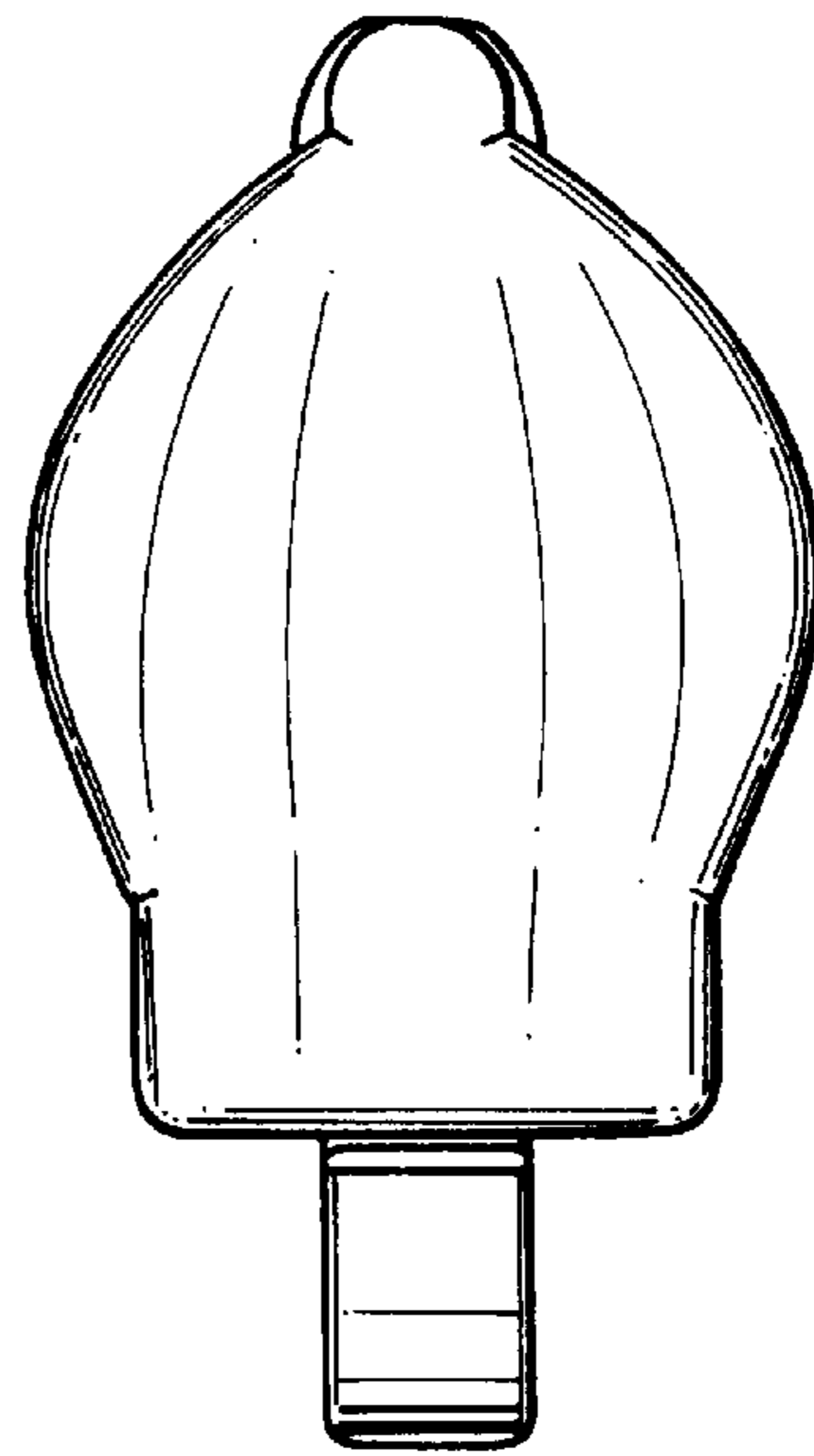


FIG.3

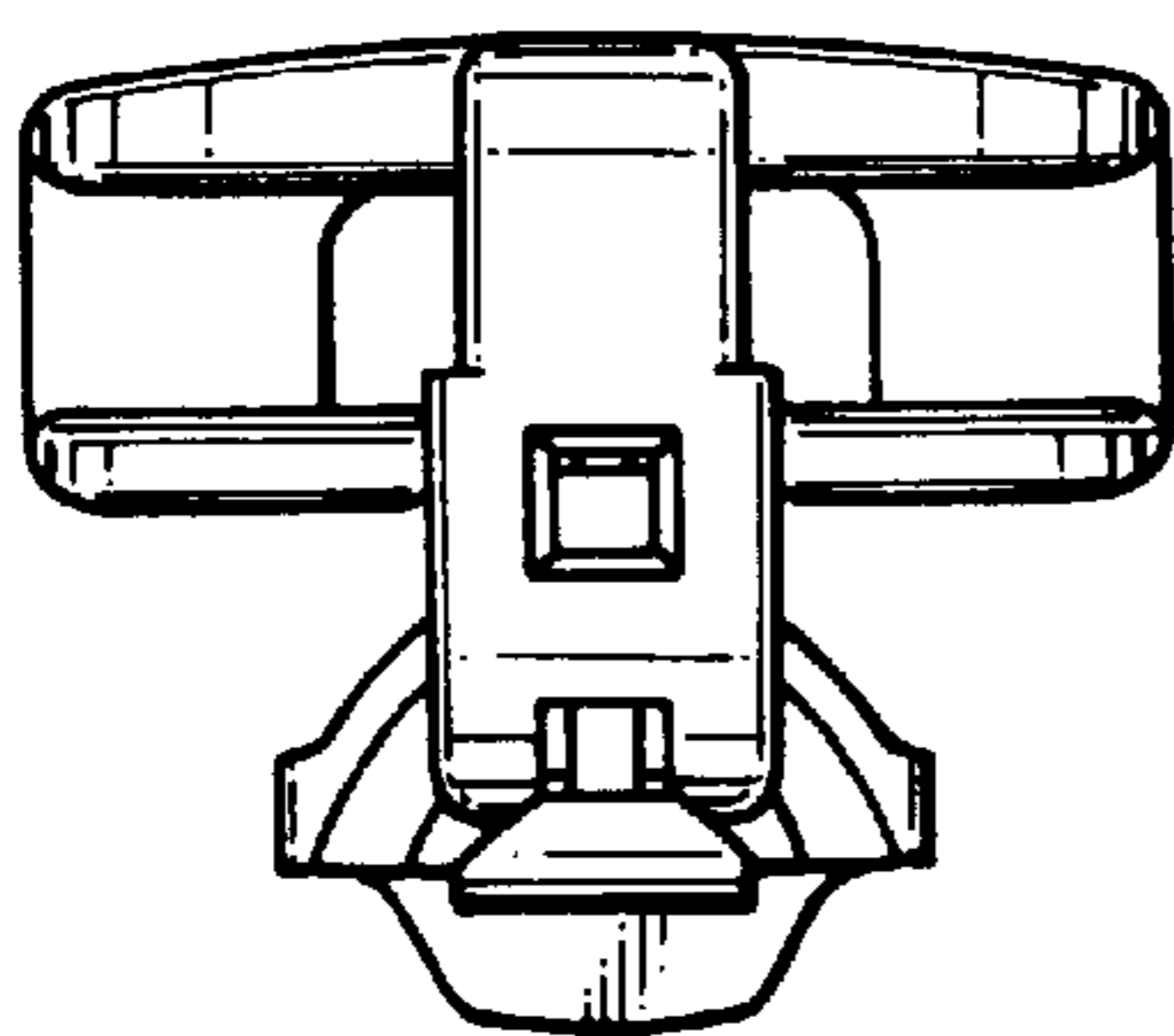


FIG.4

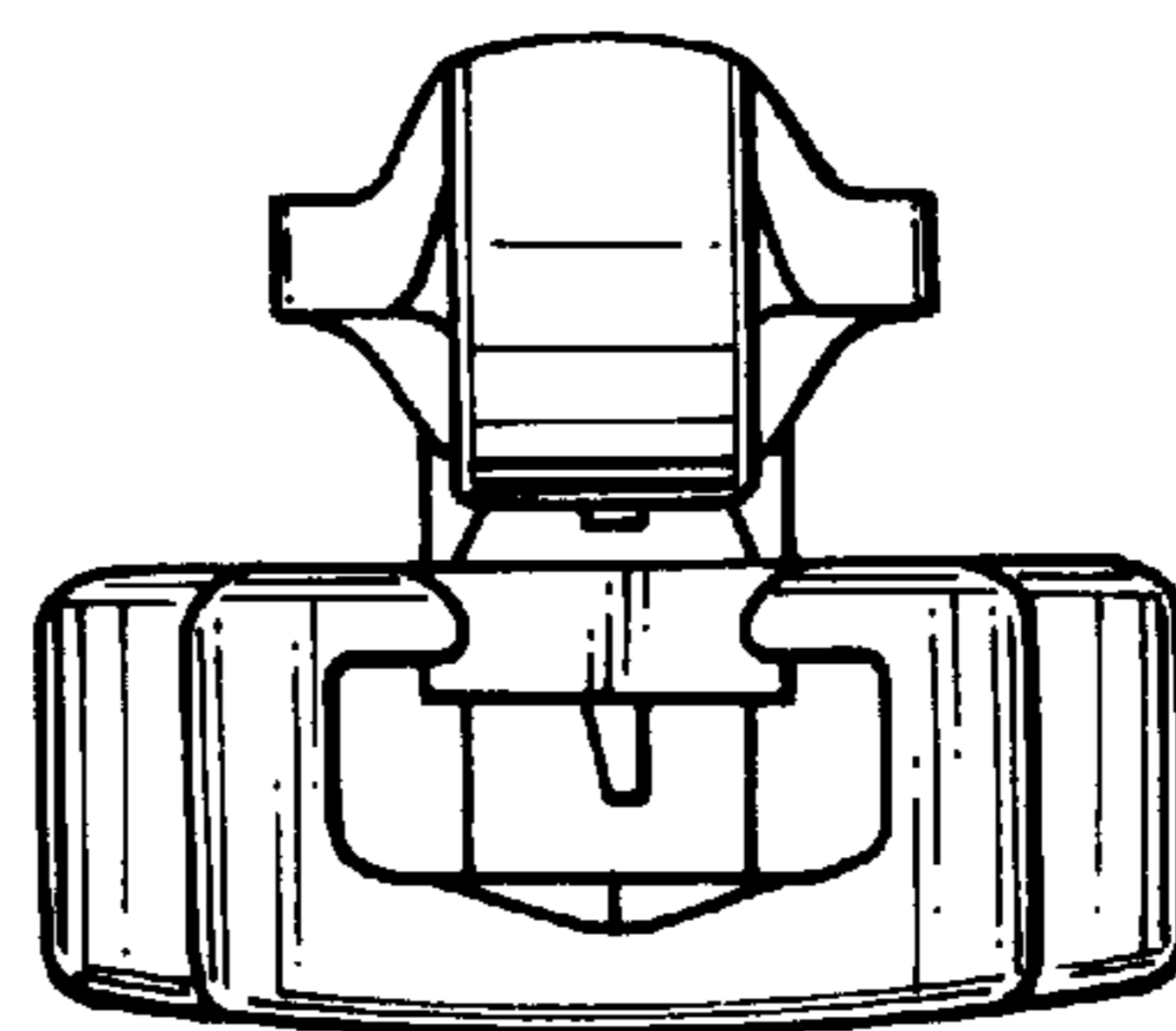


FIG.5

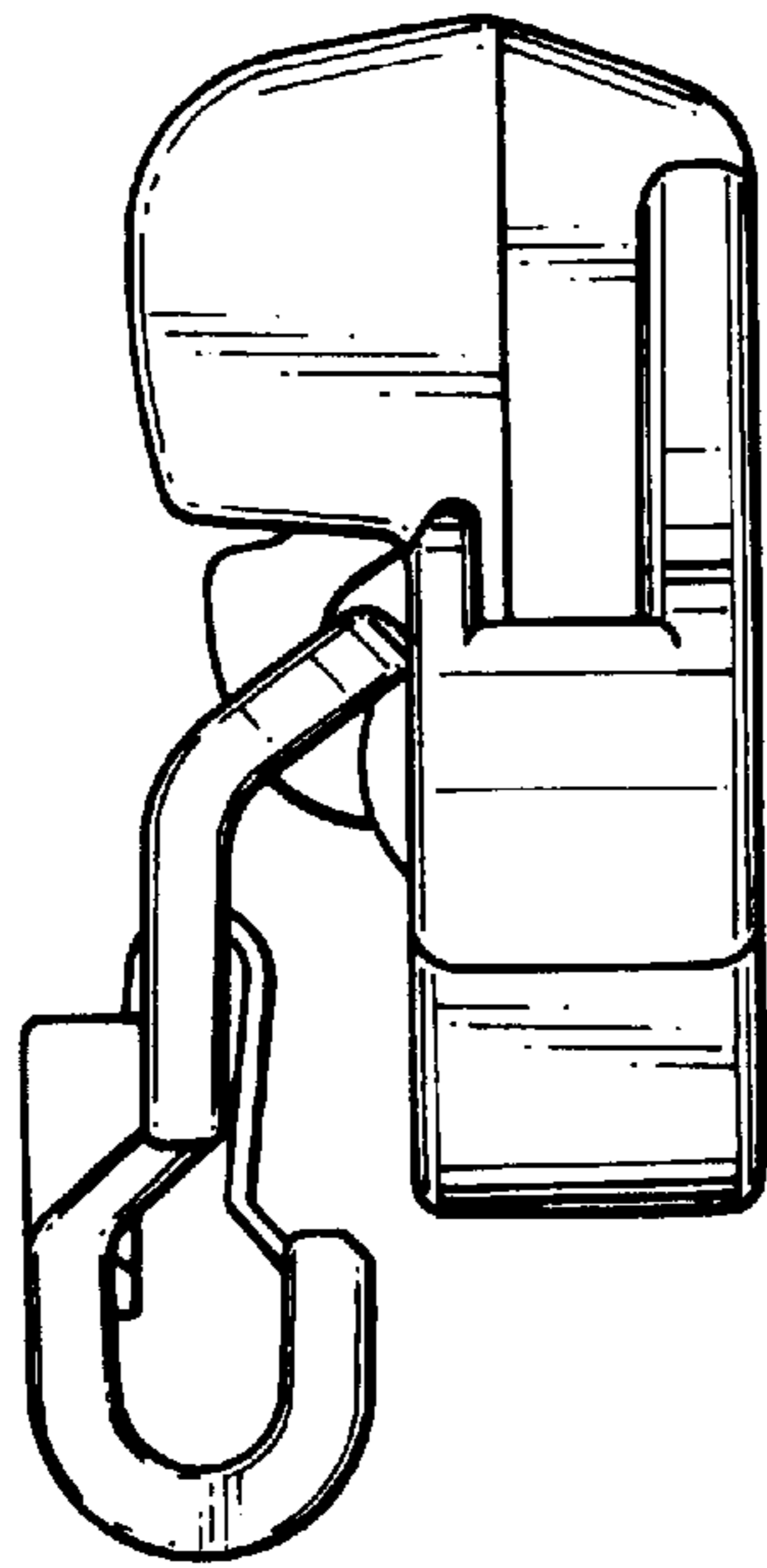
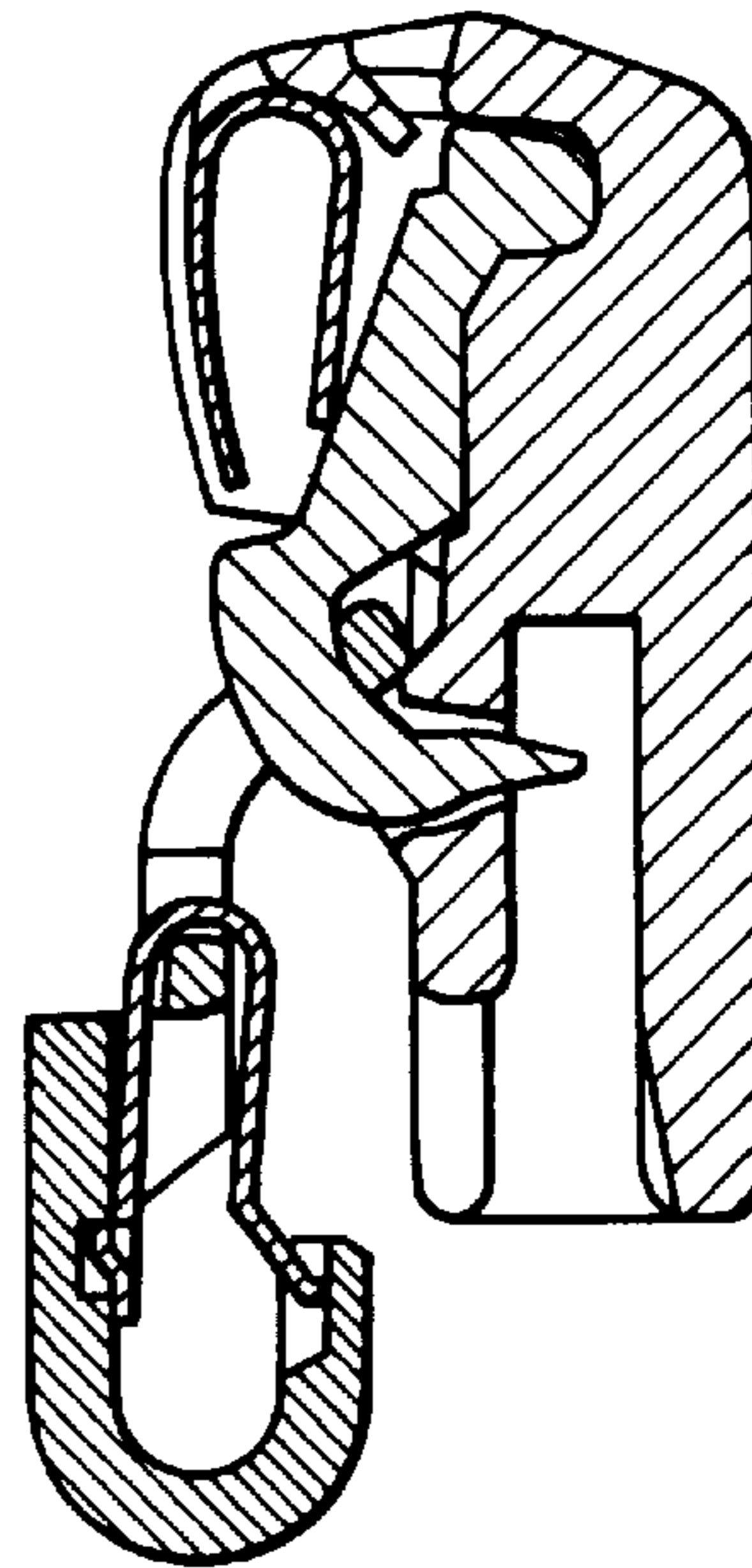


FIG.6



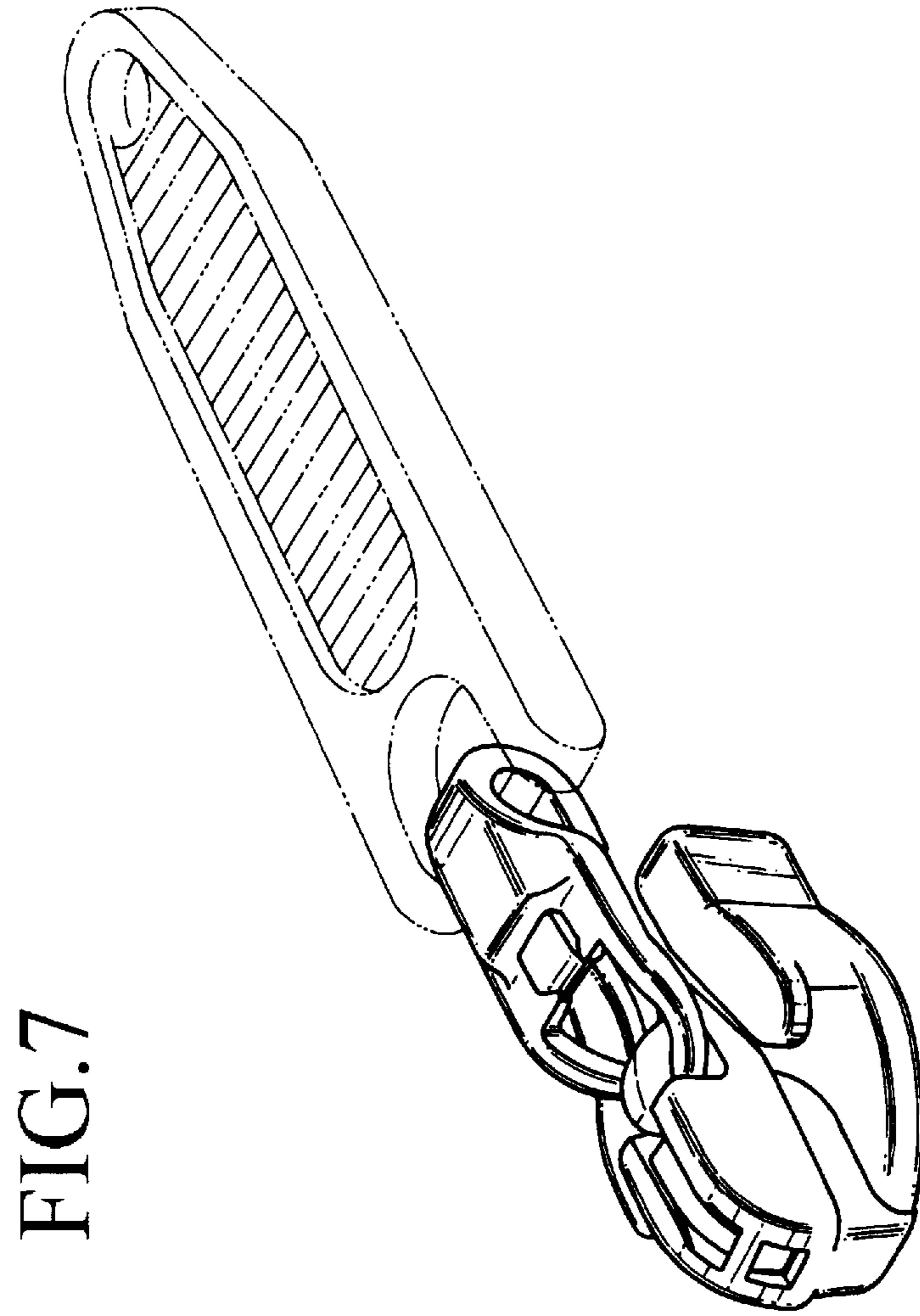


FIG. 7