



US00D397958S

United States Patent [19]
Ruthenberg

[11] **Patent Number: Des. 397,958**

[45] **Date of Patent: **Sep. 8, 1998**

[54] **WATERFALL PLANTER**

[76] Inventor: **Douglas Ruthenberg**, 10453 Tillery Rd., Spring Hill, Fla. 34608

[**] Term: **14 Years**

[21] Appl. No.: **71,398**

[22] Filed: **May 29, 1997**

[51] **LOC (6) Cl.** **11-02**

[52] **U.S. Cl.** **D11/156**

[58] **Field of Search** D11/143, 144, D11/155, 156; D6/403; 47/65.5, 65.7, 68, 39, 40, 41.01; 206/423

[56] **References Cited**

U.S. PATENT DOCUMENTS

D. 340,204 10/1993 Grosfillex D11/155

OTHER PUBLICATIONS

Contico Lawn & Garden brochure; p. 6; Rolled rim pot, Aug. 15, 1995.

Primary Examiner—Caron D. Veynar
Attorney, Agent, or Firm—Joseph C. Mason, Jr.

[57] **CLAIM**

I claim the ornamental design for waterfall planter, as shown.

DESCRIPTION

FIG. 1 is a front elevational view of my design; FIG. 2 is a rear elevational view thereof; FIG. 3 is a right side elevational view thereof; FIG. 4 is a left side elevational view thereof; FIG. 5 is a top plan view thereof; FIG. 6 is a bottom plan view thereof; and, FIG. 7 is a perspective view thereof.

1 Claim, 4 Drawing Sheets

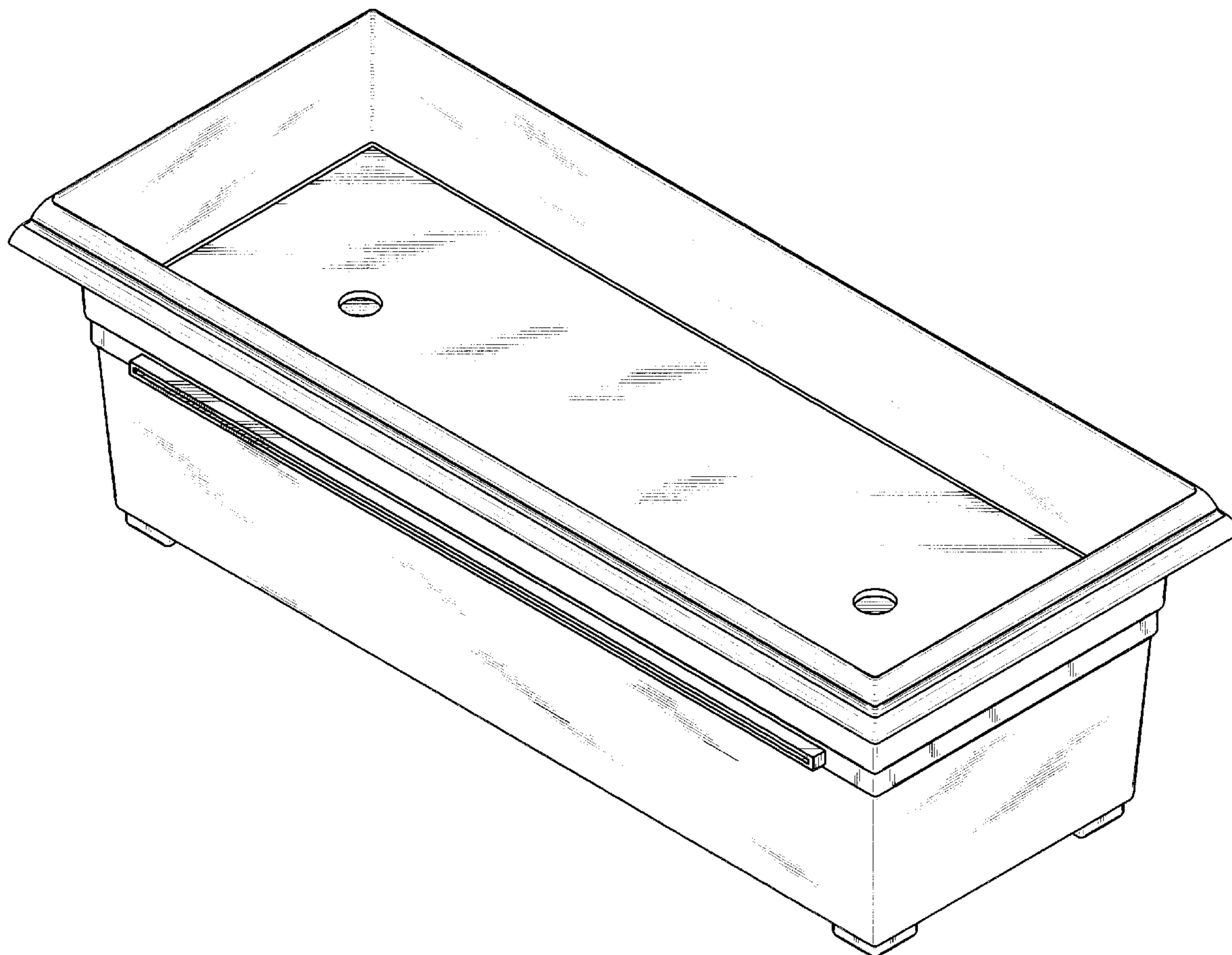


FIG. 1

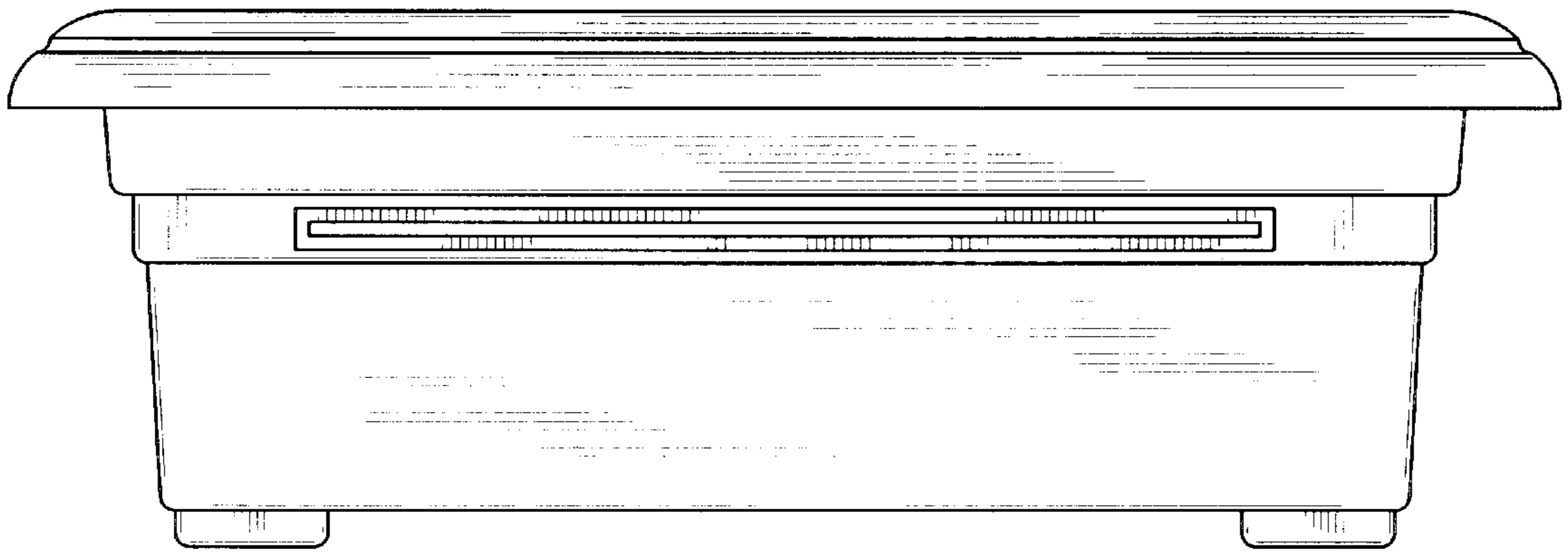


FIG. 2

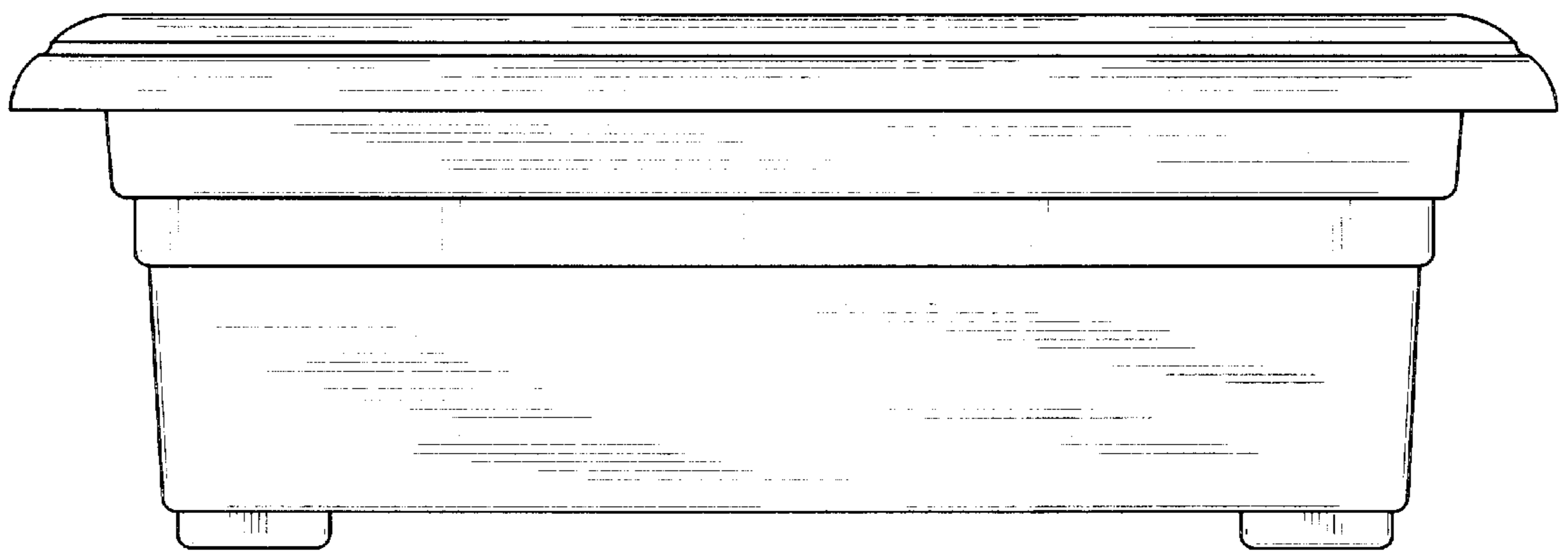


FIG. 3

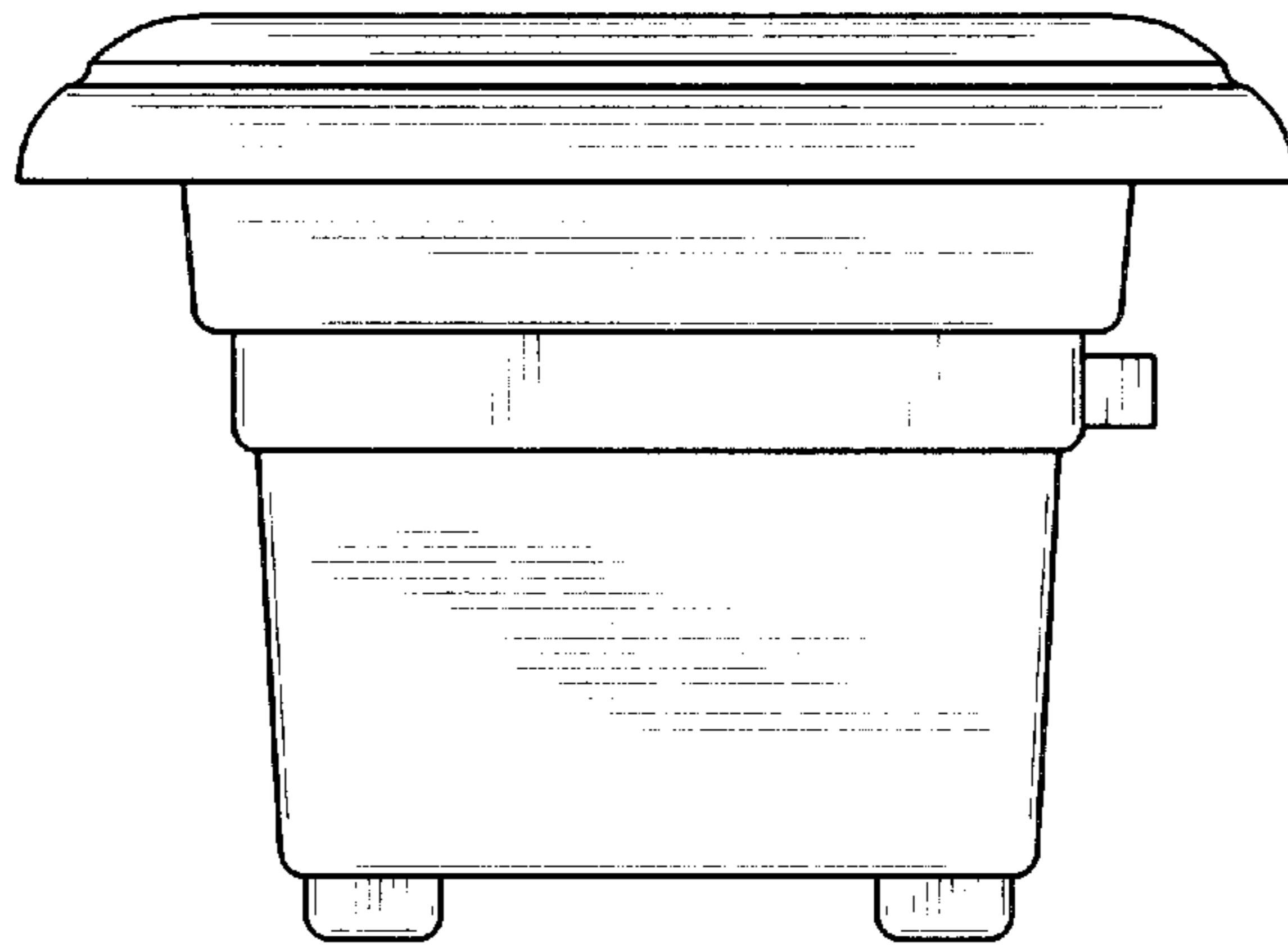


FIG. 4

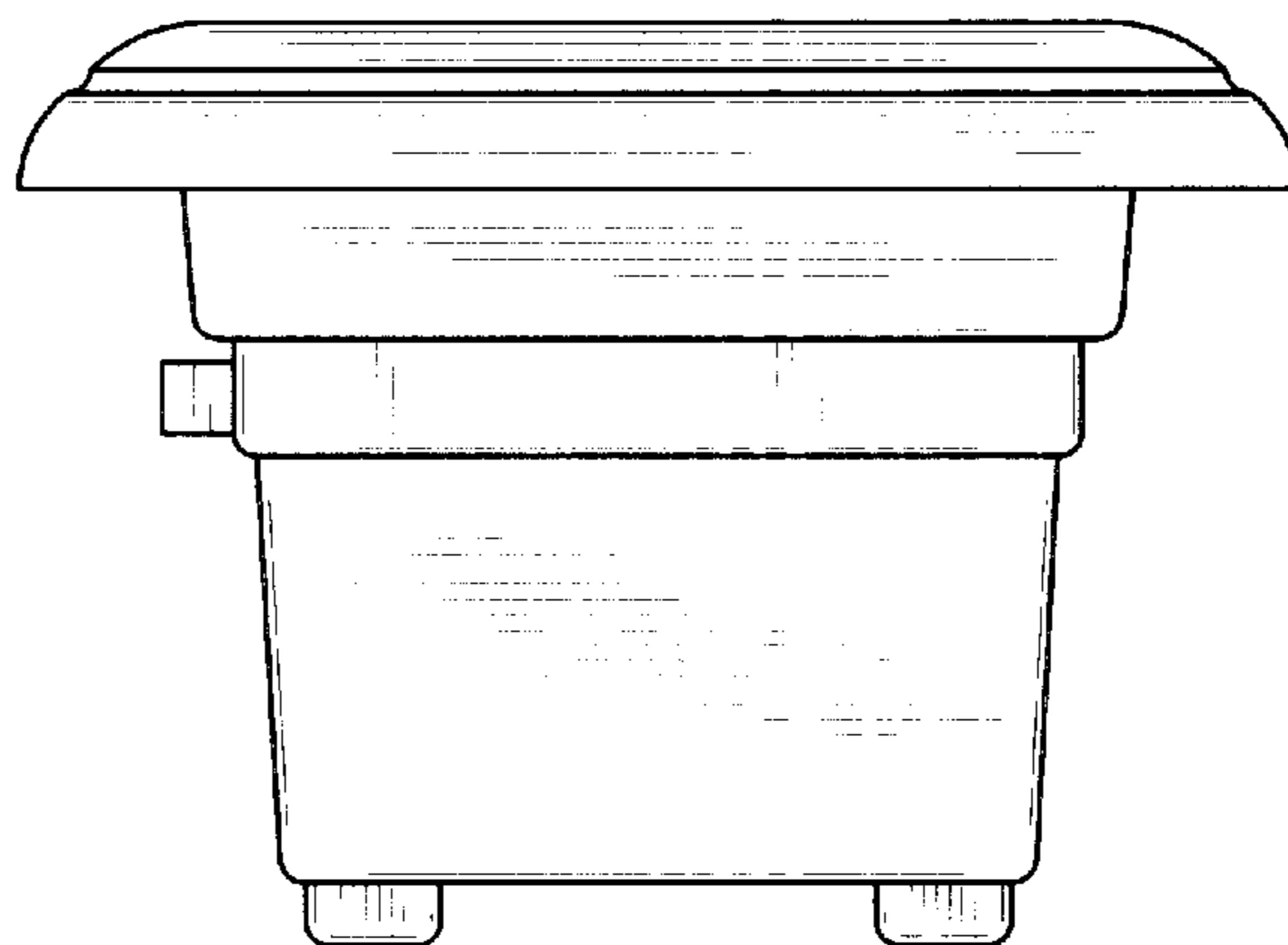
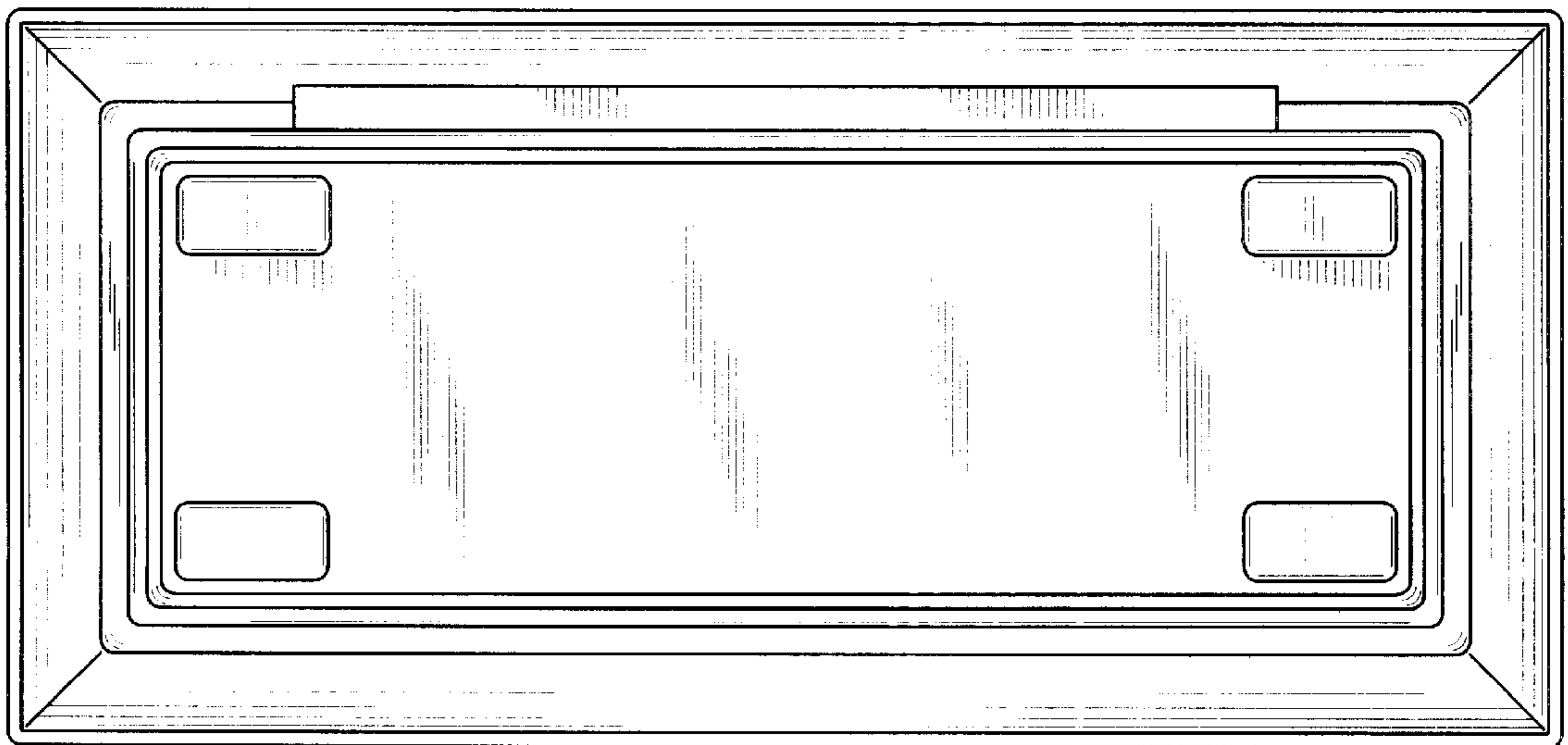


FIG. 5



FIG. 6



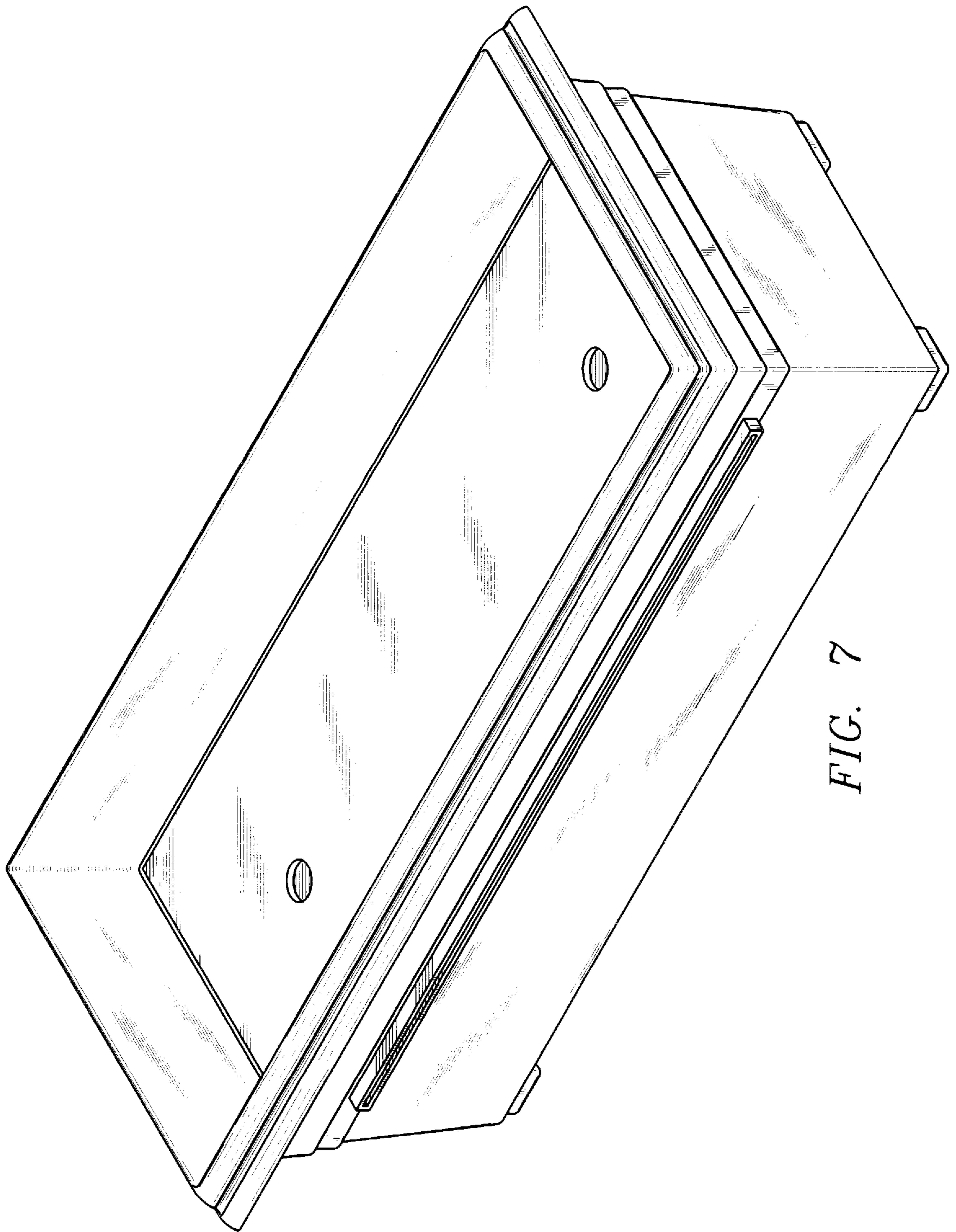


FIG. 7

UNITED STATES PATENT AND TRADEMARK OFFICE
CERTIFICATE OF CORRECTION

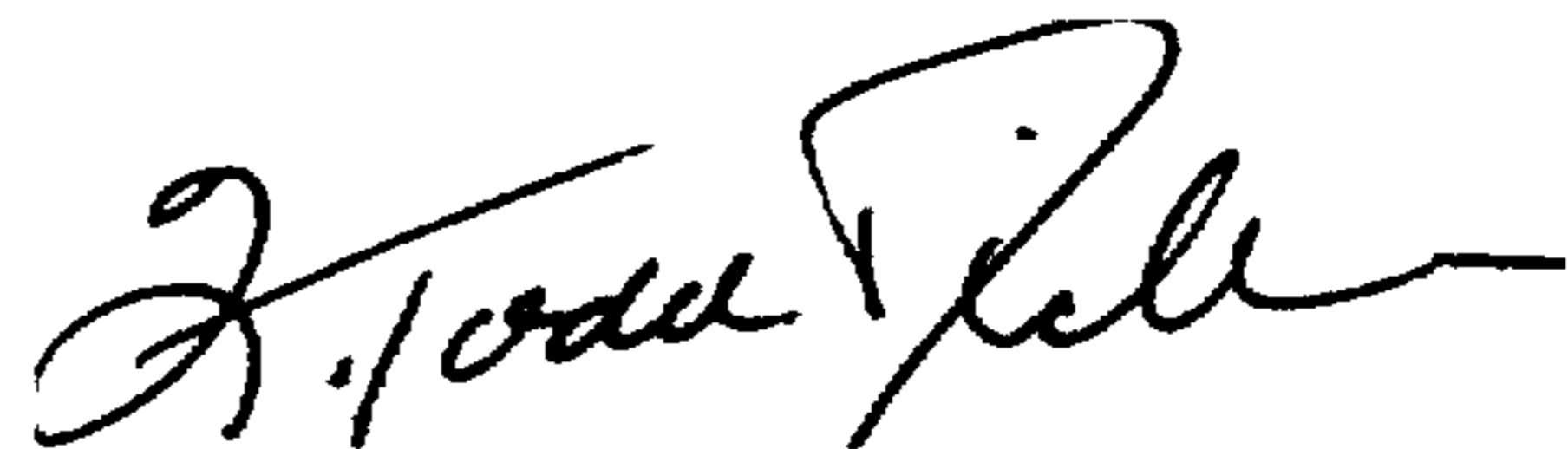
PATENT NO. : Des. 397,958
DATED : September 8, 1998
INVENTOR(S) : Douglas Ruthenberg

It is certified that error appears in the above-identified patent and that said Letters Patent is hereby corrected as shown below:

On the title page: Item "[22] Filed: May 29, 1997"
should read "[22] Filed: June 2, 1997"

Signed and Sealed this
Seventeenth Day of August, 1999

Attest:



Q. TODD DICKINSON

Attesting Officer

Acting Commissioner of Patents and Trademarks