



US00D397954S

**United States Patent** [19]  
**Ambar**

[11] **Patent Number: Des. 397,954**

[45] **Date of Patent: \*\*Sep. 8, 1998**

[54] **GEMSTONE**

[76] Inventor: **Betzalel Ambar**, 15824 Woodvale Rd., Encino, Calif. 91436

[\*\*] Term: **14 Years**

[21] Appl. No.: **68,924**

[22] Filed: **Apr. 10, 1997**

[51] **LOC (6) Cl.** ..... **11-01**

[52] **U.S. Cl.** ..... **D11/90**

[58] **Field of Search** ..... D11/6, 35, 40, D11/89, 90; 63/32, 1.1, 2, 15

[56] **References Cited**

**U.S. PATENT DOCUMENTS**

D. 62,378	5/1923	Heller	.....	D11/90
D. 62,381	5/1923	Heller	.....	D11/90
D. 62,386	5/1923	Heller	.....	D11/90
D. 340,665	10/1993	Schachter	.....	D11/90

*Primary Examiner*—Ralf Seifert

*Attorney, Agent, or Firm*—Howard C. Miskin

[57] **CLAIM**

The ornamental design for a gemstone, as shown and described.

**DESCRIPTION**

FIG. 1 is a top plan view of a gemstone showing my new design;

FIG. 2 is a right side elevational view, the left side elevational view being a mirror image;

FIG. 3 is a front elevational view thereof;

FIG. 4 is a bottom plan view thereof;

FIG. 5 is a rear elevational view thereof; and

FIG. 6 is a perspective view thereof;

FIG. 7 is a top plan view of a gemstone showing a second embodiment of my new design;

FIG. 8 is a right side elevational view of FIG. 7, the left side elevational view being a mirror image;

FIG. 9 is a front elevational view of FIG. 7;

FIG. 10 is a bottom plan view of FIG. 7;

FIG. 11 is a rear elevational view of FIG. 7;

FIG. 12 is a perspective view of FIG. 7;

FIG. 13 is a bottom plan view of a gemstone showing a third embodiment of my new design;

FIG. 14 is a right side elevational view of FIG. 13, the left side elevational view being a mirror image;

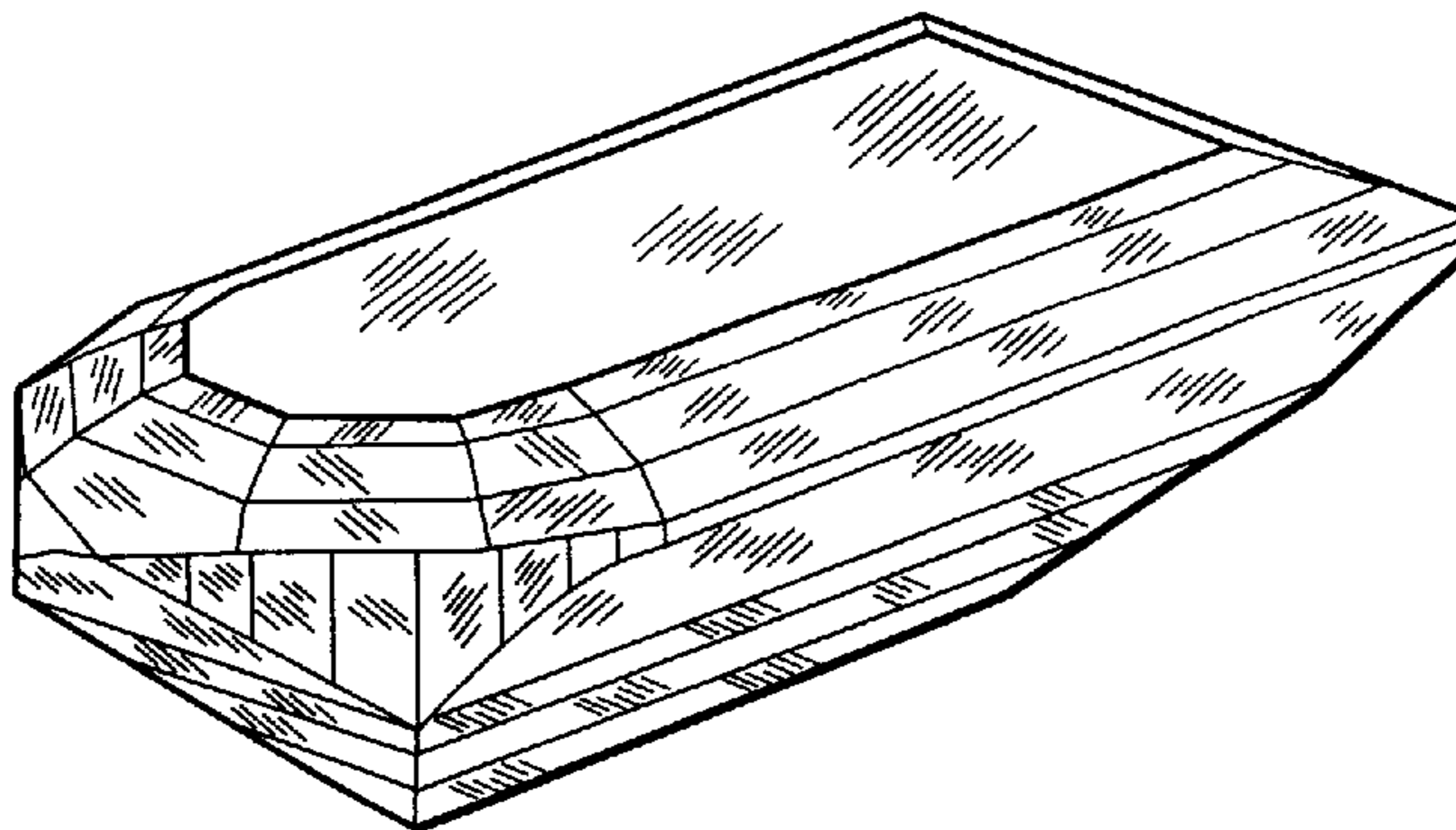
FIG. 15 is a front elevational view of FIG. 13;

FIG. 16 is a top plan view of FIG. 13;

FIG. 17 is a rear elevational view of FIG. 13; and,

FIG. 18 is a perspective view of FIG. 13.

**1 Claim, 3 Drawing Sheets**



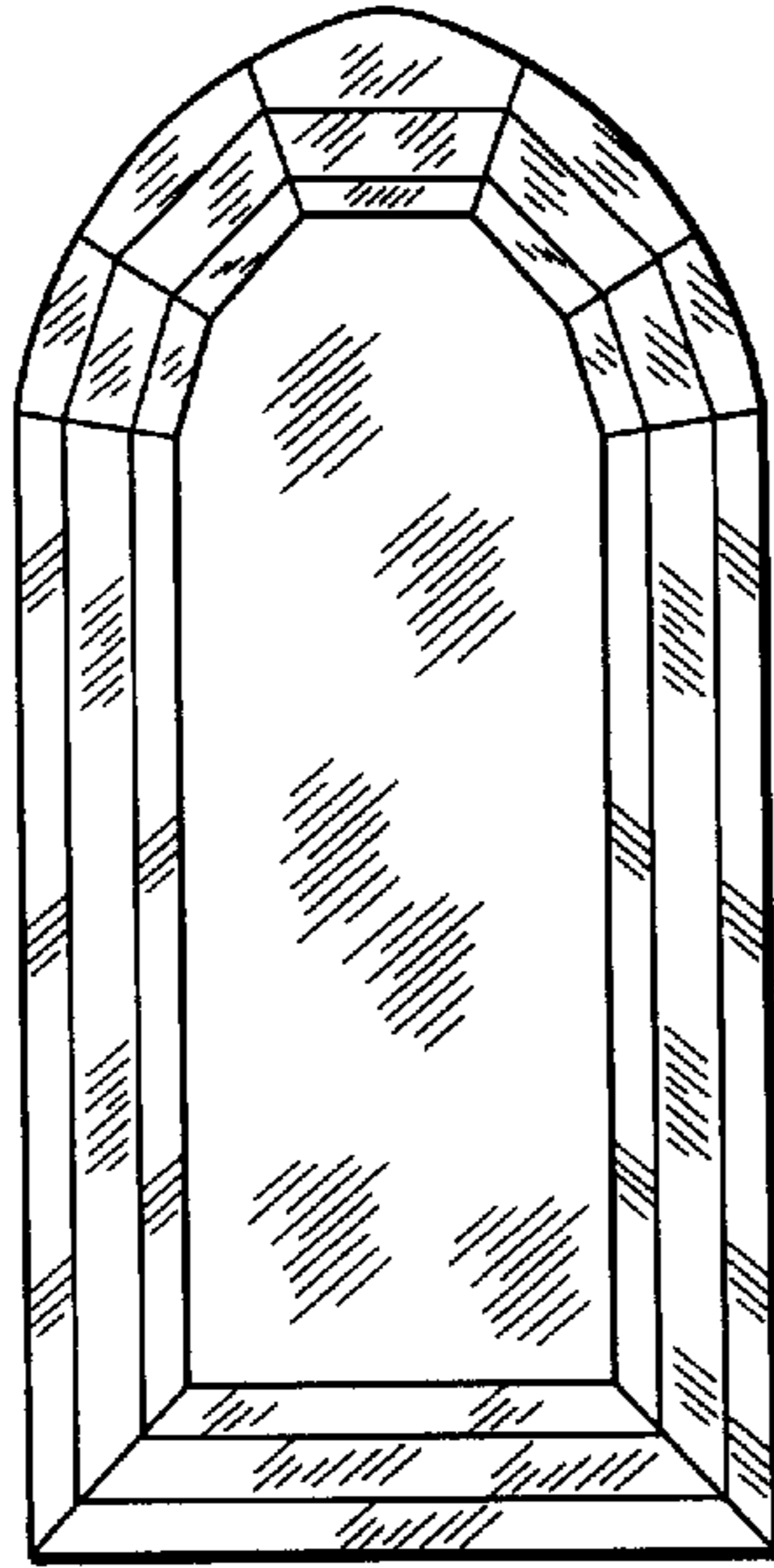


FIG. 1

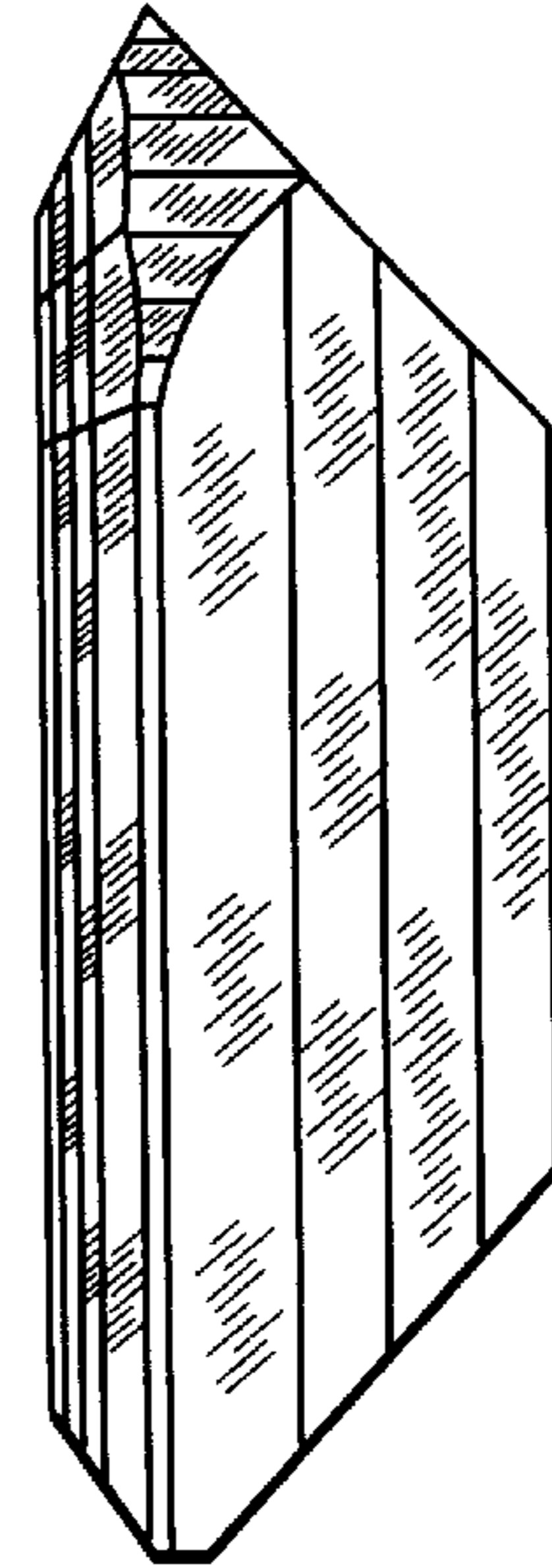


FIG. 2

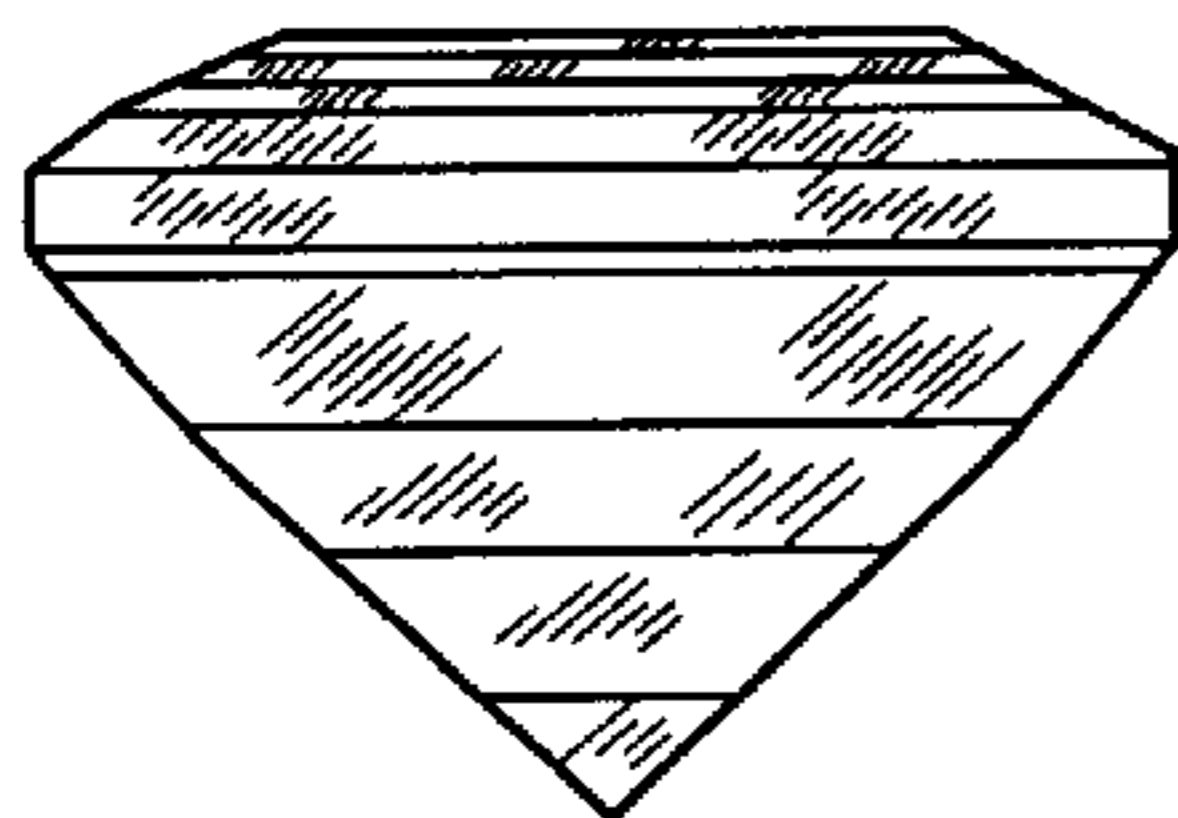


FIG. 3

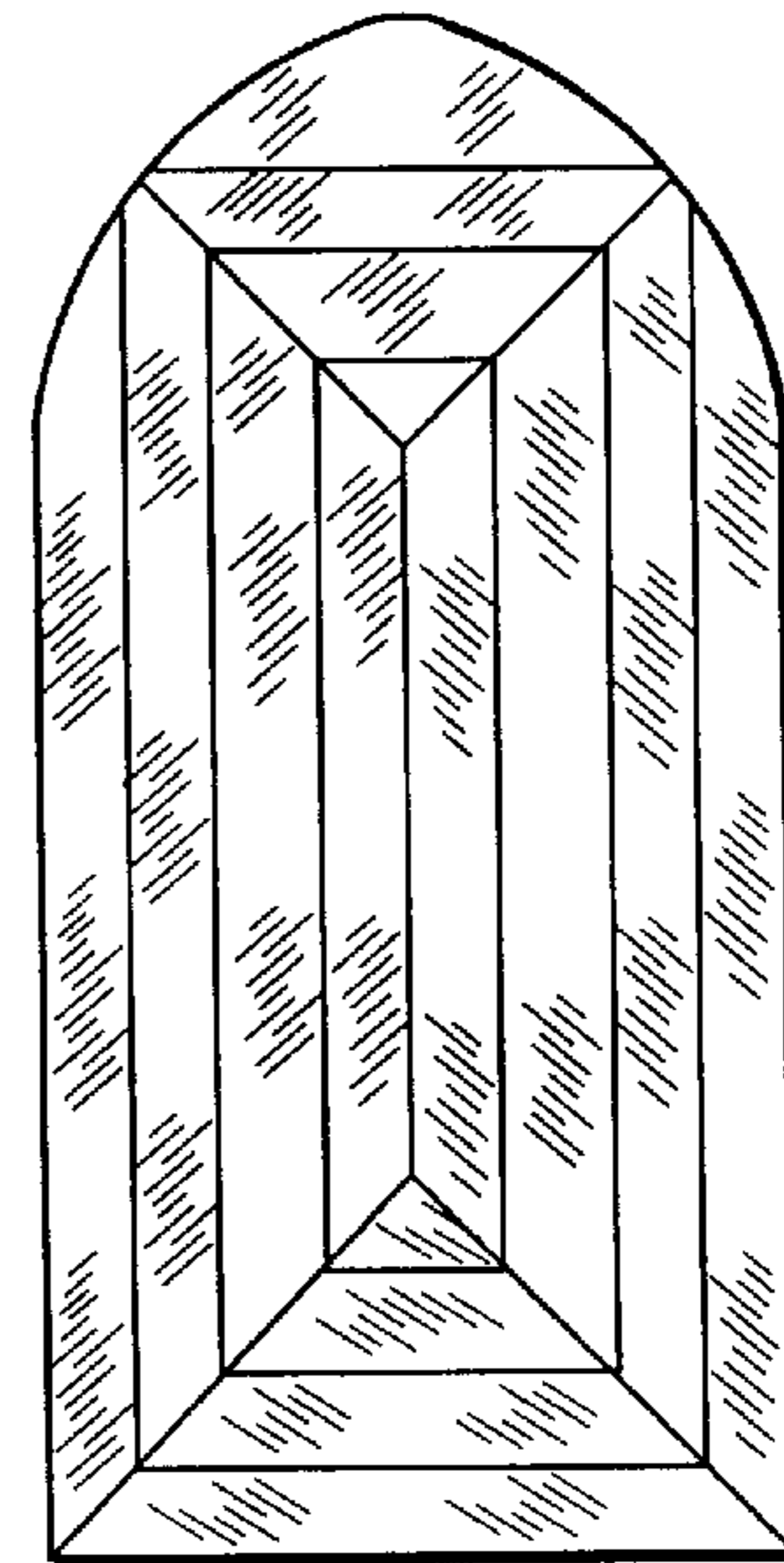


FIG. 4

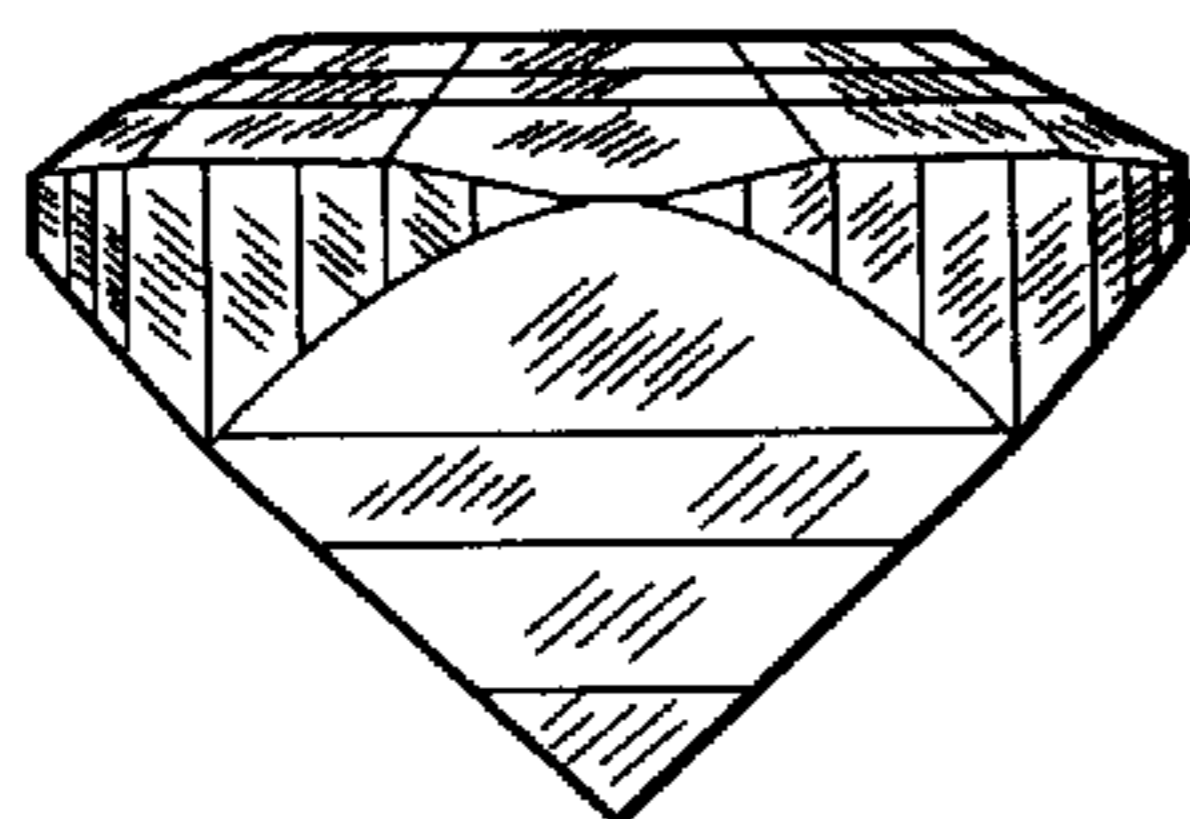


FIG. 5

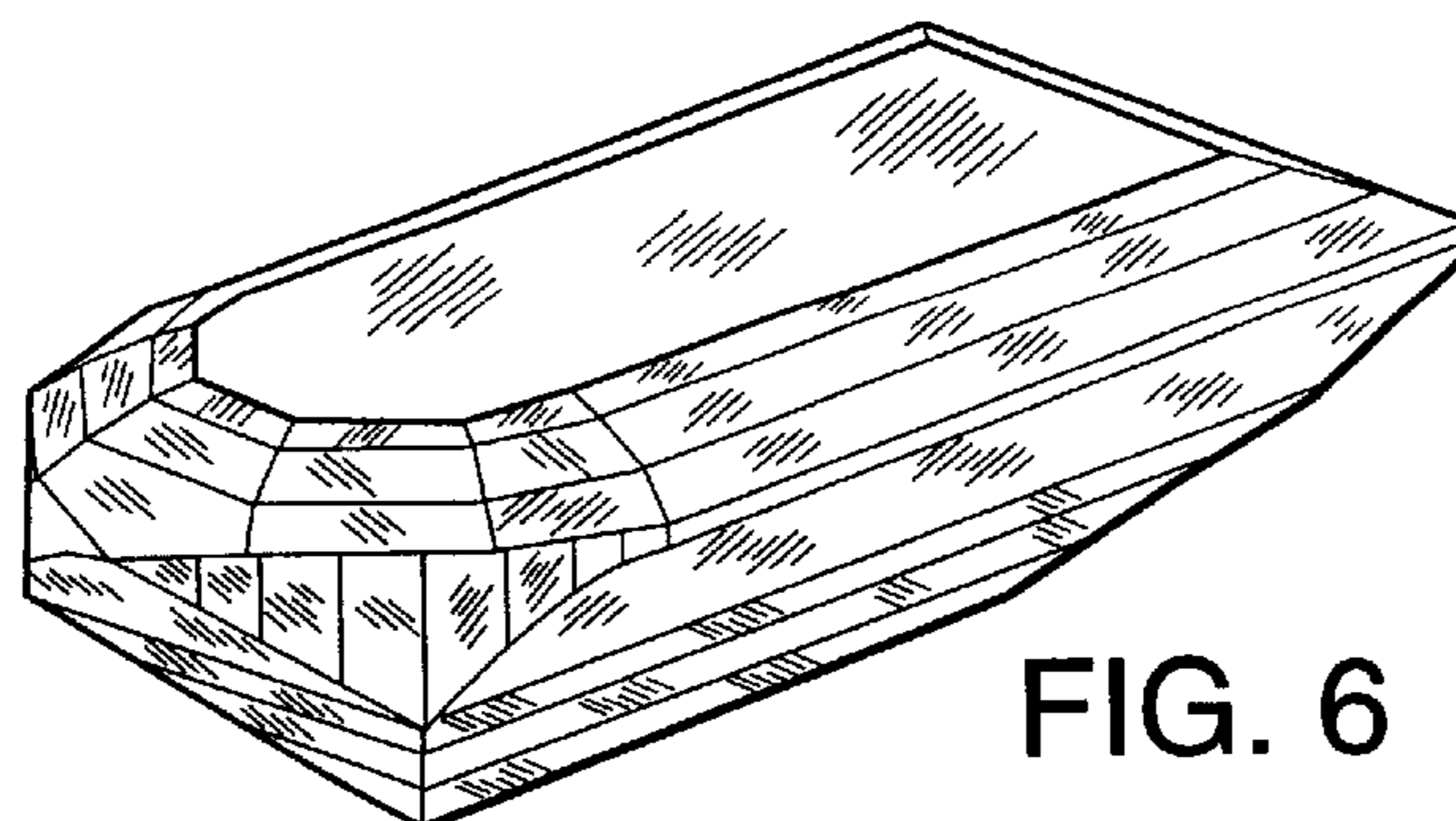


FIG. 6

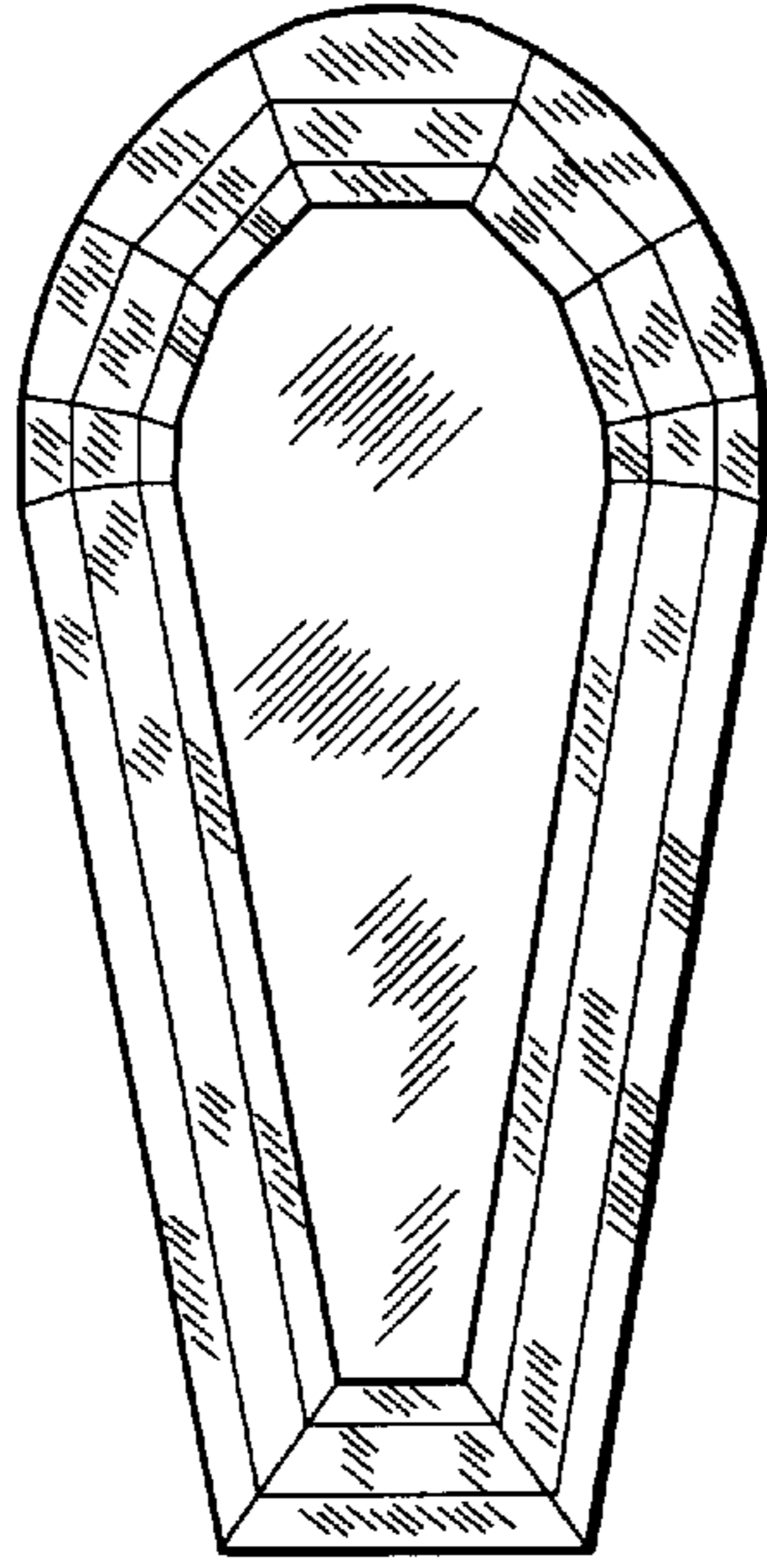


FIG. 7

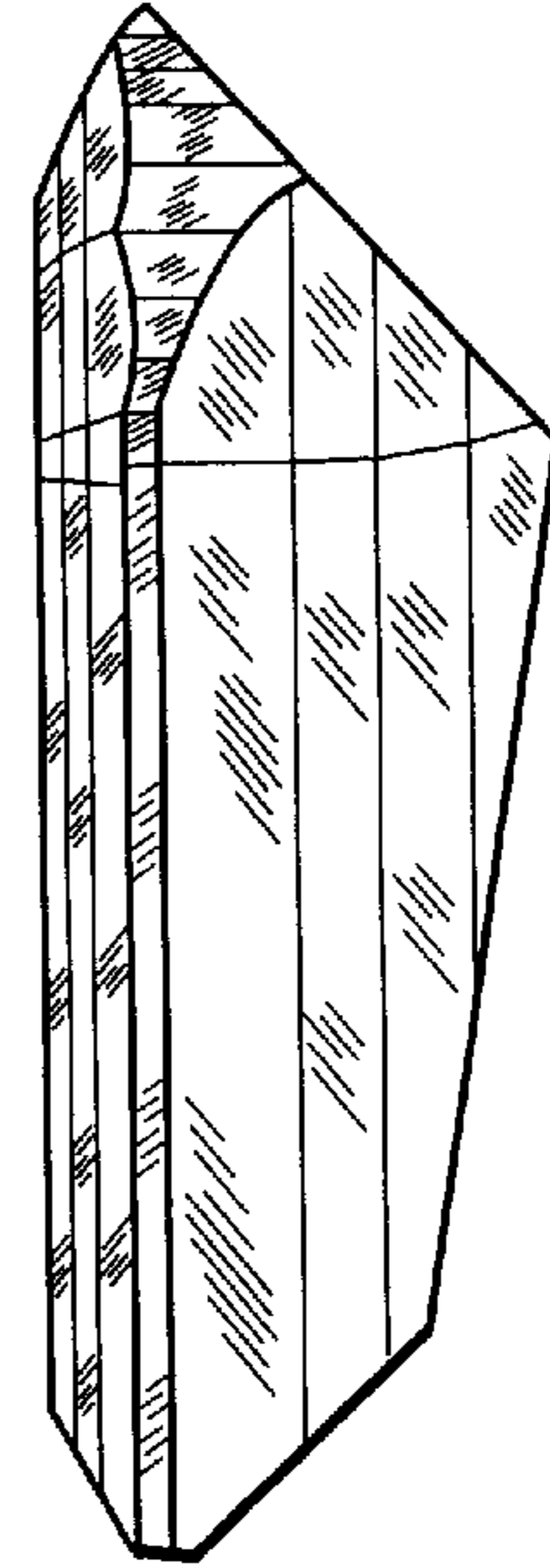


FIG. 8

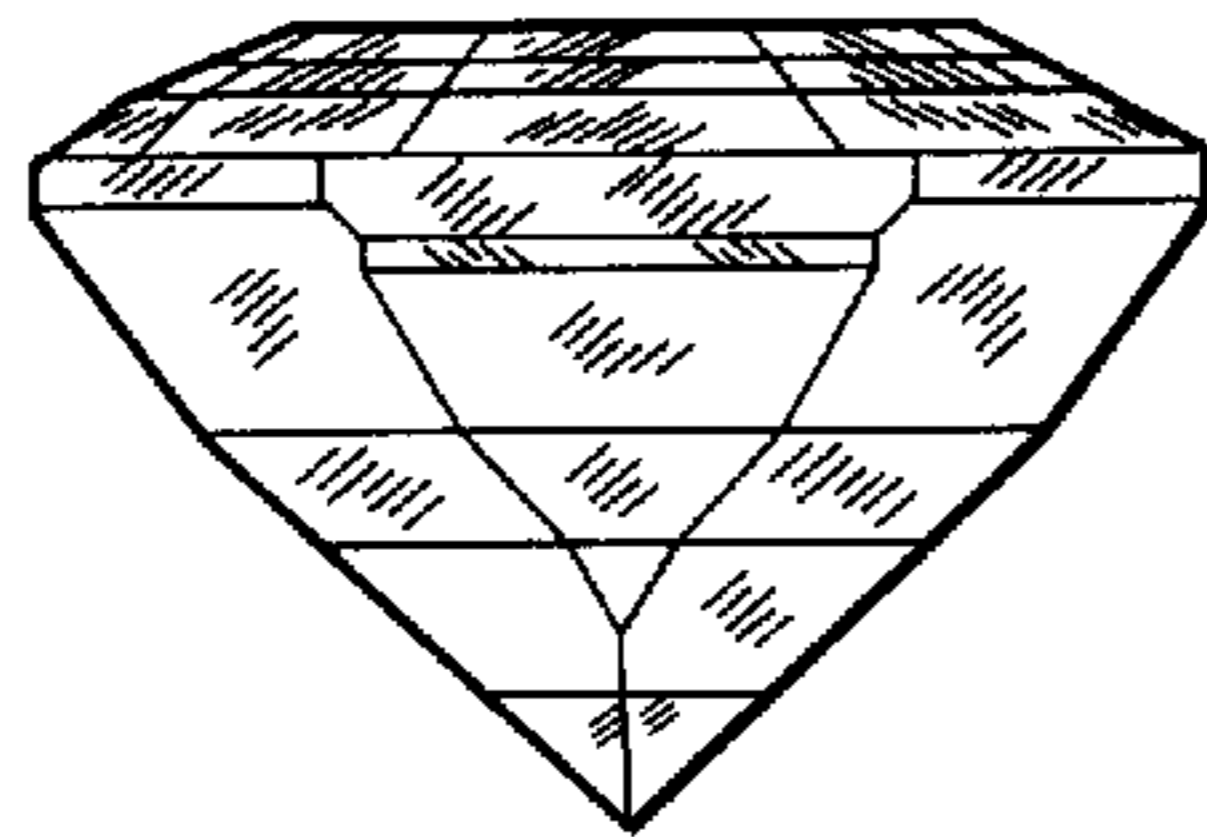


FIG. 9

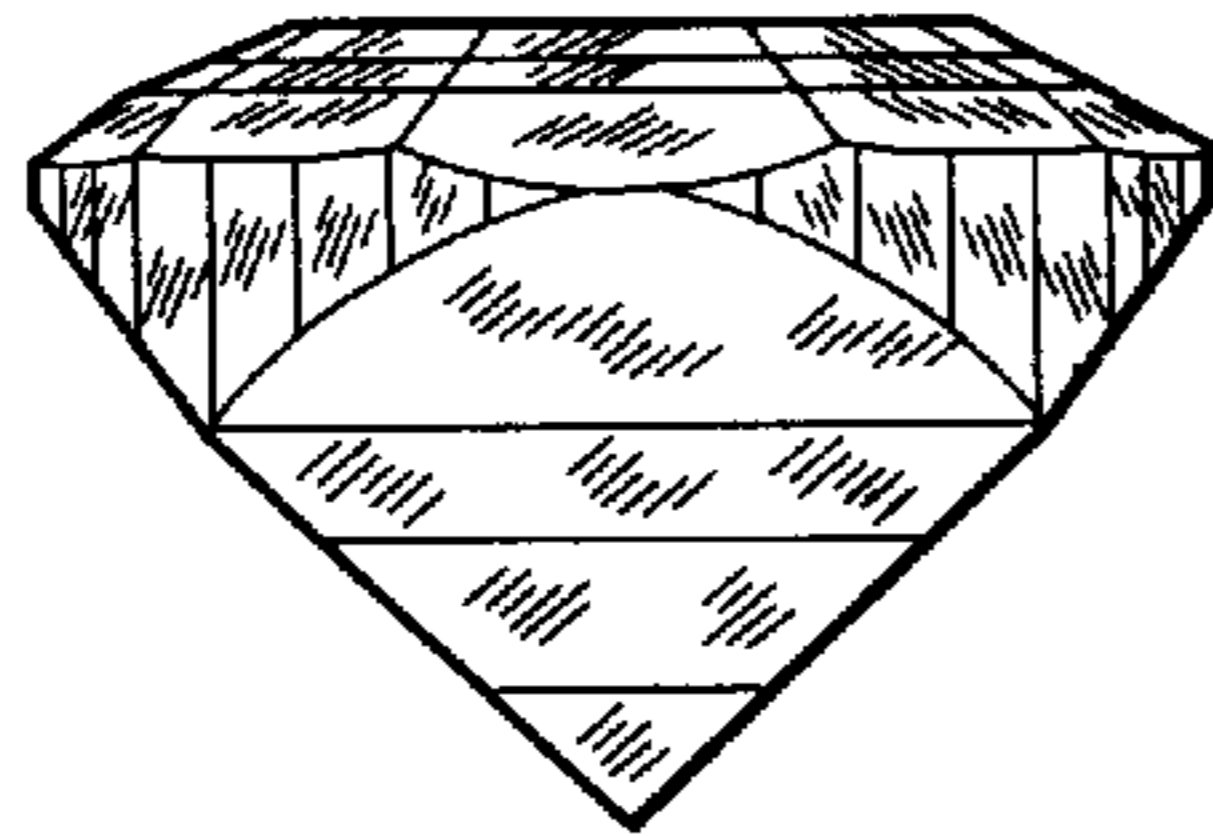


FIG. 11

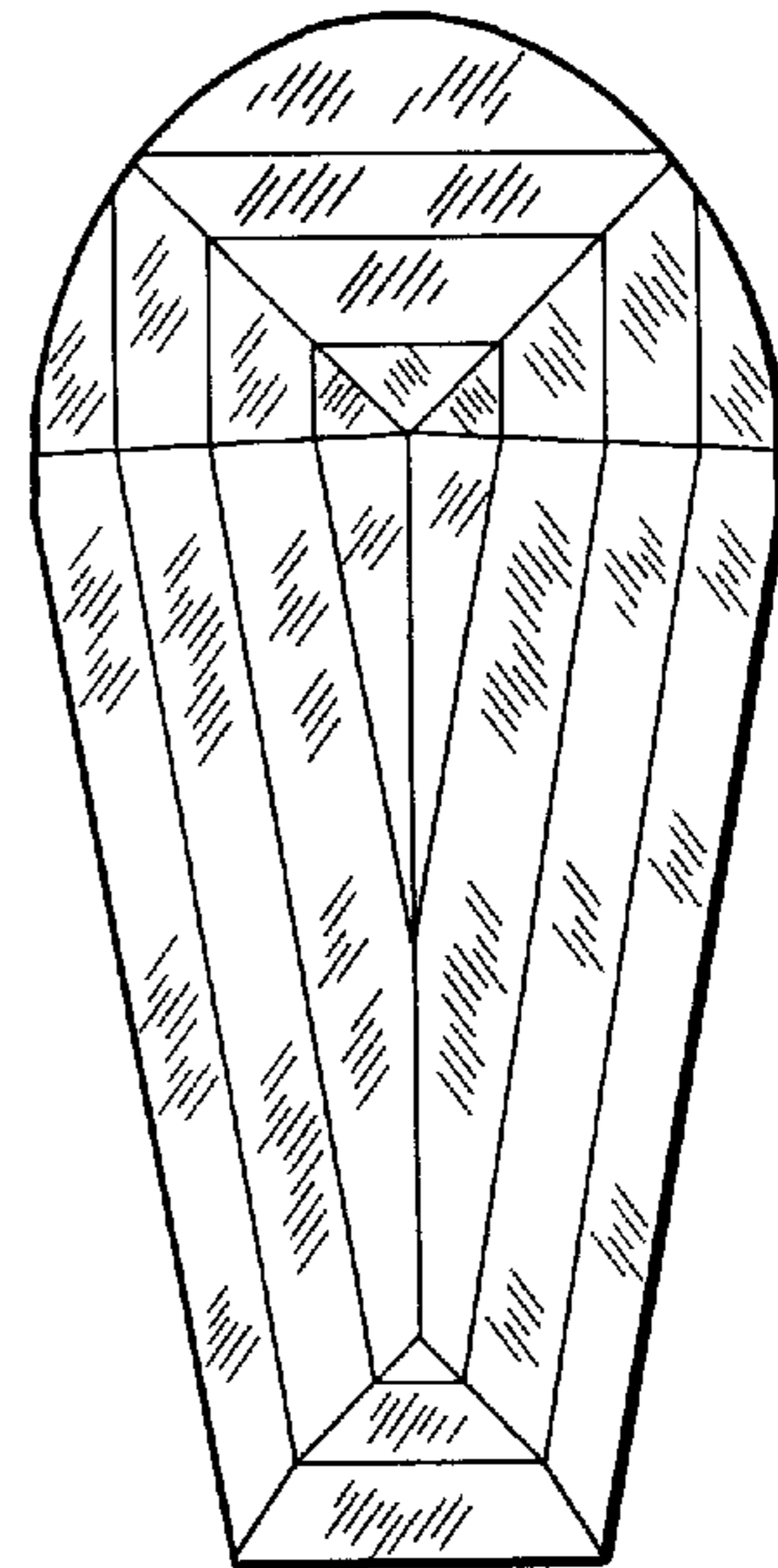


FIG. 10

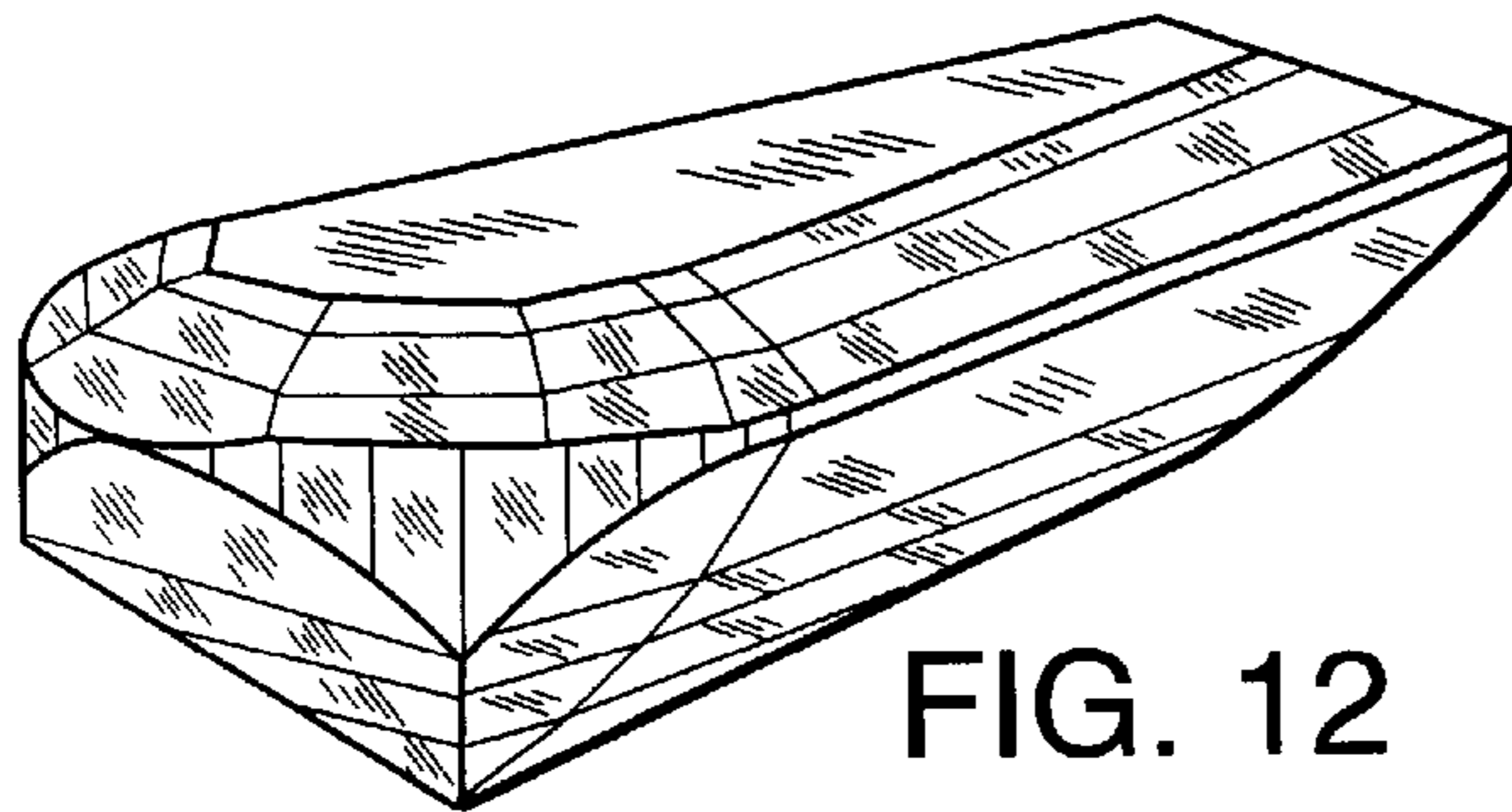


FIG. 12

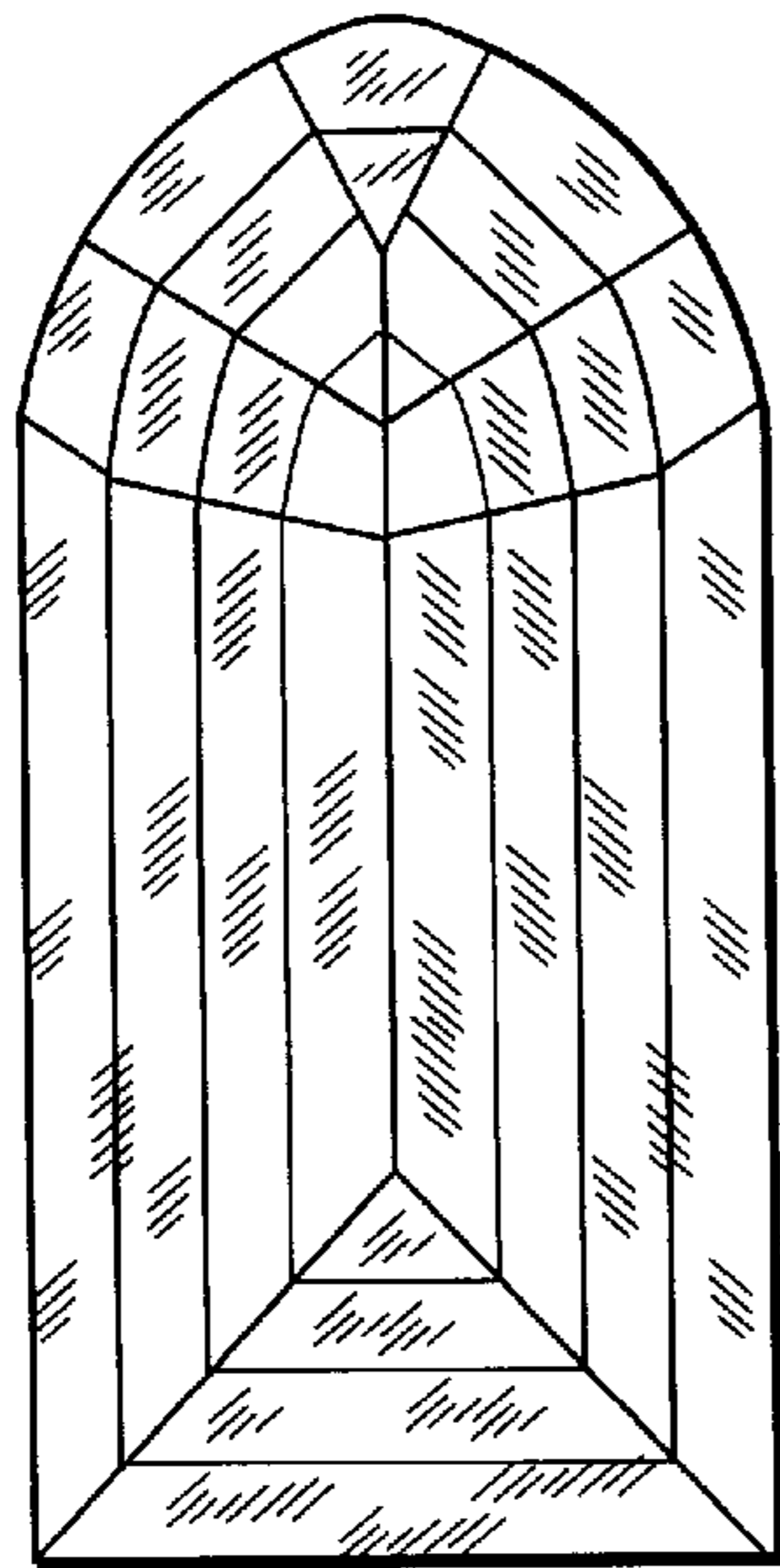


FIG. 13

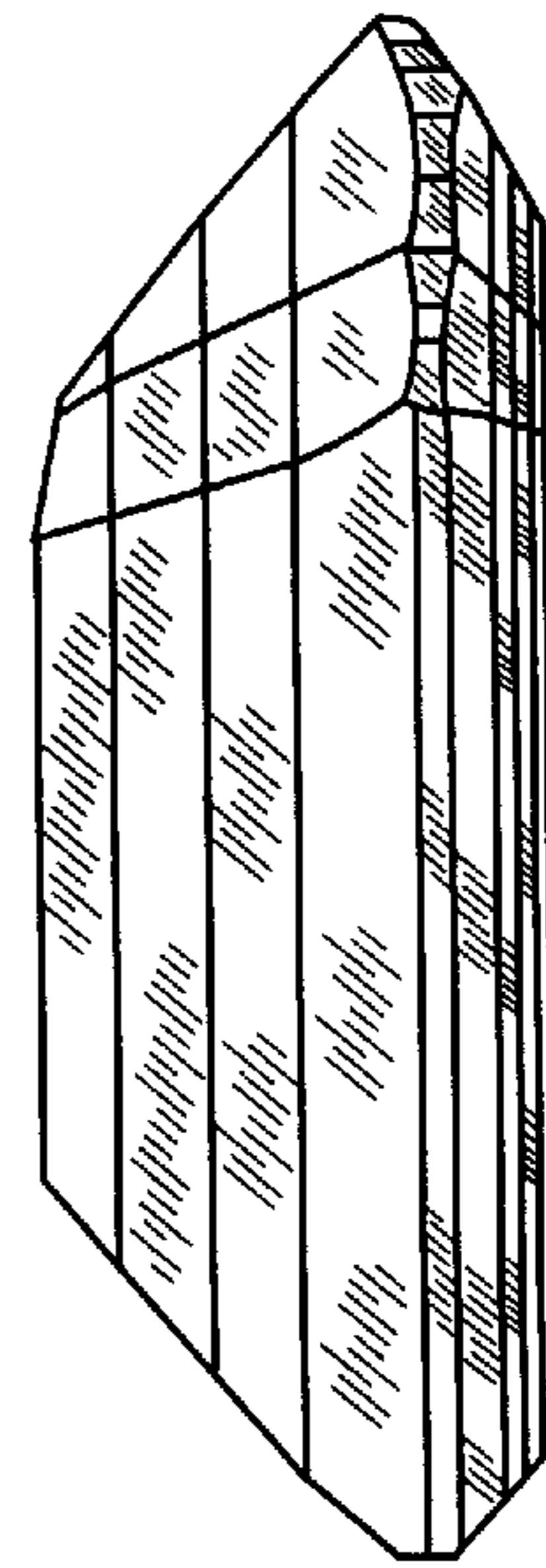


FIG. 14

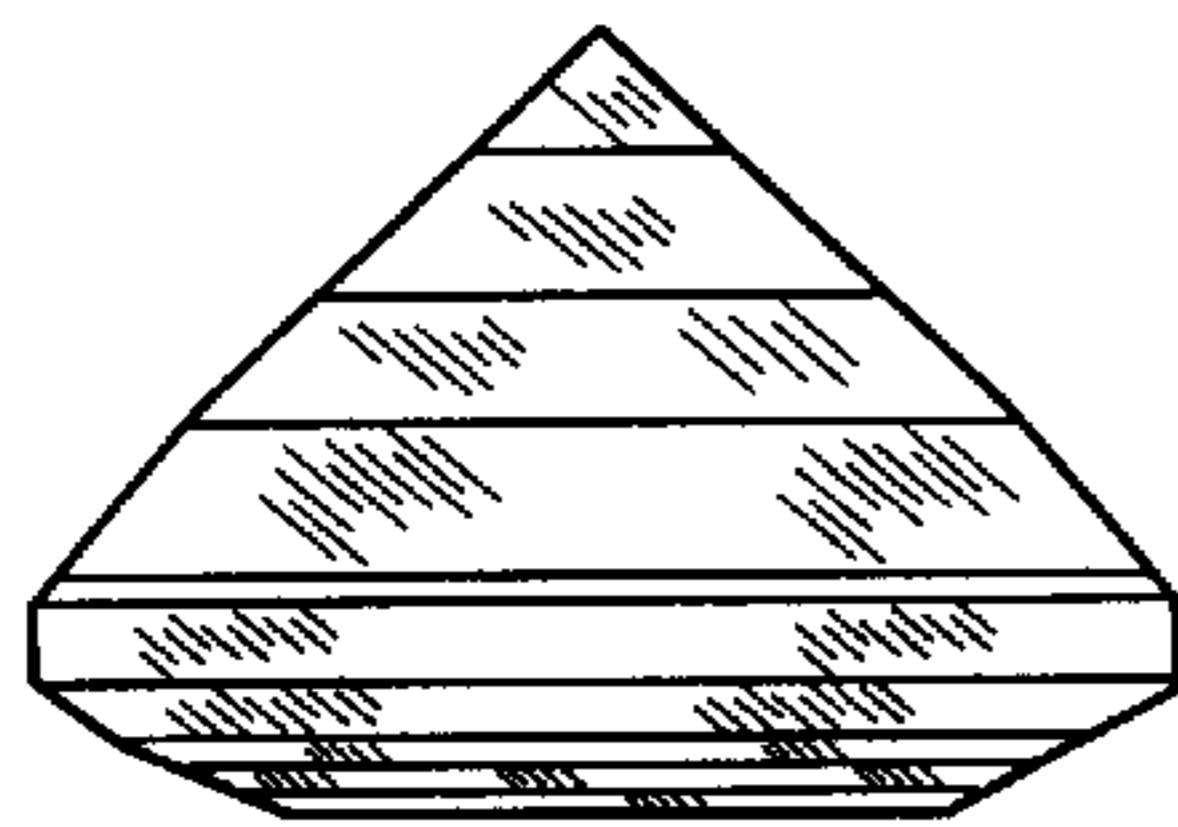


FIG. 15

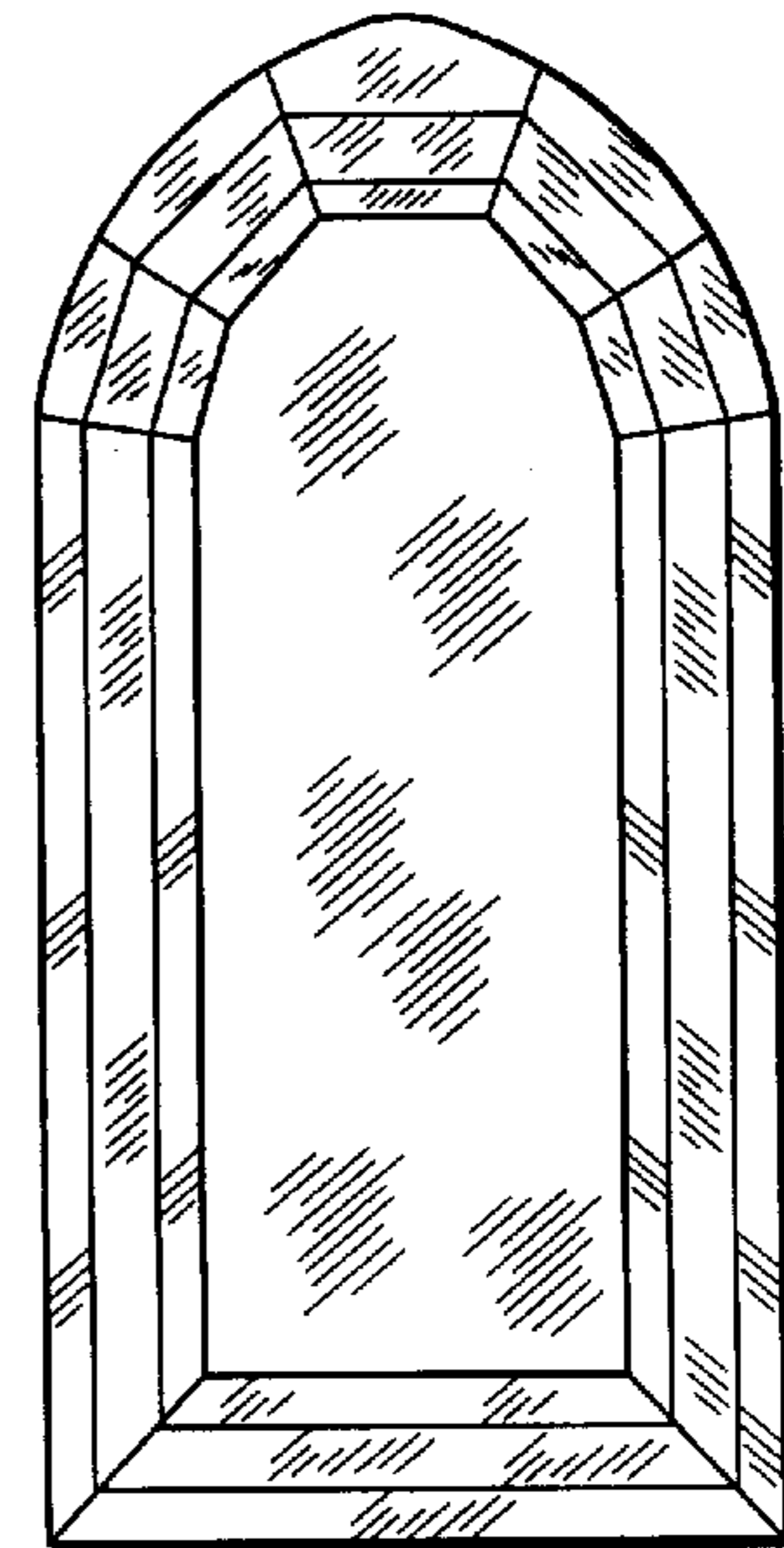


FIG. 16

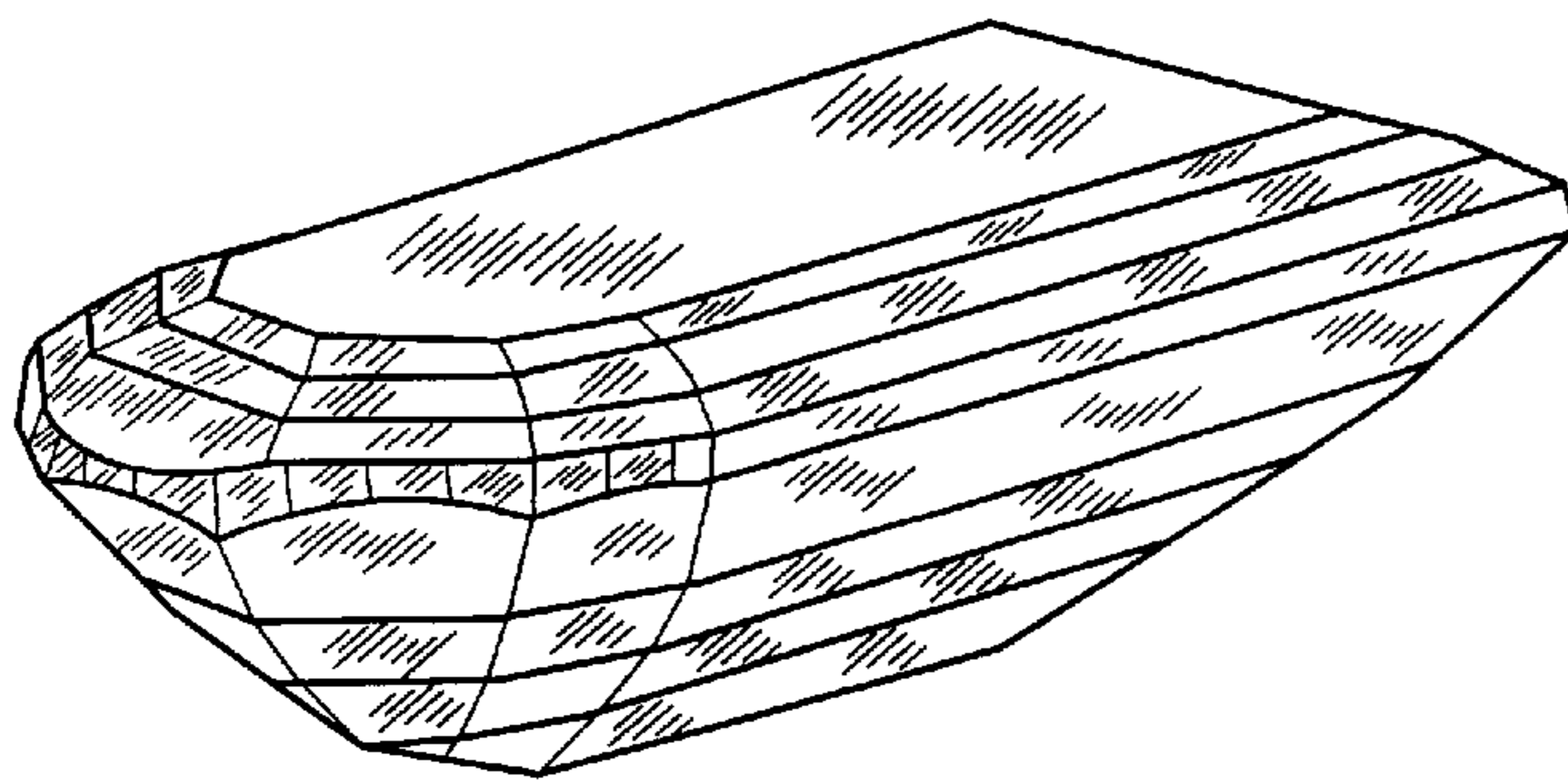


FIG. 18

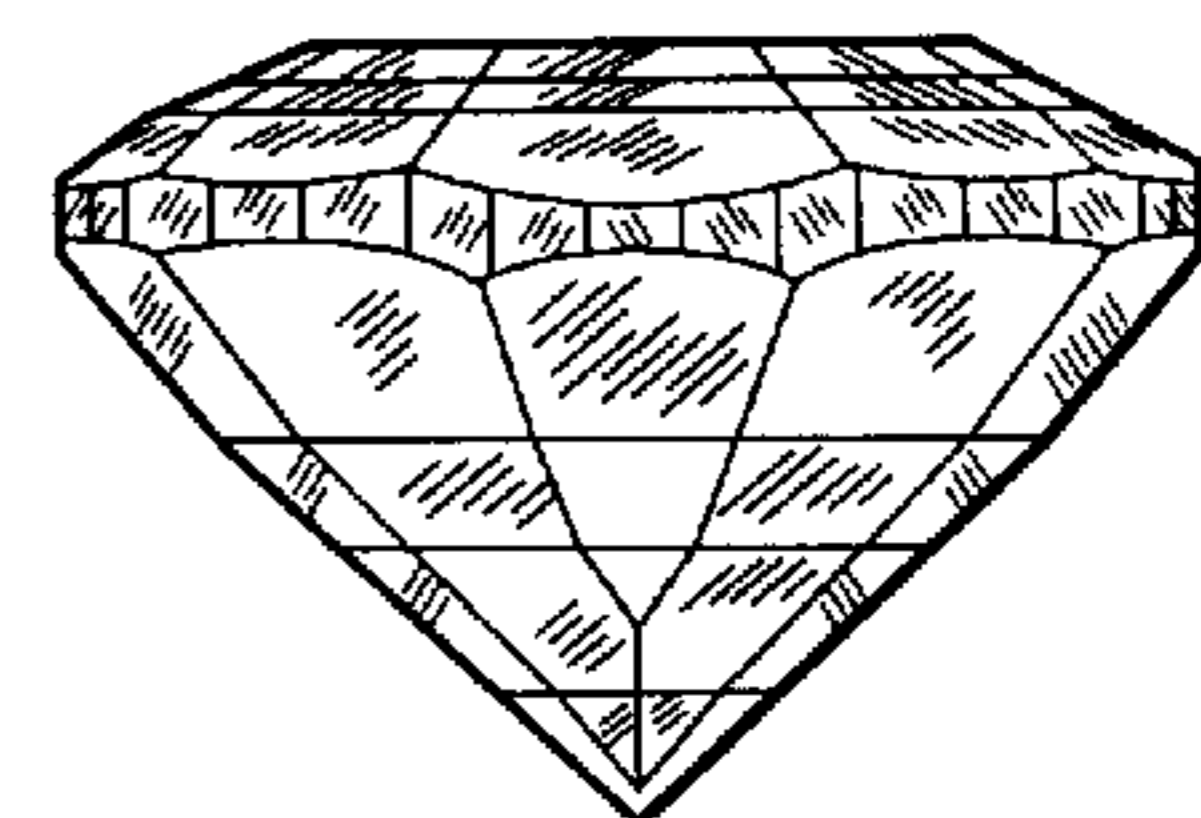


FIG. 17