

US00D397952S

United States Patent [19]

Bruce et al.

[11] Patent Number: **Des. 397,952**

[45] Date of Patent: ****Sep. 8, 1998**

[54] PORTION OF A WATCH HOUSING

[75] Inventors: **Robert M. Bruce**, San Francisco; **Brett C. Lovelady**, Saratoga; **Kyle N. Swen**, Campbell, all of Calif.

[73] Assignee: **Nike, Inc.**, Beaverton, Oreg.

[**] Term: **14 Years**

[21] Appl. No.: **79,639**

[22] Filed: **Dec. 8, 1997**

[51] **LOC (6) Cl.** **10-02**

[52] **U.S. Cl.** **D10/128**

[58] **Field of Search** D10/1-40, 122-132;
368/280-282, 276-277, 28-30, 285, 239-242,
82-84, 41-44

[56] References Cited

U.S. PATENT DOCUMENTS

D. 260,493	9/1981	Link	D10/38
D. 297,622	9/1988	Lee	D10/38
D. 339,989	10/1993	Parsons	D10/30
D. 389,747	1/1998	Ramos	D10/30

FOREIGN PATENT DOCUMENTS

2591442	6/1987	France	368/282 X
3811403	10/1989	Germany	368/281 X

OTHER PUBLICATIONS

Design—Feb. 1976—p. 3u—Watch at bottom—left.

European Jeweler—Jun. 1973—p. 28 Watch at center—right.

Primary Examiner—Nelson C. Holtje

Attorney, Agent, or Firm—Klarquist Sparkman Campbell Leigh & Winston, LLP

[57] CLAIM

The ornamental design for a portion of a watch housing, as shown and described.

DESCRIPTION

FIG. 1 is a perspective view of a portion of a watch housing in accordance with our invention;

FIG. 2 is a front view of the portion of a watch housing of FIG. 1;

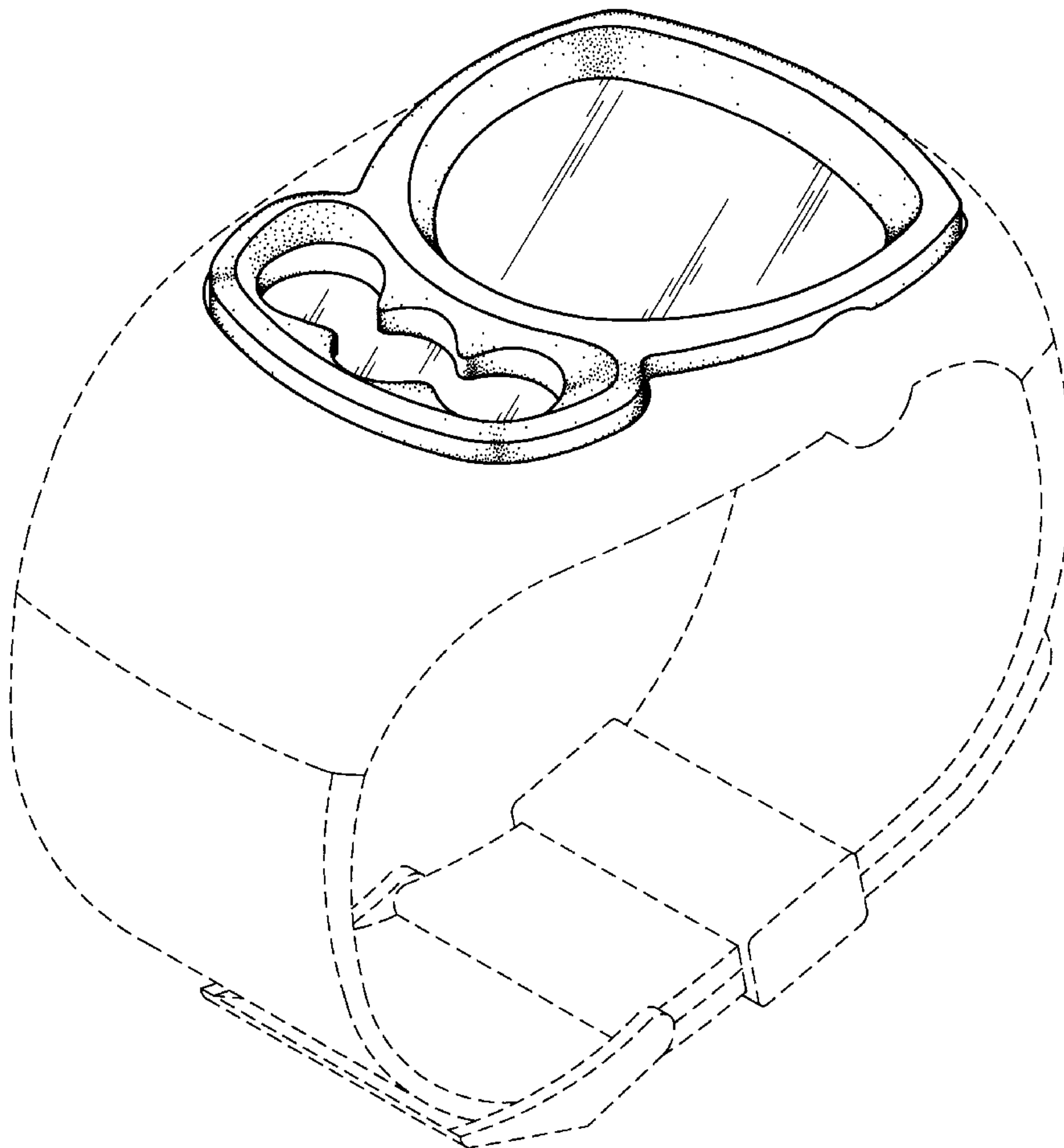
FIG. 3 is a left side view of the portion of a watch housing of FIG. 1;

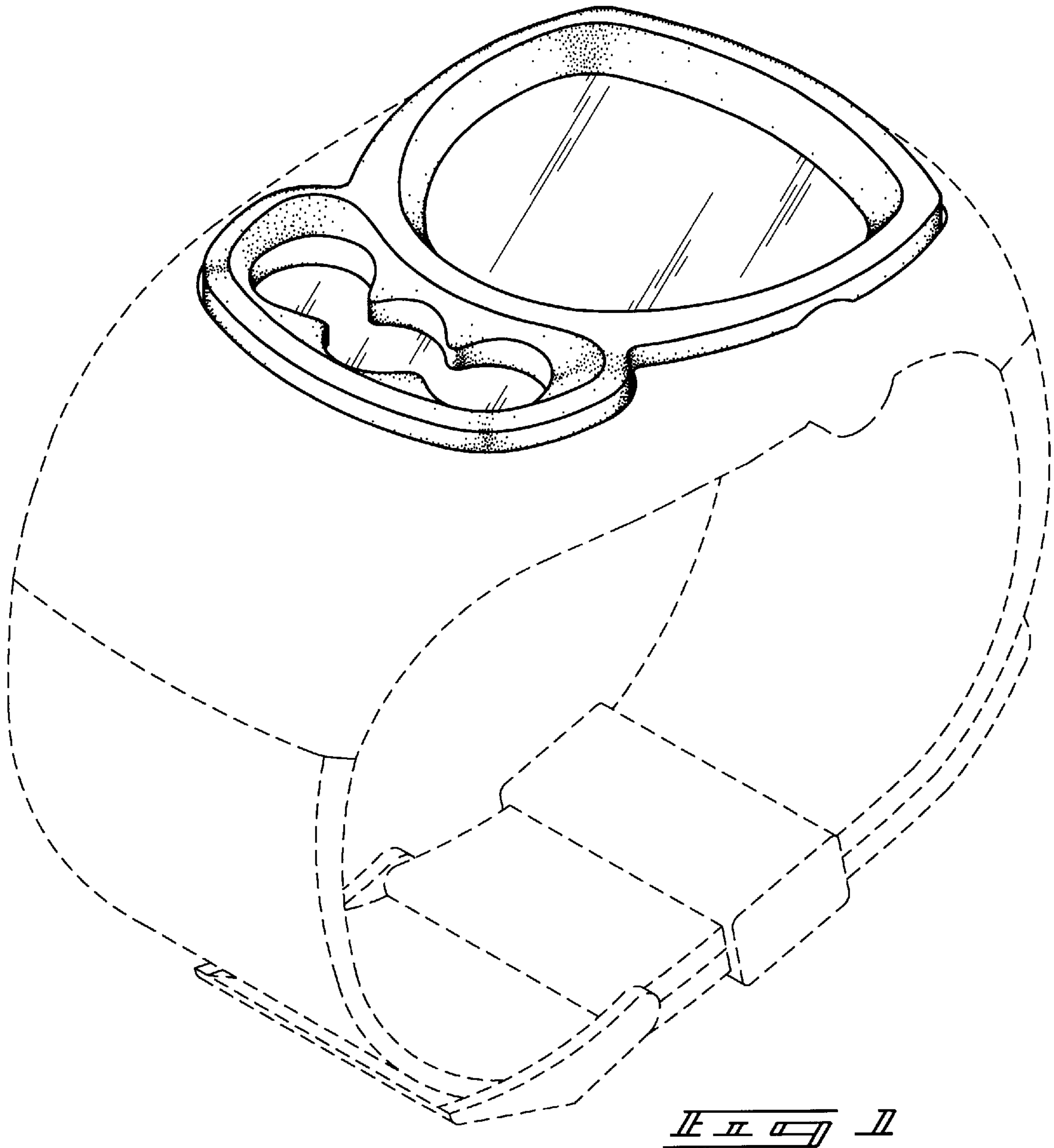
FIG. 4 is a top view of the portion of a watch housing of FIG. 1; and,

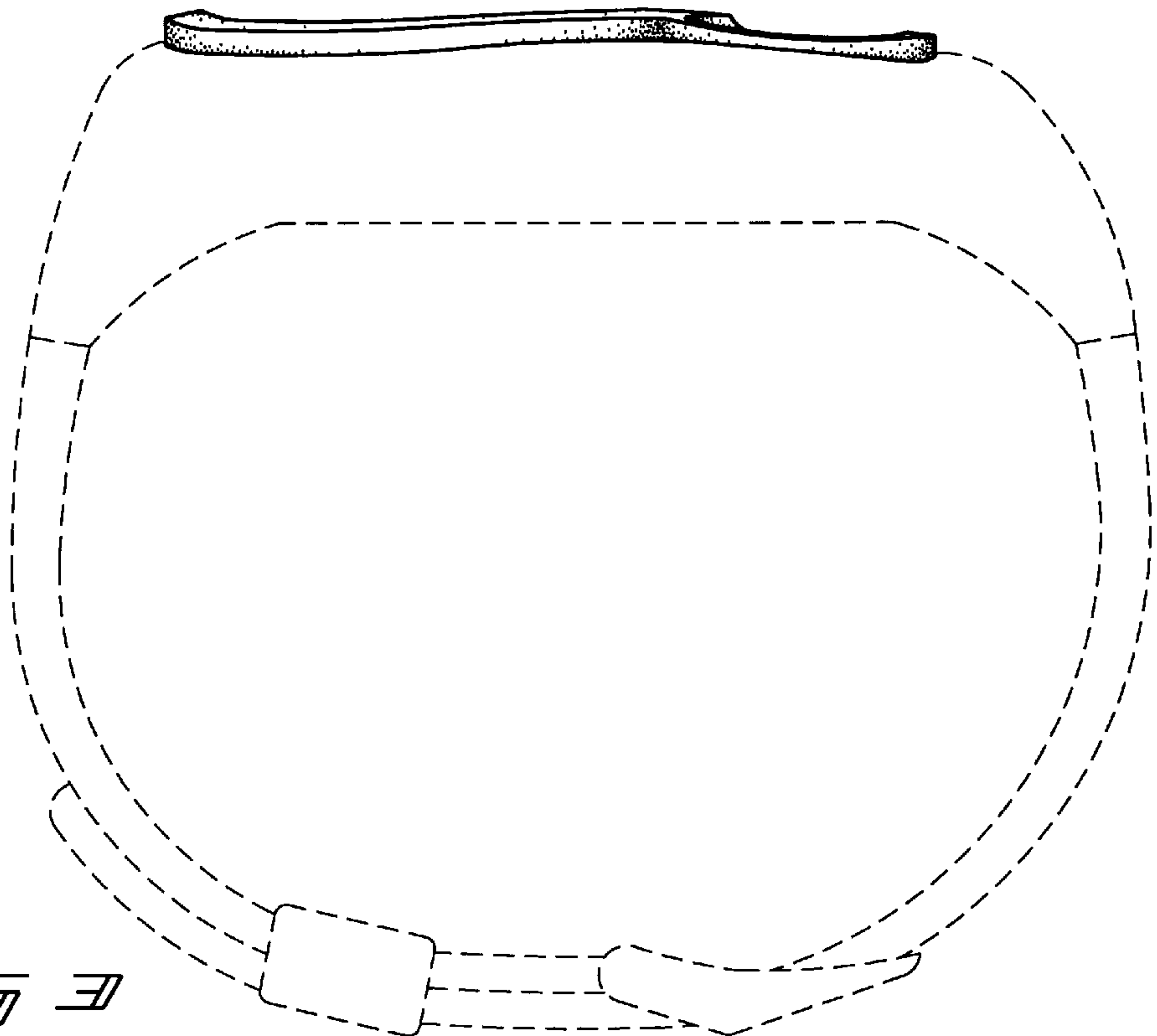
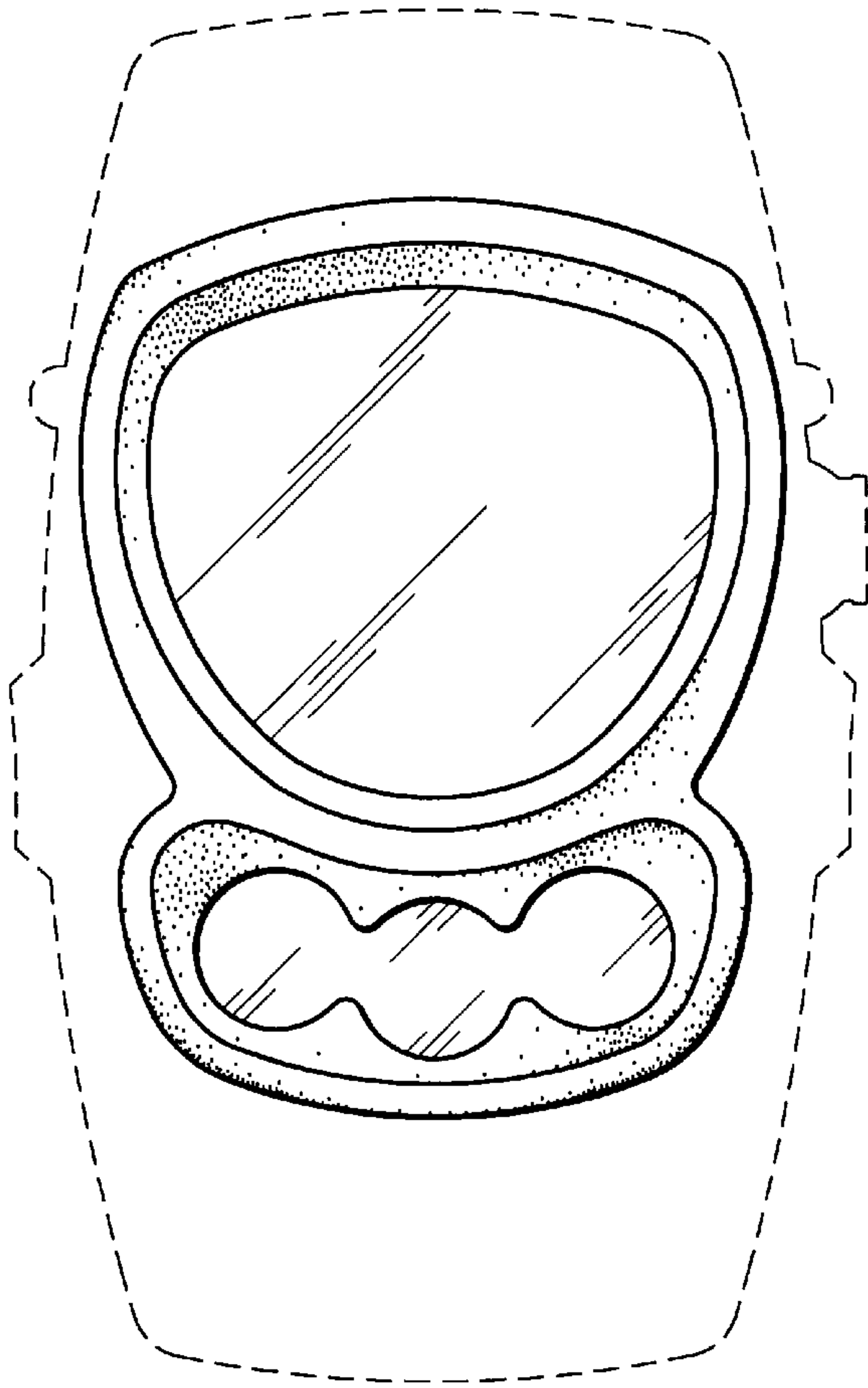
FIG. 5 is a bottom view of the portion of a watch housing of FIG. 1.

The broken lines show the watch band and remainder of the watch housing for illustrative purposes only and form no part of the claimed design.

1 Claim, 3 Drawing Sheets







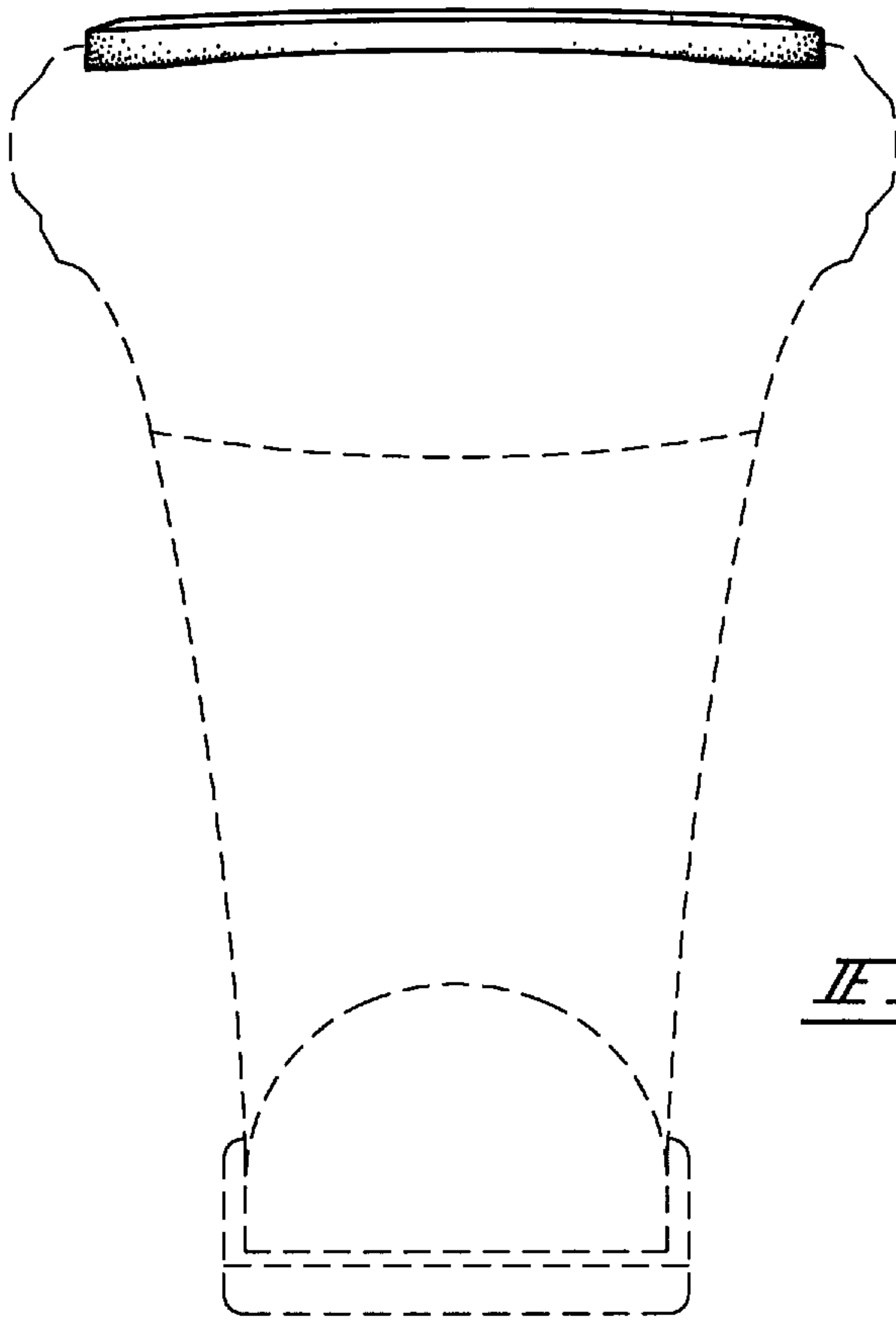


Fig. 4

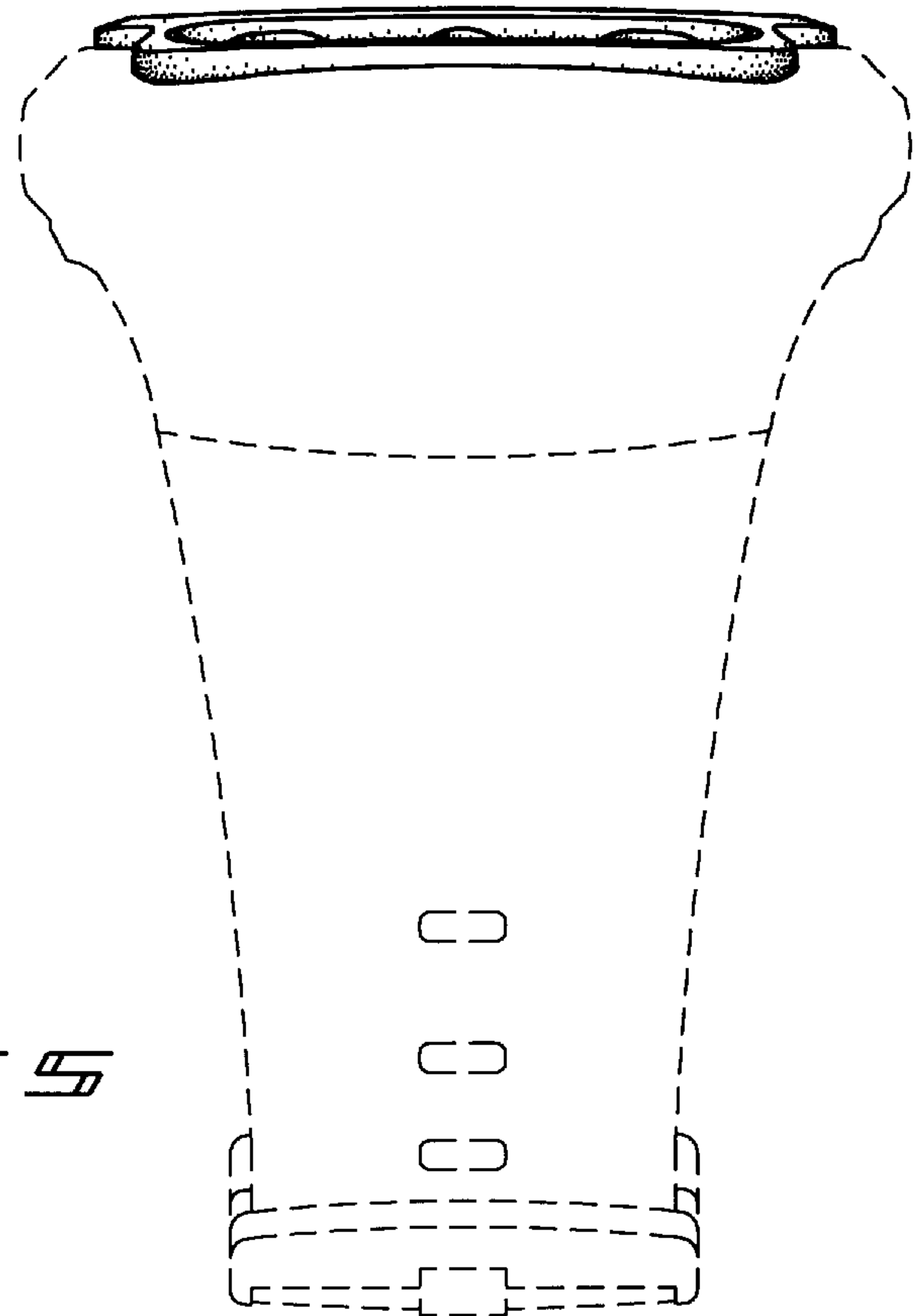


Fig. 5