



US00D397950S

United States Patent [19]

Blackman et al.

[11] **Patent Number: Des. 397,950**

[45] **Date of Patent: **Sep. 8, 1998**

[54] **TAPE MEASURE HOUSING**

[75] Inventors: **William Cecil Blackman**, Raleigh;
Michael Joseph Bobay, Holly Springs;
Edgar Thomas Gilliam, Franklinton;
John Bradley Moody, Raleigh, all of
N.C.

[73] Assignee: **Cooper Industries Inc.**, Houston, Tex.

[**] Term: **14 Years**

[21] Appl. No.: **77,920**

[22] Filed: **Oct. 14, 1997**

Related U.S. Application Data

[62] Division of Ser. No. 906,034, Aug. 5, 1997.

[51] **LOC (6) Cl.** **10-04**

[52] **U.S. Cl.** **D10/72**

[58] **Field of Search** D10/72; 33/755-771

[56] References Cited

U.S. PATENT DOCUMENTS

D. 195,733 7/1963 Kane D10/72

D. 347,243 5/1994 Thomas-Cote et al. D10/72
5,319,805 6/1994 Holcomb et al. 33/761 X
5,477,619 12/1995 Kearns 33/768 X
5,671,543 9/1997 Sears 33/768 X

Primary Examiner—Antoine Duval Davis
Attorney, Agent, or Firm—Burns, Doane, Swecker &
Mathis, L.L.P.

[57] CLAIM

The ornamental design for a tape measure housing, as shown.

DESCRIPTION

FIG. 1 is a front perspective view of a tape measure housing showing our new design;
FIG. 2 is a front view thereof;
FIG. 3 is a right side view thereof;
FIG. 4 is a top view thereof;
FIG. 5 is a left side view thereof;
FIG. 6 is a bottom view thereof; and,
FIG. 7 is a front perspective view showing the winding handle in an open position.

1 Claim, 4 Drawing Sheets

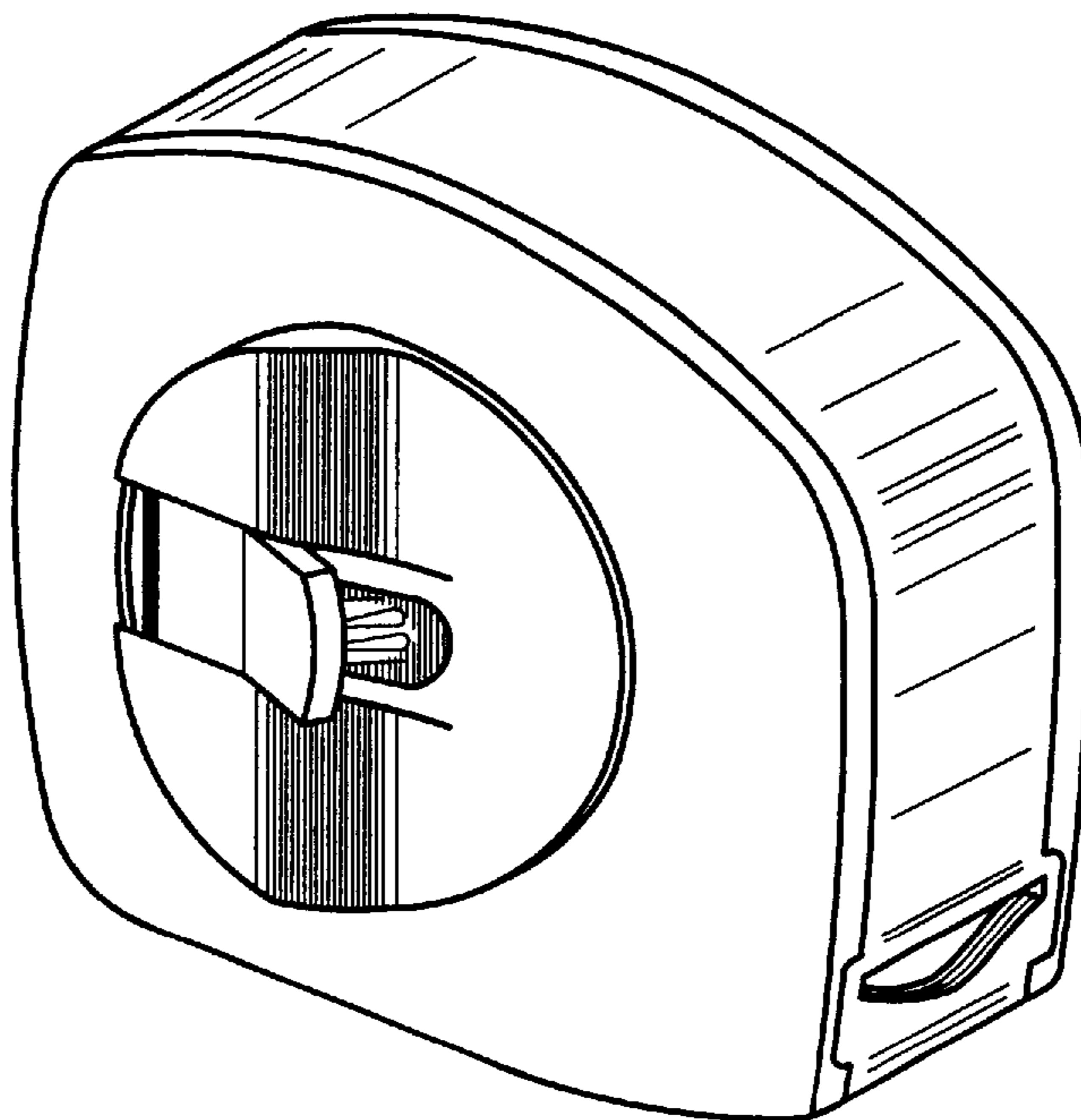


FIG. 1

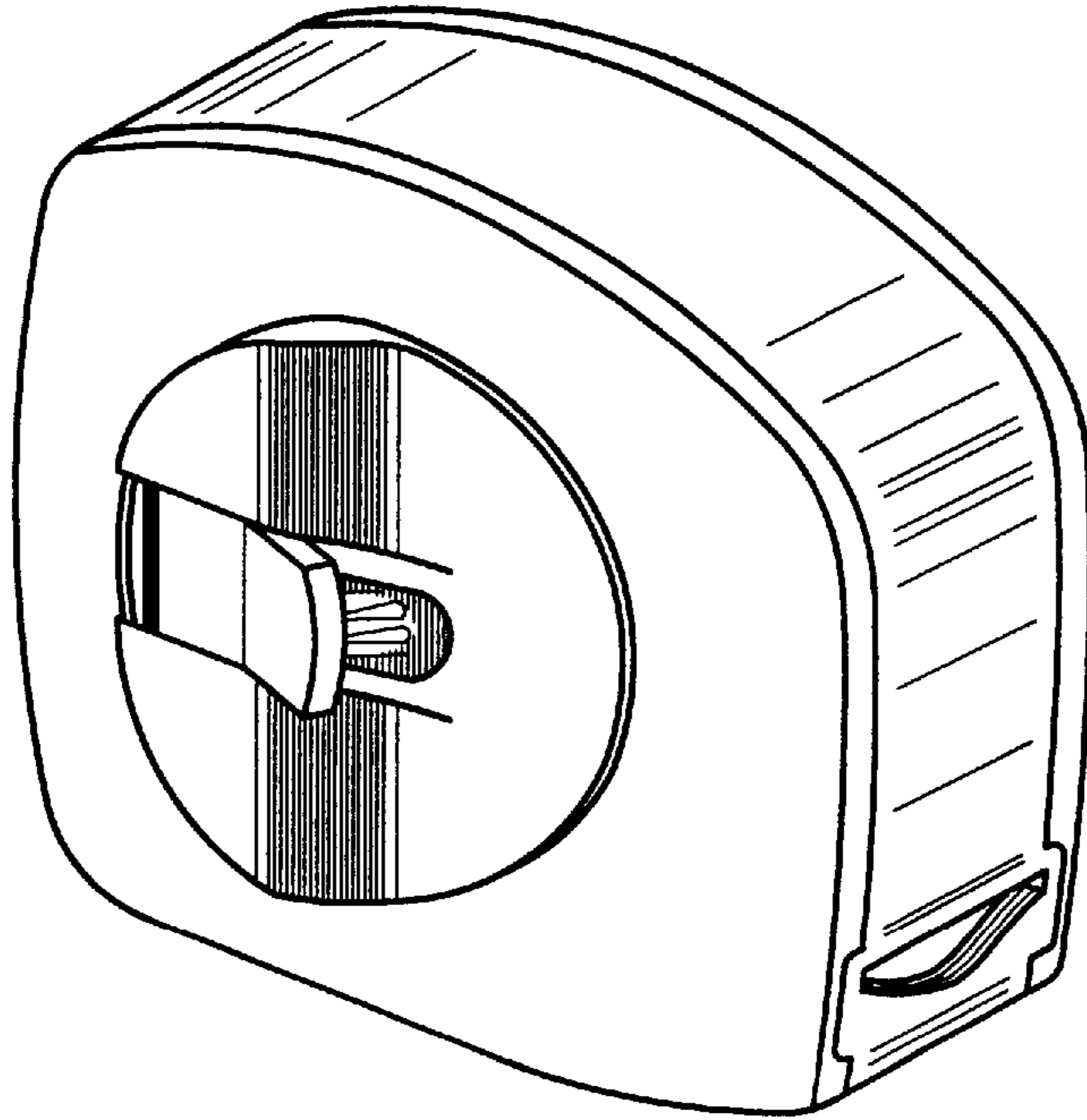


FIG. 2

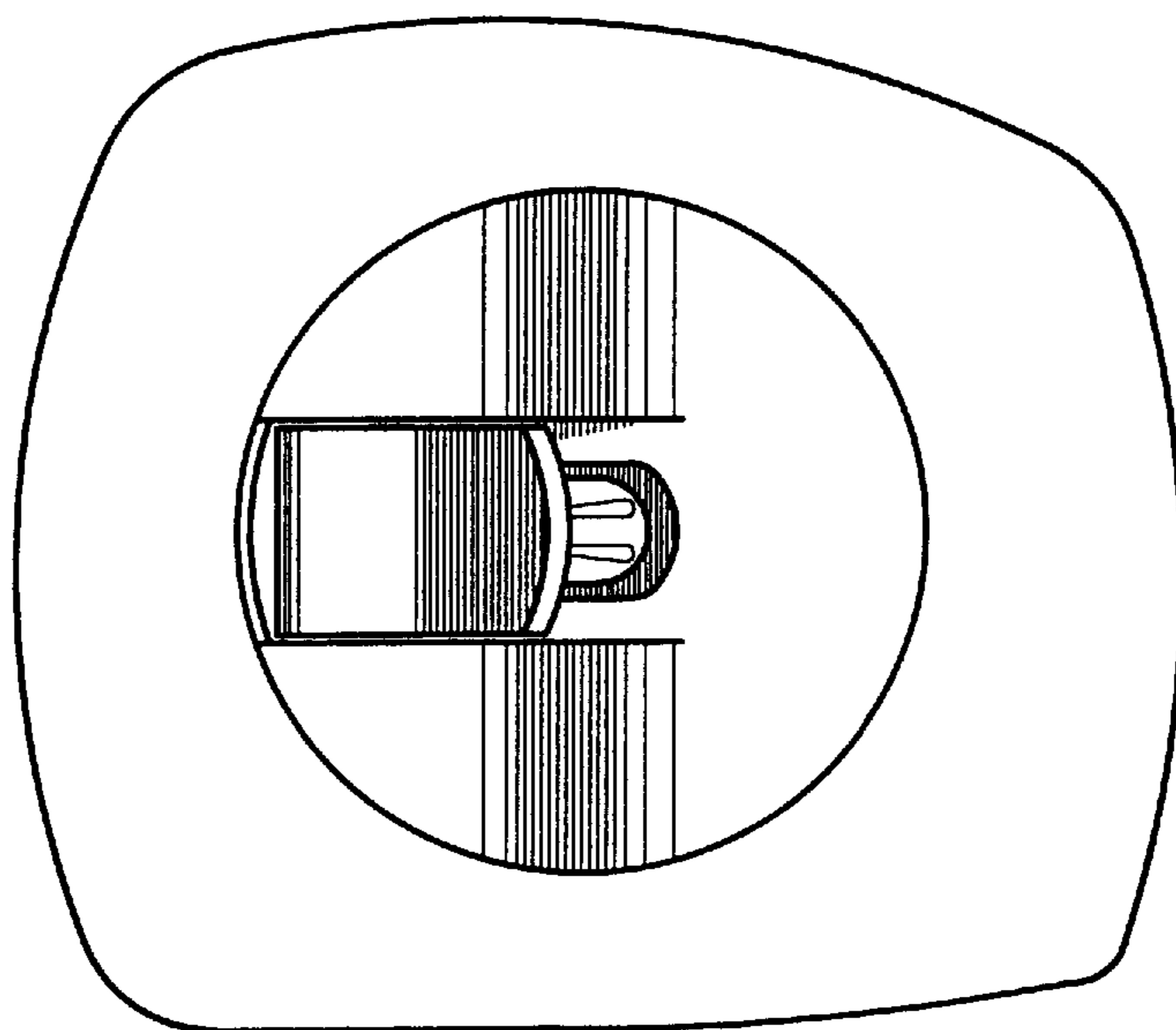


FIG. 3

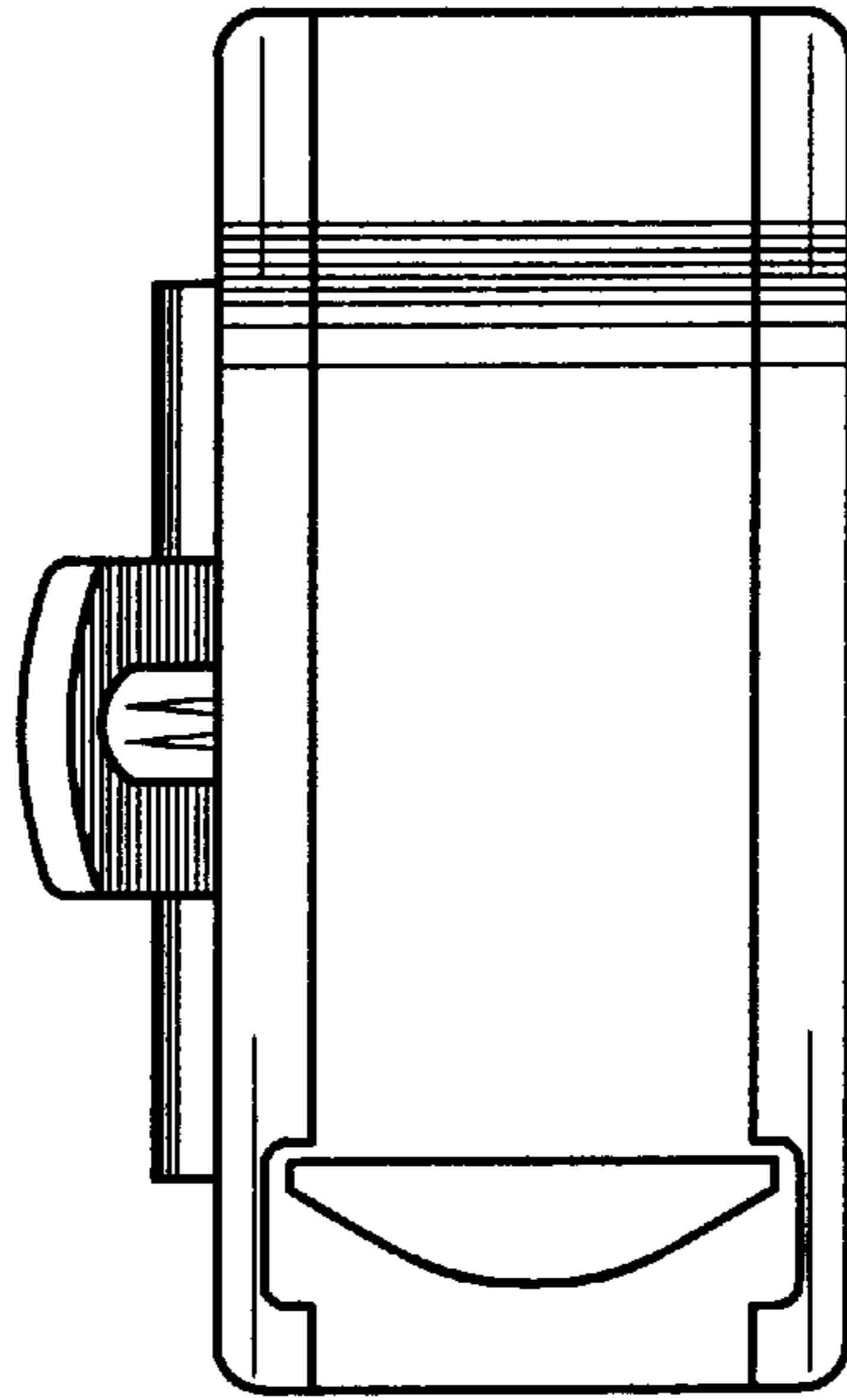


FIG. 5

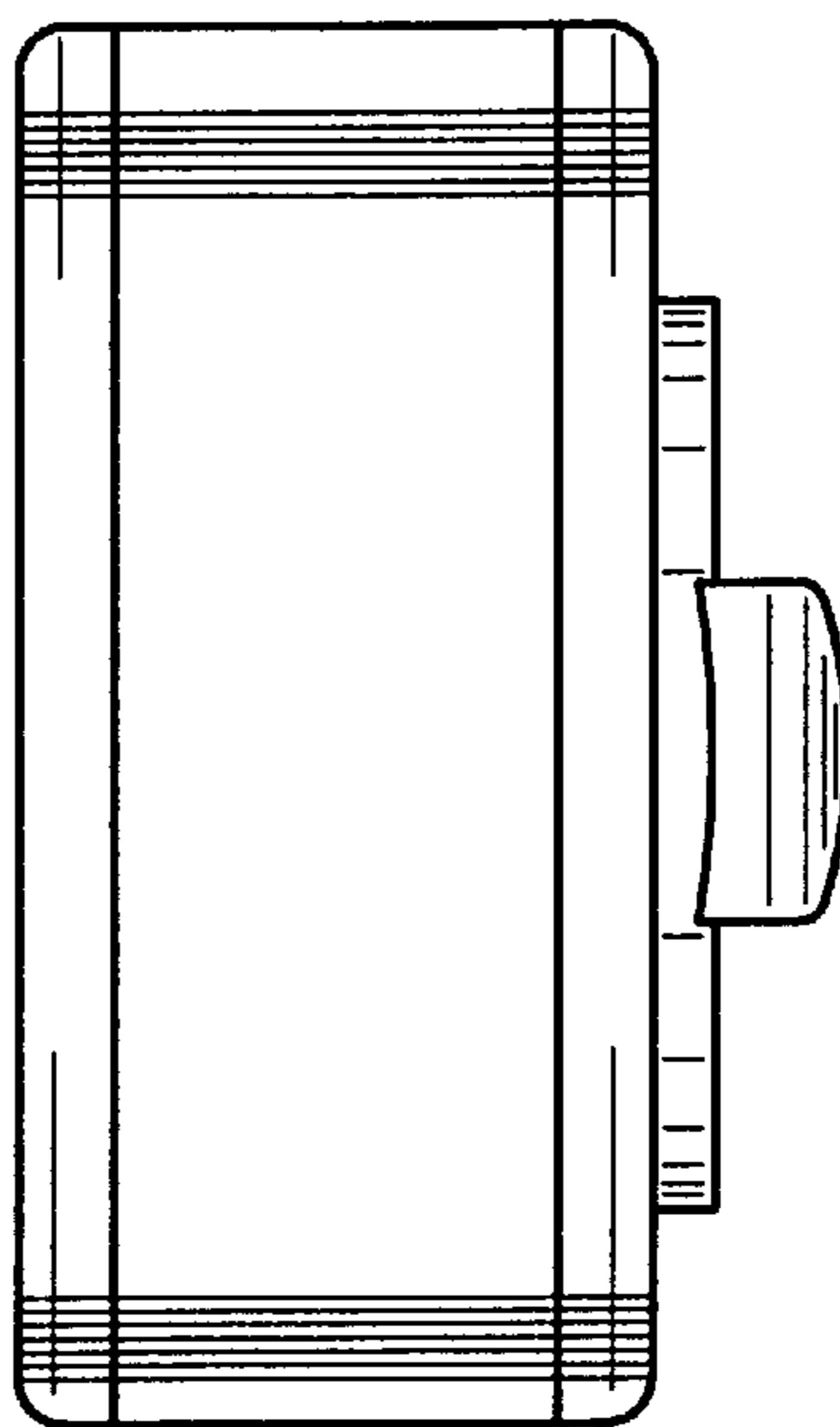


FIG. 4

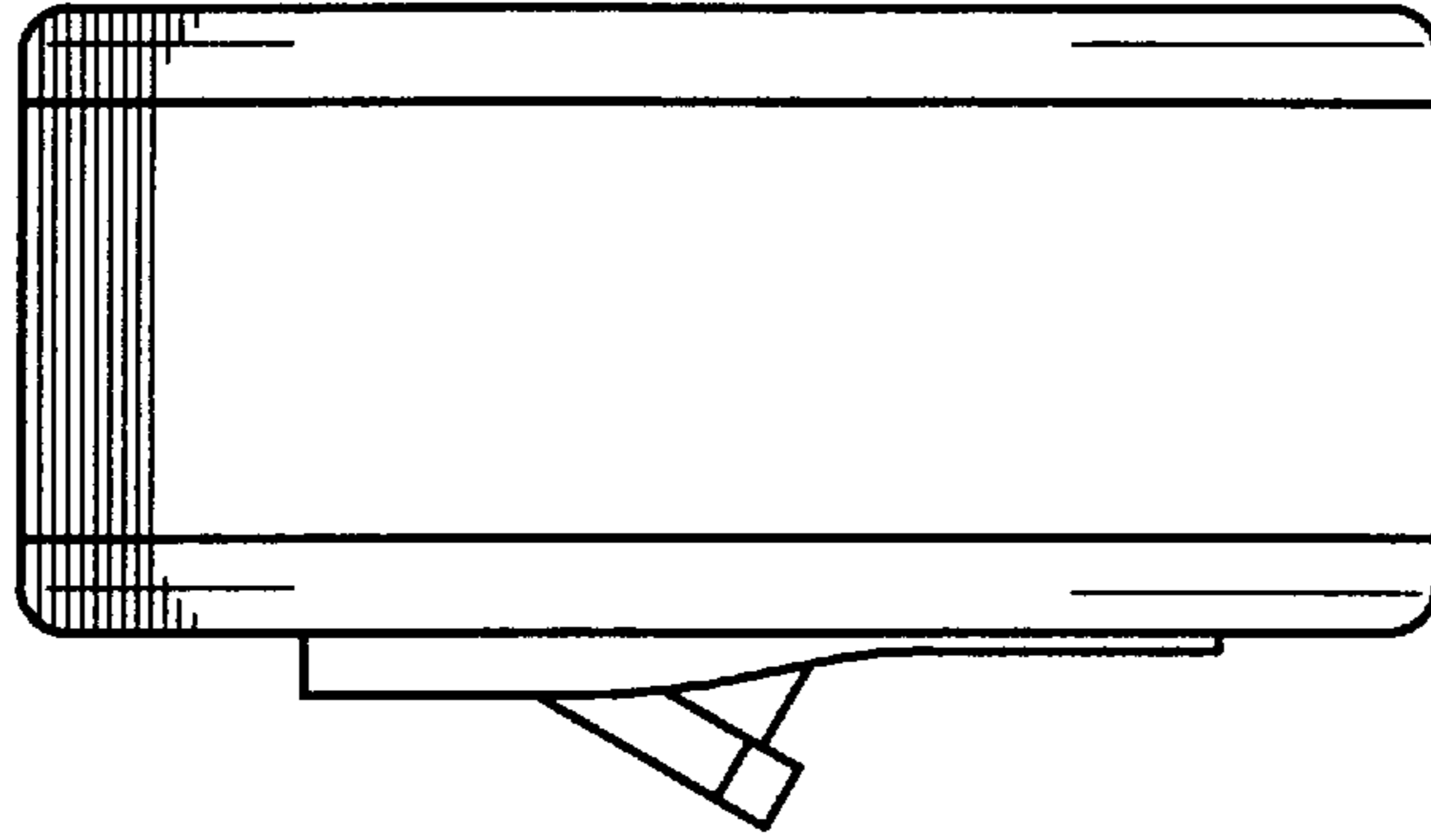


FIG. 6

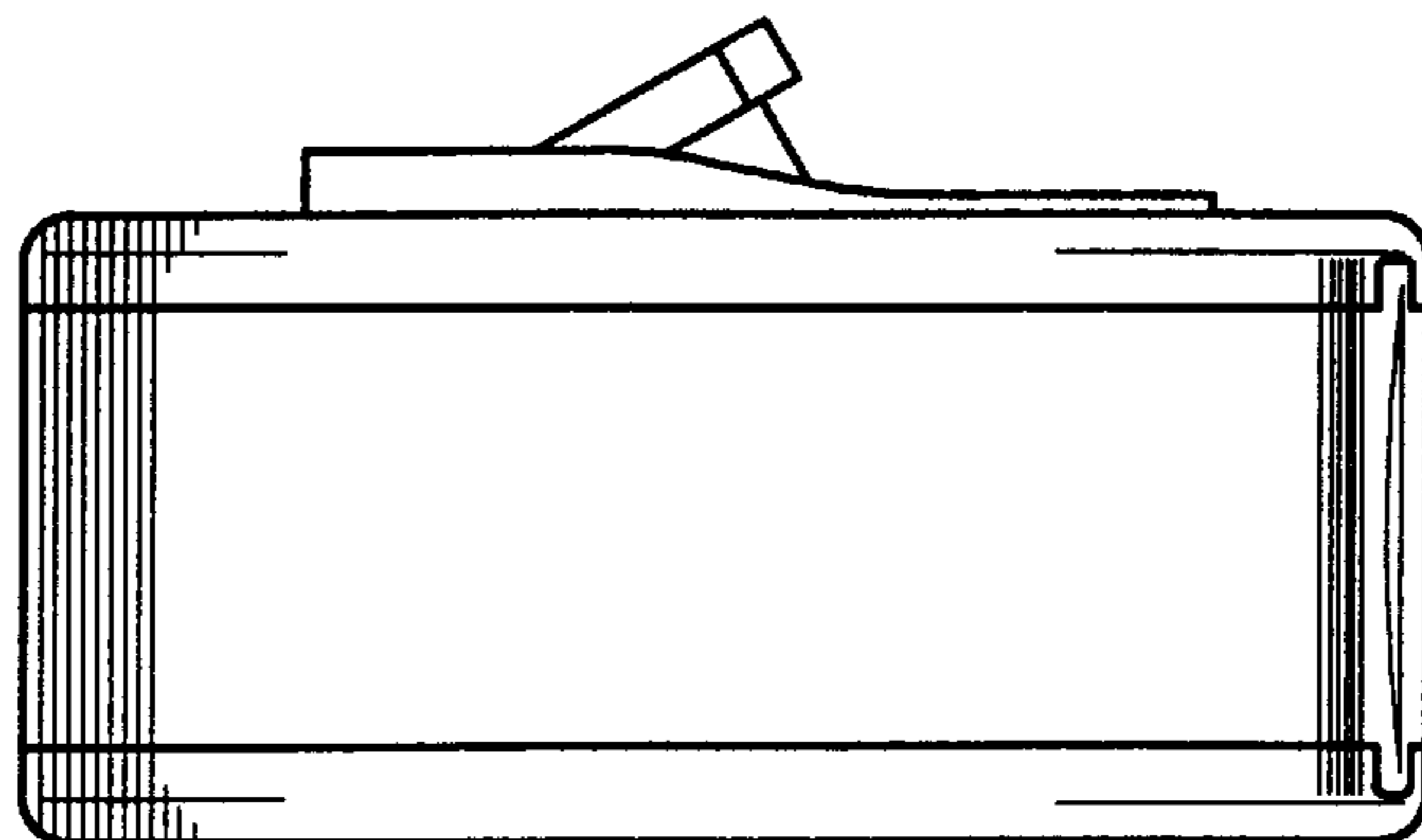


FIG. 7

