



US00D397949S

United States Patent [19]
Azzopardi

[11] **Patent Number: Des. 397,949**

[45] **Date of Patent: **Sep. 8, 1998**

[54] **TAPE MEASURE WITH PENCIL SHARPENING DEVICE**
[76] Inventor: **Adrian P. Azzopardi**, R.R. #1,
Georgetown, Ontario, Canada, L7G 4S4
[**] Term: **14 Years**
[21] Appl. No.: **77,339**
[22] Filed: **Sep. 30, 1997**
[51] **LOC (6) Cl.** **10-02**
[52] **U.S. Cl.** **D10/72; D10/73; D10/62**
[58] **Field of Search** **D10/62, 72; 33/755-771;**
D19/73

5,458,946 10/1995 White, Jr. 33/758 X

Primary Examiner—Antoine Duval Davis

[57] **CLAIM**

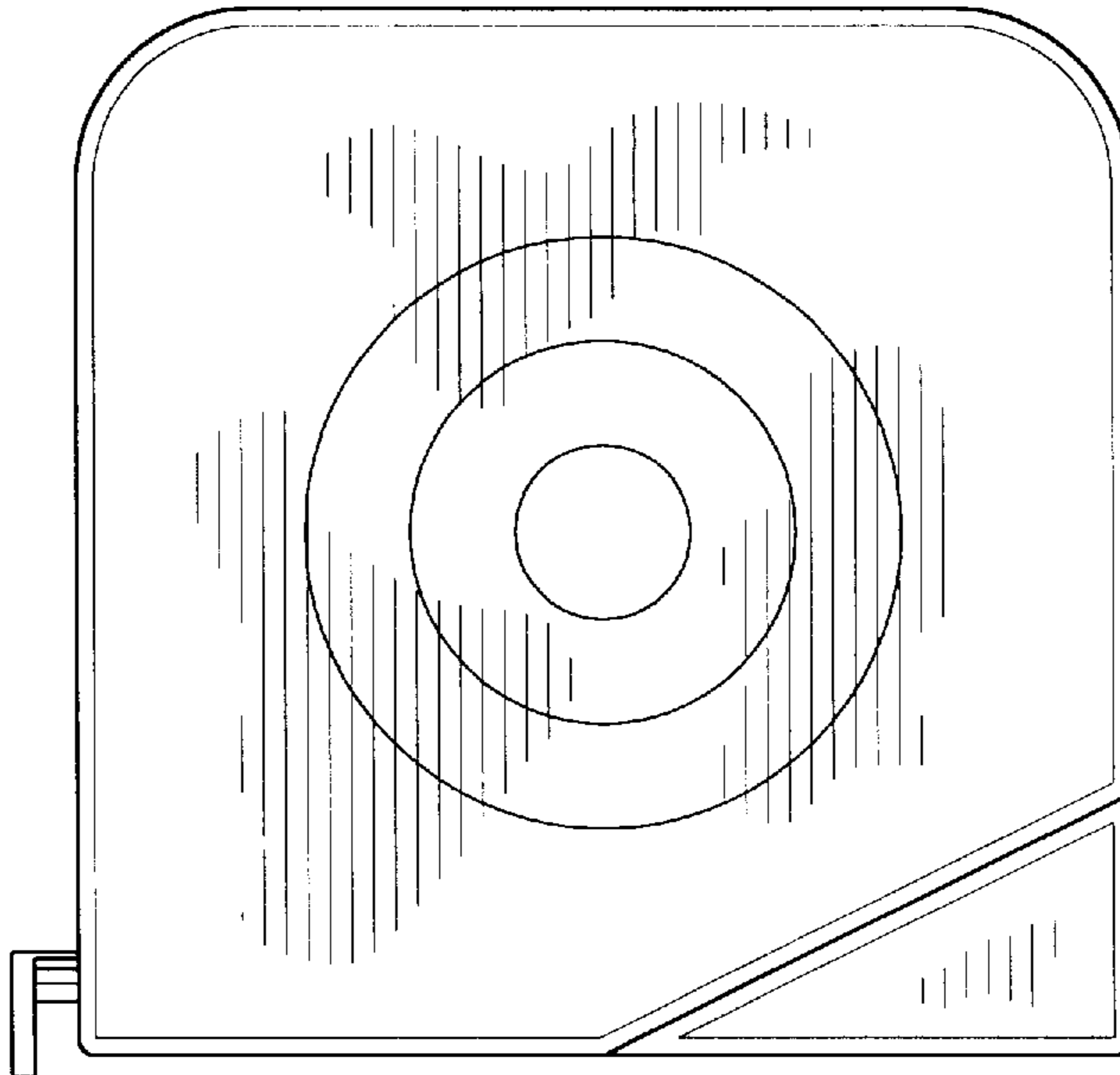
The ornamental design for a tape measure with pencil sharpening device, as shown.

DESCRIPTION

FIG. 1 is a left side plan view of the tape measure with pencil sharpening device of the present invention;
FIG. 2 is a right side plan view of the tape measure with pencil sharpening device of FIG. 1;
FIG. 3 is a front plan view of the tape measure with pencil sharpening device FIG. 1;
FIG. 4 is a back plan view of the tape measure with pencil sharpening device of FIG. 1;
FIG. 5 is a top plan view of the tape measure with pencil sharpening device of FIG. 1; and,
FIG. 6 is a bottom plan view of the tape measure with pencil sharpening device of FIG. 1.

[56] **References Cited**
U.S. PATENT DOCUMENTS
D. 225,173 11/1972 Quenot D10/72
3,242,578 3/1966 Moll 33/428
4,729,171 3/1988 Samson 33/760
5,367,785 11/1994 Benarroch 33/767

1 Claim, 3 Drawing Sheets



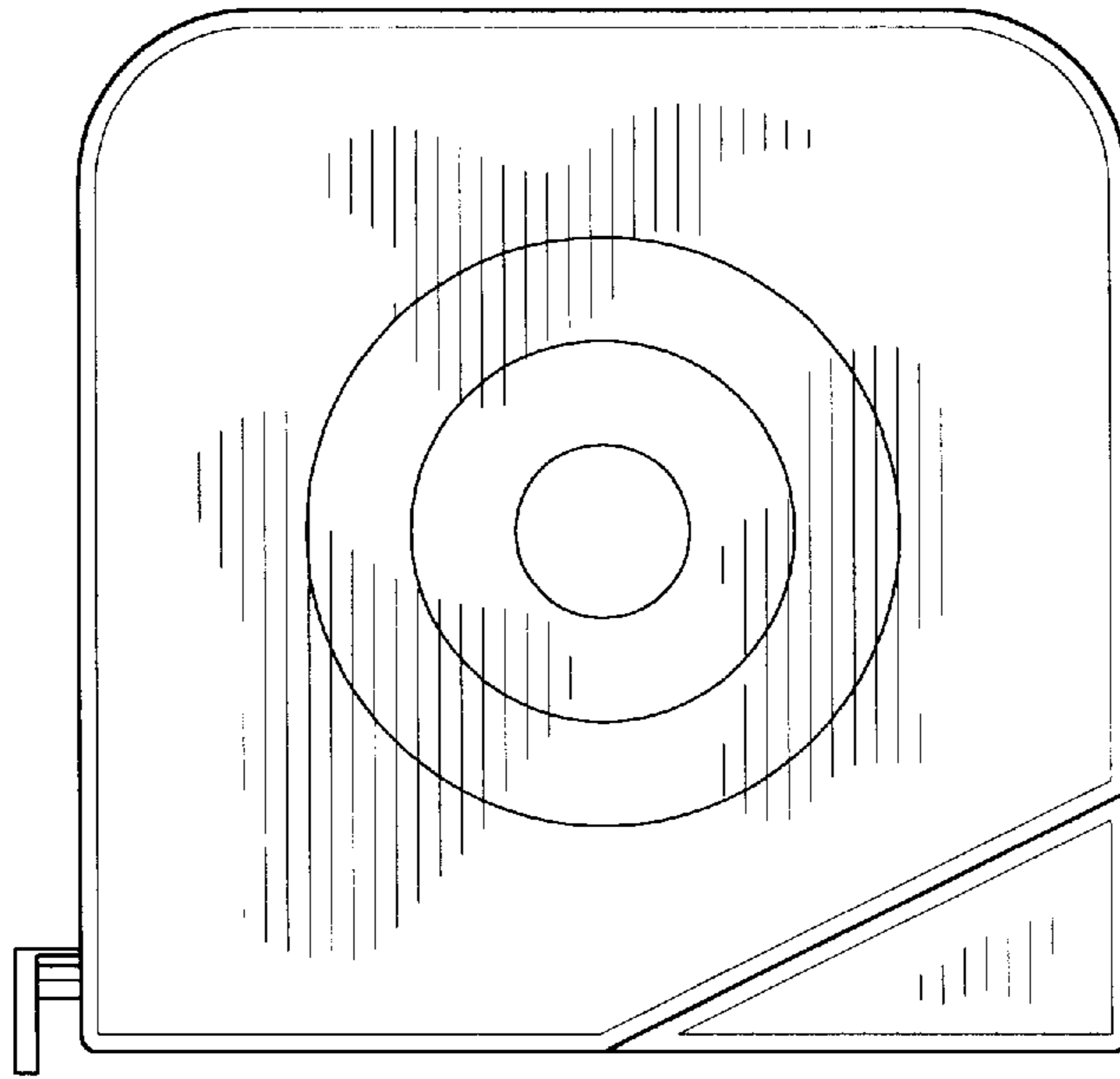


Fig. 1

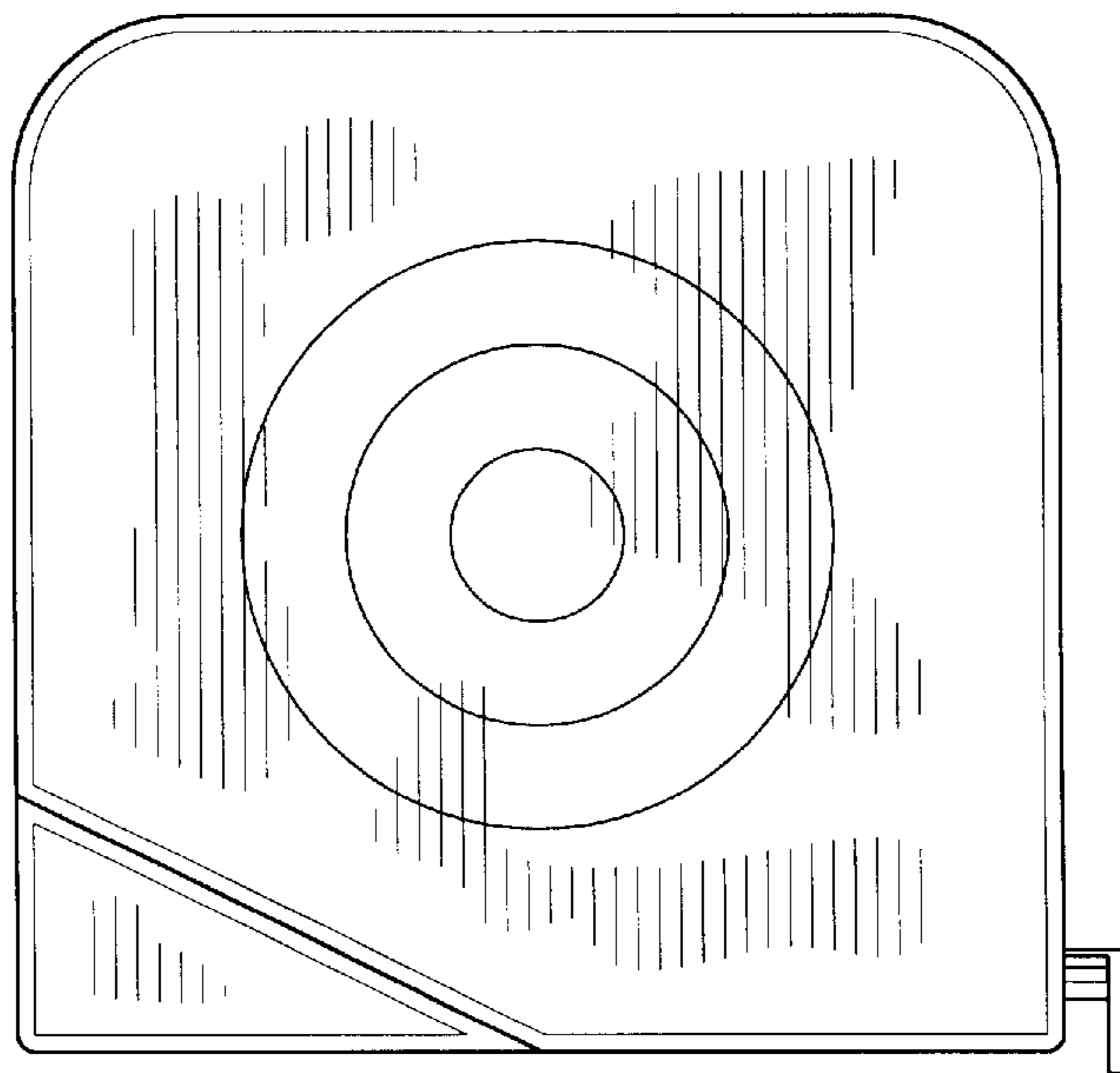


Fig. 2

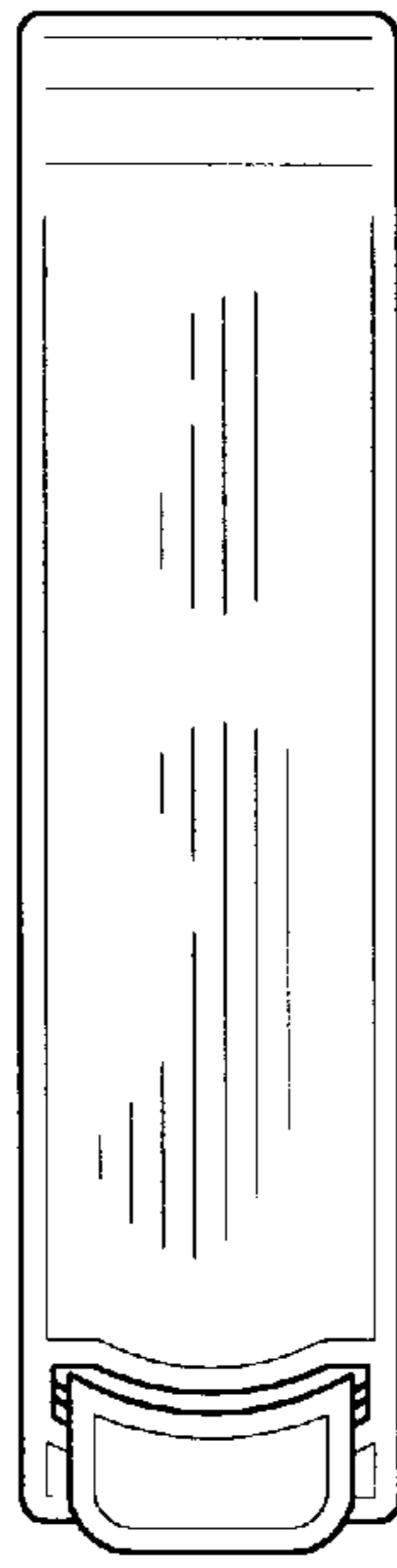


Fig. 3

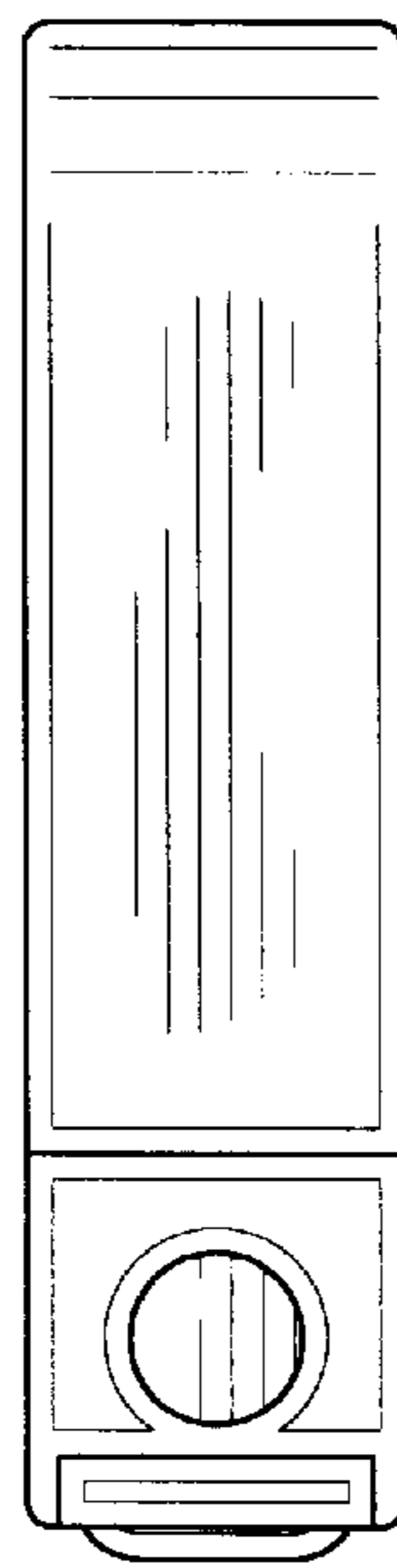


Fig. 4

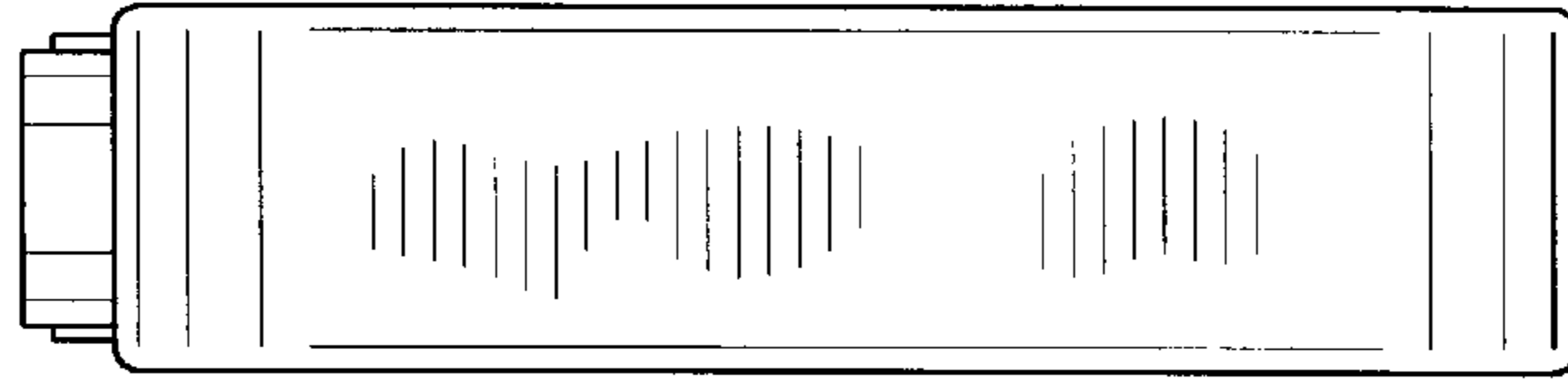


Fig. 5

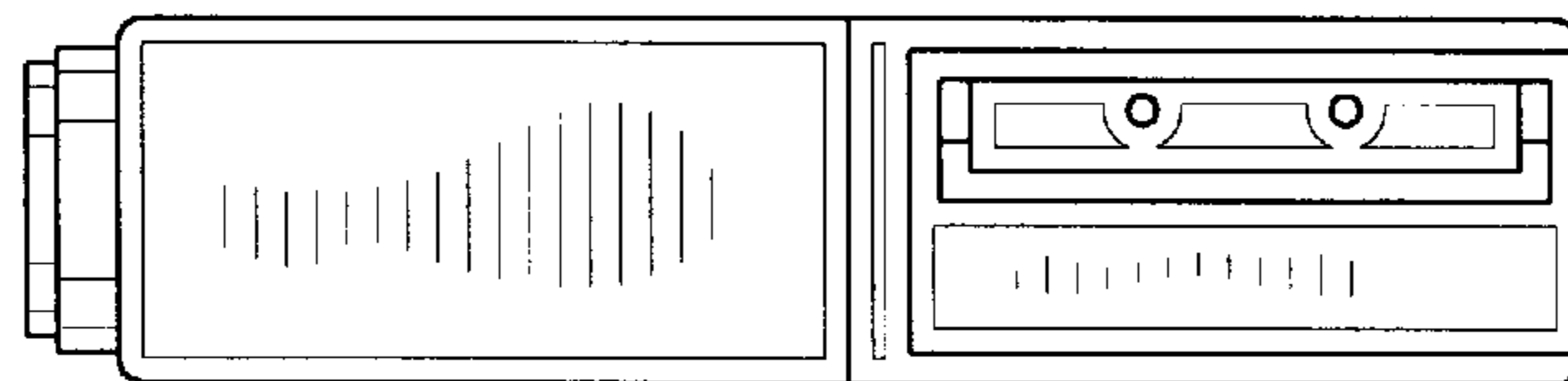


Fig. 6