



US00D397943S

**United States Patent** [19]  
**Levinger**

[11] **Patent Number: Des. 397,943**

[45] **Date of Patent: \*\*Sep. 8, 1998**

[54] **TRAVEL ALARM CLOCK**

[75] Inventor: **Frederick N. Levinger**, Providence, R.I.

[73] Assignee: **Colibri Corporation**, Providence, R.I.

[\*\*] Term: **14 Years**

[21] Appl. No.: **77,336**

[22] Filed: **Oct. 2, 1997**

[51] **LOC (6) Cl.** ..... **10-01**

[52] **U.S. Cl.** ..... **D10/18; D10/22; D10/23**

[58] **Field of Search** ..... **D10/1-40, 122-132; 368/10, 276-277, 280-282, 285**

[56] **References Cited**

**U.S. PATENT DOCUMENTS**

D. 309,572	7/1990	Suzuki	.....	D10/18
D. 323,989	2/1992	Burgener	.....	D10/18
D. 336,249	6/1993	Sugano	.....	D10/21
D. 337,951	8/1993	Bruzzi	.....	D10/18 X
D. 344,459	2/1994	Sugano	.....	D10/22
D. 361,519	8/1995	Inura	.....	D10/18

*Primary Examiner*—Nelson C. Holtje  
*Attorney, Agent, or Firm*—Salter & Michaelson

[57] **CLAIM**

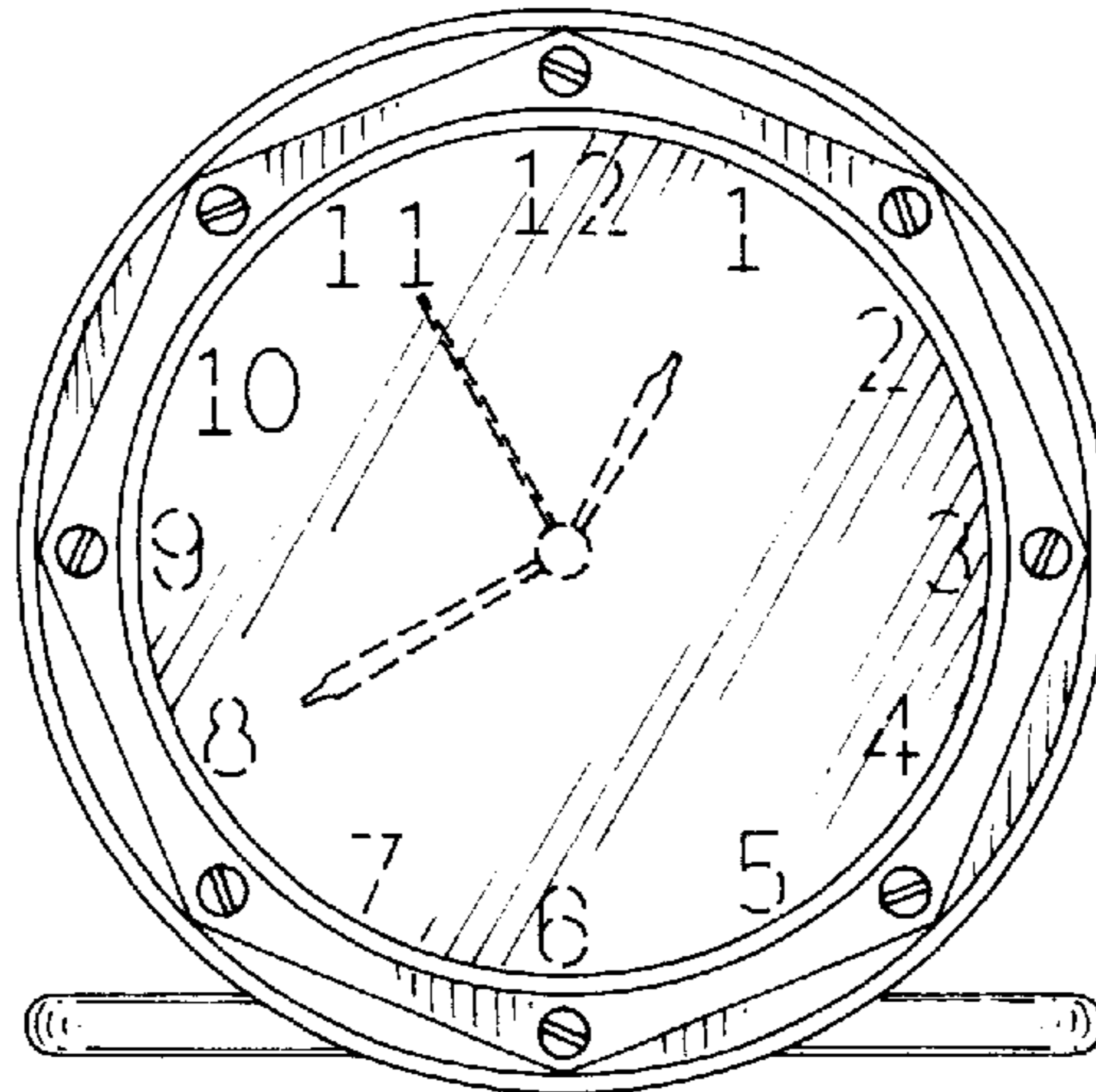
The ornamental design for a travel alarm clock, as shown and described.

**DESCRIPTION**

FIG. 1 is a front view of my new design;  
FIG. 2 is a back view thereof;  
FIG. 3 is a left side view thereof;  
FIG. 4 is a right side view thereof;  
FIG. 5 is a top view thereof;  
FIG. 6 is a bottom view thereof;  
FIG. 7 is a front view showing the support stand in an open position;  
FIG. 8 is a back view thereof;  
FIG. 9 is a left side view thereof;  
FIG. 10 is a top view thereof; and,  
FIG. 11 is a bottom view thereof.

The portions shown in broken lines in FIGS. 1 and 7 are for information only, and form no part of the instant design.

**1 Claim, 2 Drawing Sheets**



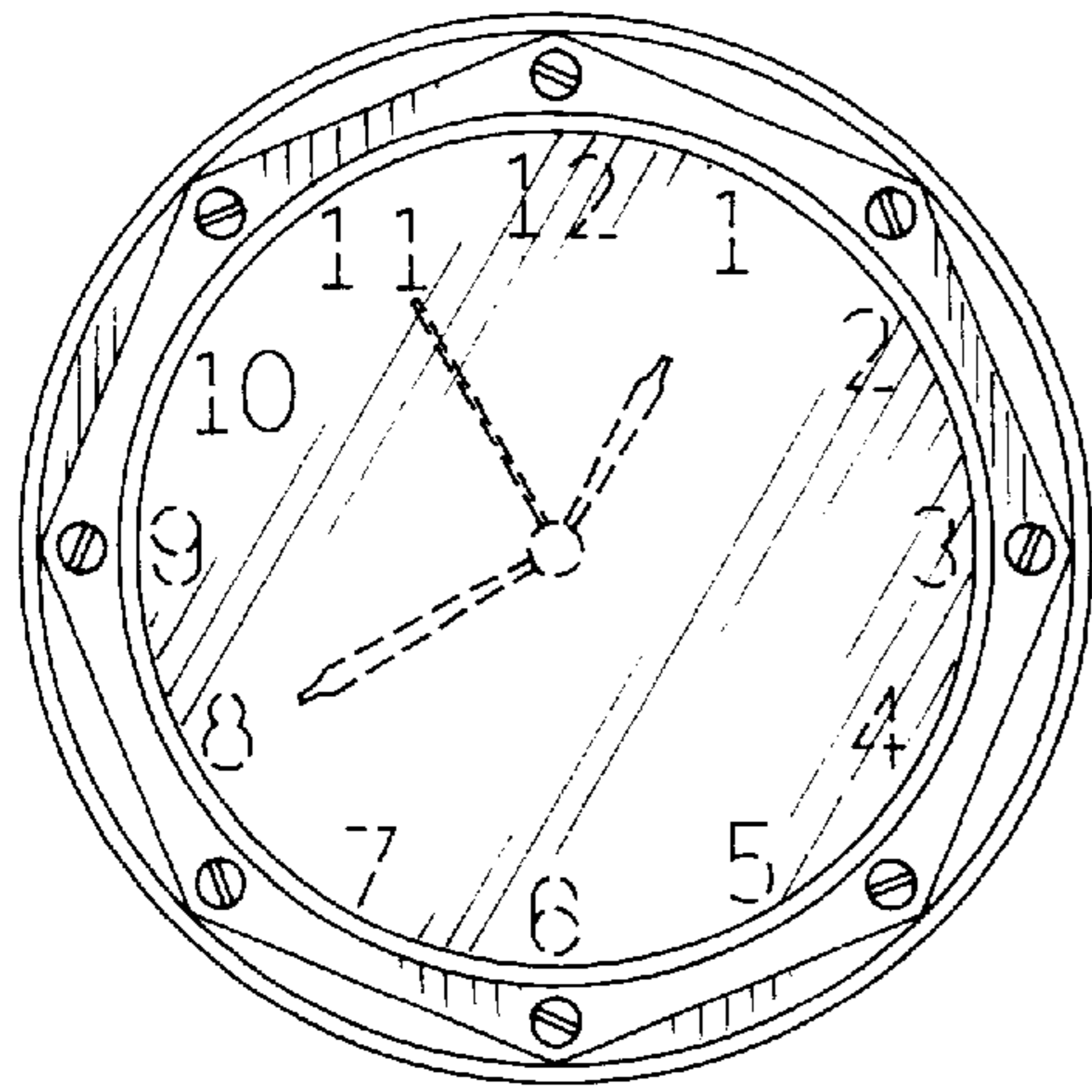


FIG. 1

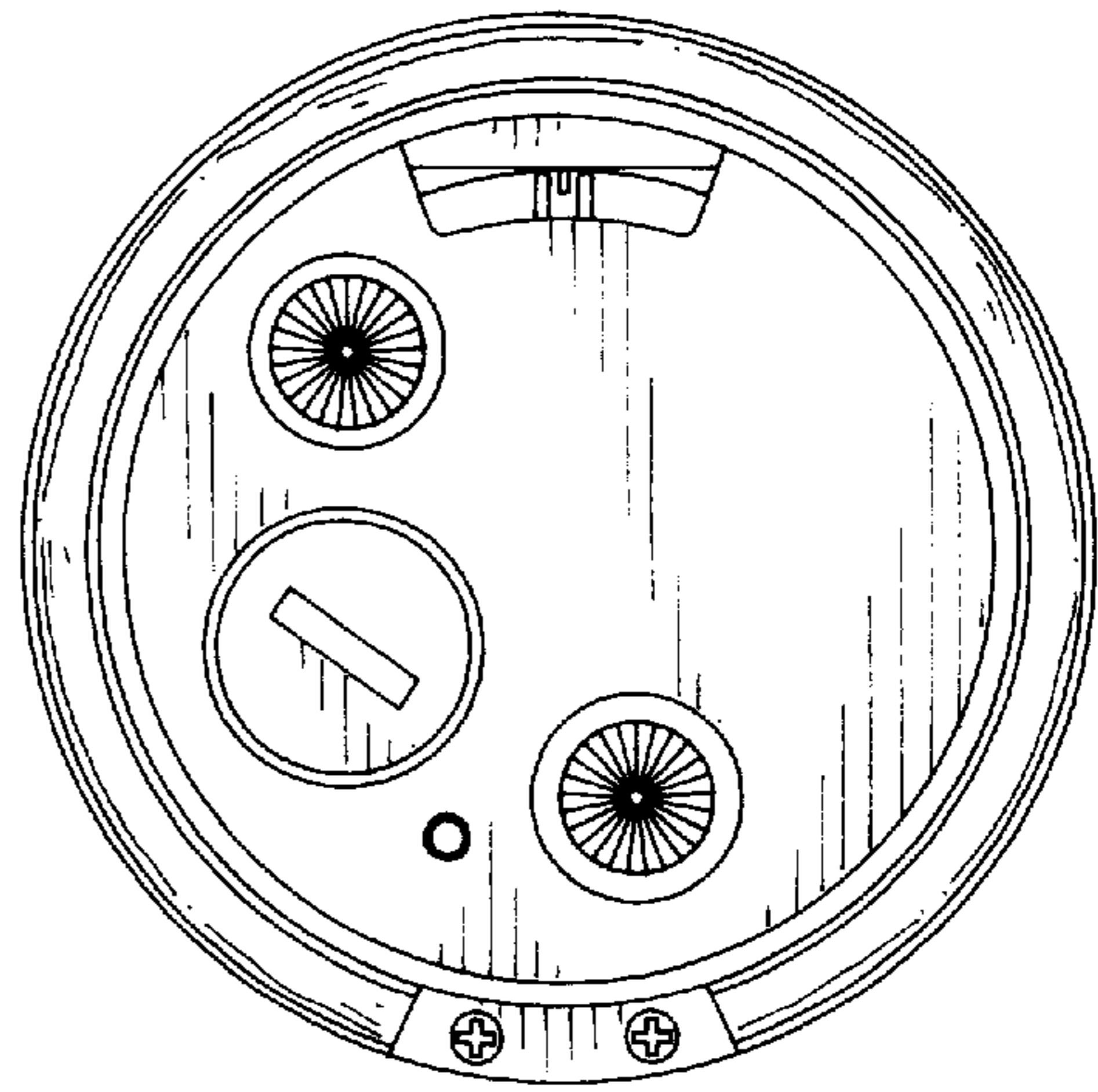


FIG. 2

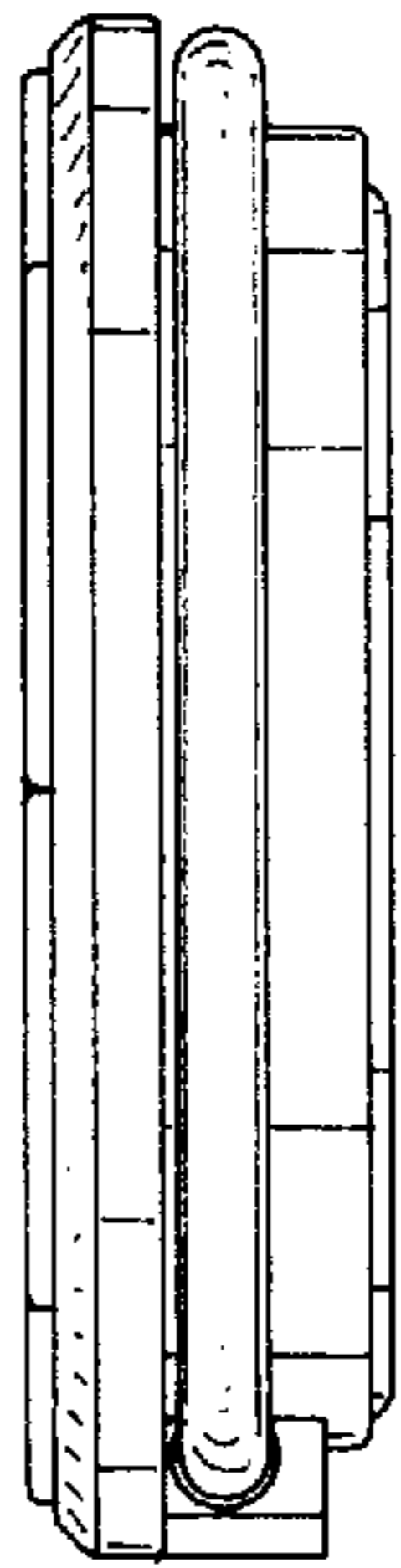


FIG. 3



FIG. 4

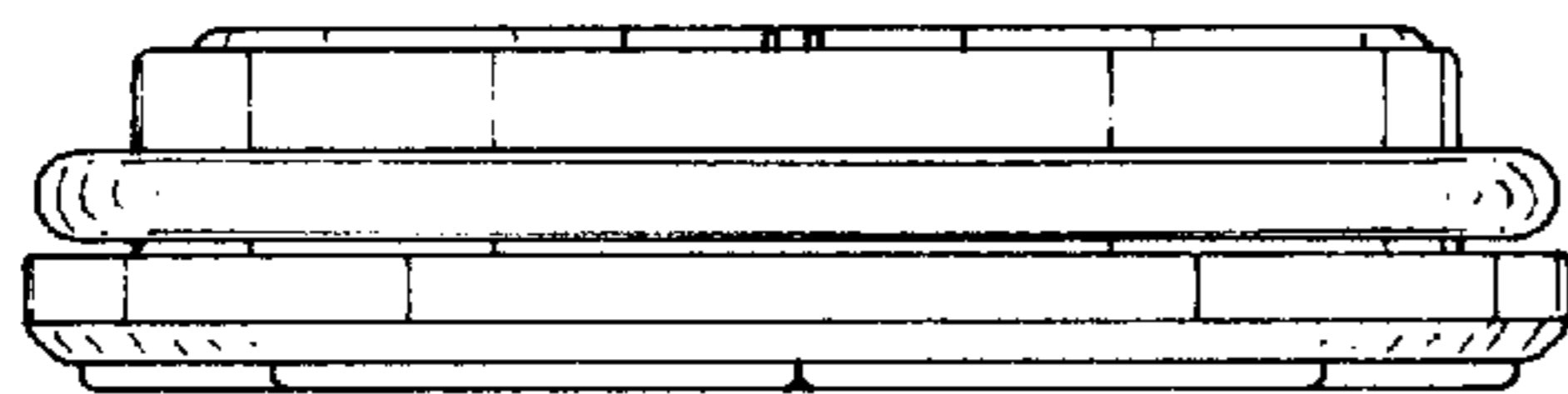


FIG. 5

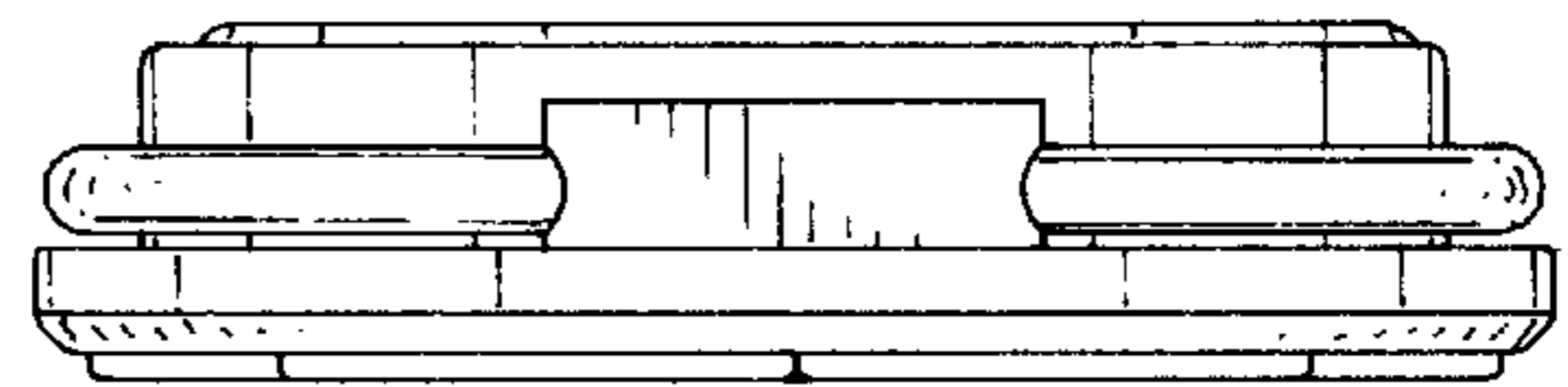


FIG. 6

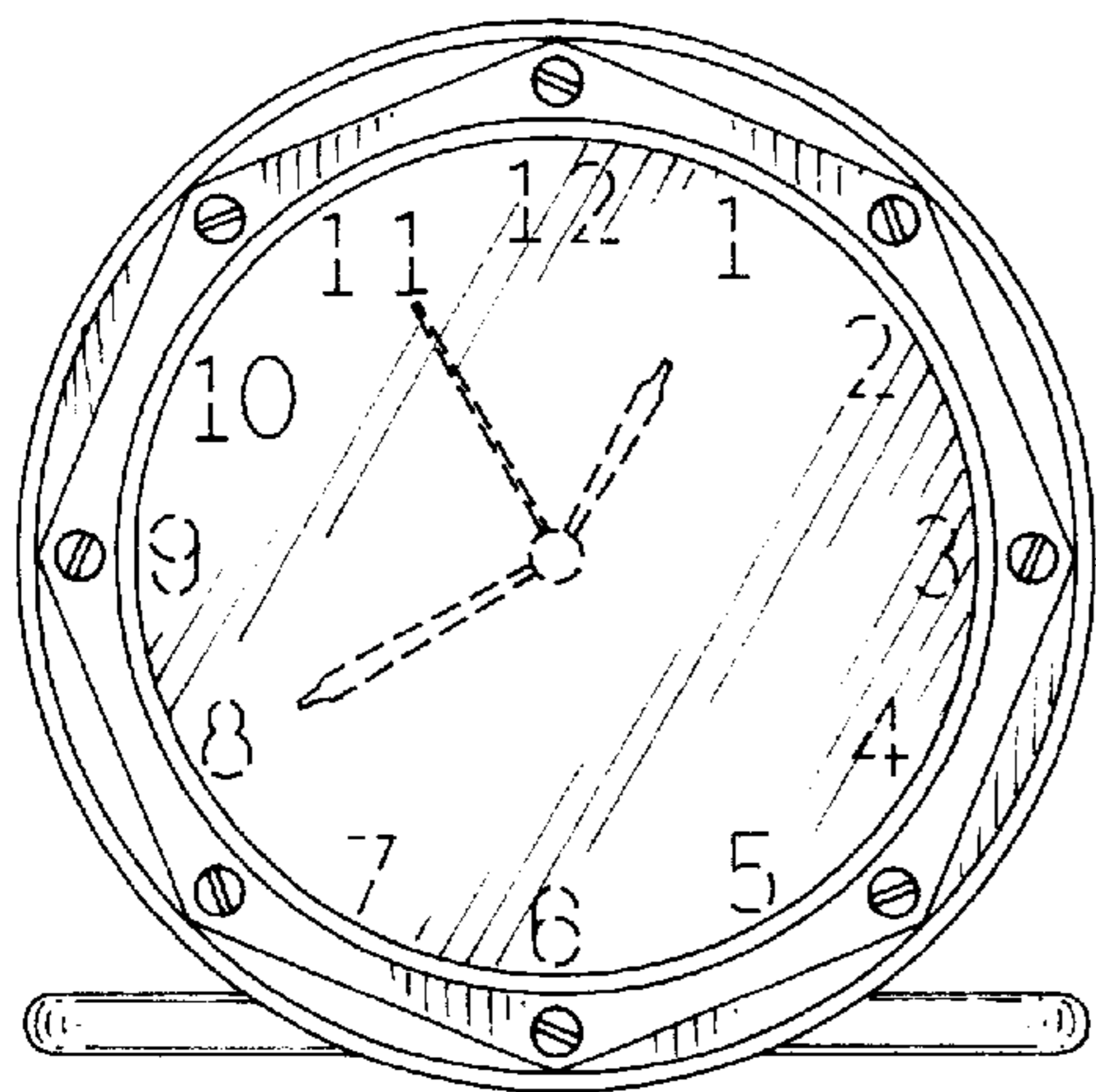


FIG. 7

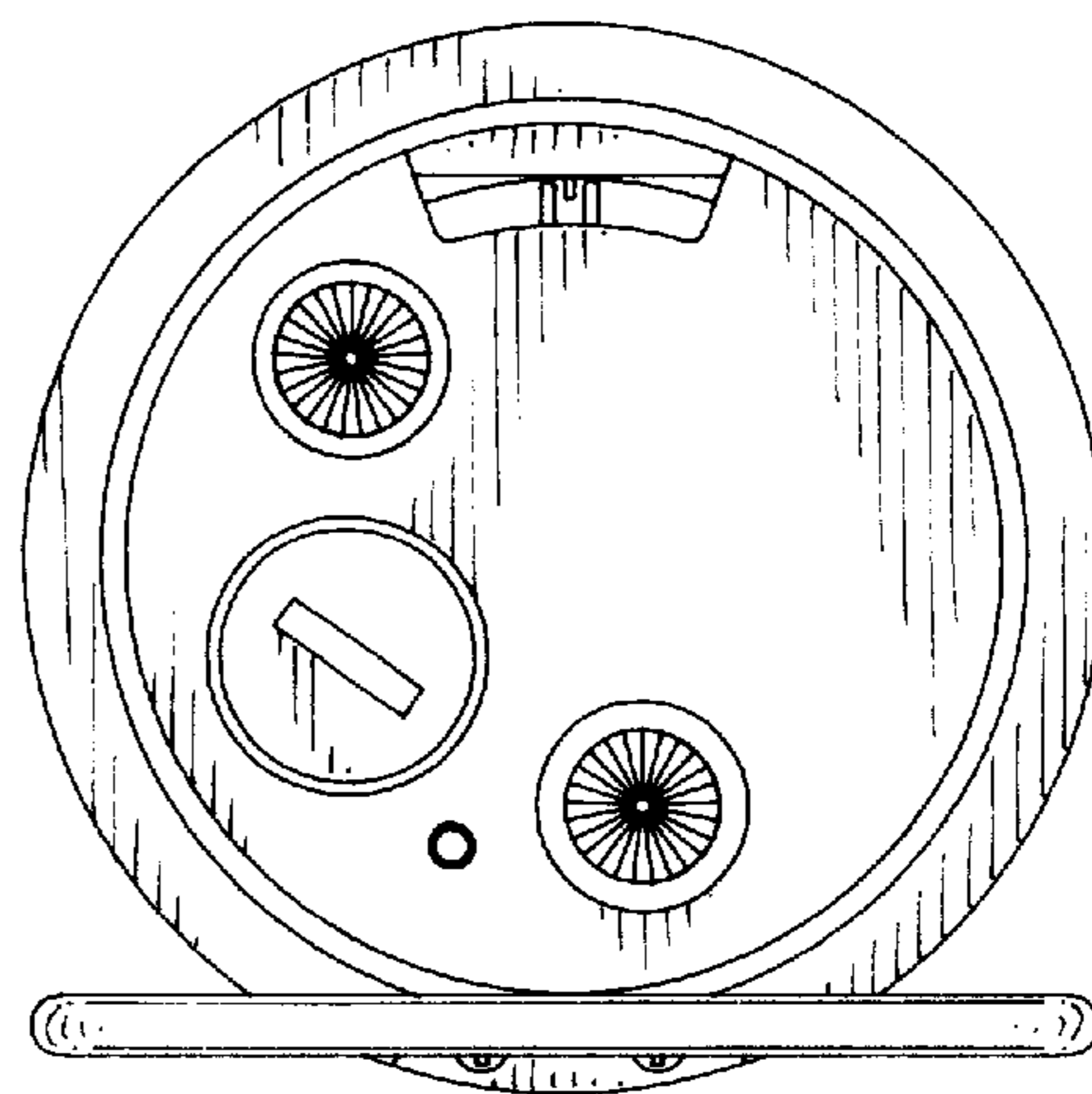


FIG. 8

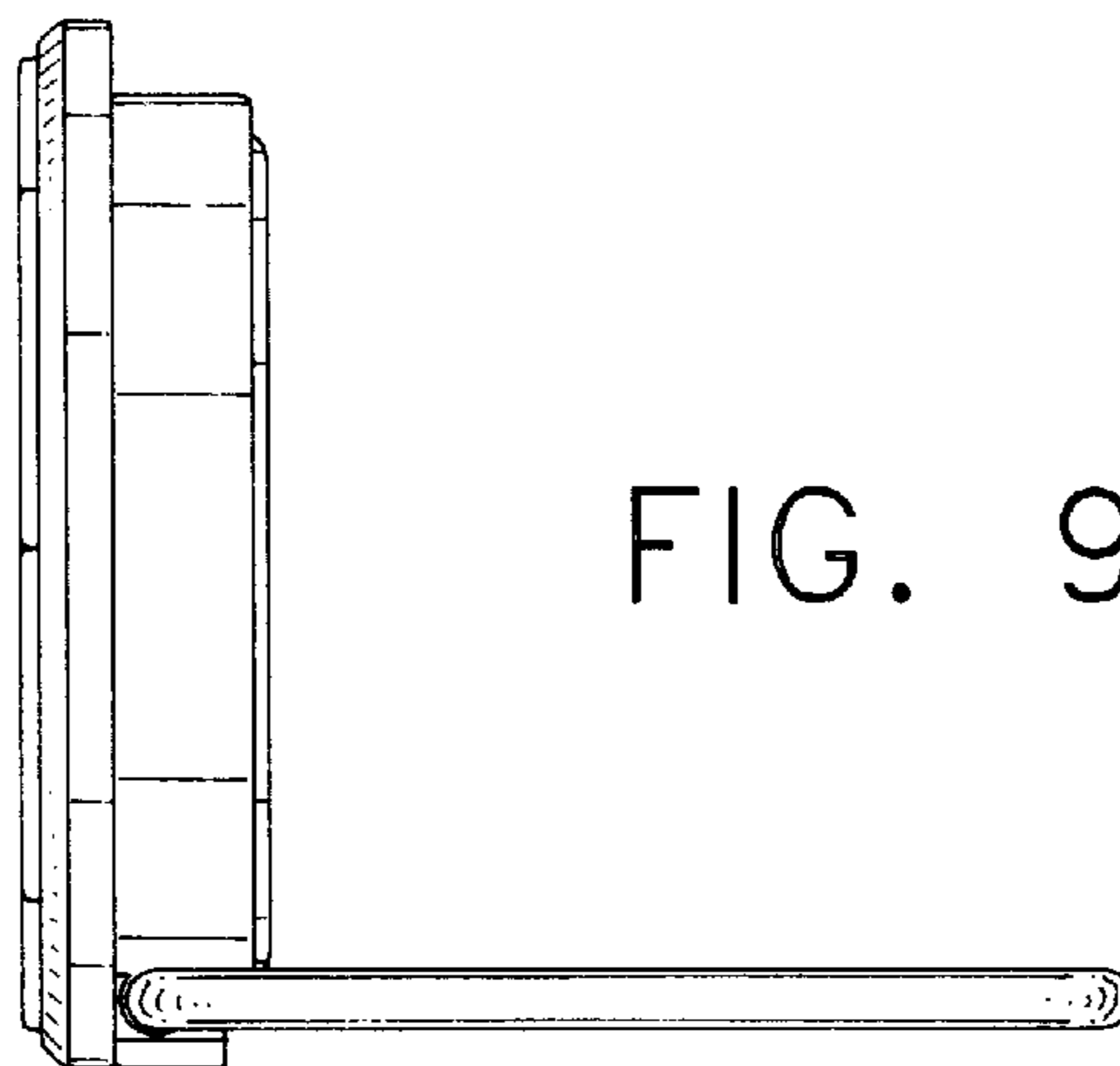


FIG. 9

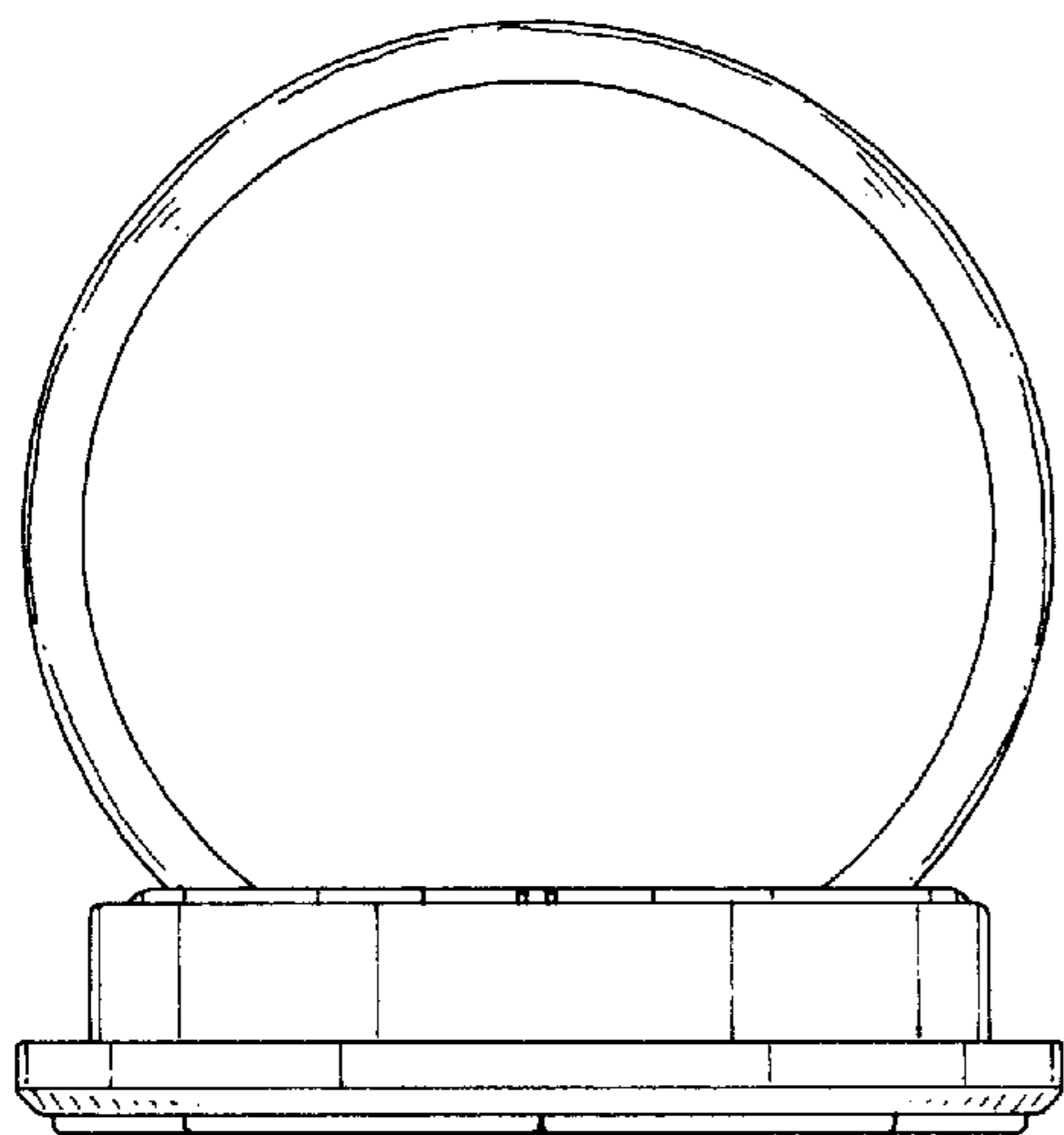


FIG. 10

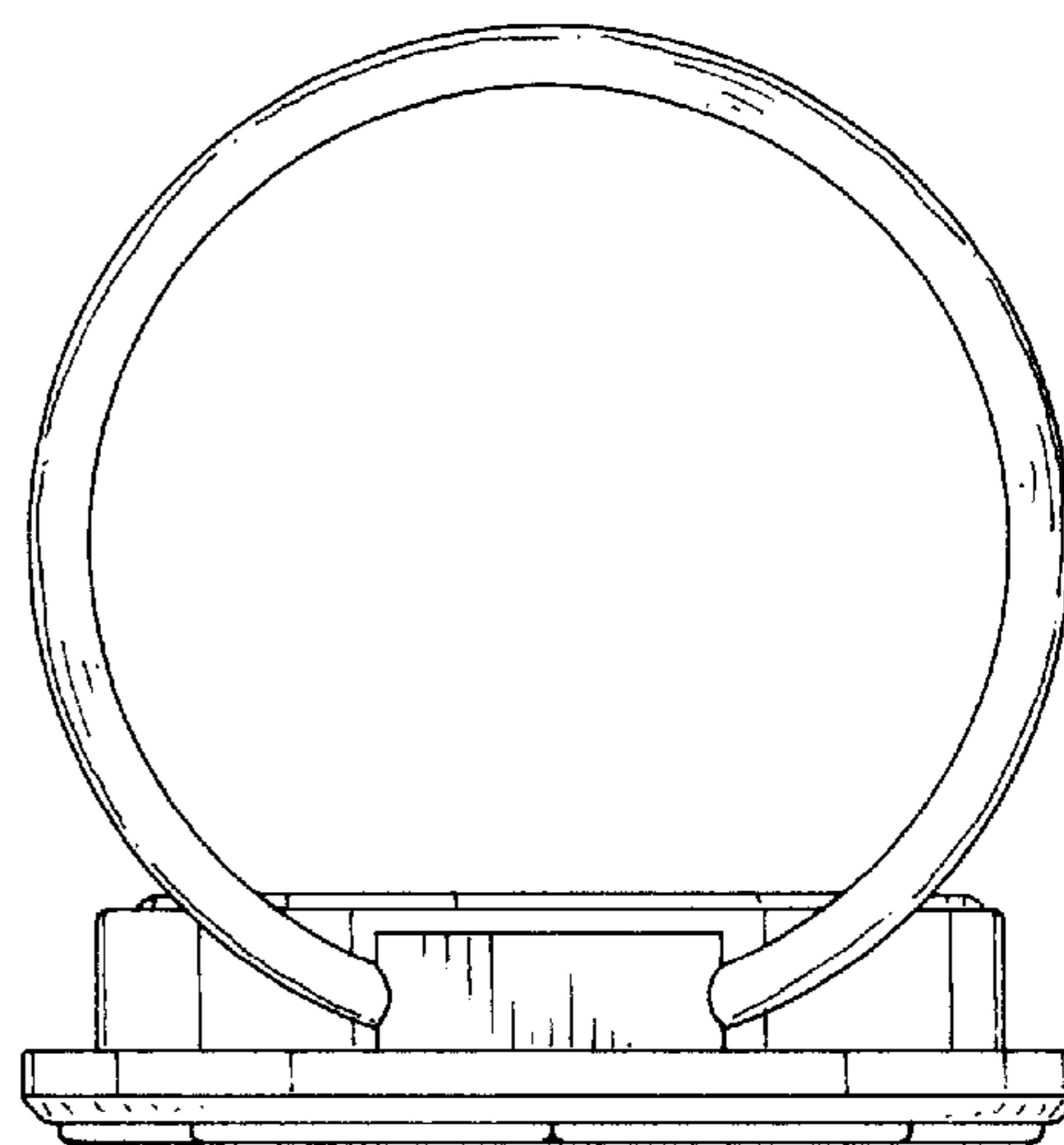


FIG. 11