



US00D397942S

**United States Patent** [19]  
**Lewis**

[11] **Patent Number: Des. 397,942**  
[45] **Date of Patent: \*\*Sep. 8, 1998**

[54] **WATER CONTAINER**

[75] Inventor: **Richard W. Lewis**, McKeesville, Pa.

[73] Assignee: **Pure-Fill Corporation**, Modesto, Calif.

[\*\*] Term: **14 Years**

[21] Appl. No.: **44,641**

[22] Filed: **Sep. 28, 1995**

[51] **LOC (6) Cl.** ..... **09-01**

[52] **U.S. Cl.** ..... **D9/531**

[58] **Field of Search** ..... D9/522, 531, 557,  
D9/528; 215/385, 398; 220/771

[56] **References Cited**

**U.S. PATENT DOCUMENTS**

D. 268,480	4/1983	Cox	.....	D9/531
D. 280,801	10/1985	Yoshimura	.....	D9/522
D. 303,496	9/1989	Larson	.....	D9/531 X
D. 303,497	9/1989	Larson	.....	D9/531 X
D. 324,650	3/1992	Larson	.....	D9/531 X
D. 337,234	7/1993	McGinnis	.....	D7/306
D. 339,022	9/1993	McGinnis et al.	.....	D7/306
D. 339,067	9/1993	Rokus	.....	D9/531
D. 341,514	11/1993	McGinnis	.....	D7/313
D. 355,367	2/1995	Rokus	.....	D9/531

D. 361,039 8/1995 Rokus ..... D9/531

*Primary Examiner*—Lucy Lieberman  
*Attorney, Agent, or Firm*—Michael D. Rechtin; Foley & Lardner

[57] **CLAIM**

I claim the ornamental design for a water container, as shown and described.

**DESCRIPTION**

FIG. 1 is a perspective view showing the top, right side, and front;

FIG. 2 is a rear elevation view;

FIG. 3 is a top plan view;

FIG. 4 is a front elevation view;

FIG. 5 is a bottom plan view;

FIG. 6 is a left side elevation, and the right side elevation is a mirror image thereto except for the conventional screw threading on the neck; and,

FIG. 7 is a perspective view showing an alternative embodiment.

The other views of the second embodiment are the same as the first embodiment except for the neck finish. The rear and left side of the neck of the second embodiment are the same in appearance as the front and right sides shown in FIG. 7.

**1 Claim, 5 Drawing Sheets**

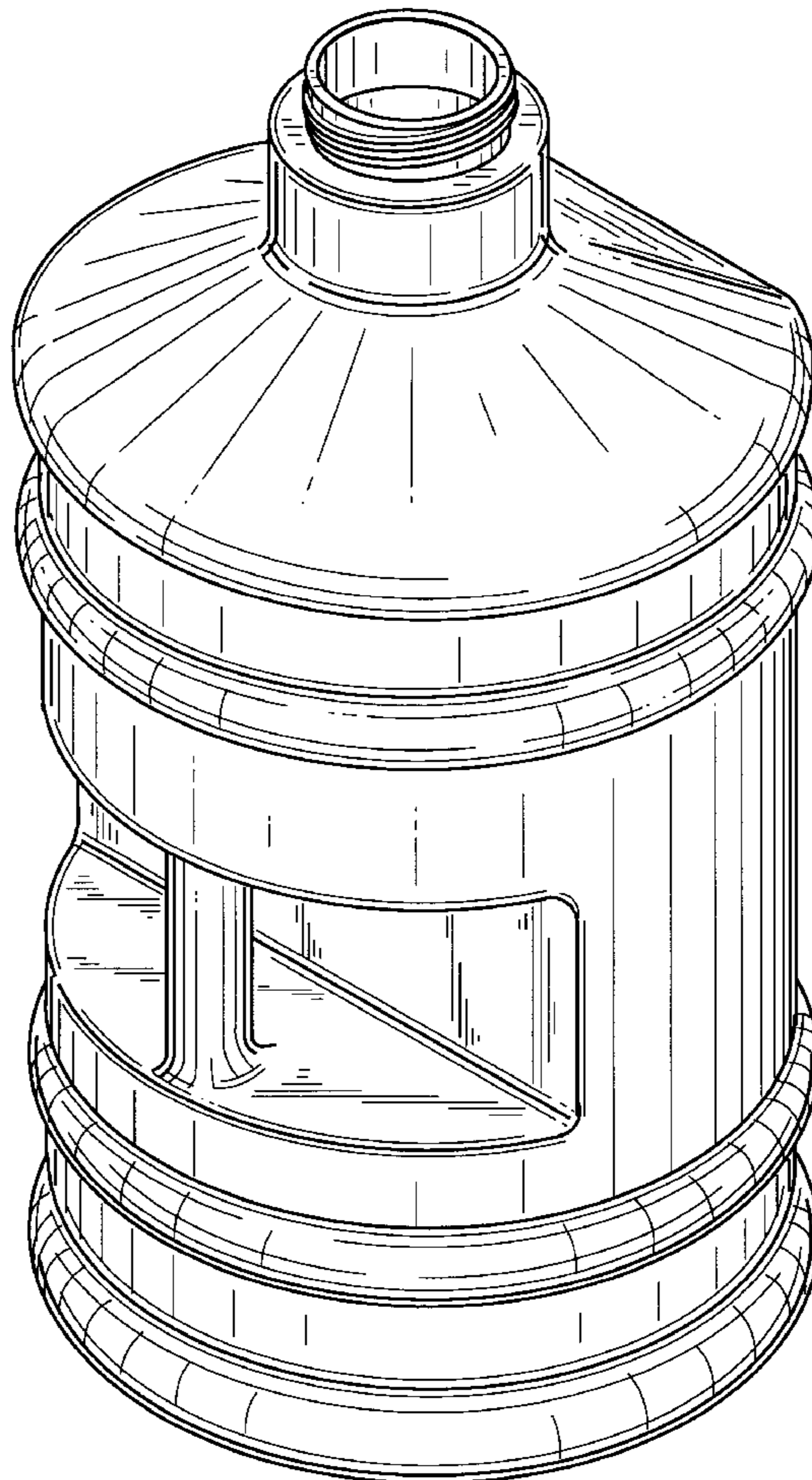


FIG. 1

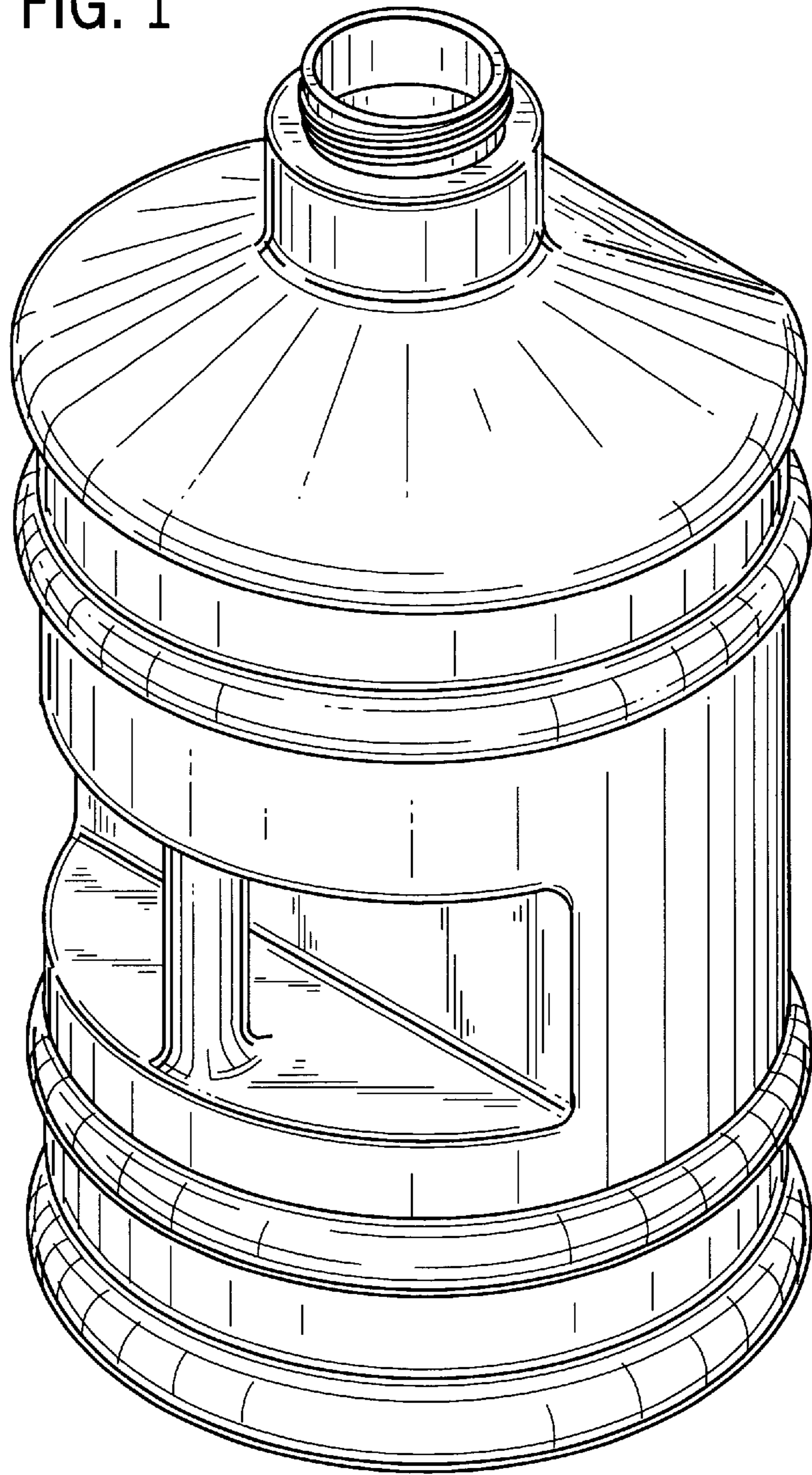


FIG. 2

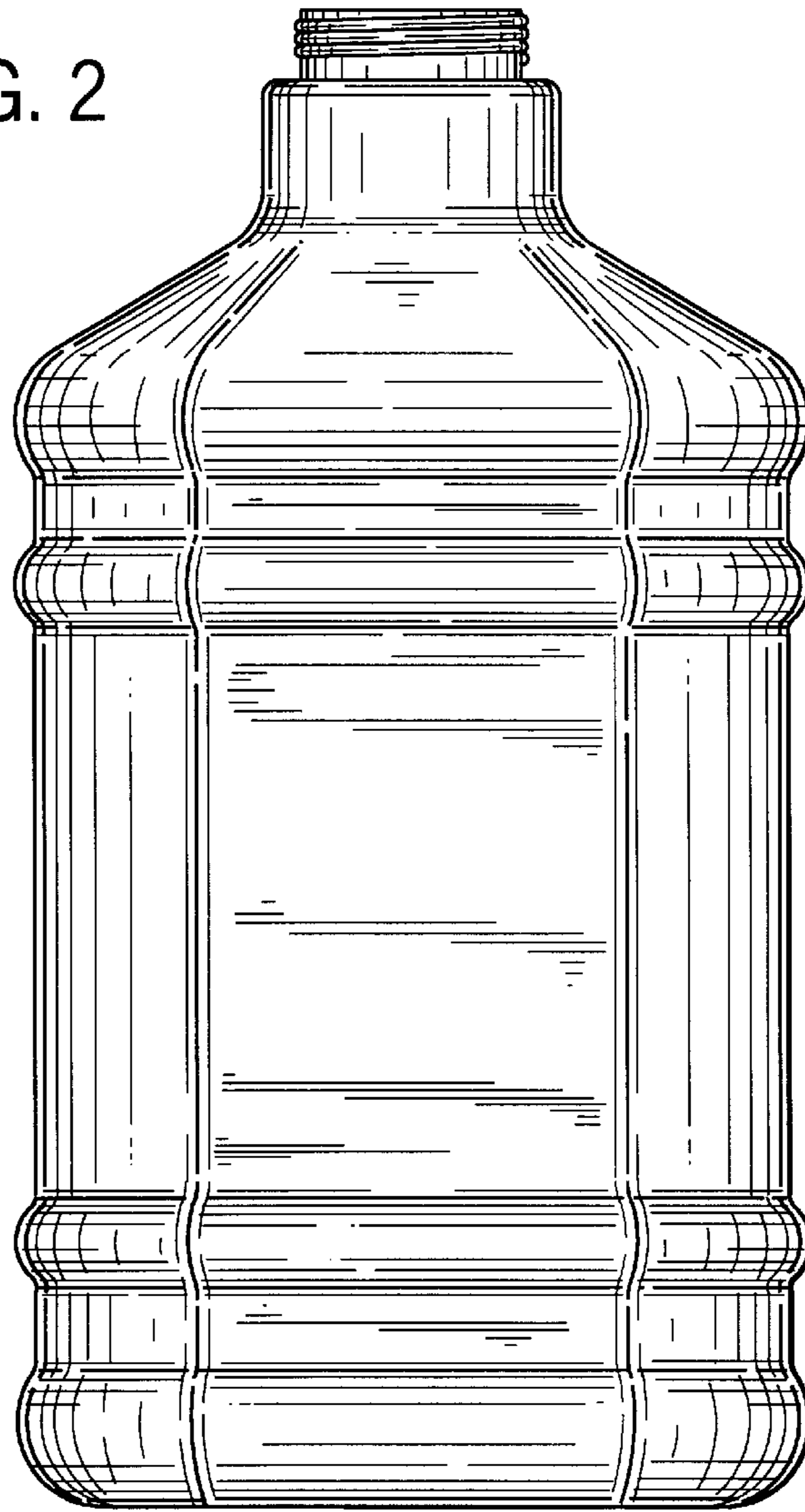


FIG. 3

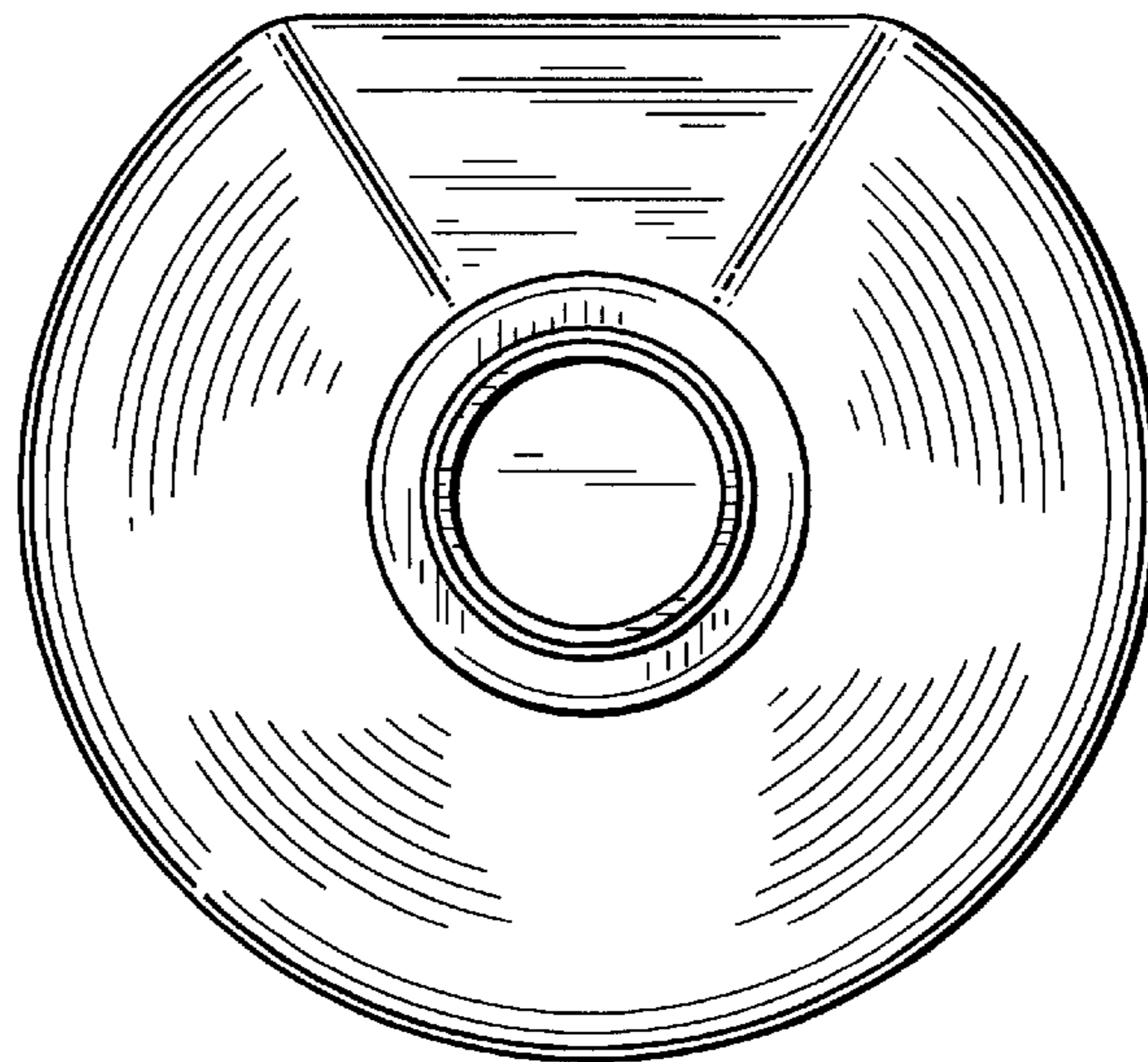




FIG. 4

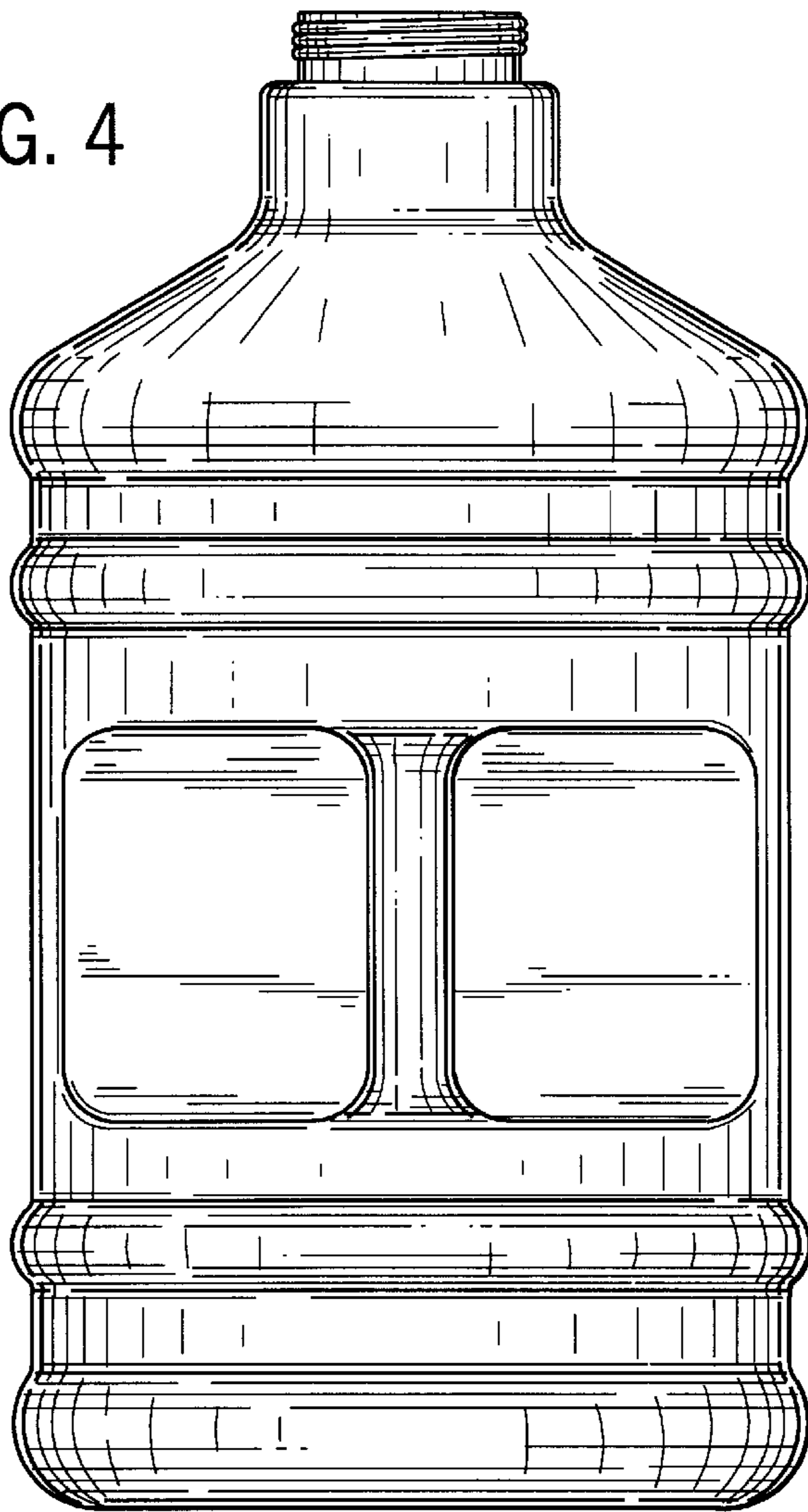


FIG. 5

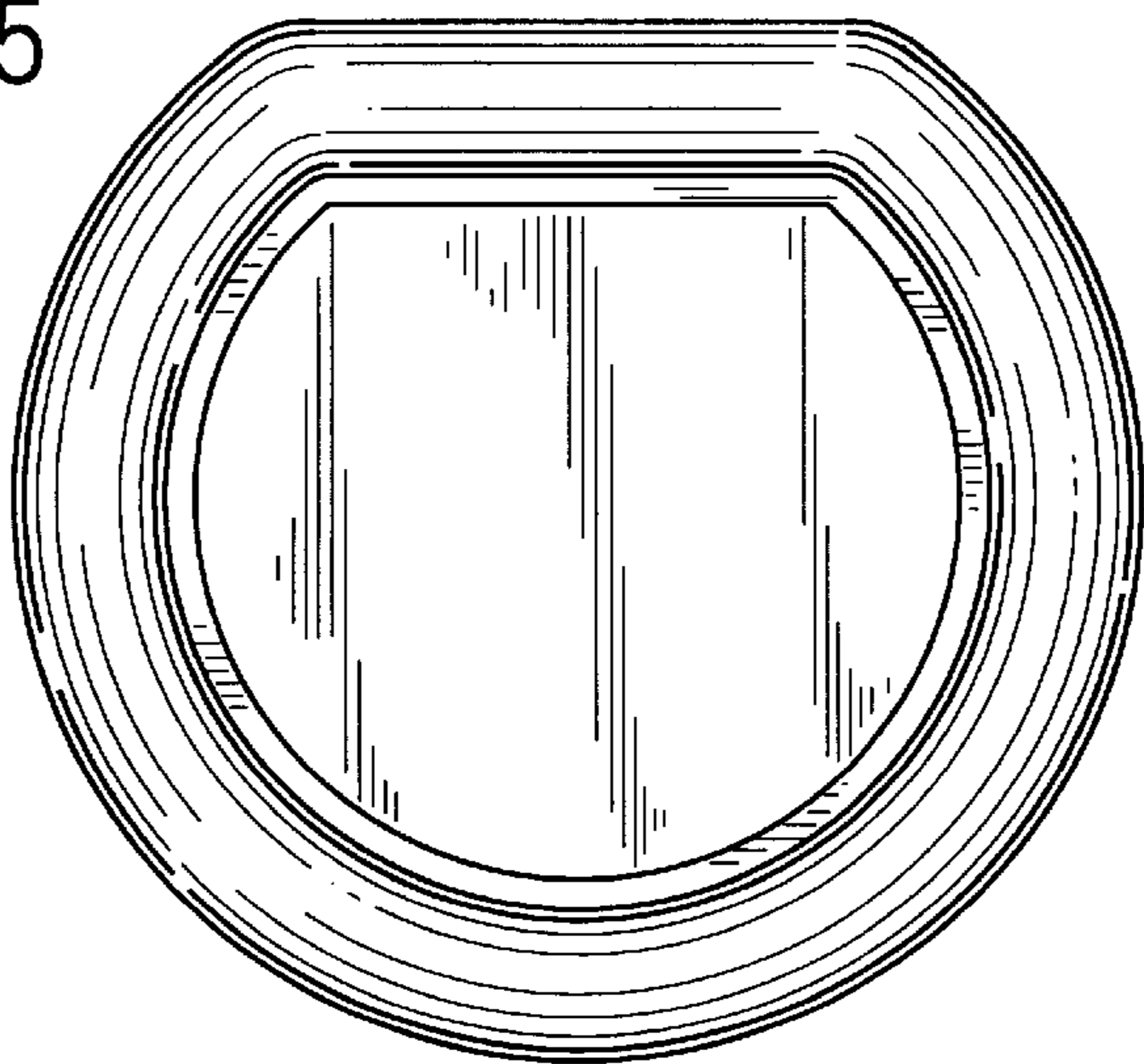


FIG. 6

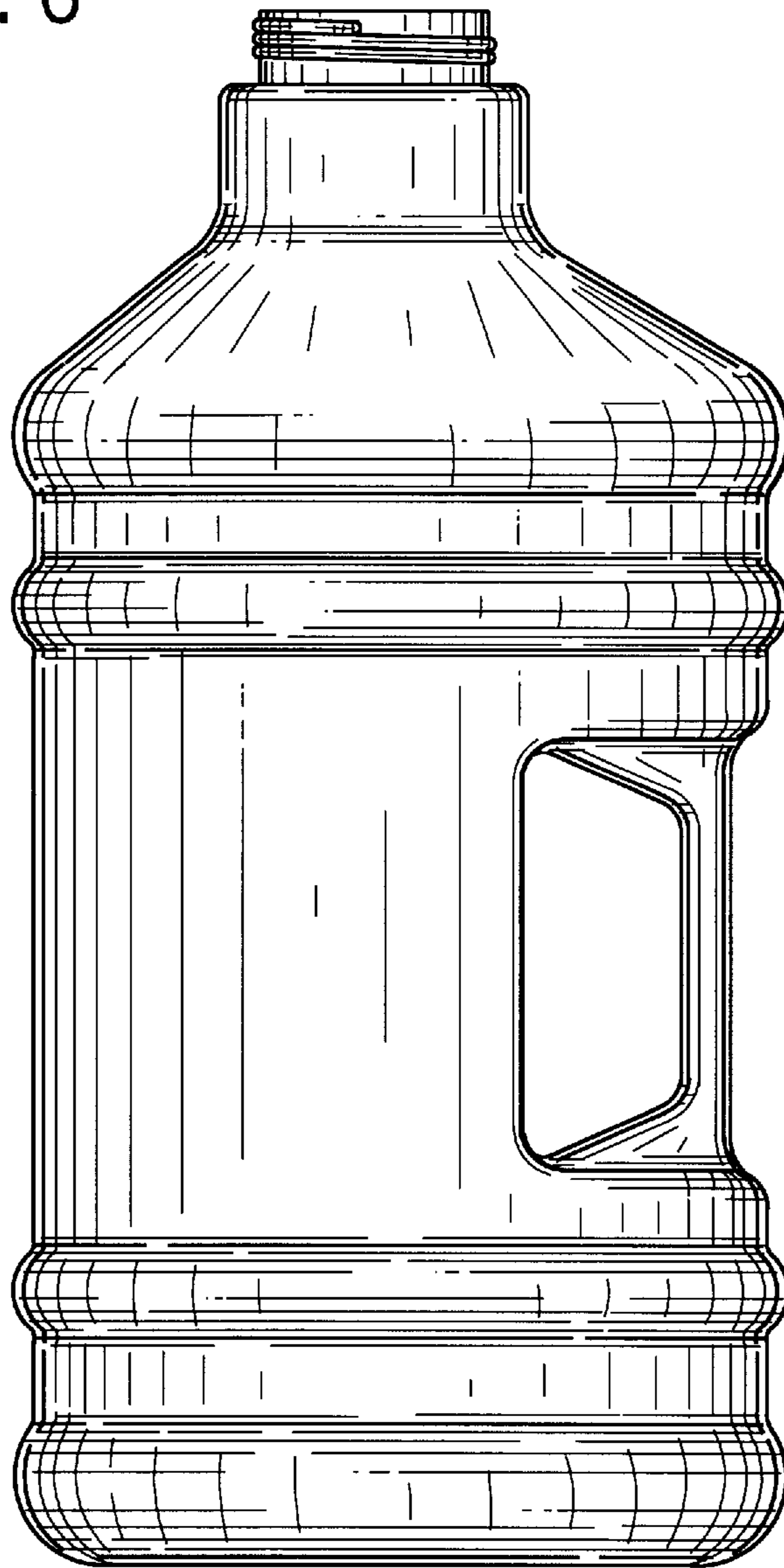


FIG. 7

