



US00D397940S

**United States Patent** [19]  
**Safarian**

[11] **Patent Number: Des. 397,940**  
[45] **Date of Patent: \*\*Sep. 8, 1998**

[54] **BOTTLE HOLDER**  
[75] Inventor: **Gordgi Safarian**, Phoenix, Ariz.  
[73] Assignee: **Bendal Enterprises Inc.**, Glendale, Ariz.  
[\*\*] Term: **14 Years**  
[21] Appl. No.: **68,036**  
[22] Filed: **Mar. 19, 1997**  
[51] **LOC (6) Cl.** ..... **09-07**  
[52] **U.S. Cl.** ..... **D9/455; D7/622**  
[58] **Field of Search** ..... D9/455, 501; D7/619, D7/622; 215/396; 220/710.5, 737, 741, 742, 752, 755, 758, 759; 294/27.1, 31.2

4,666,197 5/1987 Watson et al. .... 294/31.2  
4,667,359 5/1987 Polotti ..... 294/31.2 X  
4,842,158 6/1989 Reyes, Jr. .... 220/742 X  
4,896,913 1/1990 Kennedy ..... 294/31.2  
5,183,169 2/1993 Grzych ..... 220/741 X

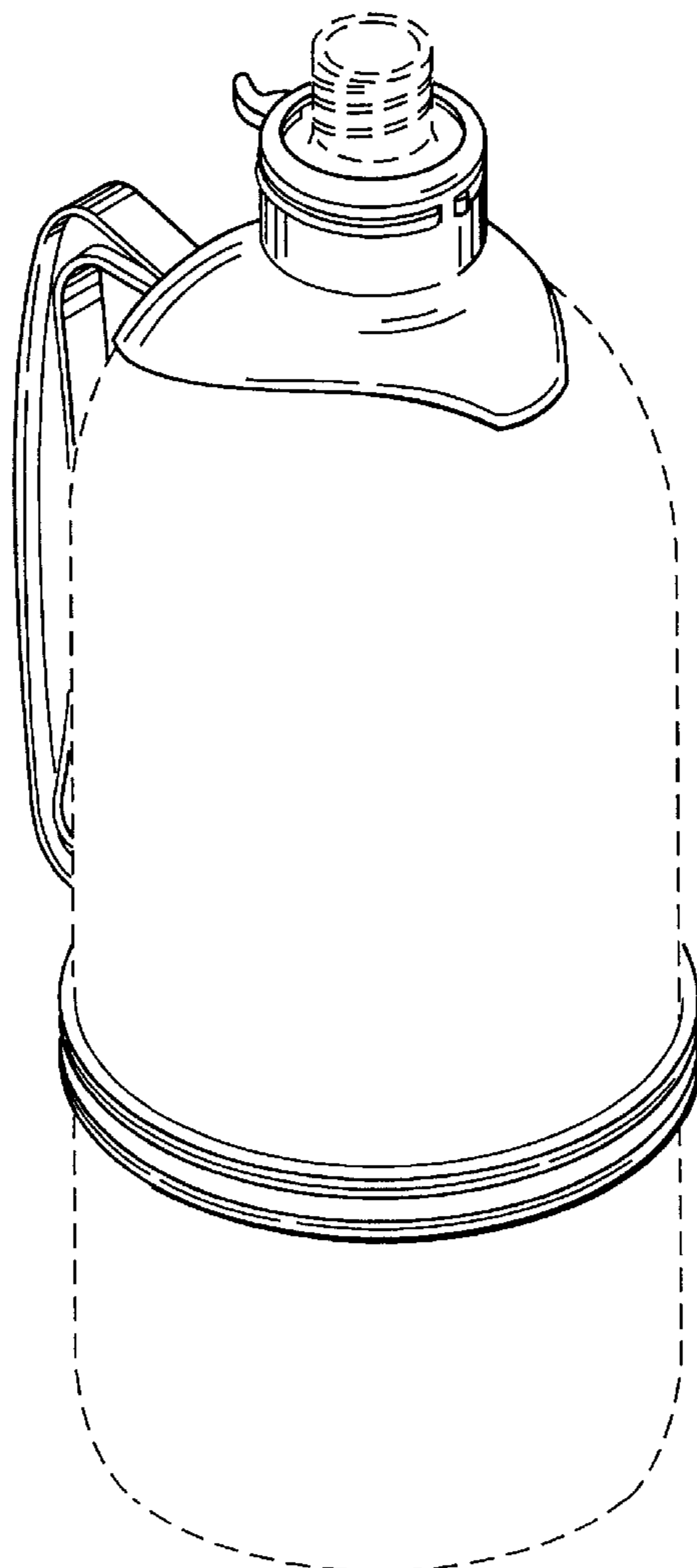
*Primary Examiner*—James Gandy  
*Assistant Examiner*—Cathron B. Matta  
*Attorney, Agent, or Firm*—Meschkow & Gresham, P.L.C.; Jordan M. Meschkow; Lowell W. Gresham

[56] **References Cited**  
**U.S. PATENT DOCUMENTS**  
D. 329,517 9/1992 Vavla ..... D9/455 X  
D. 343,094 1/1994 Varney ..... D7/622  
D. 350,879 9/1994 Gelston ..... D7/622  
4,379,578 4/1983 Schuler ..... 294/31.2  
4,552,396 11/1985 Rais ..... 294/31.2

[57] **CLAIM**  
The ornamental design for a bottle holder, as shown and described.

**DESCRIPTION**  
FIG. 1 is a front perspective view of a bottle holder, showing my new design therefor;  
FIG. 2 is a frontal view therefor;  
FIG. 3 is a rear view therefor;  
FIG. 4 is a side view therefor, showing the left side;  
FIG. 5 is a side view therefor, showing the right side;  
FIG. 6 is a top plan view therefor; and,  
FIG. 7 is a bottom plan view therefor.

**1 Claim, 3 Drawing Sheets**



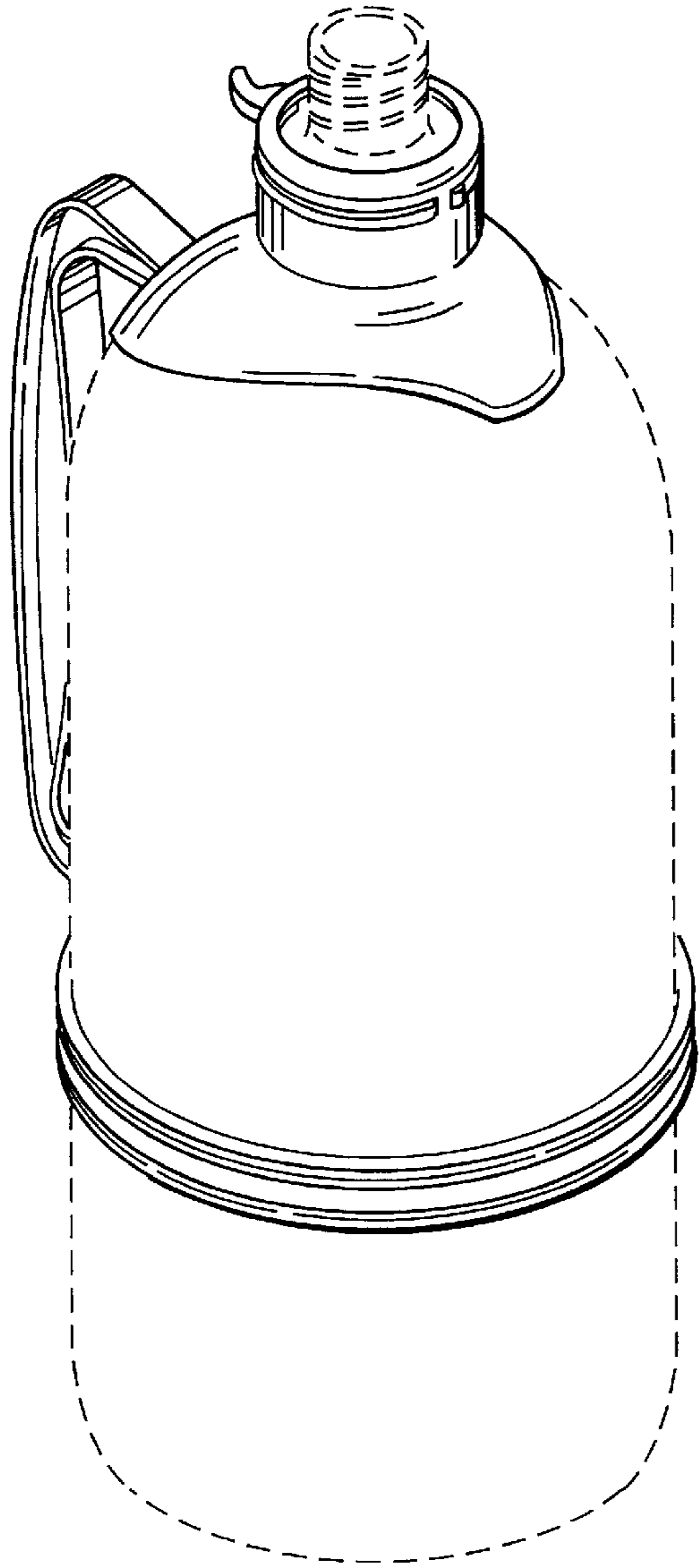


Fig. 1

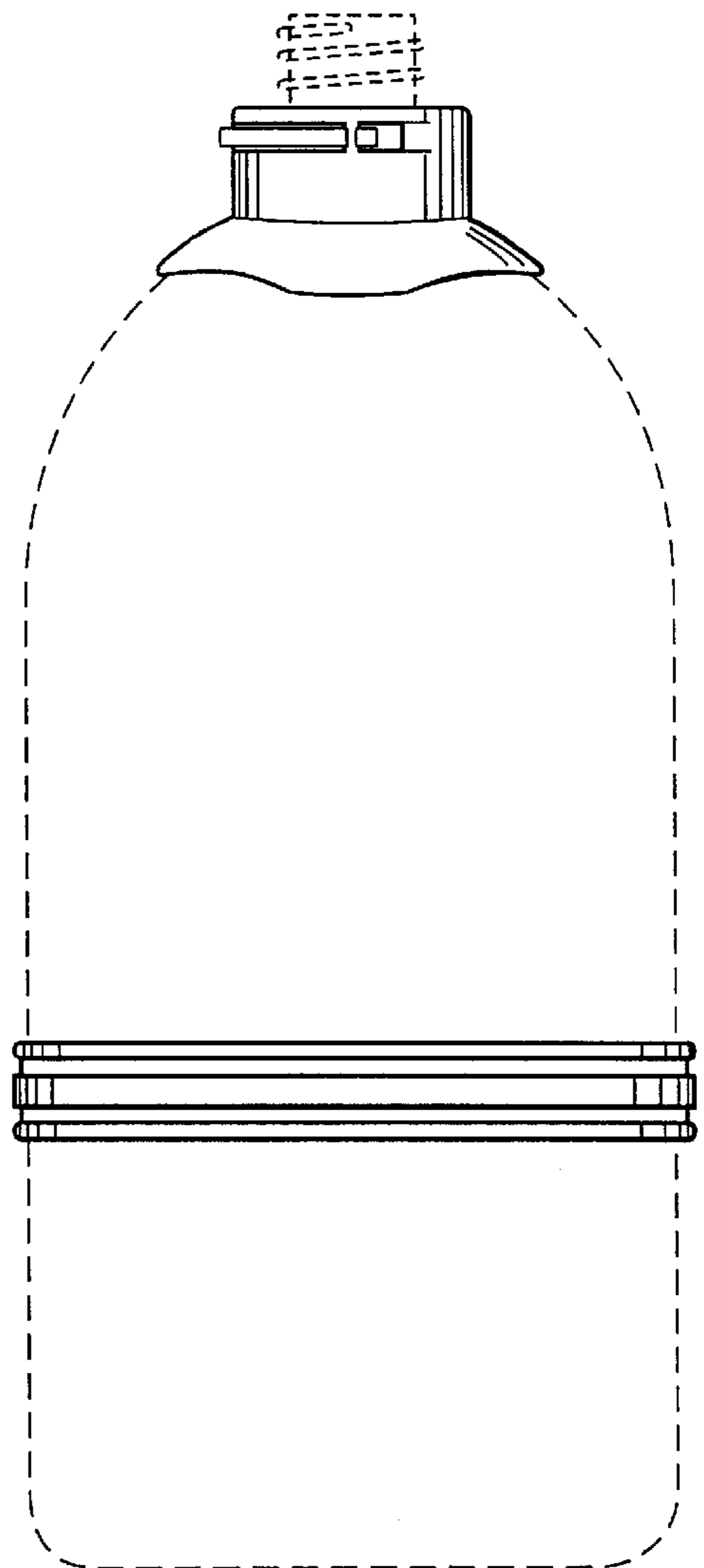


Fig. 2

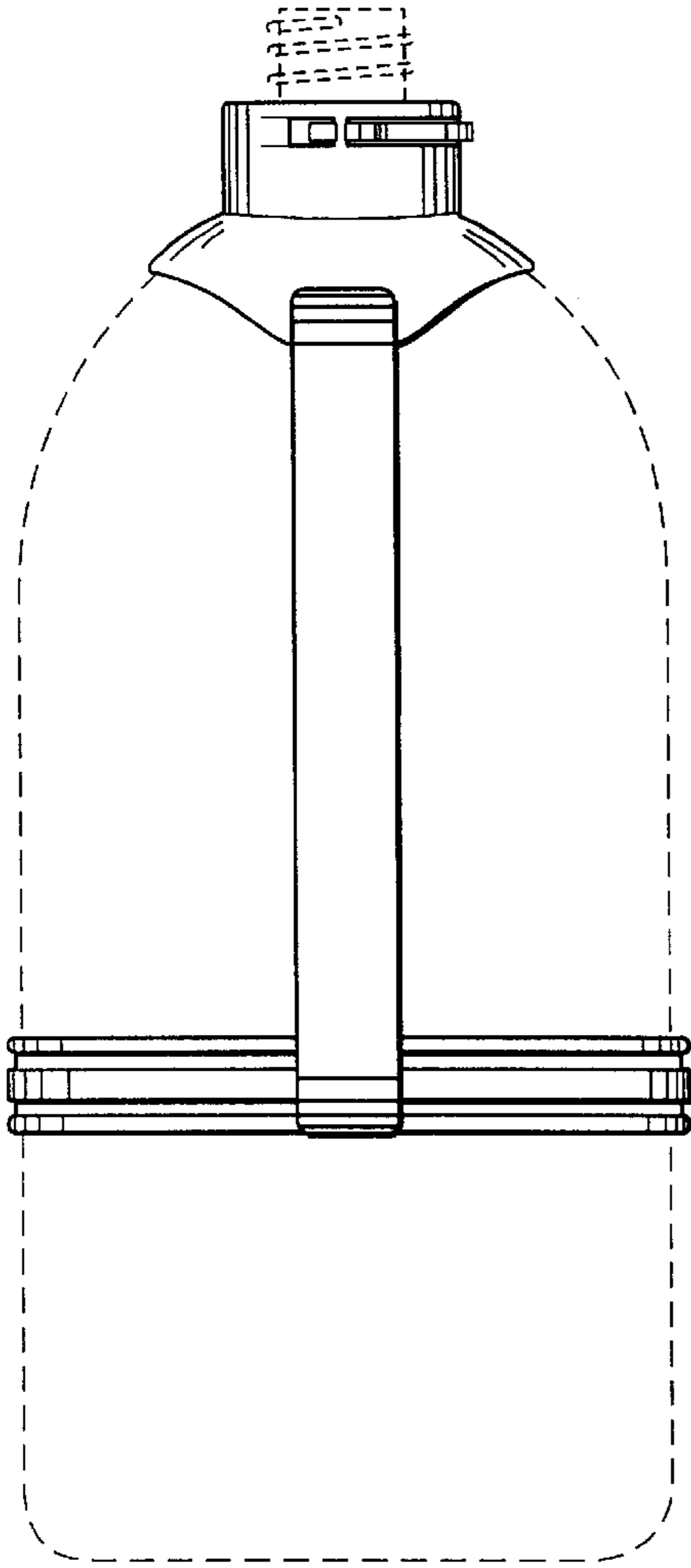


Fig. 3

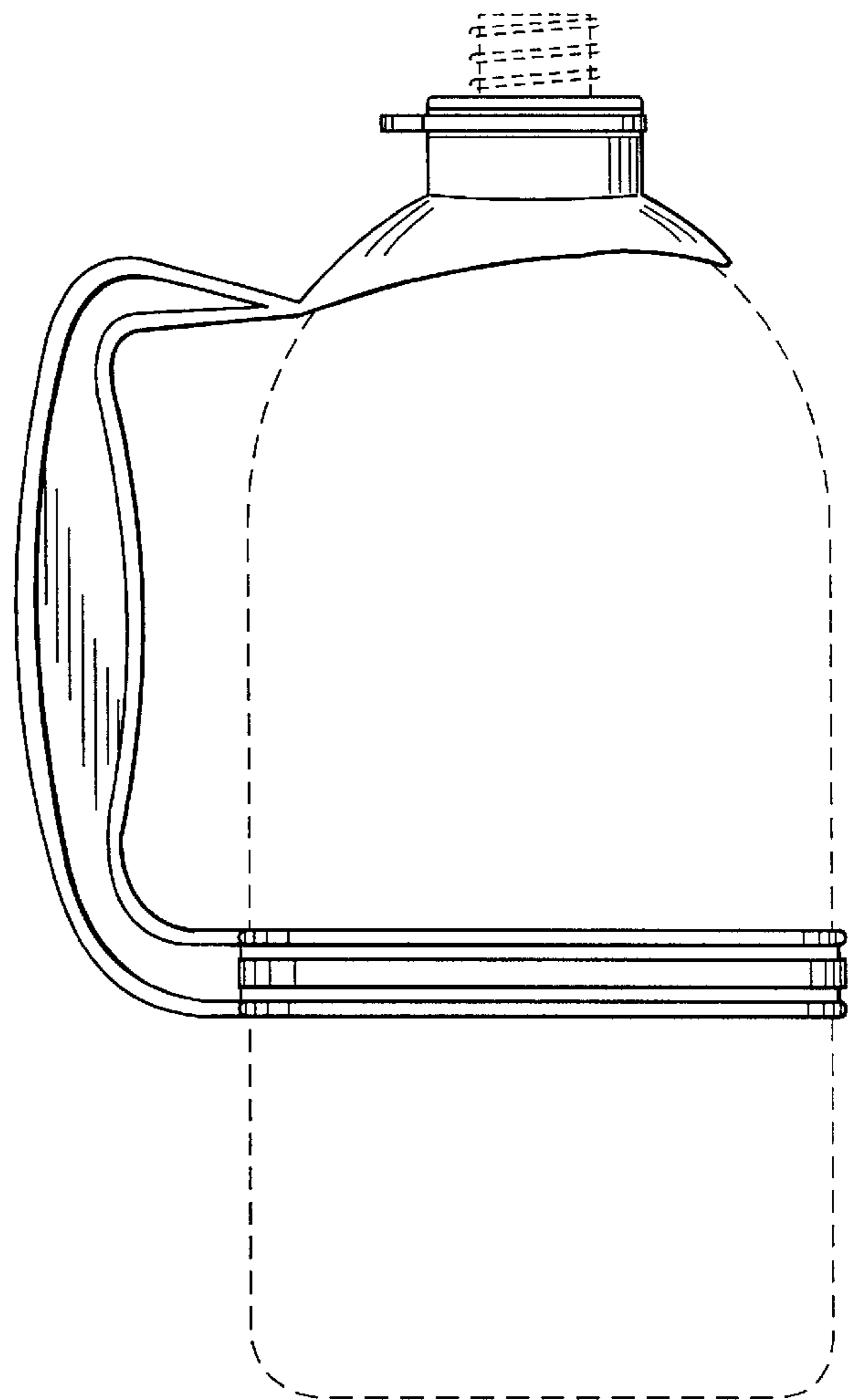


Fig. 4

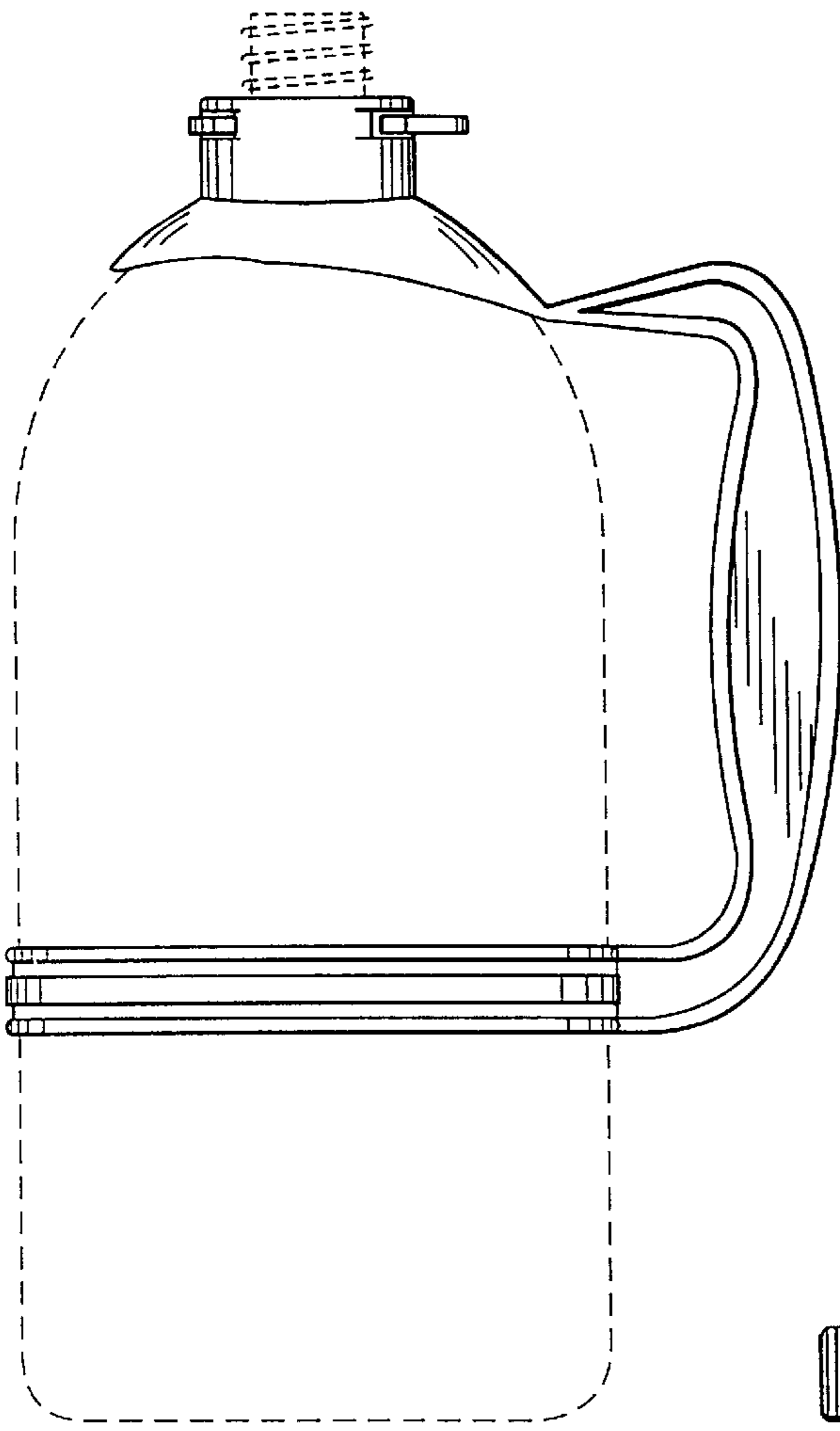


Fig. 5

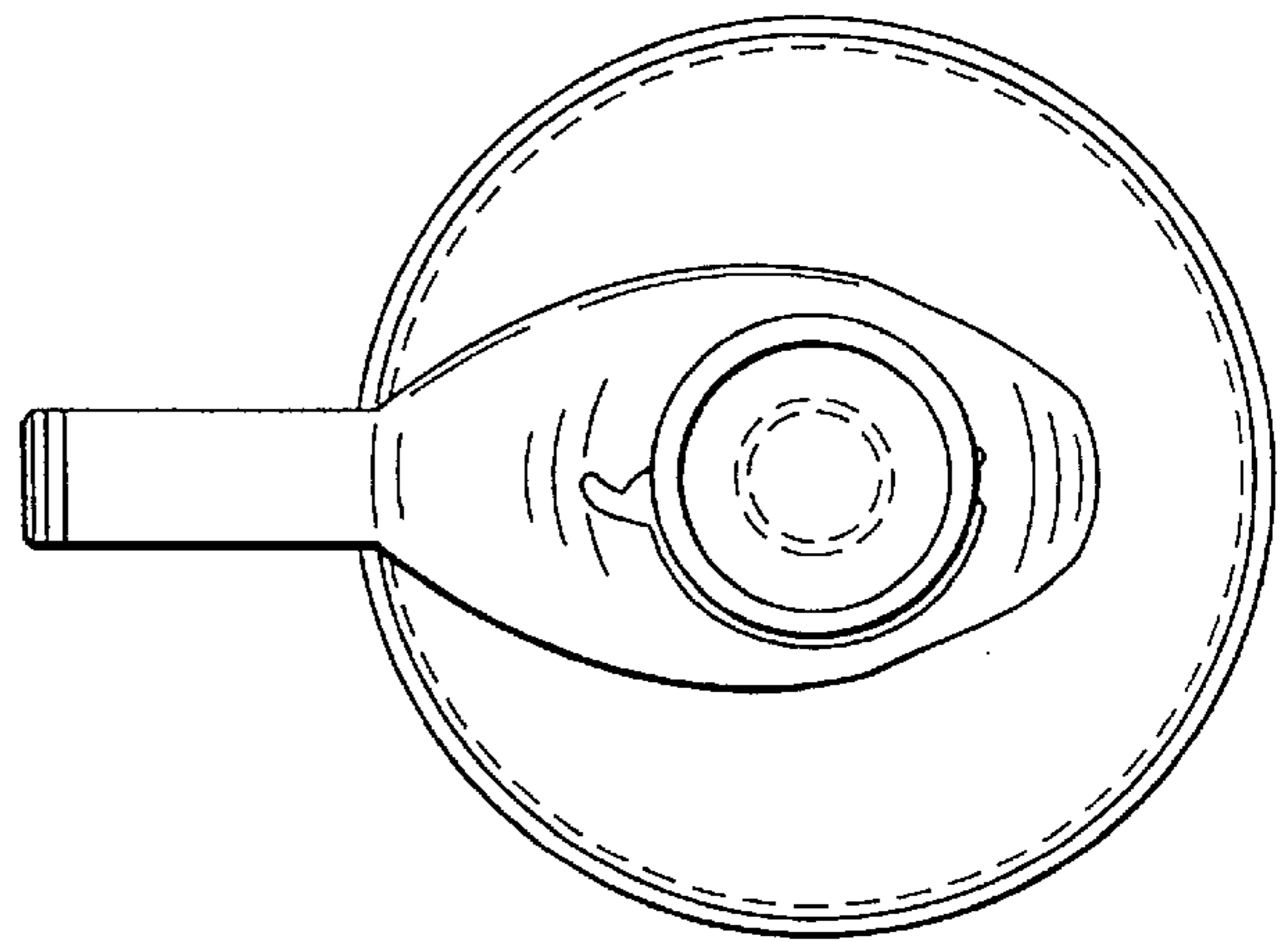


Fig. 6

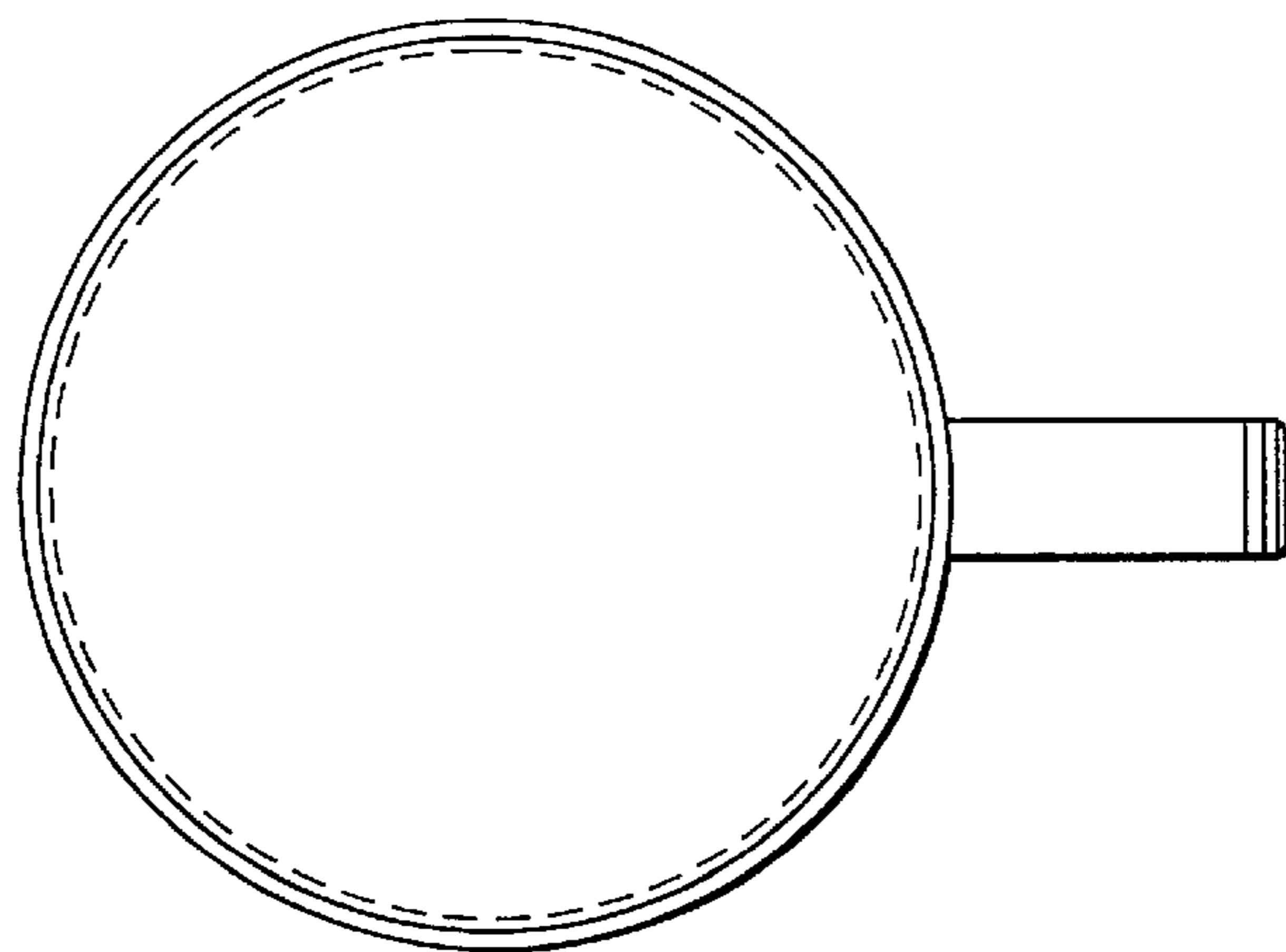


Fig. 7