



US00D397938S

United States Patent [19]

[11] Patent Number: Des. 397,938

Graham et al.

[45] Date of Patent: **Sep. 8, 1998

[54] COVER

[75] Inventors: **Hugh William Graham**, Gurnee; **Steve Herchenbach**, Grayslake; **Linas P. Laurusonis**, Gurnee, all of Ill.; **Scott G. Safar**, Pleasant Prairie, Wis.; **David H. Satchell**, Libertyville, Ill.

[73] Assignee: **Abbott Laboratories**, Abbott Park, Ill.

[**] Term: **14 Years**

[21] Appl. No.: **71,163**

[22] Filed: **May 22, 1997**

[51] LOC (6) Cl. **09-07**

[52] U.S. Cl. **D9/454**

[58] Field of Search D9/435, 436, 439, D9/440, 454, 503, 504, 529, 545; 215/200, 247, 307, 310; 220/229

[56] References Cited

U.S. PATENT DOCUMENTS

D. 193,363	8/1962	Foss et al.	D9/454
D. 341,779	11/1993	Lewis	D9/435
1,180,665	4/1916	McElroy .	
2,906,423	9/1959	Sandhage .	
3,653,528	4/1972	Wimmer	215/38
3,676,679	7/1972	Waters	250/83
3,823,840	7/1974	Zackheim	215/37
3,850,174	11/1974	Ayres	128/272
3,977,551	8/1976	Ciarico	215/1
4,000,739	1/1977	Stevens	128/214
4,134,512	1/1979	Nugent	215/247
4,152,269	5/1979	Babson	210/516
4,256,106	3/1981	Shoor	128/247
4,293,078	10/1981	Percarpio et al.	215/247
4,295,572	10/1981	Percarpio	215/247
4,307,766	12/1981	Tanokura	150/8
4,357,301	11/1982	Cassaday et al.	422/64
4,402,909	9/1983	Solazzi	422/50
4,515,752	5/1985	Miramanda	422/99

4,517,851	5/1985	Tice	73/864
4,545,497	10/1985	Martha, Jr.	215/253
4,615,360	10/1986	Jacobs	141/18
4,763,803	8/1988	Schneider	215/260
4,871,077	10/1989	Ogden et al.	215/307 X
4,954,149	9/1990	Fullemann	55/386
5,024,256	6/1991	Vadher	141/329
5,025,947	6/1991	Leone	220/229 X
5,130,254	7/1992	Colier et al.	436/54
5,143,236	9/1992	Gueret	215/311
5,147,065	9/1992	Rush et al.	220/229 X
5,202,093	4/1993	Cloyd	422/102
5,297,599	3/1994	Bucheli	141/329
5,370,252	12/1994	Parsons et al.	215/247

FOREIGN PATENT DOCUMENTS

A10097591	8/1986	European Pat. Off. .
B10097591	8/1986	European Pat. Off. .
0523425	1/1993	European Pat. Off. .
2228730	9/1990	United Kingdom .
9006267	6/1990	WIPO .
9009330	8/1990	WIPO .
9116675	10/1991	WIPO .
9220449	11/1992	WIPO .
9316801	9/1993	WIPO .
9404929	3/1994	WIPO .
9419451	9/1994	WIPO .

Primary Examiner—James Gandy
Assistant Examiner—Cathron B. Matta
Attorney, Agent, or Firm—Mark C. Bach

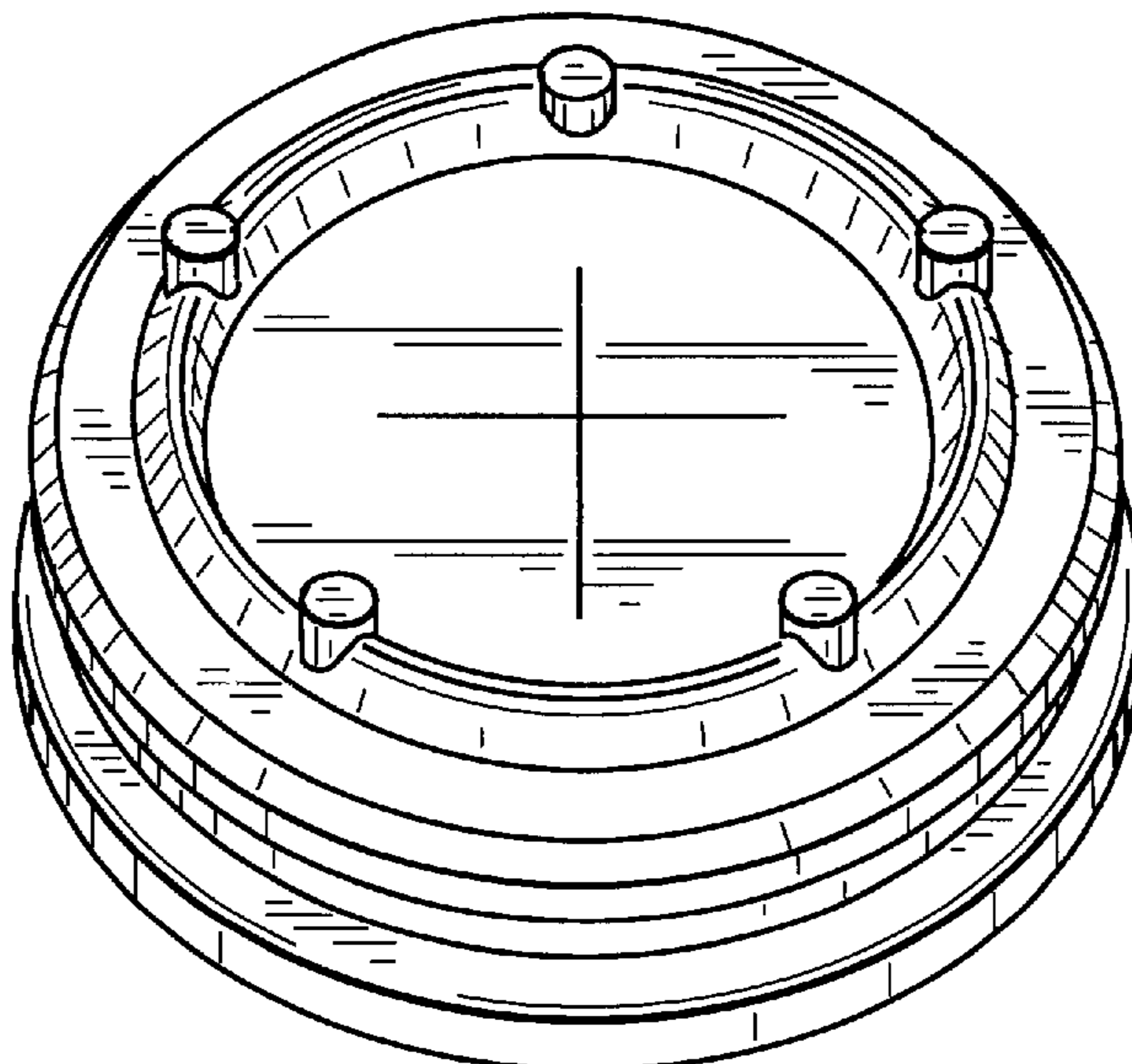
[57] CLAIM

We claim the ornamental design for cover, as shown and descibed.

DESCRIPTION

FIG. 1 is a side view of a cover, all side views being substantially a mirror image thereof;
FIG. 2 is a bottom view thereof;
FIG. 3 is a bottom perspective view thereof; and,
FIG. 4 is a top perspective view thereof.

1 Claim, 1 Drawing Sheet



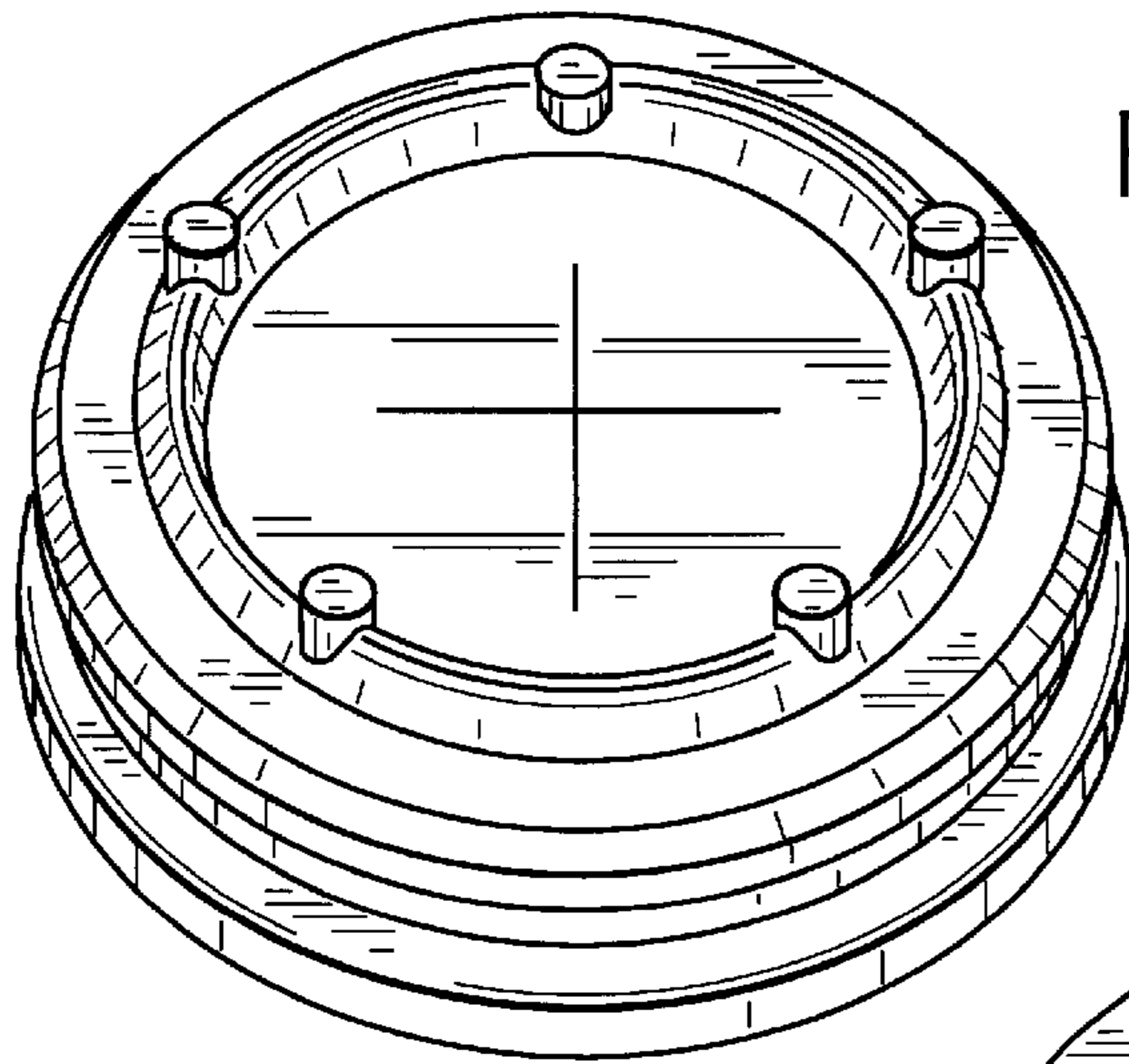


FIG. 3

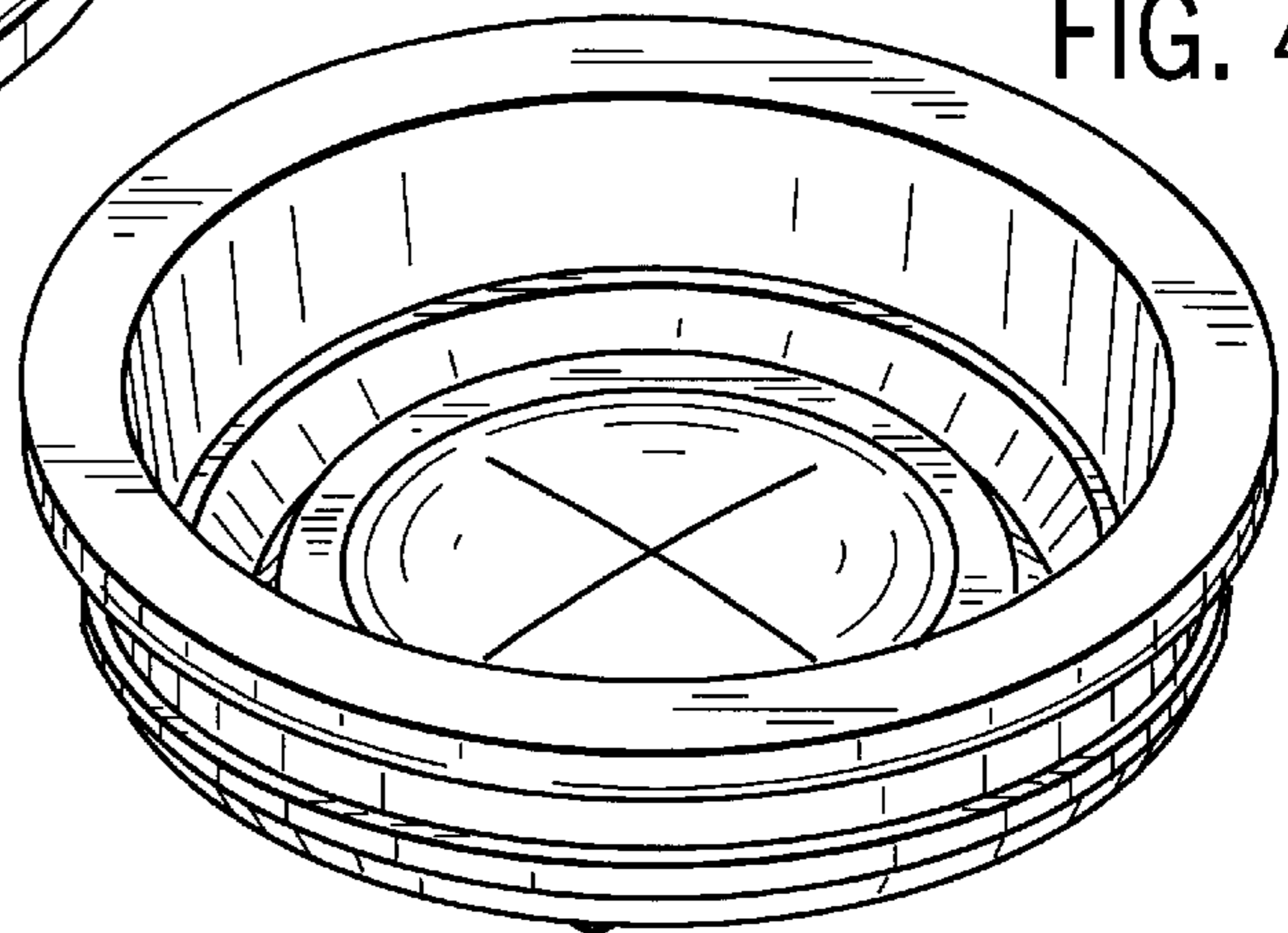


FIG. 4

FIG. 1

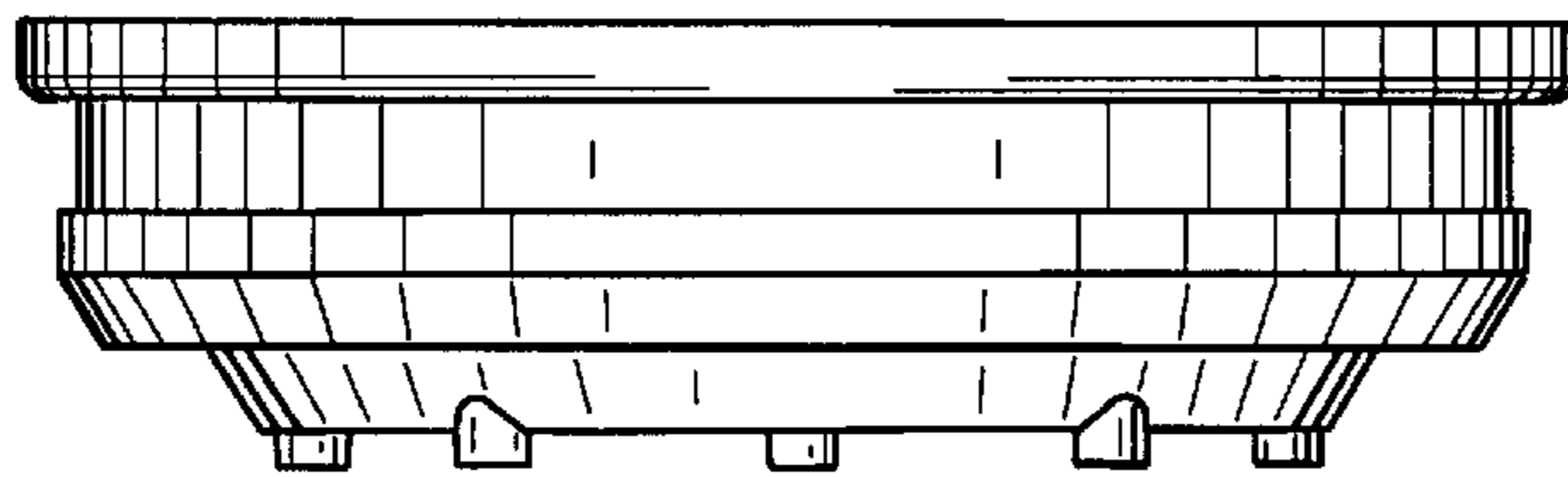


FIG. 2

