



US00D397933S

United States Patent [19] Mazda

[11] Patent Number: Des. 397,933

[45] Date of Patent: ***Sep. 8, 1998

[54] **BELLOWS CONTAINER**

[76] Inventor: **Masayosi Mazda**, No. 70, 3 Chome Ohno-Cho, Kakamihara, Japan

[*] Notice: The portion of the term of this patent subsequent to Aug. 13, 2010, has been disclaimed.

[**] Term: **14 Years**

[21] Appl. No.: **58,638**

[22] Filed: **Aug. 13, 1996**

Related U.S. Application Data

[63] Continuation-in-part of Ser. No. 25,444, Jun. 30, 1994, Pat. No. Des. 372,669.

Foreign Application Priority Data

May 10, 1994 [JP] Japan 6-13335

[51] **LOC (6) Cl.** **09-01**

[52] **U.S. Cl.** **D9/301**

[58] **Field of Search** D9/301, 502, 557; D7/512, 532; 215/382, 900; 220/6, 8, 666; 222/92, 95, 105, 107, 212, 321.7, 525

References Cited

U.S. PATENT DOCUMENTS

D. 229,034	11/1973	Miller et al. .	
D. 246,028	10/1977	McNab .	
D. 372,667	8/1996	Mazda	D9/301
D. 372,669	8/1996	Mazda	D9/301
2,441,649	5/1948	Sprague .	
2,780,378	2/1957	Romano	215/900 X
3,143,429	8/1964	Swanson et al. .	
3,390,821	7/1968	Mullan	222/212
3,506,163	4/1970	Rauh et al. .	
3,833,154	9/1974	Markowitz	222/212
3,939,887	2/1976	Scarnato .	
3,939,888	2/1976	Scarnato .	
4,187,960	2/1980	Bonk	222/107
4,457,455	7/1984	Meshberg	222/321.7 X

4,873,100	10/1989	Dirksing et al.	215/382 X
5,137,183	8/1992	Mikulec et al.	222/525 X
5,333,761	8/1994	Davis et al. .	
5,573,129	11/1996	Nagata et al.	220/666 X

FOREIGN PATENT DOCUMENTS

56-100347	3/1981	Japan .
59-174474	10/1984	Japan .
59-168350	11/1984	Japan .
60-169143	11/1985	Japan .
4-7478	1/1992	Japan .

OTHER PUBLICATIONS

Strawbridge & Clothier, May 1960, p. 2, (Accordion Gift Container; Item 2D).
Starcrest of California, *Bellow Bottles*.

Primary Examiner—James Gandy
Assistant Examiner—Cathron B. Matta
Attorney, Agent, or Firm—Adams Law Firm, P.A.

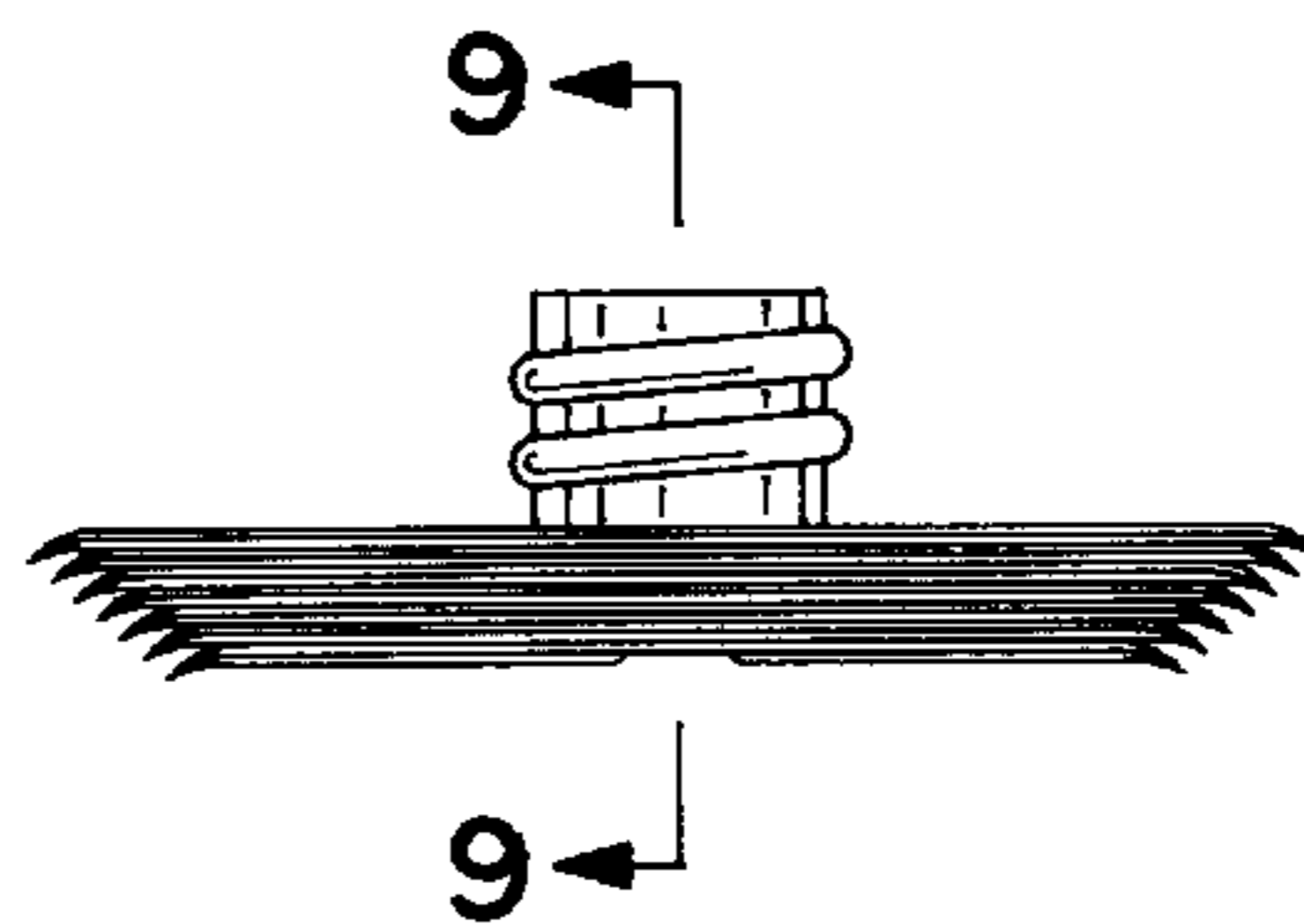
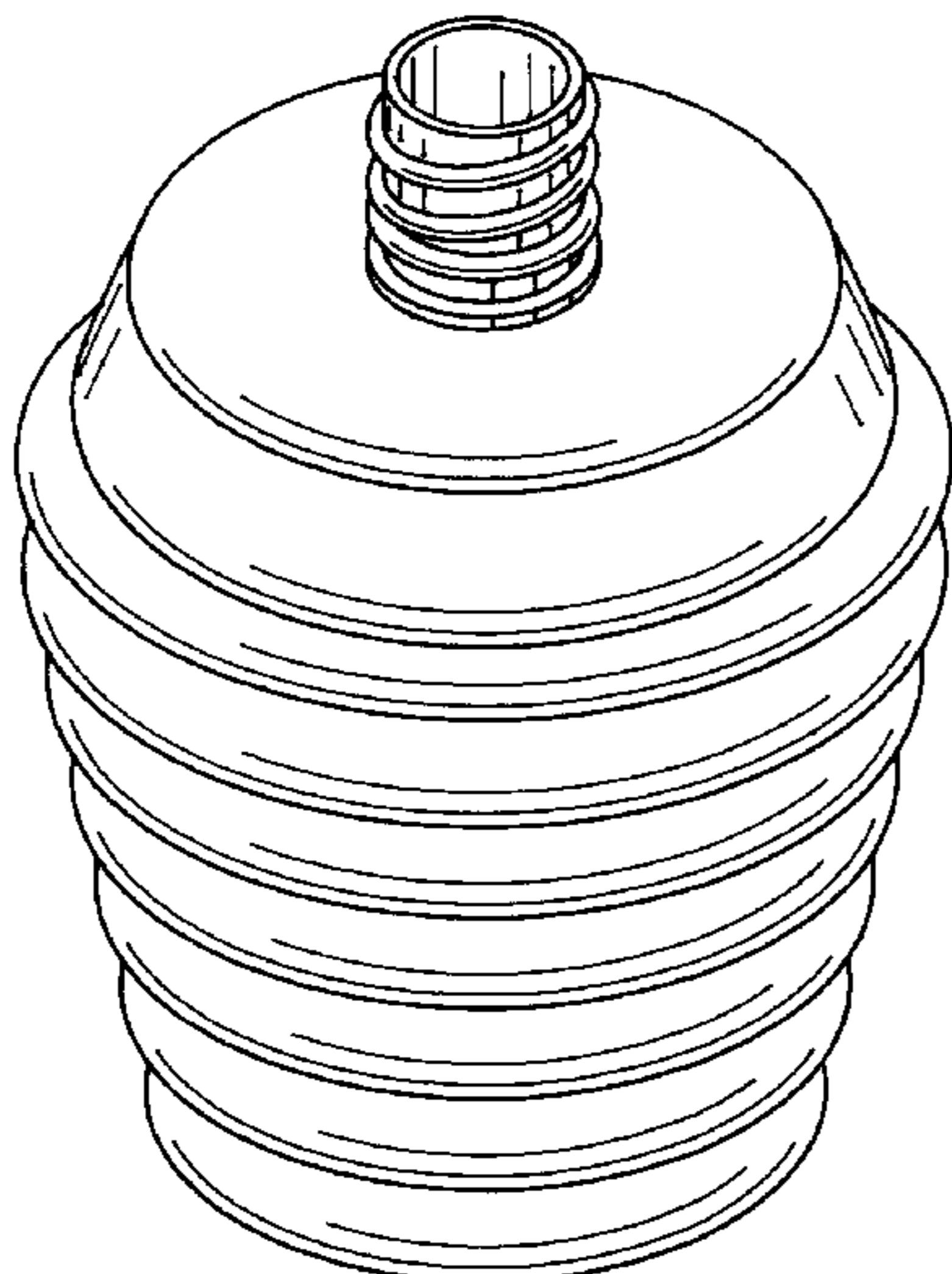
[57] CLAIM

I claim the ornamental design for a bellows container, as shown and described.

DESCRIPTION

FIG. 1 is a perspective view of the bellows container; FIG. 2 is a right side elevational view, the left side being a mirror image thereof; FIG. 3 is a top end view thereof; FIG. 4 is a bottom end view thereof; FIG. 5 is a front side elevational view, the back side being a mirror image thereof; FIG. 6 is a right side elevational view of the container when compressed, the left side being a mirror image thereof; FIG. 7 is a front side elevational view of the container when compressed, the back side being a mirror image thereof; FIG. 8 is a cross-sectional view taken substantially along line 8—8 of FIG. 3; and, FIG. 9 is a cross-sectional view taken substantially along line 9—9 of FIG. 6.

1 Claim, 5 Drawing Sheets



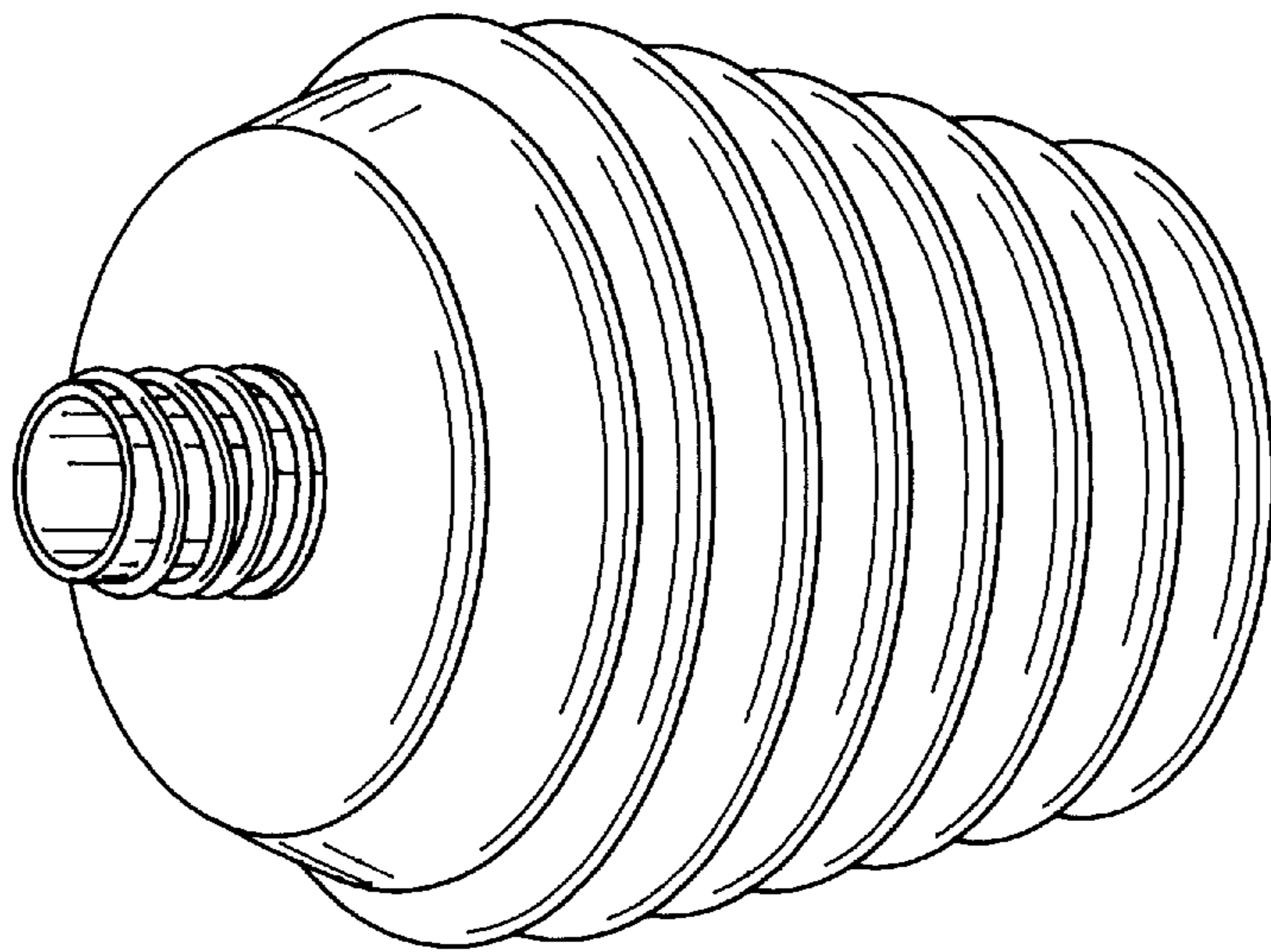


FIG. 1

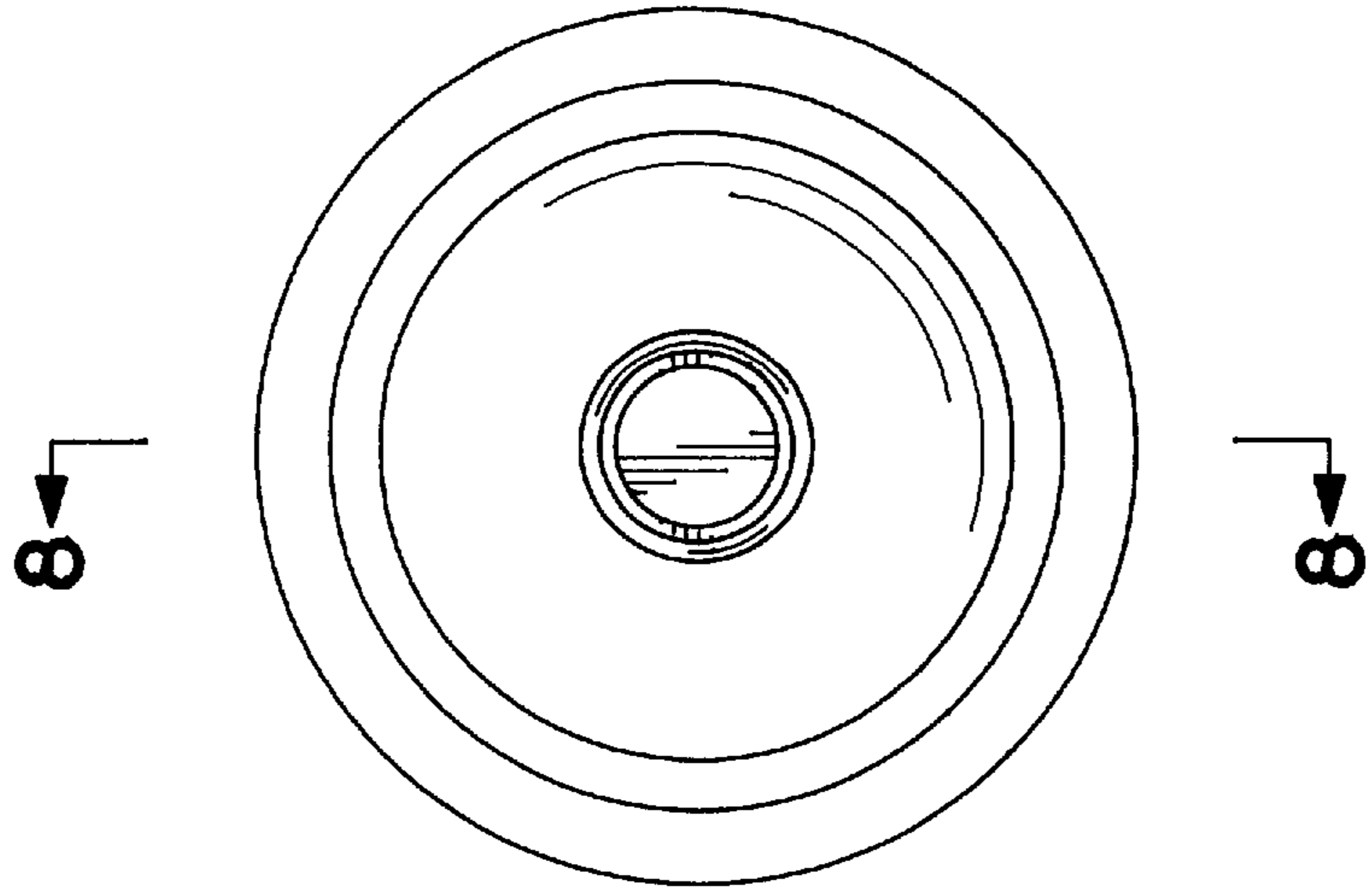


FIG. 3

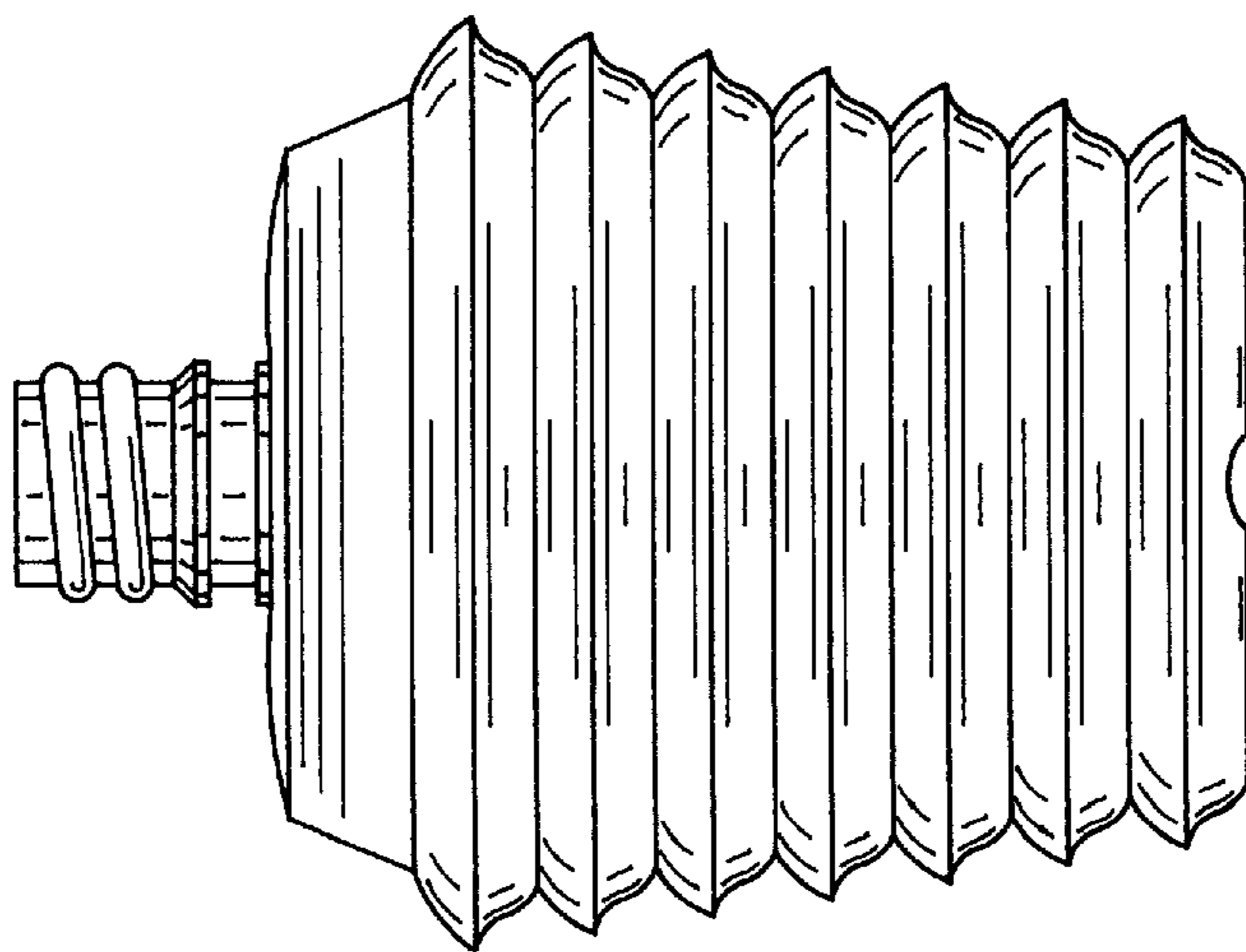


FIG. 2

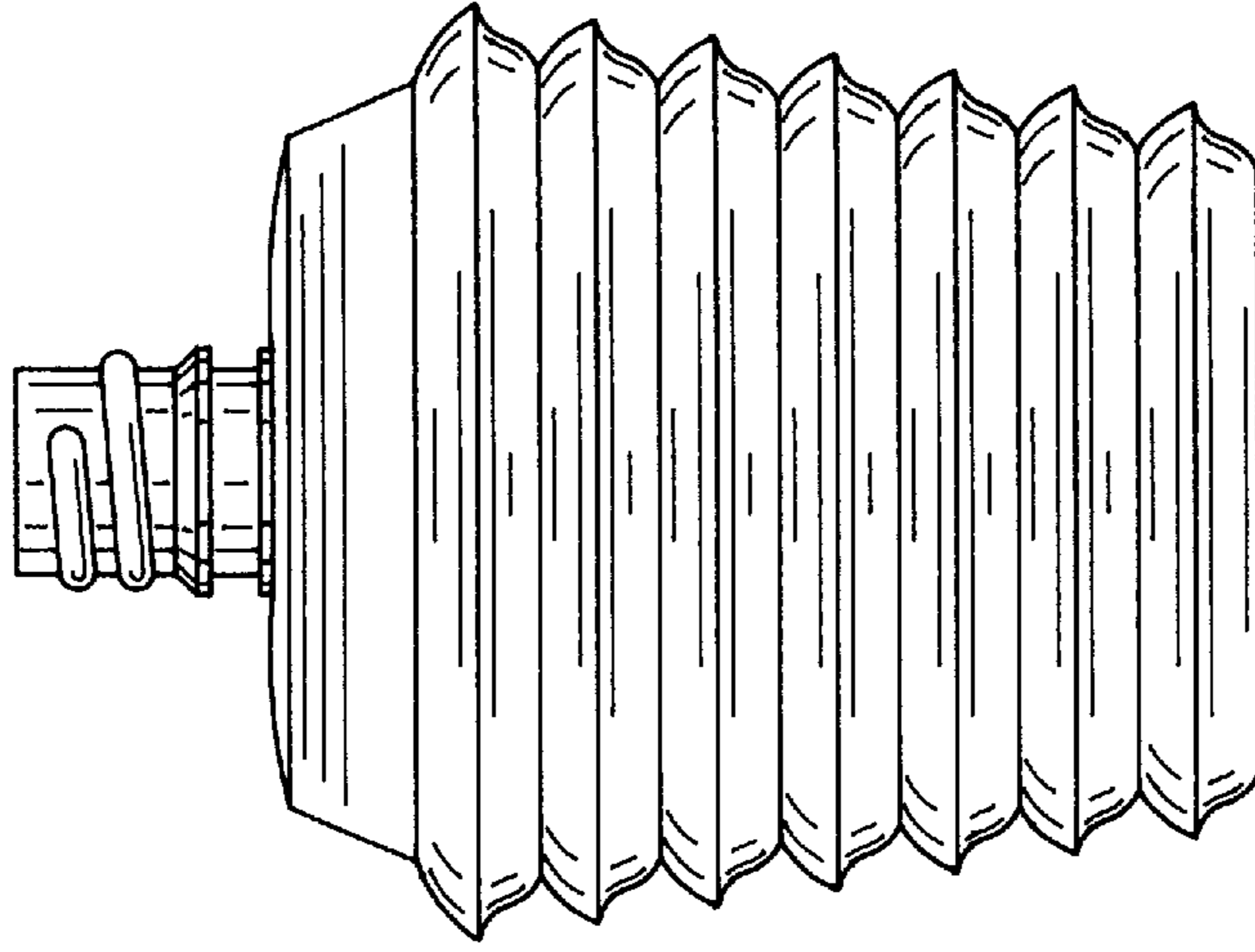


FIG. 5

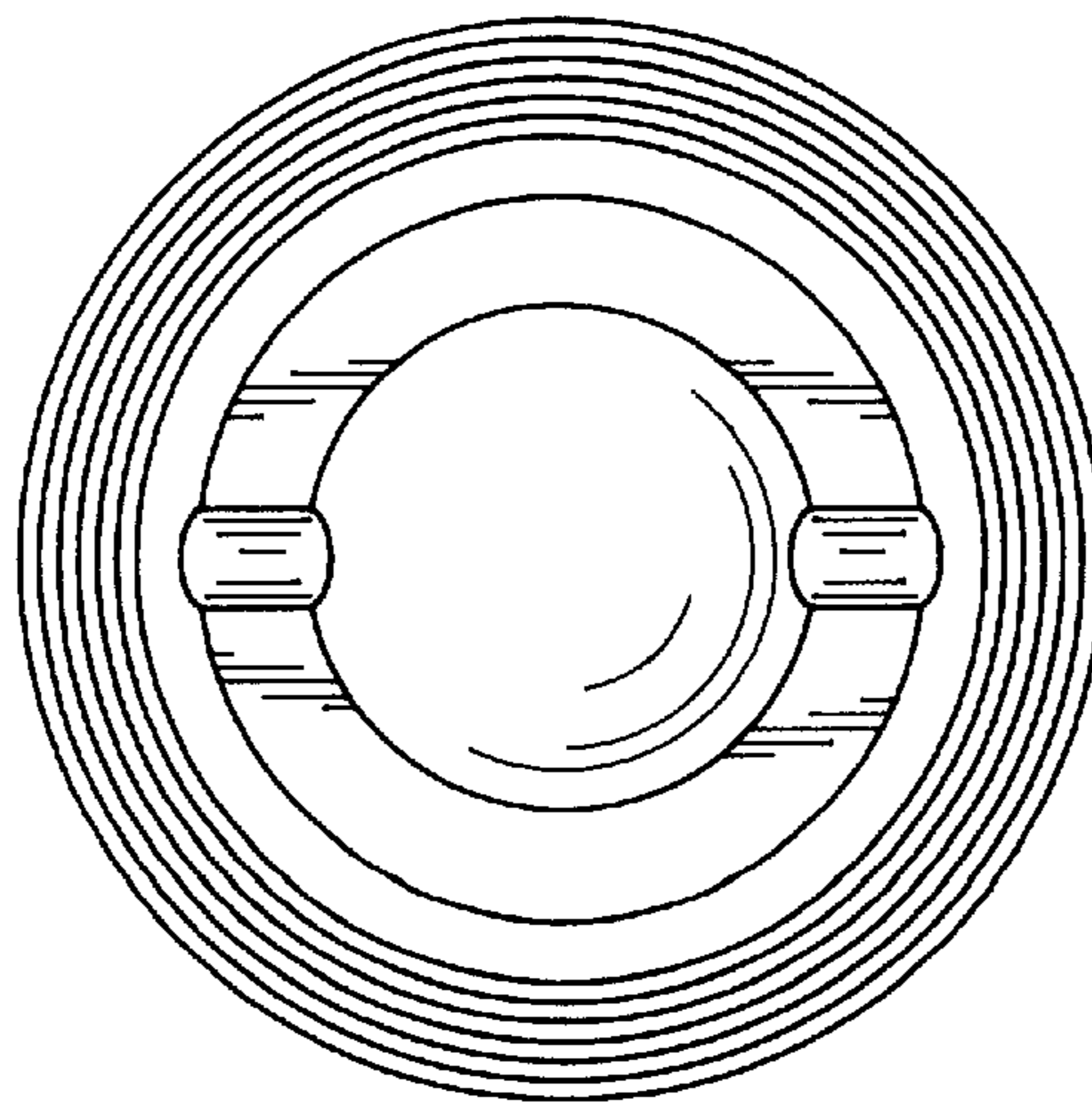


FIG. 4

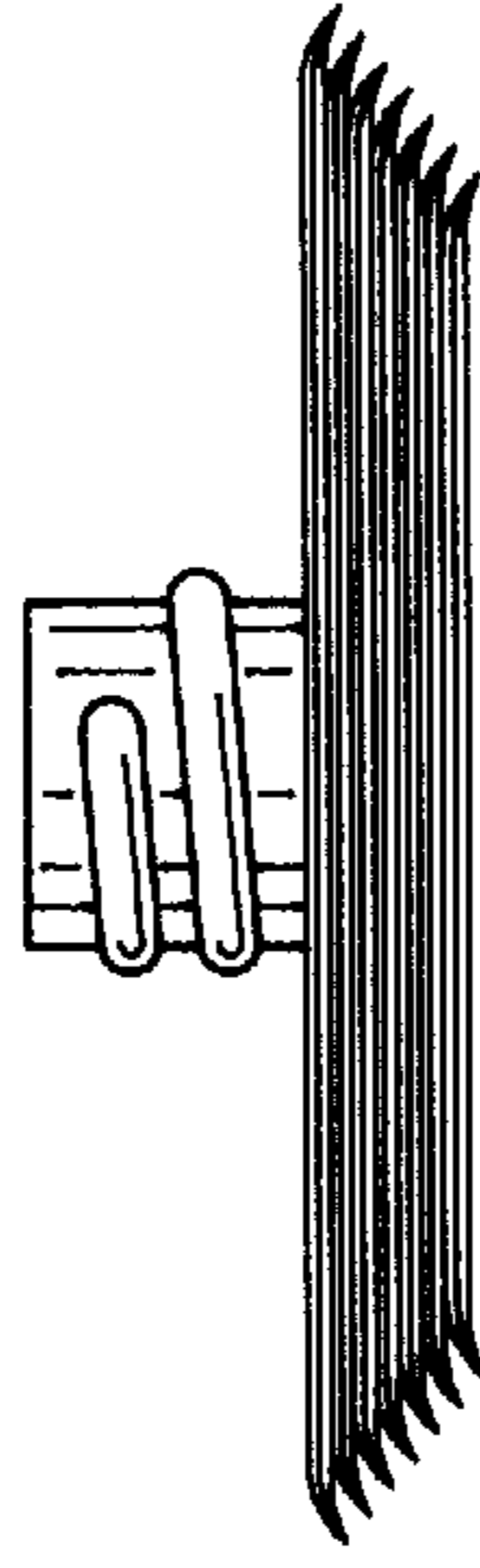


FIG. 7

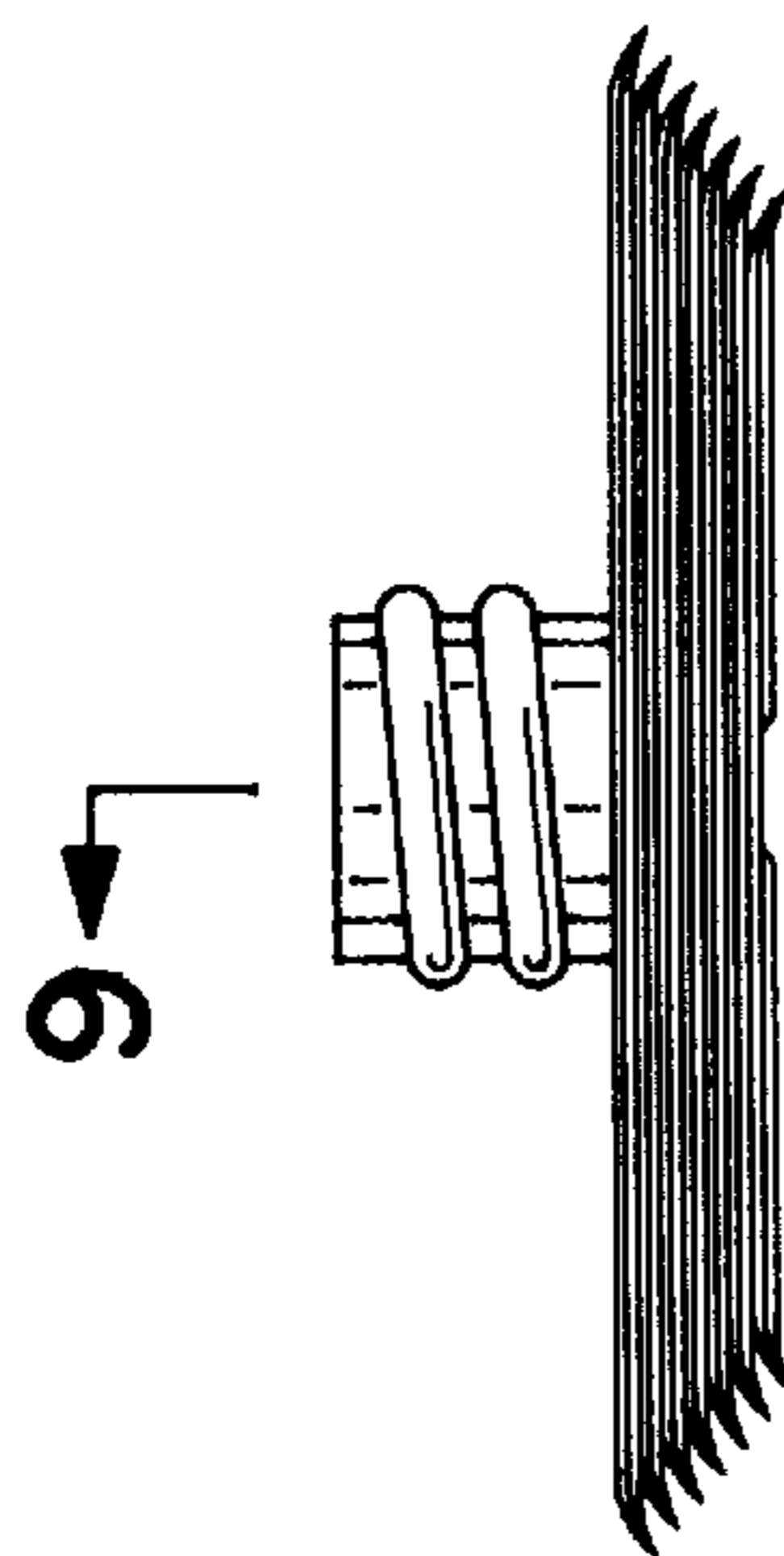


FIG. 6

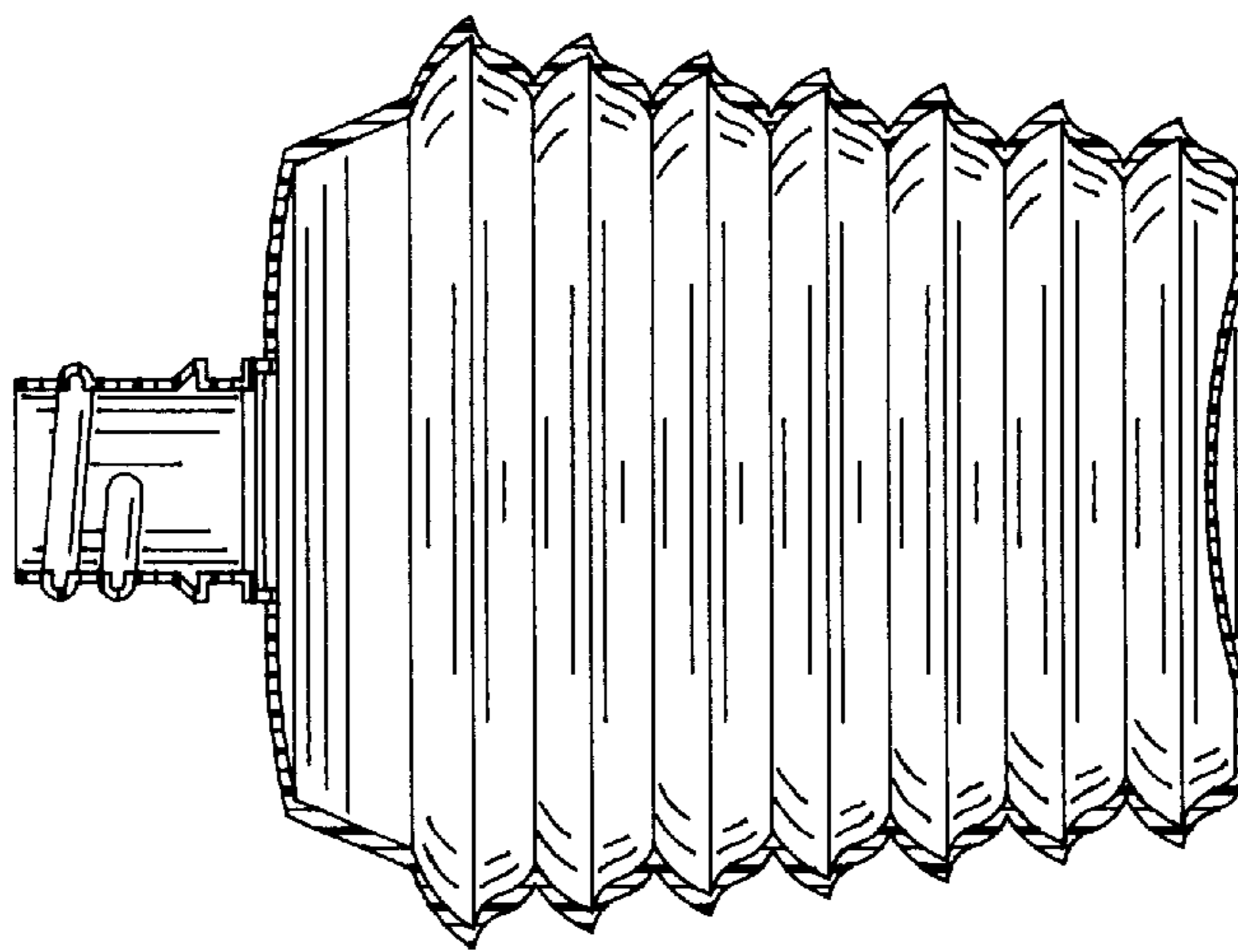


FIG. 8

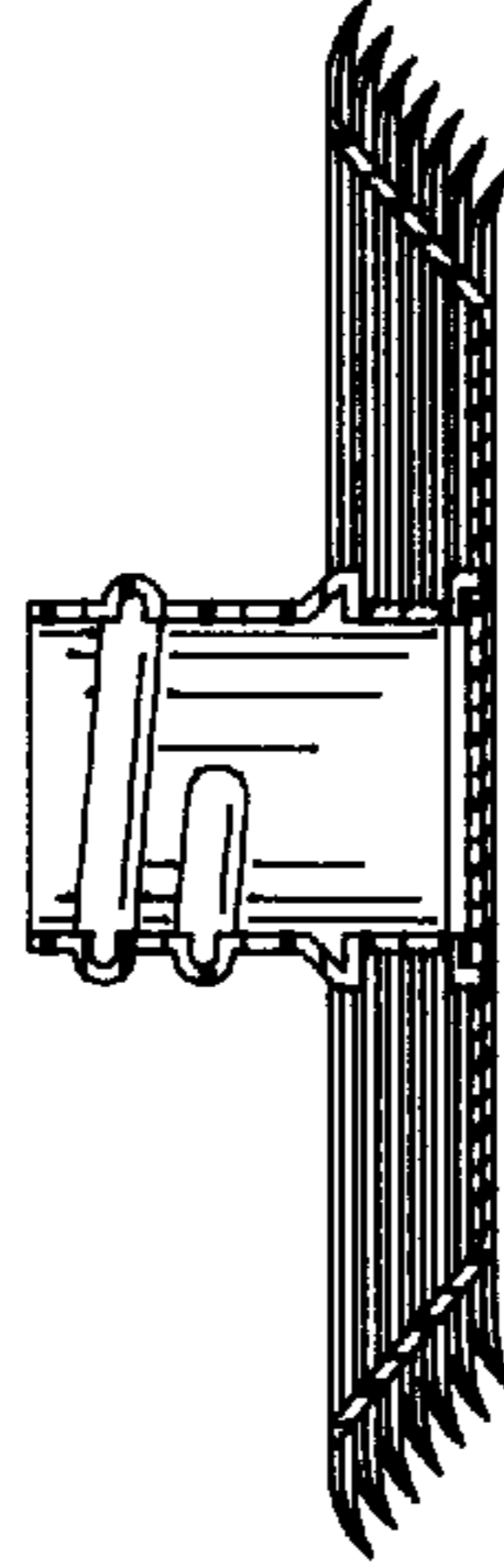


FIG. 9