



US00D397923S

# United States Patent [19]

Herrmann et al.

[11] Patent Number: Des. 397,923

[45] Date of Patent: \*\*Sep. 8, 1998

[54] SCISSOR BLADE YOKE FOR POWER SHEARS

[75] Inventors: **Raymond J. Herrmann**, Westlake;  
**Arthur W. Zimmerman**, Bay Village,  
both of Ohio

[73] Assignee: **Bettcher Industries, Inc.**, Birmingham,  
Ohio

[\*\*] Term: **14 Years**

[21] Appl. No.: **47,777**

[22] Filed: **Dec. 12, 1995**

3,834,020	9/1974	Caire .	
3,970,110	7/1976	Schaedler et al. .	
4,109,381	8/1978	Pellenc .	
4,206,603	6/1980	Mekler .	
4,359,821	11/1982	Pellenc .	
4,382,331	5/1983	Kimura .	
4,521,963	6/1985	Lind et al. .	
4,587,732	5/1986	Lind et al. .	
4,637,288	1/1987	Olsen et al. .	
4,756,220	7/1988	Olsen et al. .	
4,791,726	12/1988	Ailey, Jr. ....	30/228
4,949,461	8/1990	van der Merne et al. .	
4,967,474	11/1990	Wells .	
5,002,135	3/1991	Pellenc .	
5,150,523	9/1992	McCurry .	
5,172,479	12/1992	Keeton .	

### Related U.S. Application Data

[60] Division of Ser. No. 445,344, May 19, 1995, and a continuation-in-part of Ser. No. 330,183, Oct. 27, 1994, abandoned, which is a division of Ser. No. 132,526, Oct. 6, 1993, Pat. No. 5,375,330.

[51] **LOC (6) Cl.** ..... **08-03**

[52] **U.S. Cl.** ..... **D8/70; D8/69**

[58] **Field of Search** ..... D8/57, 61, 68,  
D8/69, 107, 70; 30/145, 215, 223, 225,  
2, 28, 232, 252, 253, 254, 262; 7/135; 137/627.5;  
452/149

### References Cited

#### U.S. PATENT DOCUMENTS

D. 209,442	11/1967	Greene .....	D8/69
D. 296,516	7/1988	Doyel .....	D8/69
D. 358,747	5/1995	Juranitch .....	D8/57
D. 359,427	6/1995	Birkholz .....	D8/107
2,348,612	2/1944	Deacon .	
2,699,756	1/1955	Miller .	
2,743,707	5/1956	Kellersman .	
2,818,643	1/1958	Dawson .	
3,081,790	3/1963	Radford .	
3,294,120	12/1966	Ruchser .	
3,688,402	9/1972	Shannon .	
3,787,742	1/1974	Murphy .	

### FOREIGN PATENT DOCUMENTS

9114545 10/1991 WIPO .

*Primary Examiner*—James M. Gandy  
*Assistant Examiner*—Robert M. Spear  
*Attorney, Agent, or Firm*—Watts, Hoffmann, Fisher & Heinke Co.

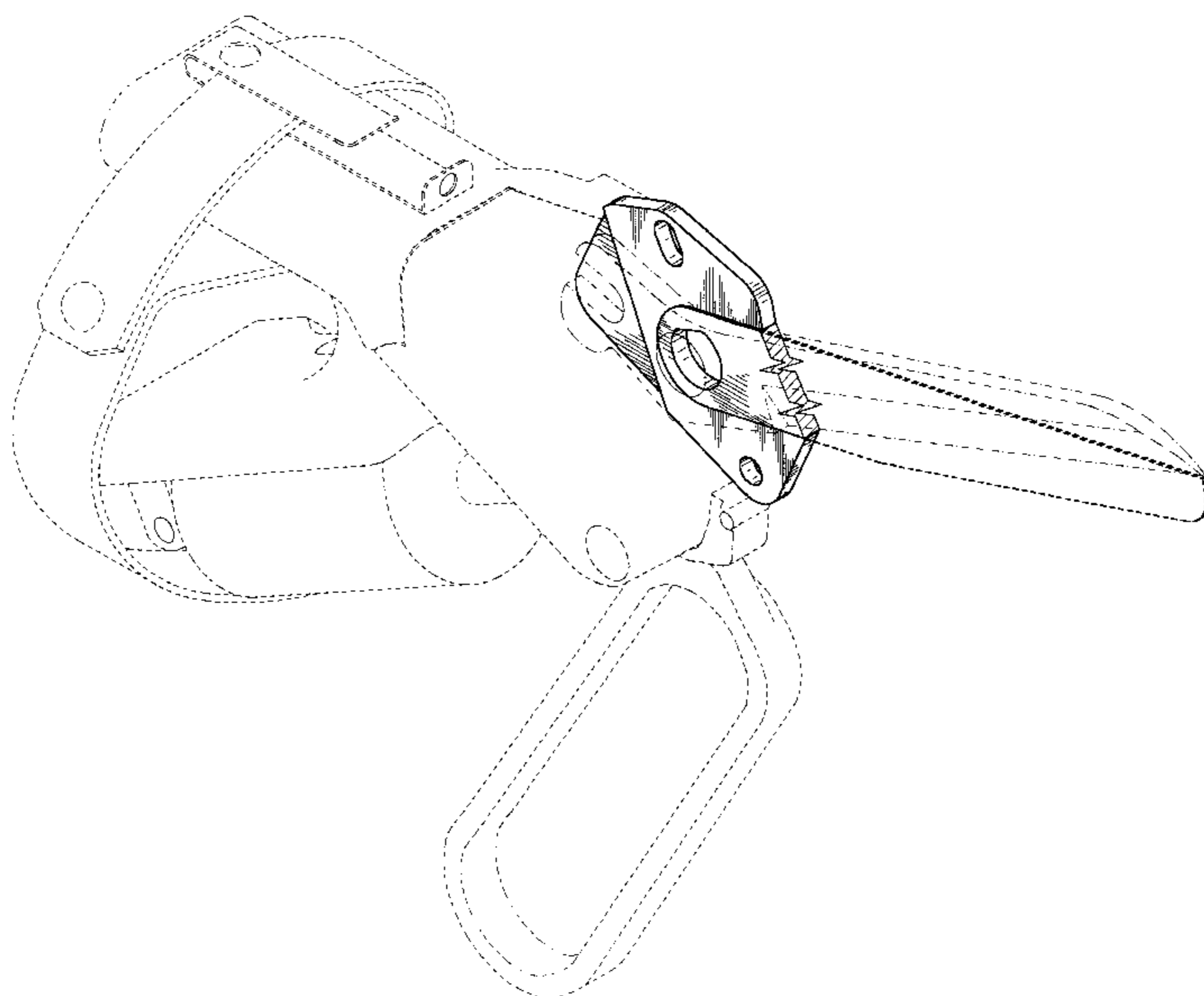
### [57] CLAIM

The ornamental design for a scissor blade yoke for power shears, as shown and described.

### DESCRIPTION

FIG. 1 is a perspective view of a scissor blade yoke for power shears showing our new design as viewed from the right side and front of the scissor blade;  
FIG. 2 is a left-side elevational view thereof;  
FIG. 3 is a right-side elevational view thereof;  
FIG. 4 is a top plan view thereof;  
FIG. 5 is a bottom plan view thereof;  
FIG. 6 is a front elevational view thereof; and,  
FIG. 7 is a rear elevational view thereof.  
The broken line showing of power shears and blade assembly is for illustrative purposes only and forms no part of the claimed design.

**1 Claim, 2 Drawing Sheets**



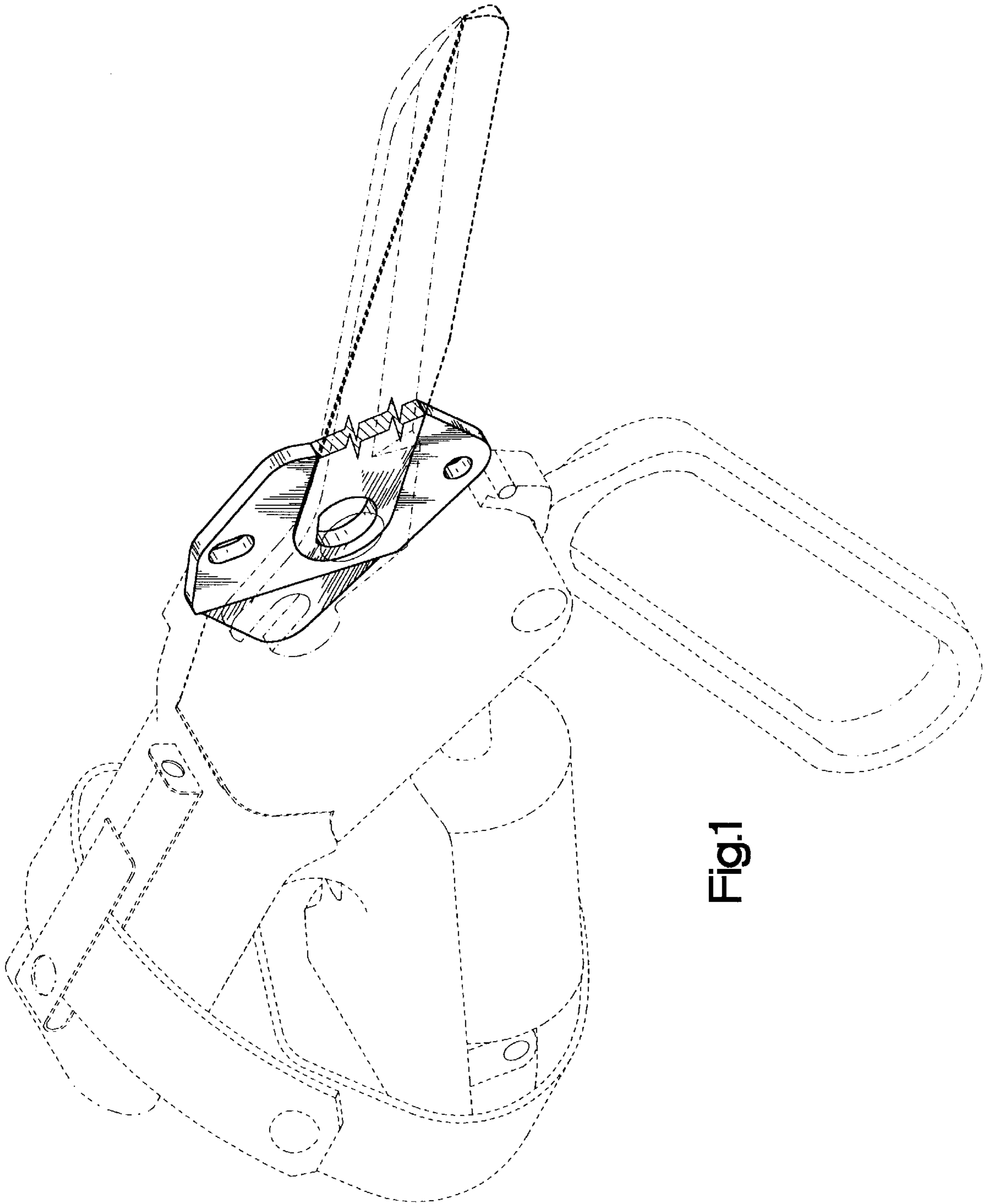


Fig.1

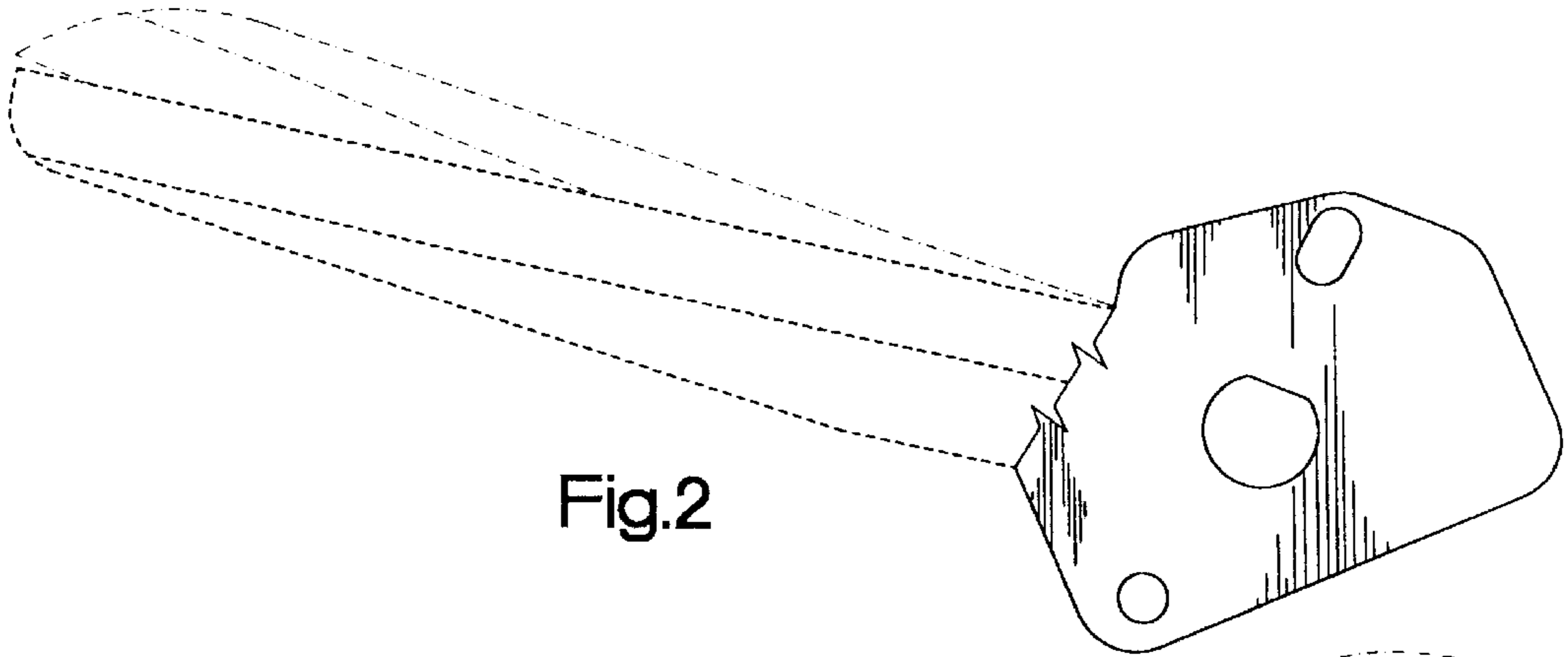


Fig.2

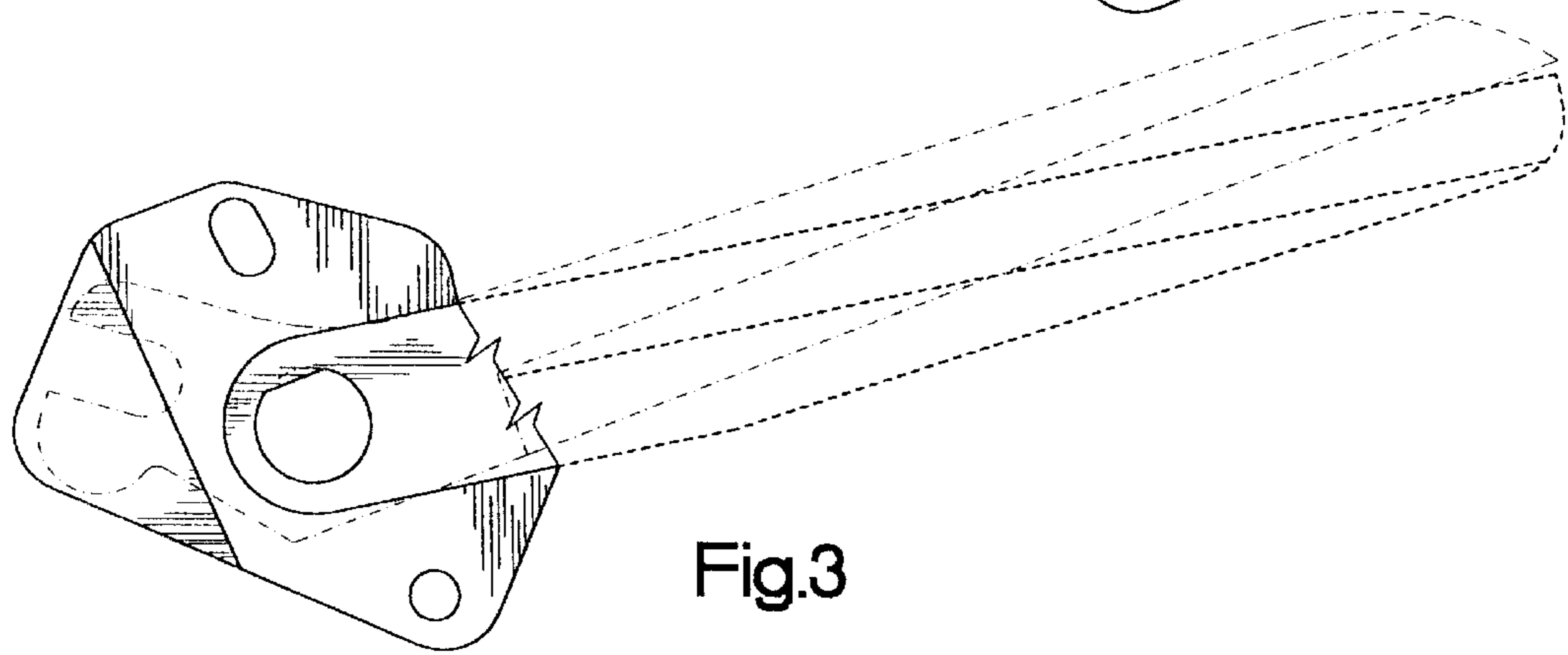


Fig.3

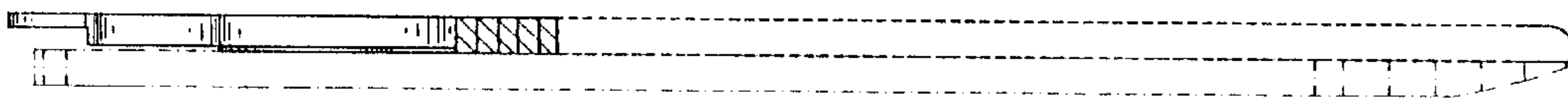


Fig.4

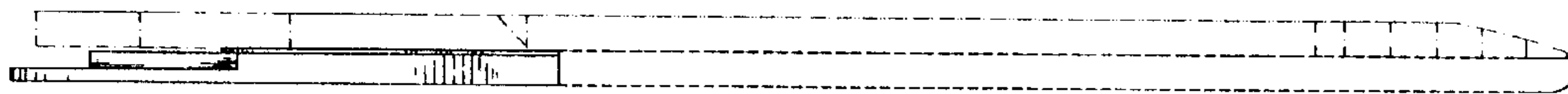


Fig.5



Fig.6



Fig.7