



US00D397918S

United States Patent [19] Martinovic

[11] Patent Number: **Des. 397,918**

[45] Date of Patent: ****Sep. 8, 1998**

[54] **CORN BUTTERING TOOL**

[76] Inventor: **Zoran Martinovic**, 120 Wooster St.,
Apt. #P, New Haven, Conn. 06511

[**] Term: **14 Years**

[21] Appl. No.: **75,825**

[22] Filed: **Aug. 26, 1997**

[51] **LOC (6) Cl.** **07-04**

[52] **U.S. Cl.** **D7/670**

[58] **Field of Search** D7/670; 118/13,
118/76, 258; 401/12

[56] **References Cited**

U.S. PATENT DOCUMENTS

D. 257,117	9/1980	Steiner	D7/670
2,808,020	10/1957	Arvidson	D7/670 X
2,903,997	9/1959	Hay	D7/670 X
2,948,260	8/1960	Lubore	D7/670 X
3,396,697	8/1968	Bieser	D7/670 X

Primary Examiner—Terry A. Wallace

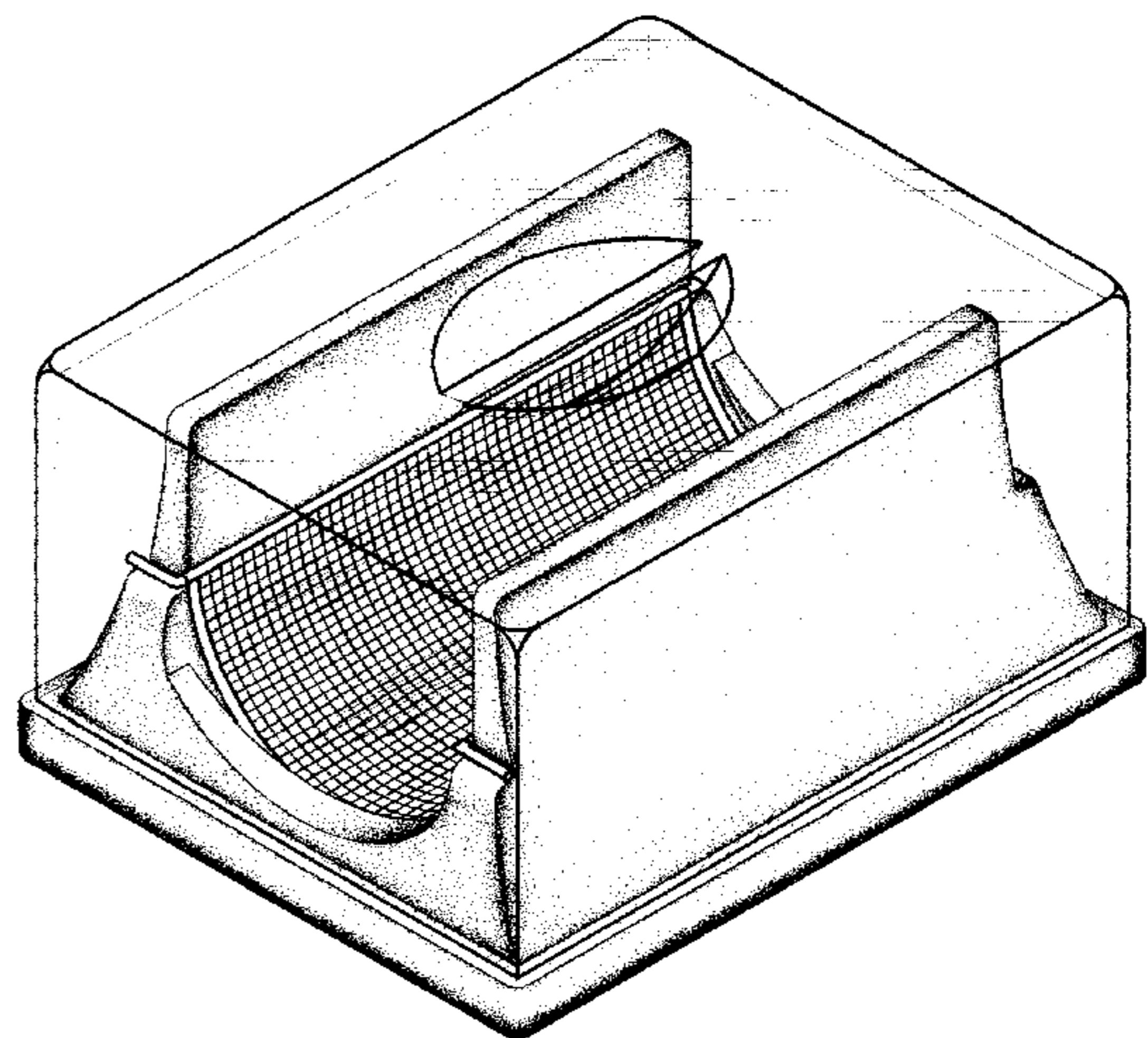
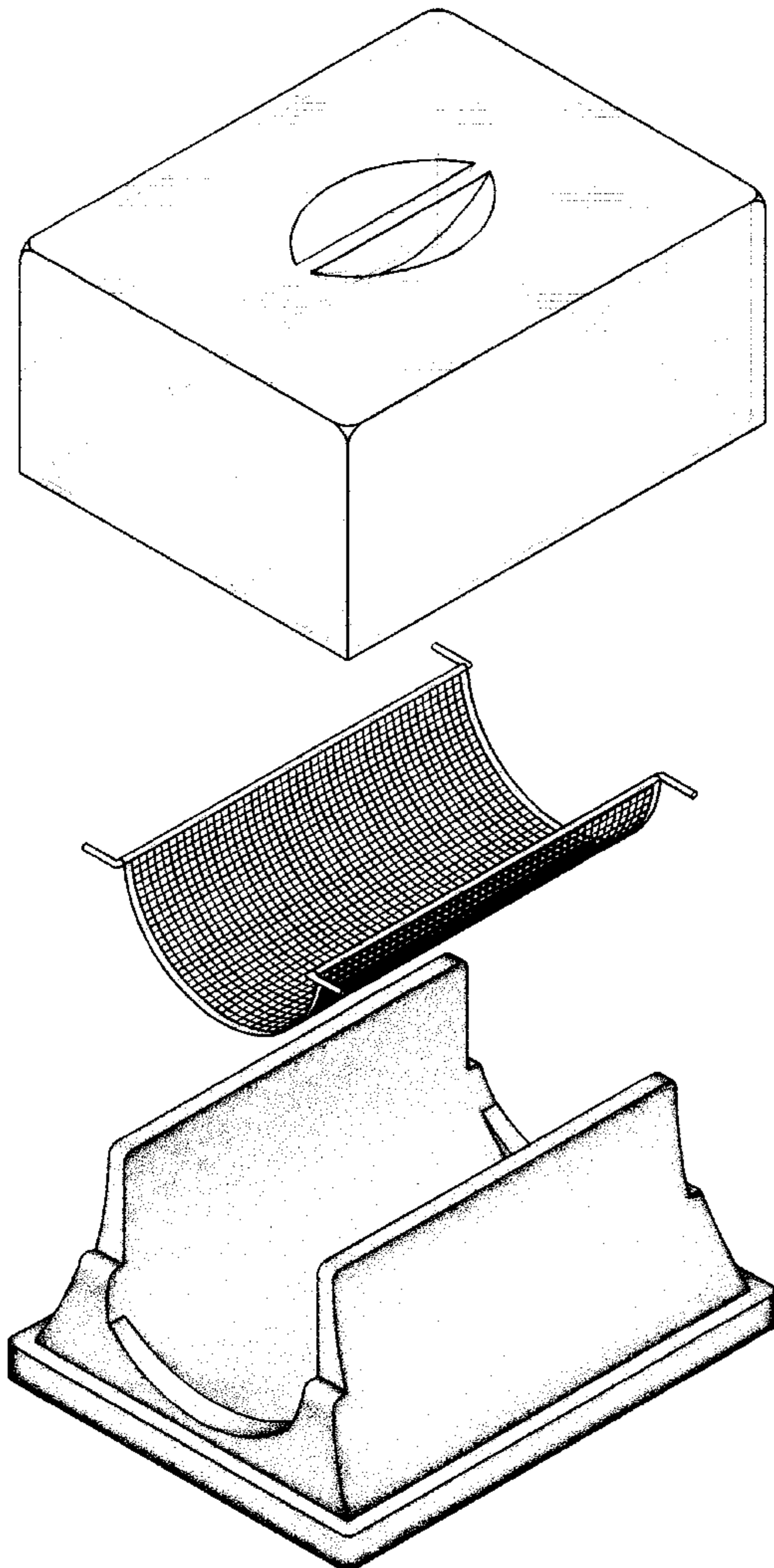
[57] **CLAIM**

The design of a corn buttering tool, as shown.

DESCRIPTION

FIG. 1 is a prospective exploded view of a corn buttering tool consisting of a dish, a strainer and a lid;
 FIG. 2 is a front elevational view of a corn buttering tool dish;
 FIG. 3 is a side elevational view of a corn buttering tool dish;
 FIG. 4 is a top plan view of a corn buttering tool dish;
 FIG. 5 is a cross-sectional view of a corn buttering tool dish taken along the lines 5—5 of FIG. 4;
 FIG. 6 is a perspective view of a corn buttering tool;
 FIG. 7 is a side elevational view of a corn buttering tool strainer;
 FIG. 8 is a front elevational view of a corn buttering tool strainer;
 FIG. 9 is a top plan view of a corn buttering tool strainer;
 FIG. 10 is a cross-sectional view of a corn buttering tool lid taken along the lines 10—10 of FIG. 11;
 FIG. 11 is a top plane view of a corn buttering tool lid; and,
 FIG. 12 is a cross-sectional view of a corn buttering tool lid taken along the lines 12—12 of FIG. 11.

1 Claim, 3 Drawing Sheets



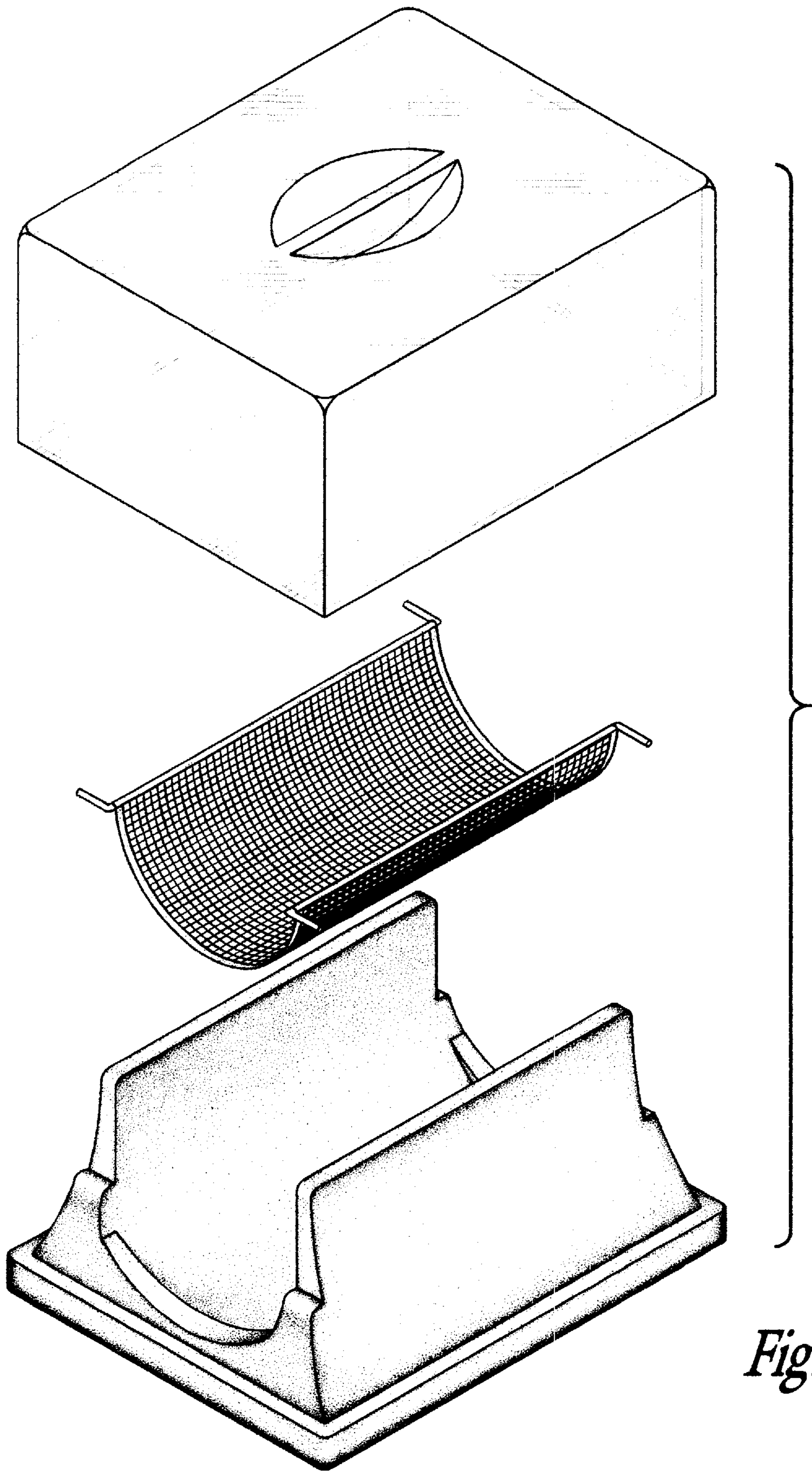


Fig. 1

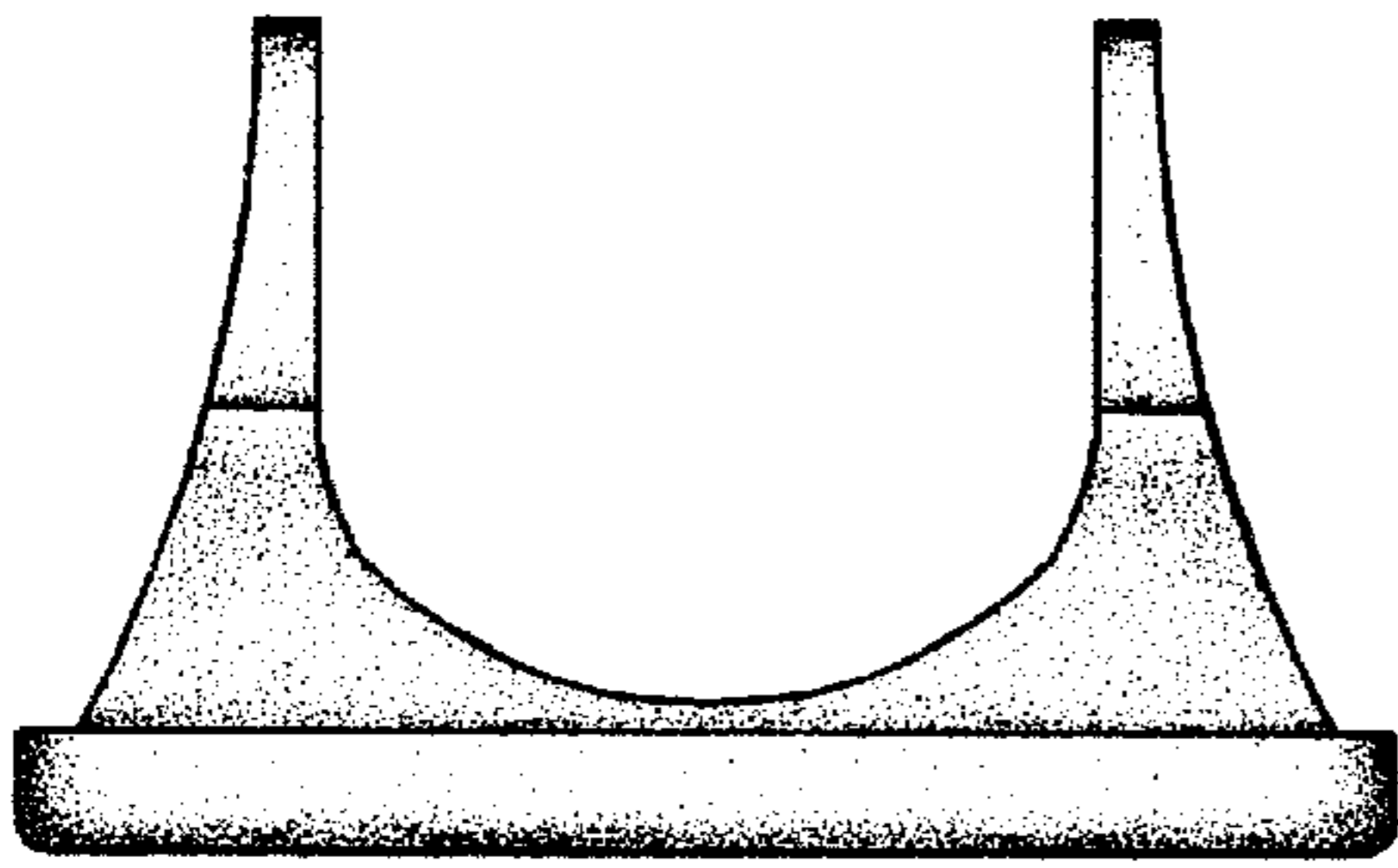


Fig. 2

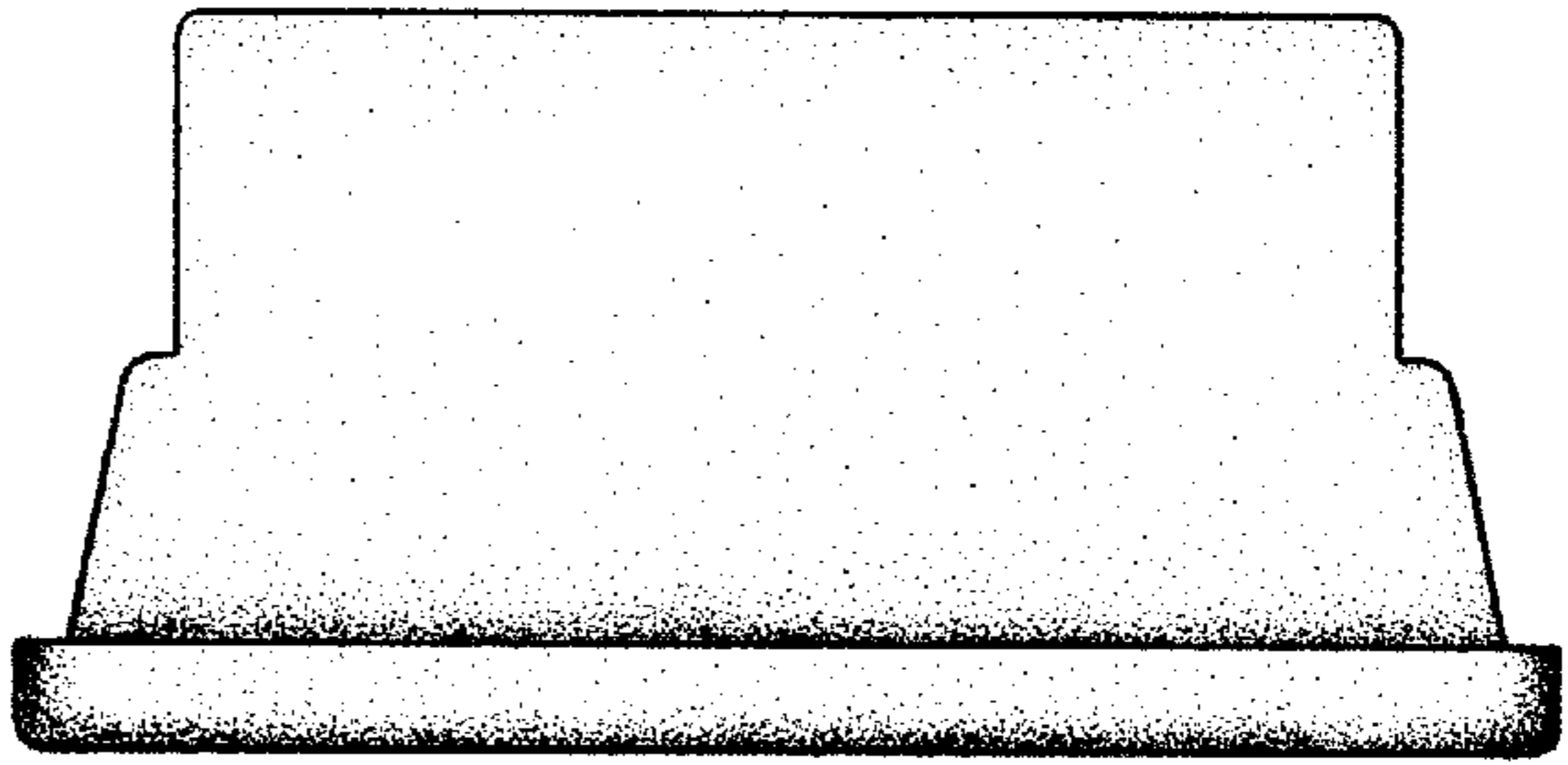


Fig. 3

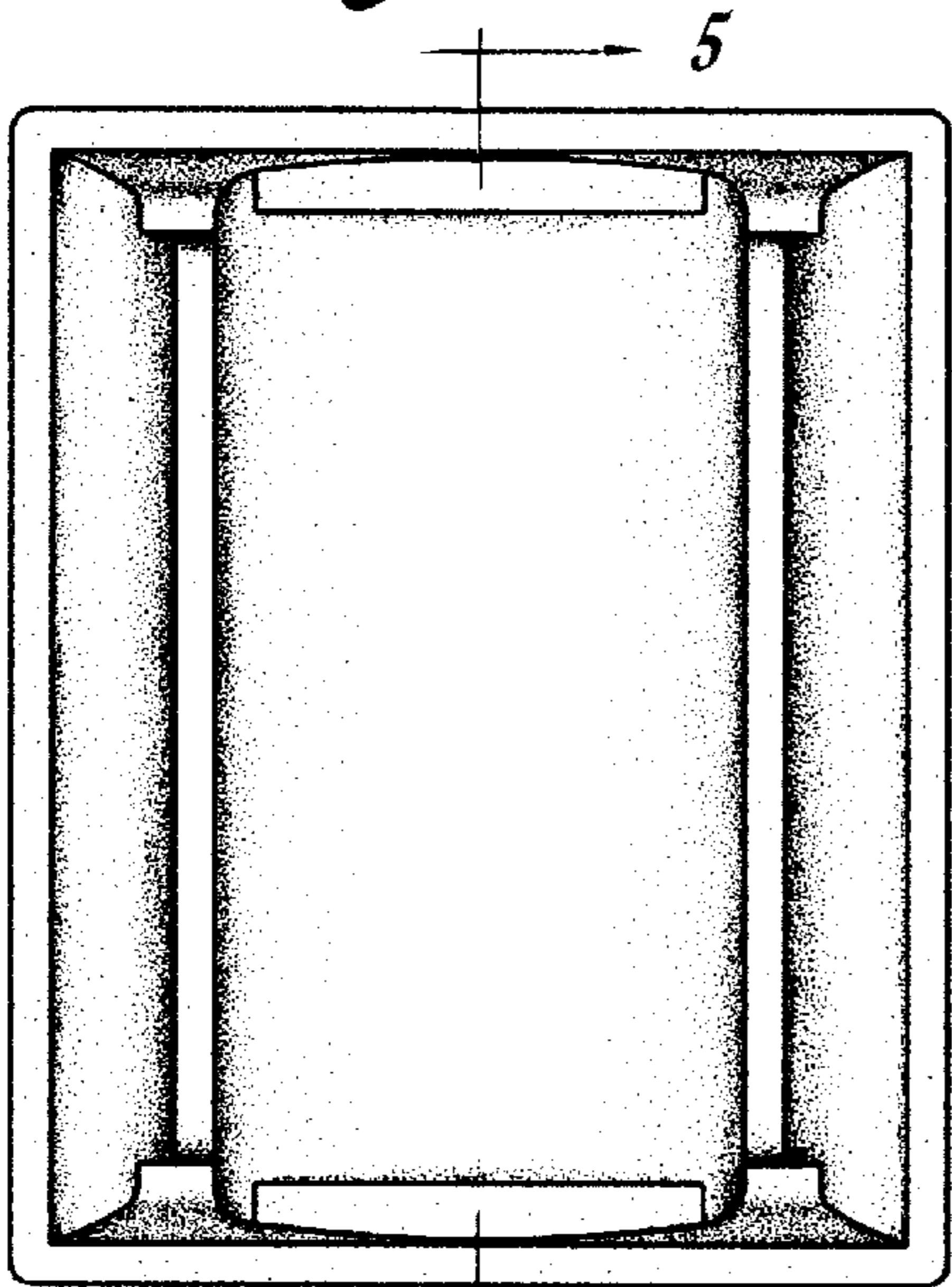


Fig. 4

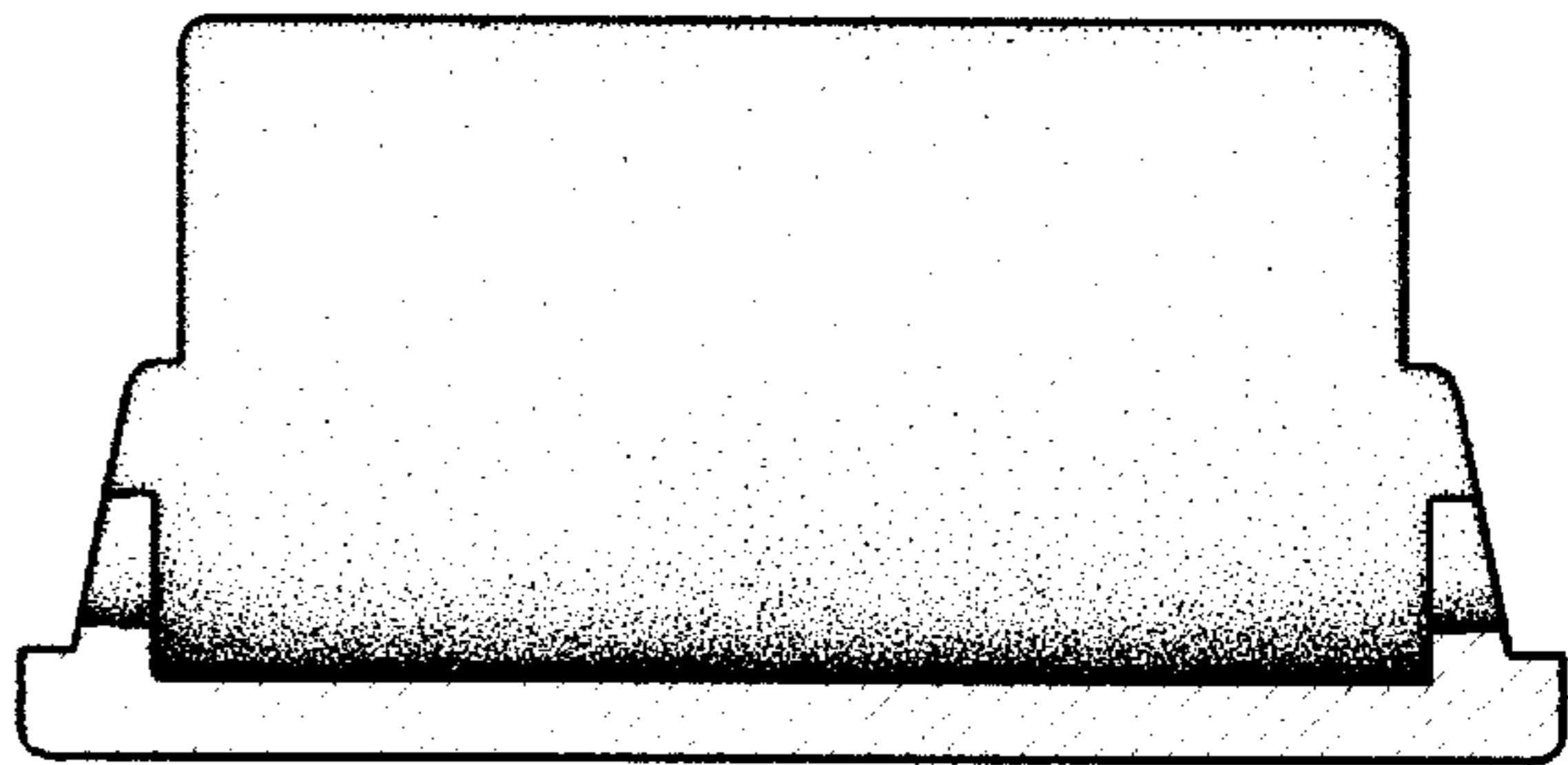


Fig. 5

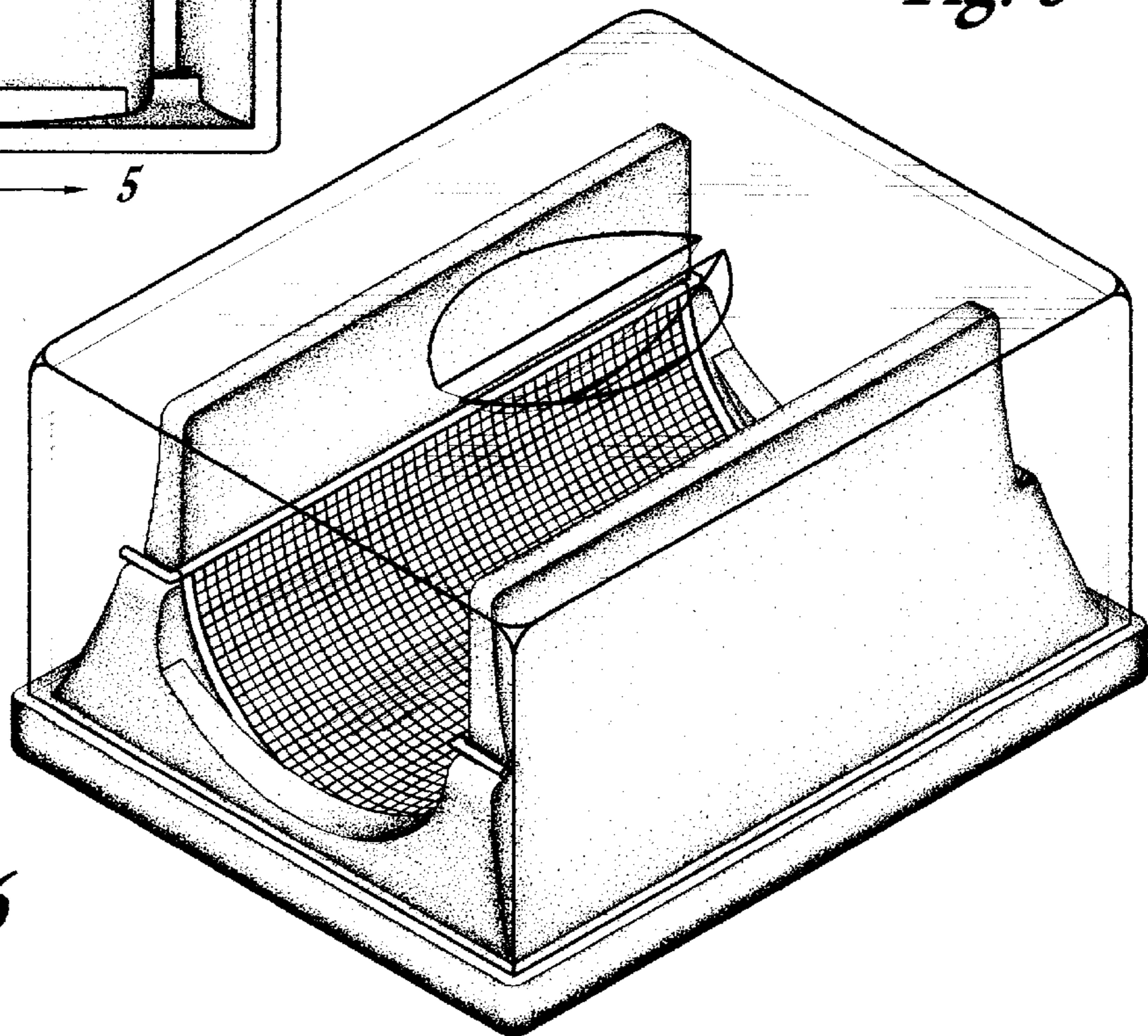


Fig. 6

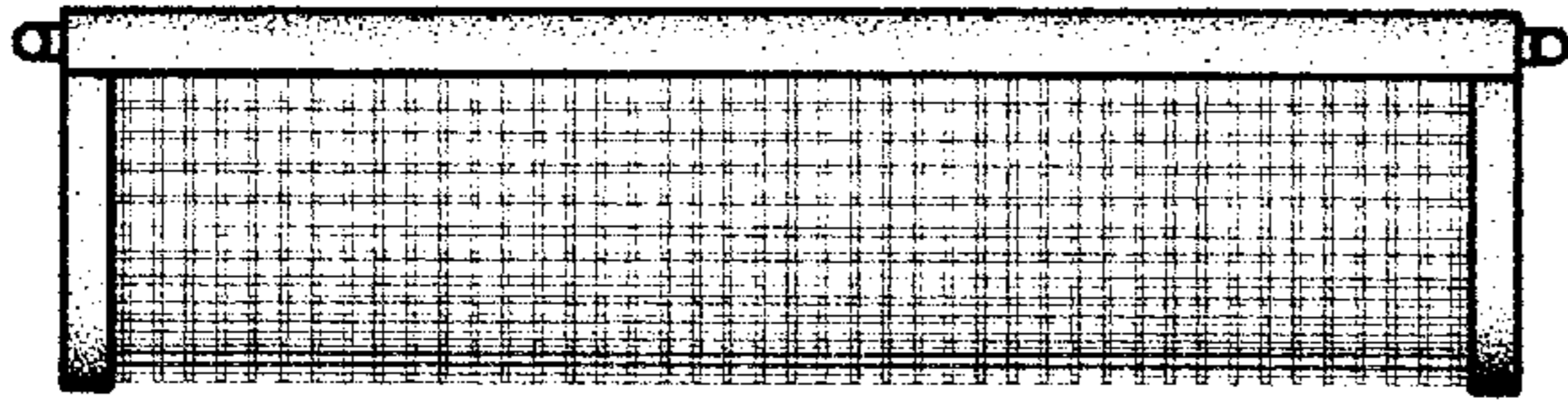


Fig. 7

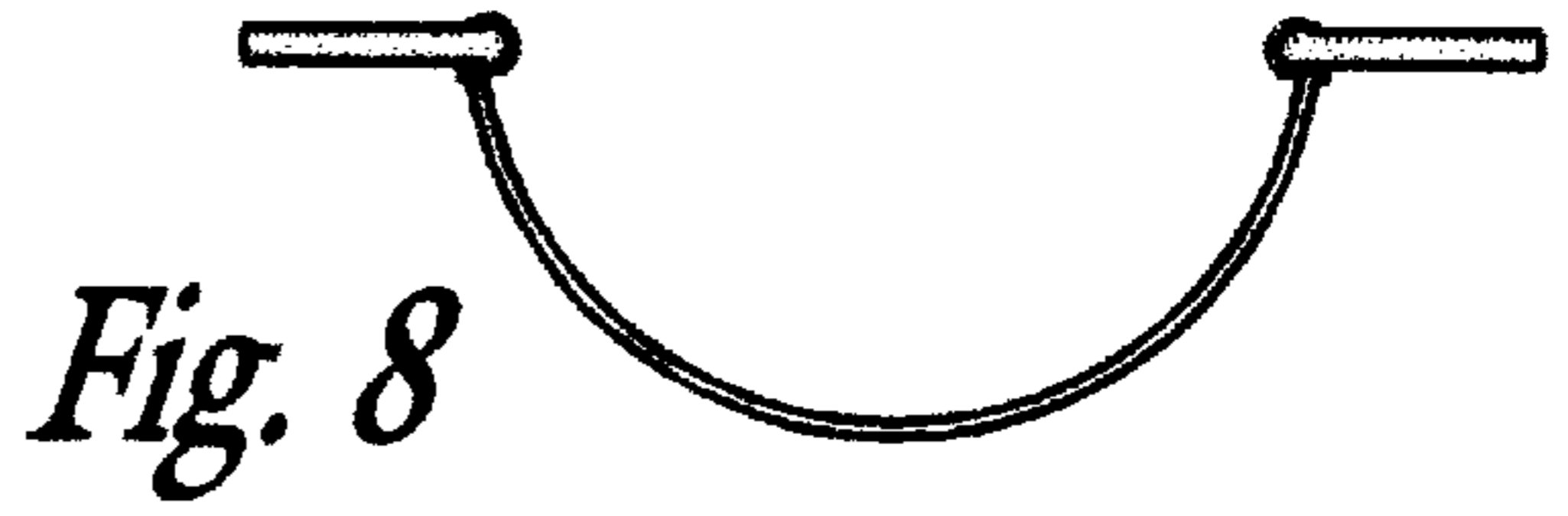


Fig. 8

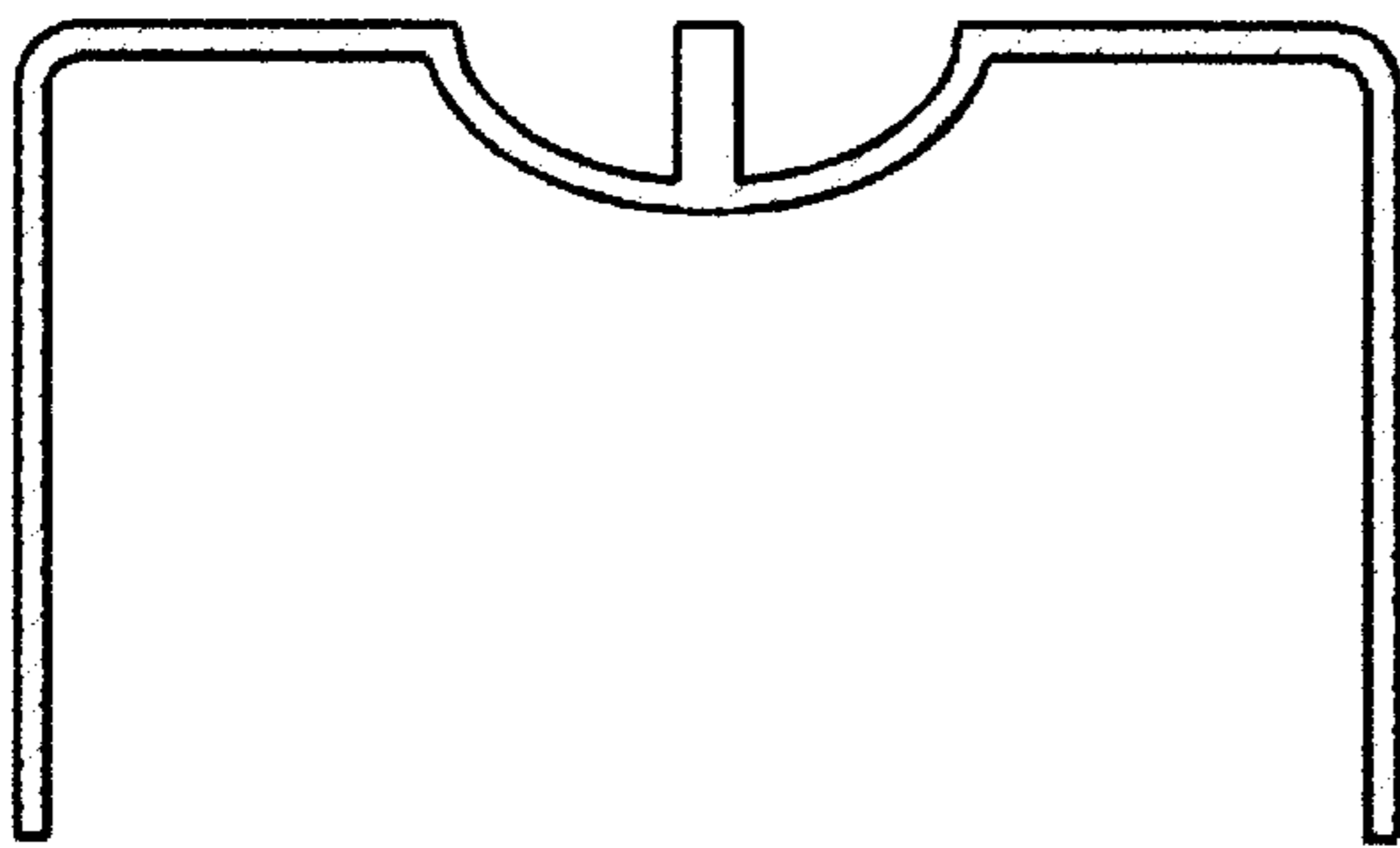


Fig. 10

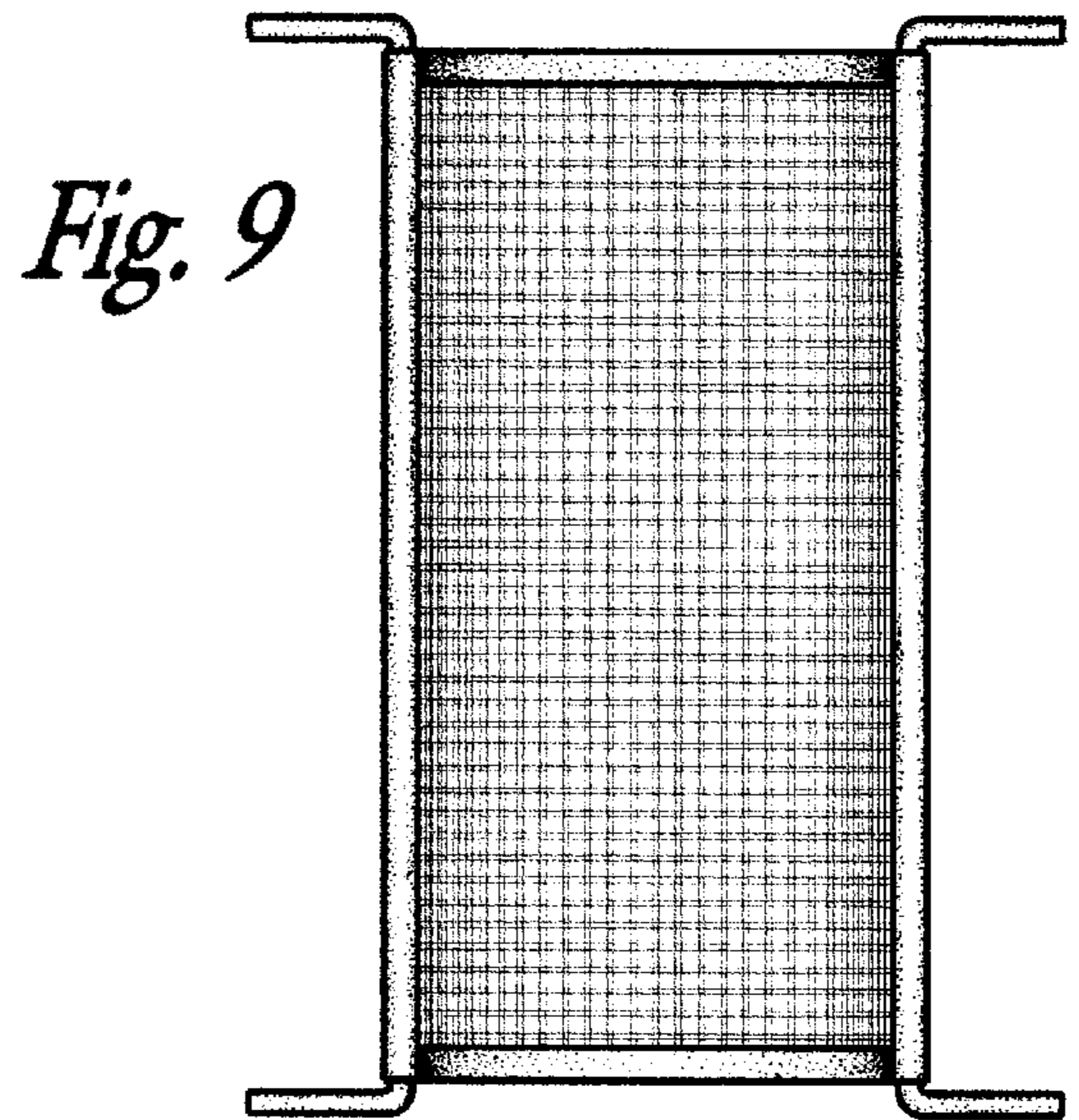


Fig. 9

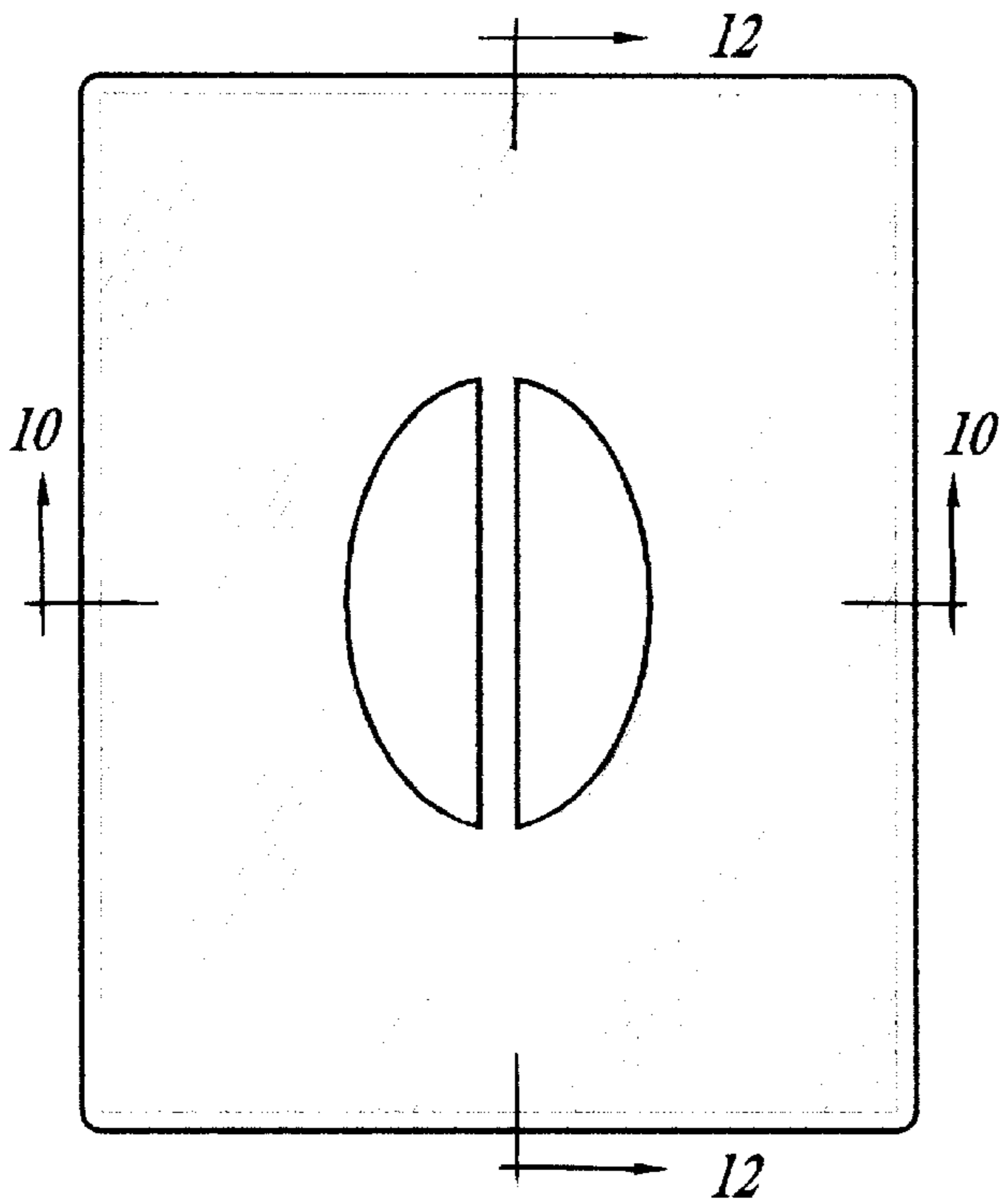


Fig. 11

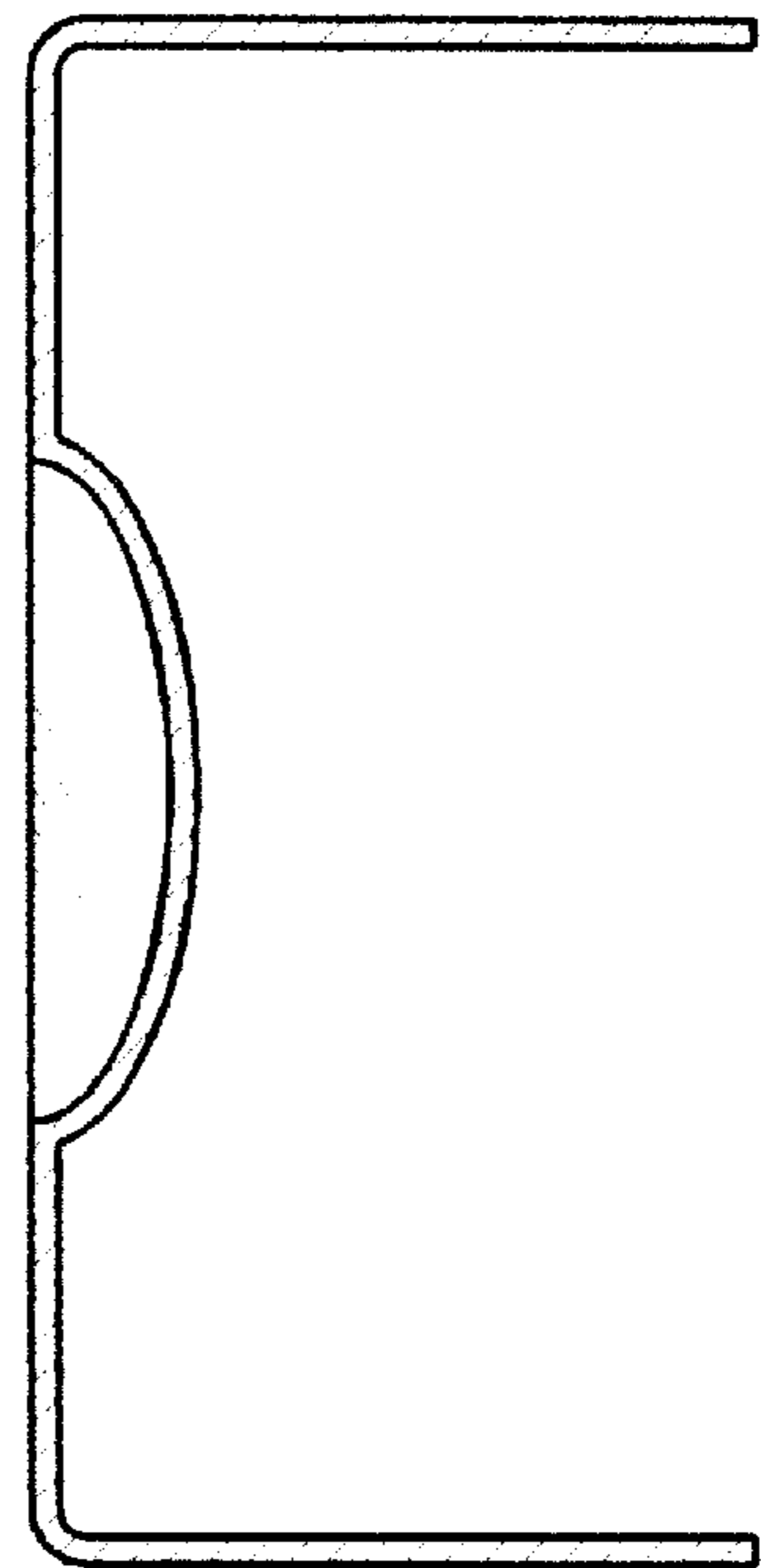


Fig. 12