



US00D397915S

United States Patent [19]
McNaughton

[11] **Patent Number:** **Des. 397,915**
[45] **Date of Patent:** ****Sep. 8, 1998**

[54] **ADAPTABLE BEVERAGE HOLDER**

Primary Examiner—Terry A. Wallace

[76] Inventor: **Patrick J. McNaughton**, 2550
Medicine Ridge Rd., Minneapolis,
Minn. 55441

[57] **CLAIM**

The ornamental design for adaptable beverage holder, as shown and described.

[**] Term: **14 Years**

DESCRIPTION

[21] Appl. No.: **75,481**

FIG. 1 is a perspective view as seen from the top front and one side of an “adaptable beverage holder” showing my new design;

[22] Filed: **Jul. 22, 1997**

[51] **LOC (6) Cl.** **07-06**

[52] **U.S. Cl.** **D7/619**

[58] **Field of Search** D7/605, 608, 619–625;
211/71, 74; 215/386, 392–394; 220/411,
412, 737, 740, 902, 903, 906, 907; 248/346.11,
311.2

FIG. 2 is a view in front elevation;

FIG. 3 is a view in right elevation;

FIG. 4 is a view in back elevation;

FIG. 5 is a view in left elevation;

FIG. 6 is a view in top plan;

FIG. 7 is a view in bottom plan; and,

FIG. 8 is a cross-sectional view thereof taken along line 8—8 of FIG. 3.

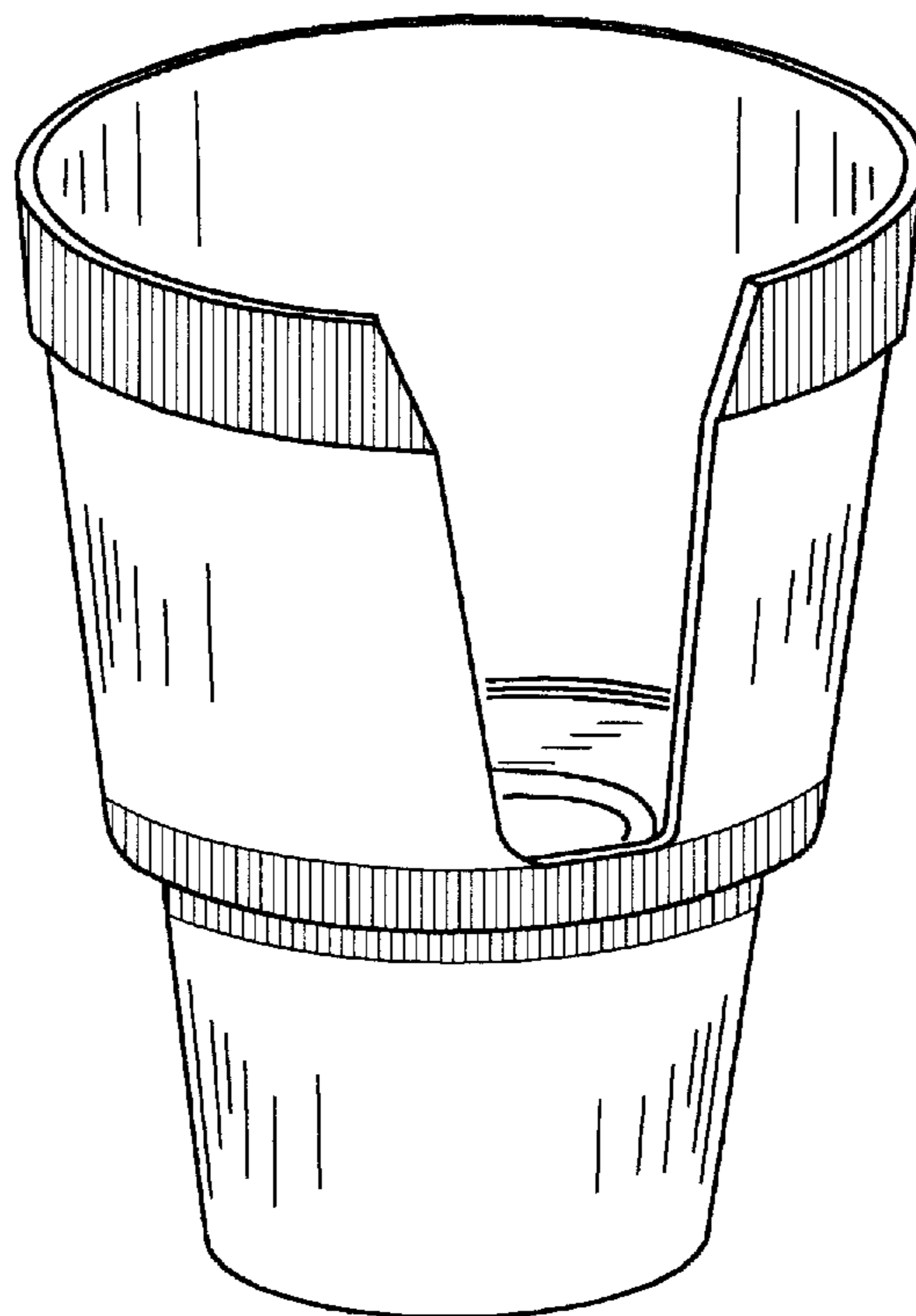
[56] **References Cited**

U.S. PATENT DOCUMENTS

- D. 332,891 2/1993 Cumberland D7/619
- D. 370,392 6/1996 Flanagan D7/619
- 5,088,673 2/1992 Chandler 248/311.2
- 5,174,534 12/1992 Mitchell 248/311.2

The rim and the junction area of the upper portion and lower portion are shaded to show a different texture from the rest of the holder.

1 Claim, 3 Drawing Sheets



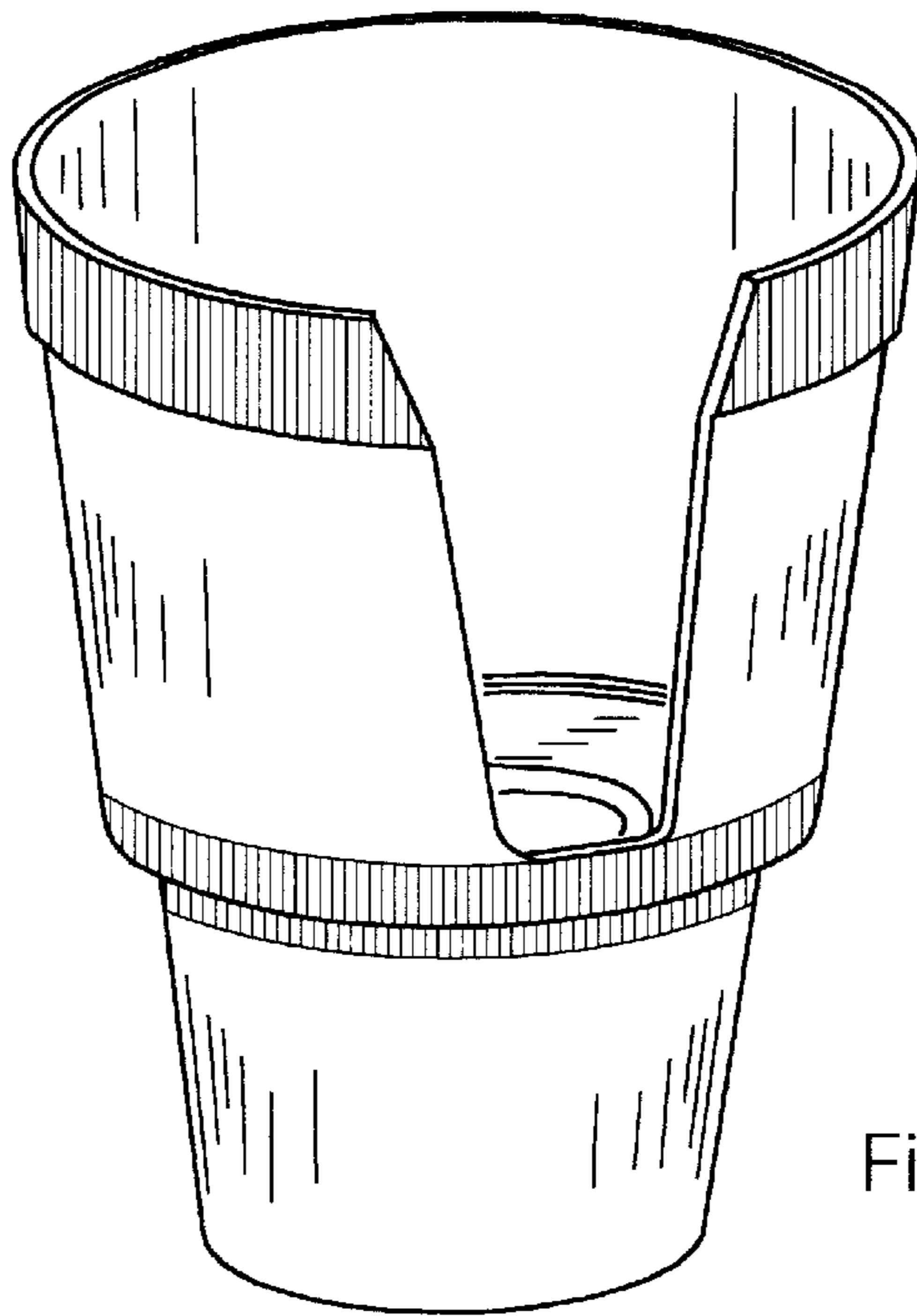


Fig. 1

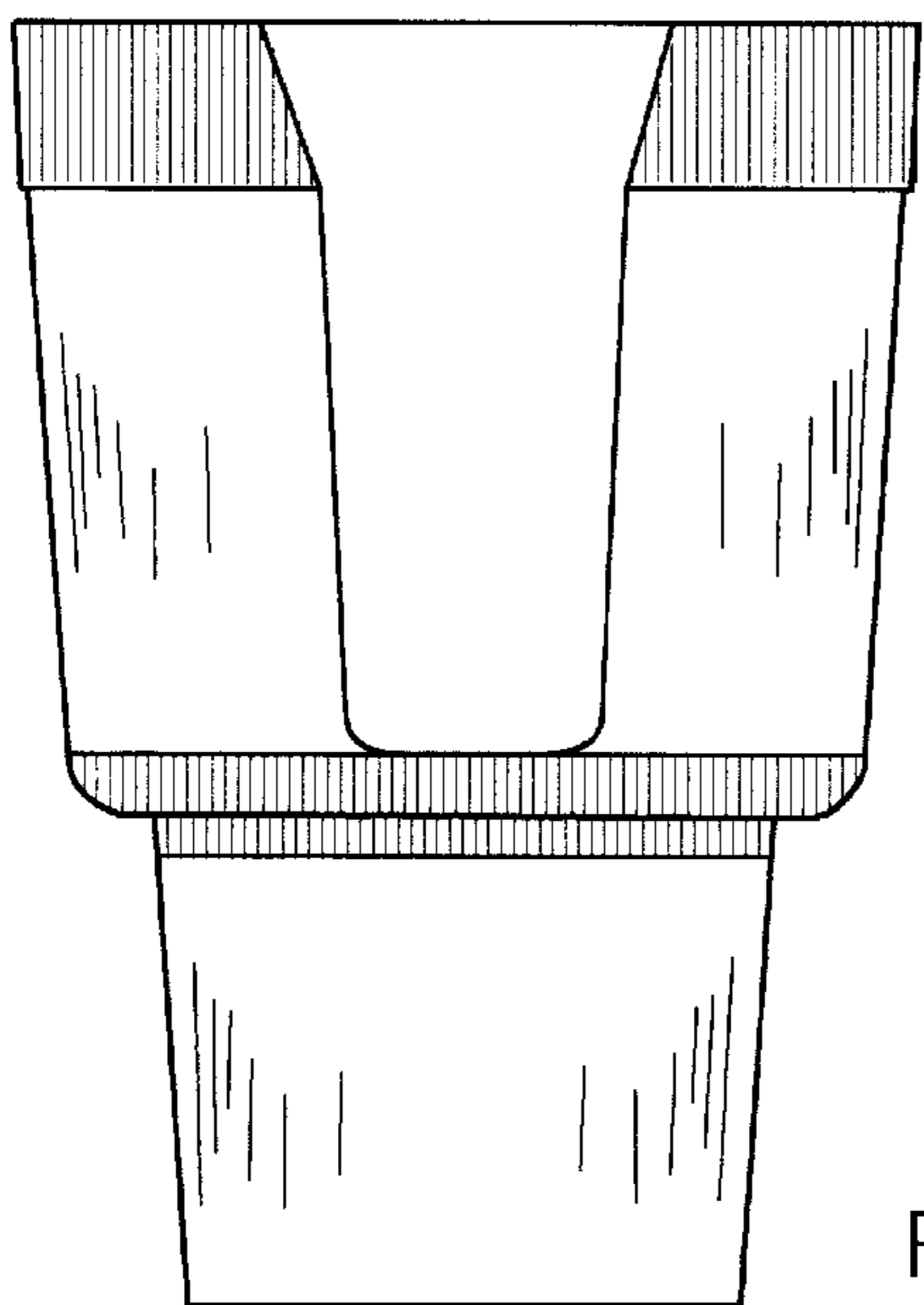


Fig. 2

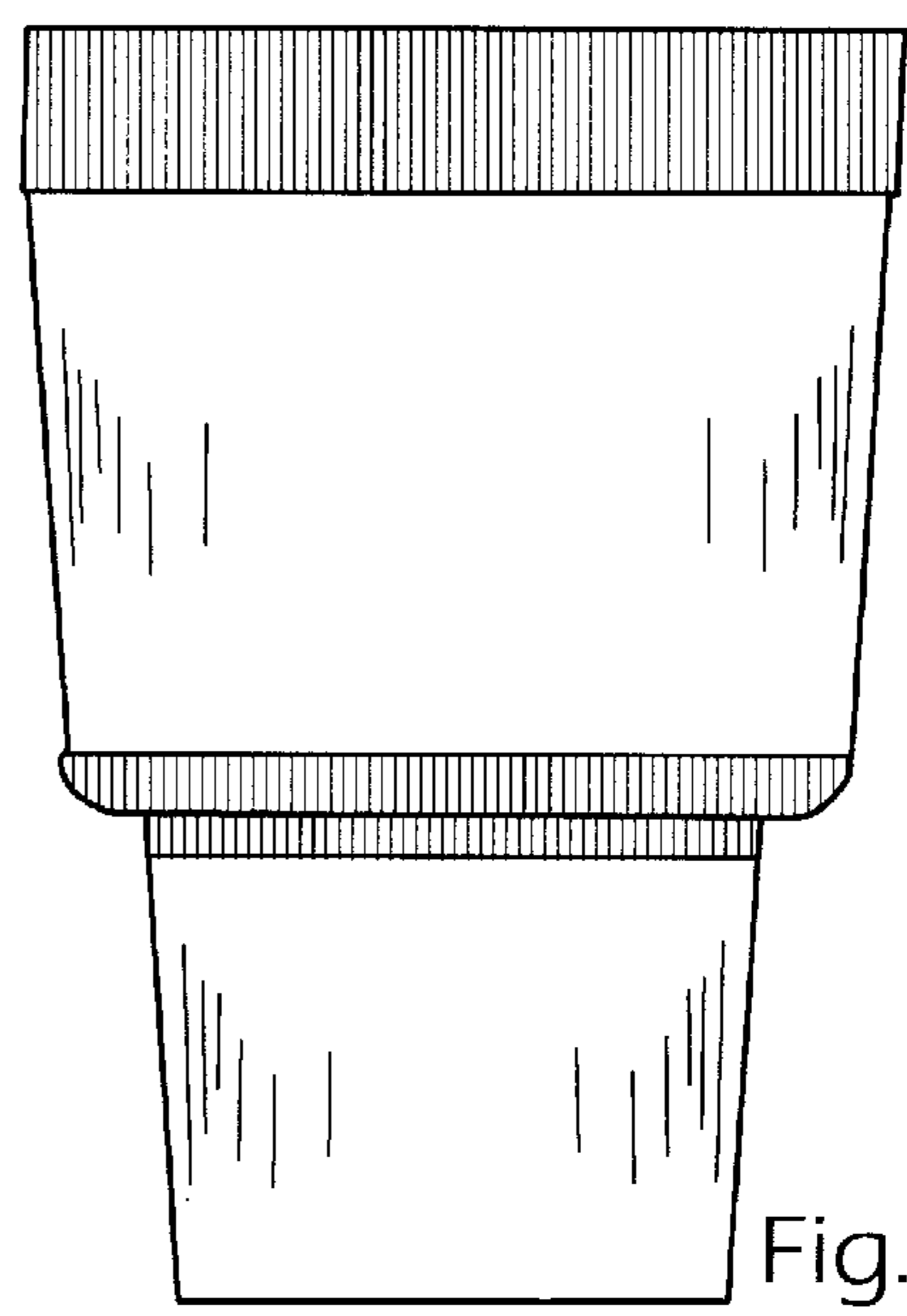


Fig. 3

8 ← |

8 ← |

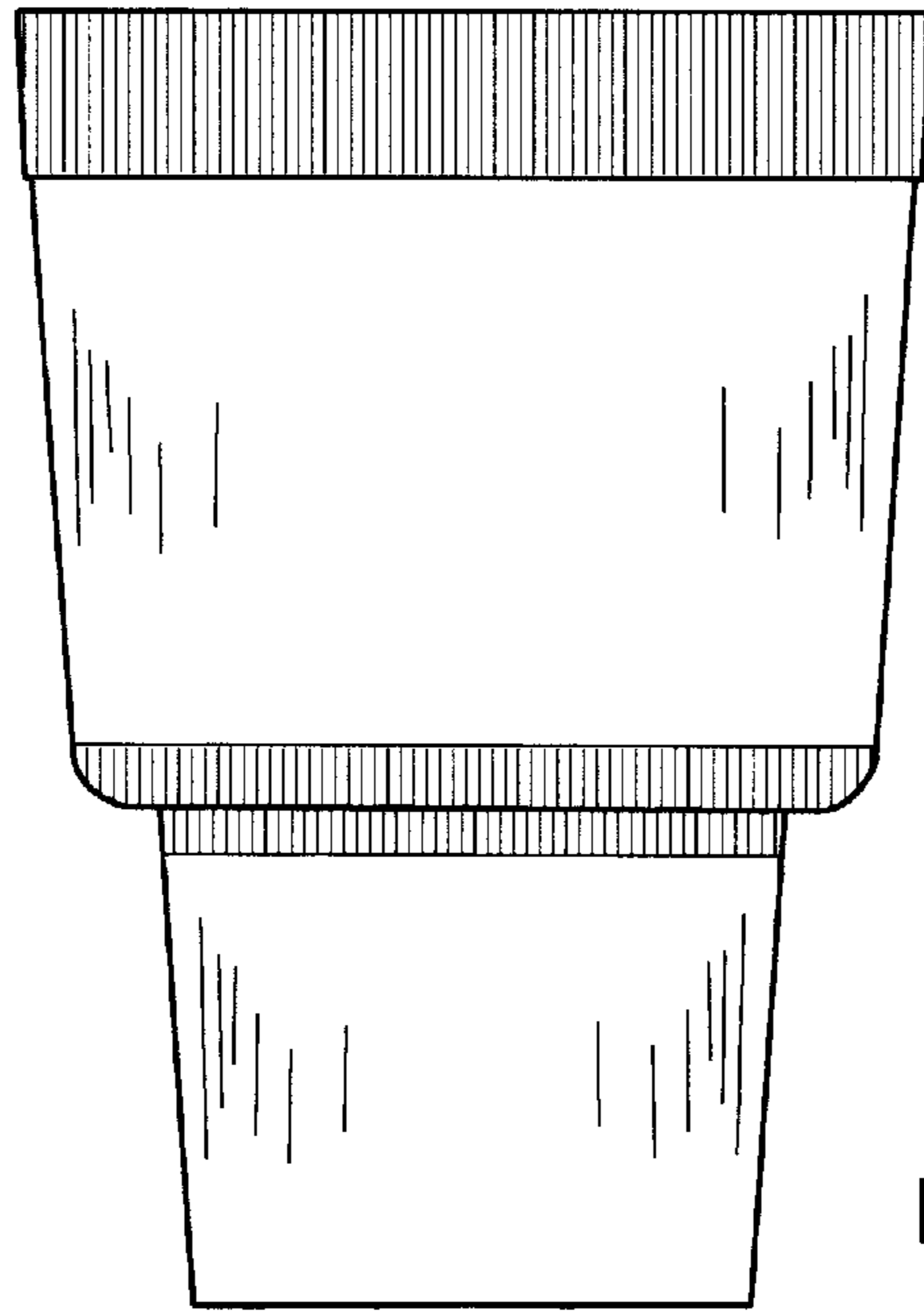


Fig. 4

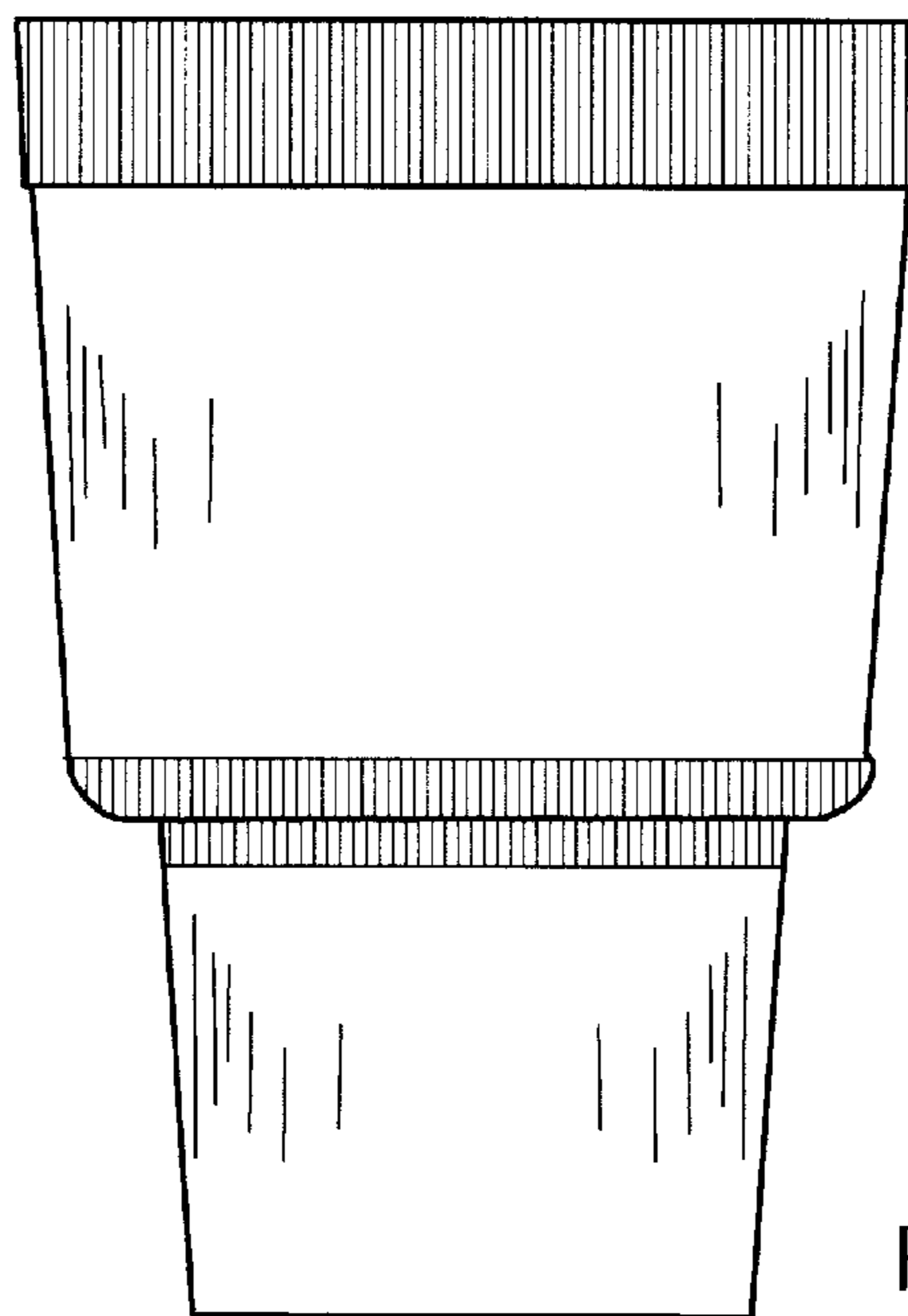


Fig. 5

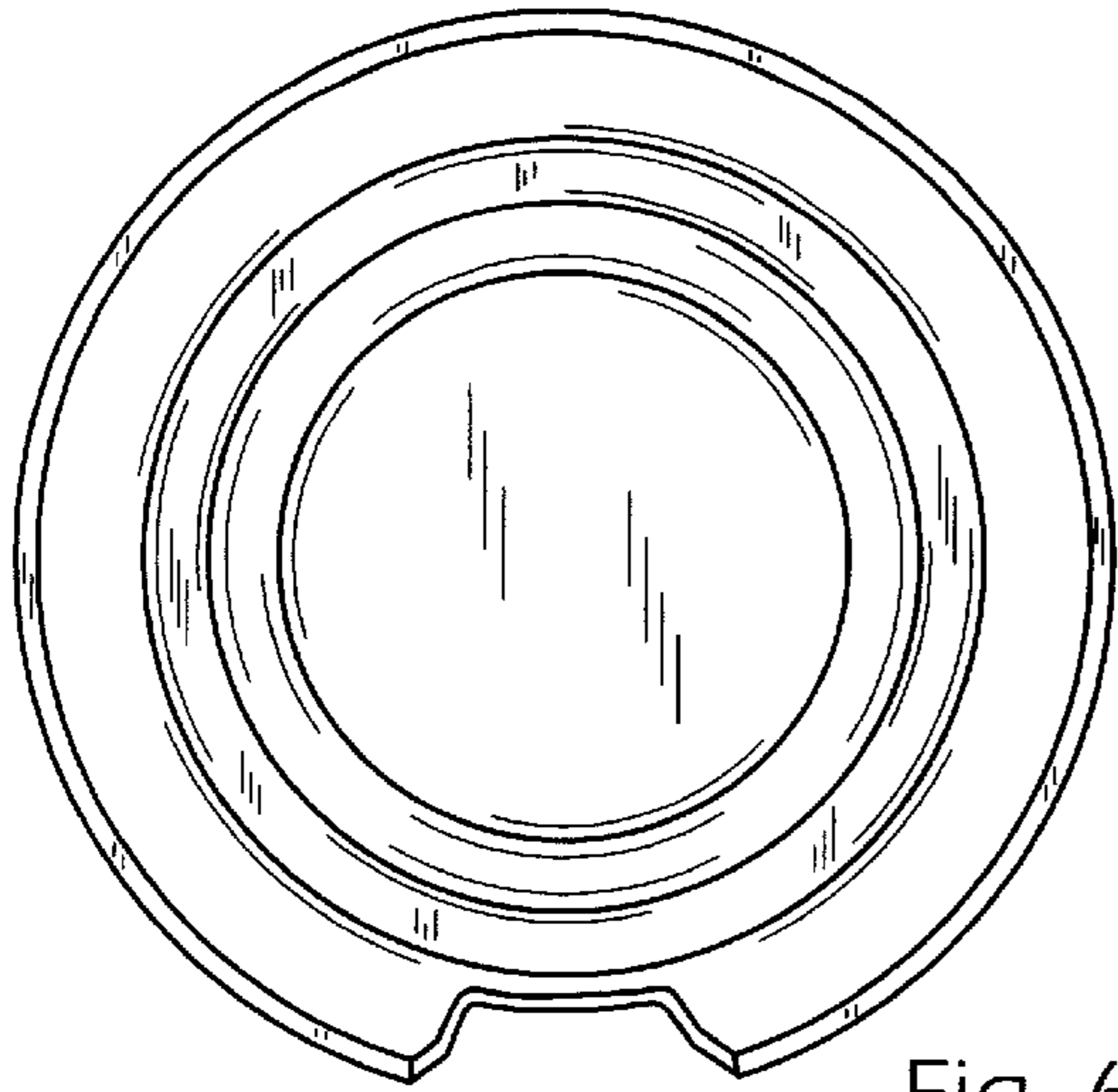


Fig. 6

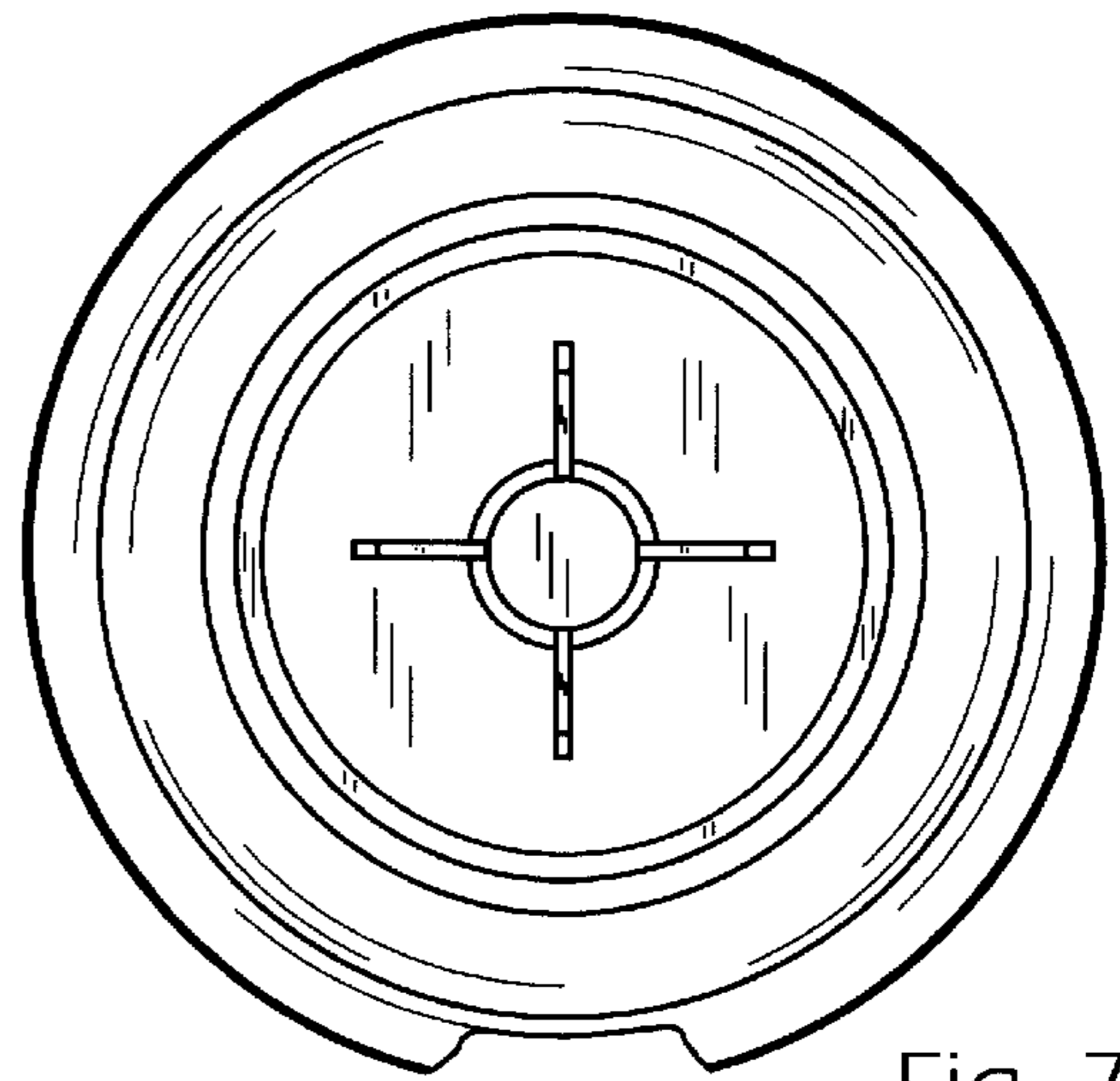


Fig. 7

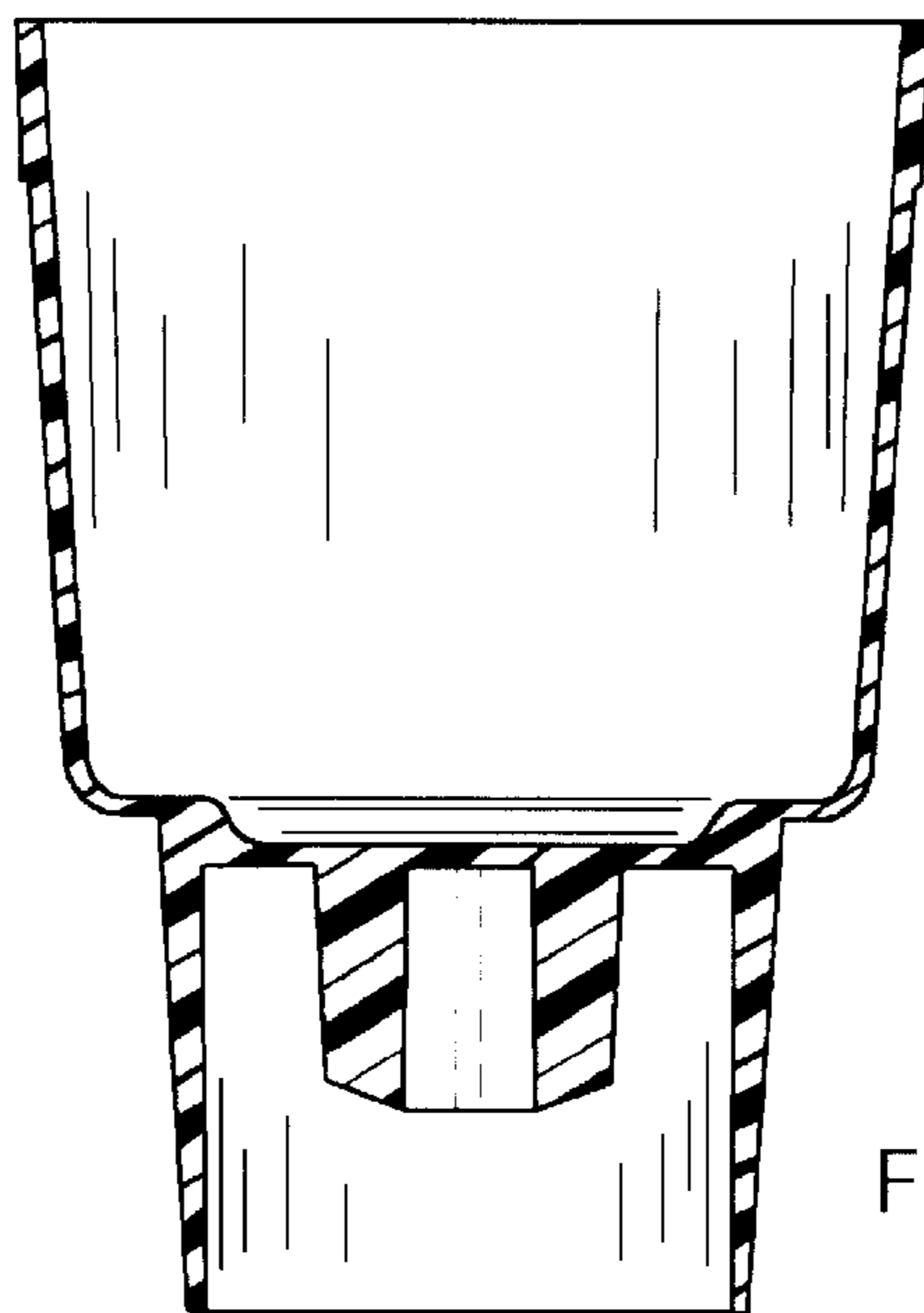


Fig. 8