



US00D397913S

United States Patent [19] Miliani

[11] **Patent Number: Des. 397,913**

[45] **Date of Patent: **Sep. 8, 1998**

[54] **ICE BALL DISPENSER**

[76] Inventor: **Rachid Miliani**, Kimwierde 363, 1353
Er Almere, Netherlands

[**] Term: **14 Years**

[21] Appl. No.: **67,822**

[22] Filed: **Mar. 14, 1997**

[51] **LOC (6) Cl.** **07-06**

[52] **U.S. Cl.** **D7/589**

[58] **Field of Search** D7/589, 590, 603,
D7/604; D20/1, 7; 221/150 R, 263-266,
282, 203; 222/185.1, 450

[56] **References Cited**

U.S. PATENT DOCUMENTS

D. 275,829 10/1984 Starke D7/589
5,429,269 7/1995 Mejias 221/150 R

Primary Examiner—Terry A. Wallace
Attorney, Agent, or Firm—Hill & Simpson

[57] **CLAIM**

The ornamental design for an ice ball dispenser, as shown and described.

DESCRIPTION

FIG. 1 is a front, side and top perspective view of an ice ball dispenser showing my new design;
FIG. 2 is a front perspective view thereof;
FIG. 3 is a top plan view thereof;
FIG. 4 is a bottom plan view thereof;
FIG. 5 is a back elevational view thereof;
FIG. 6 is a side elevational view of one side, the opposite side being a mirror image; and,
FIG. 7 is a front elevational view thereof.

1 Claim, 2 Drawing Sheets

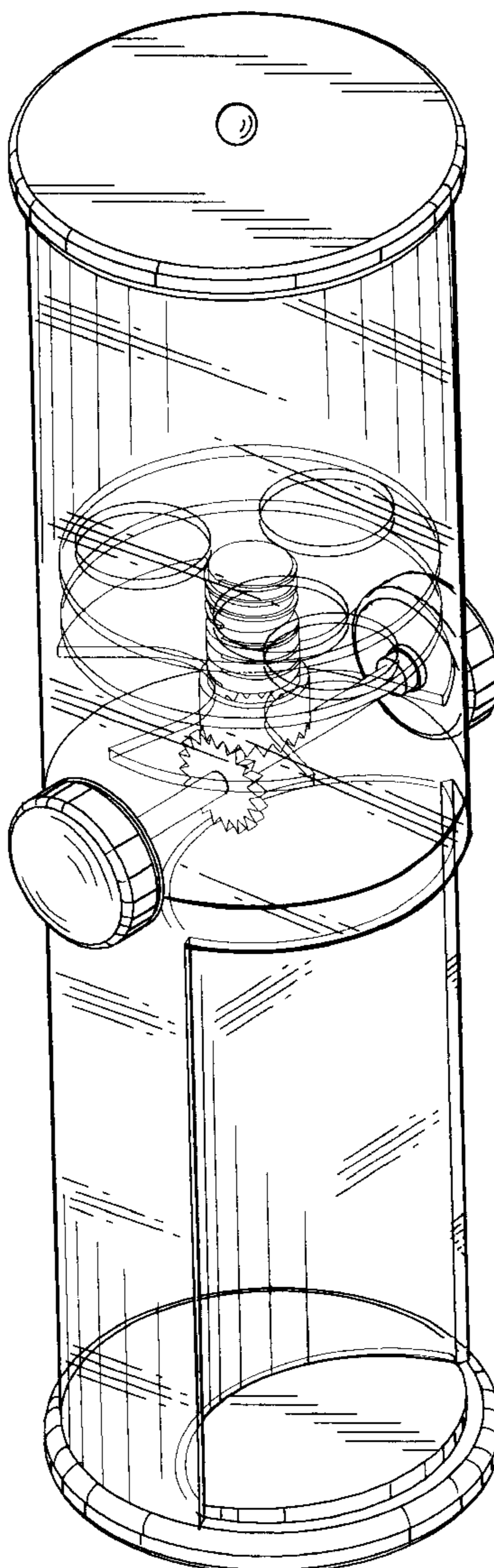


FIG. 1

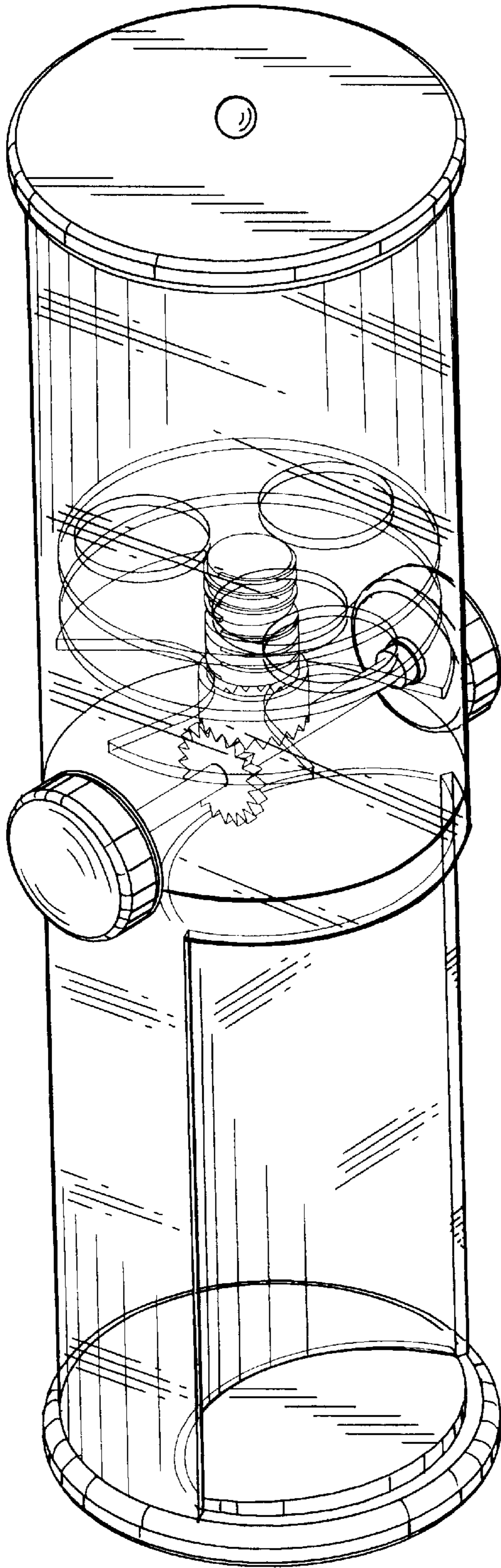


FIG. 2

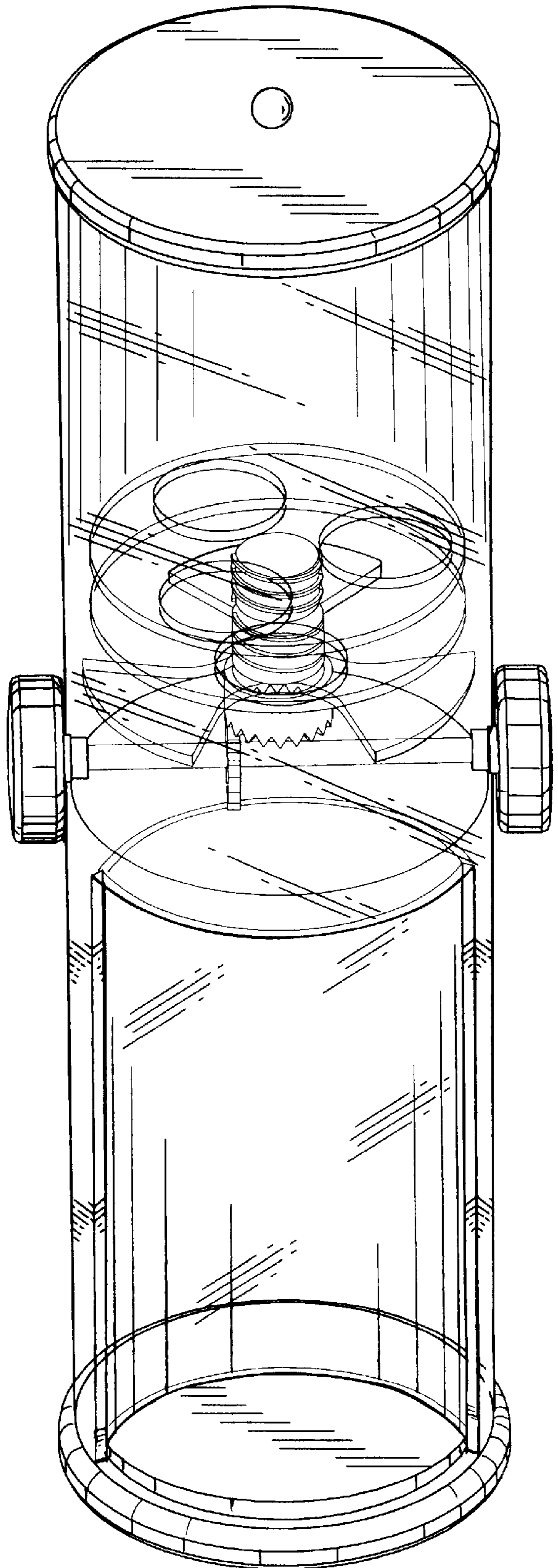


FIG. 3

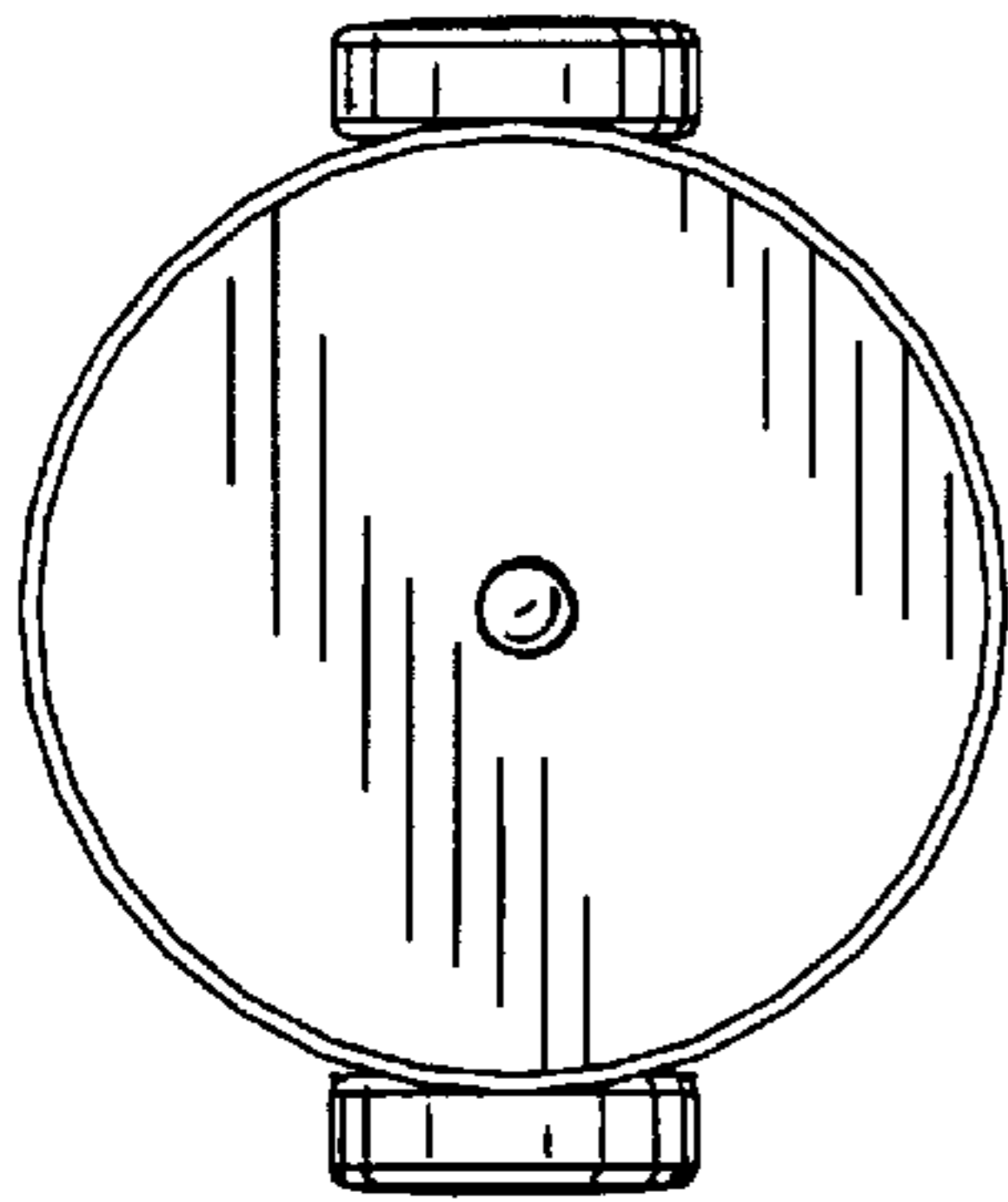


FIG. 4

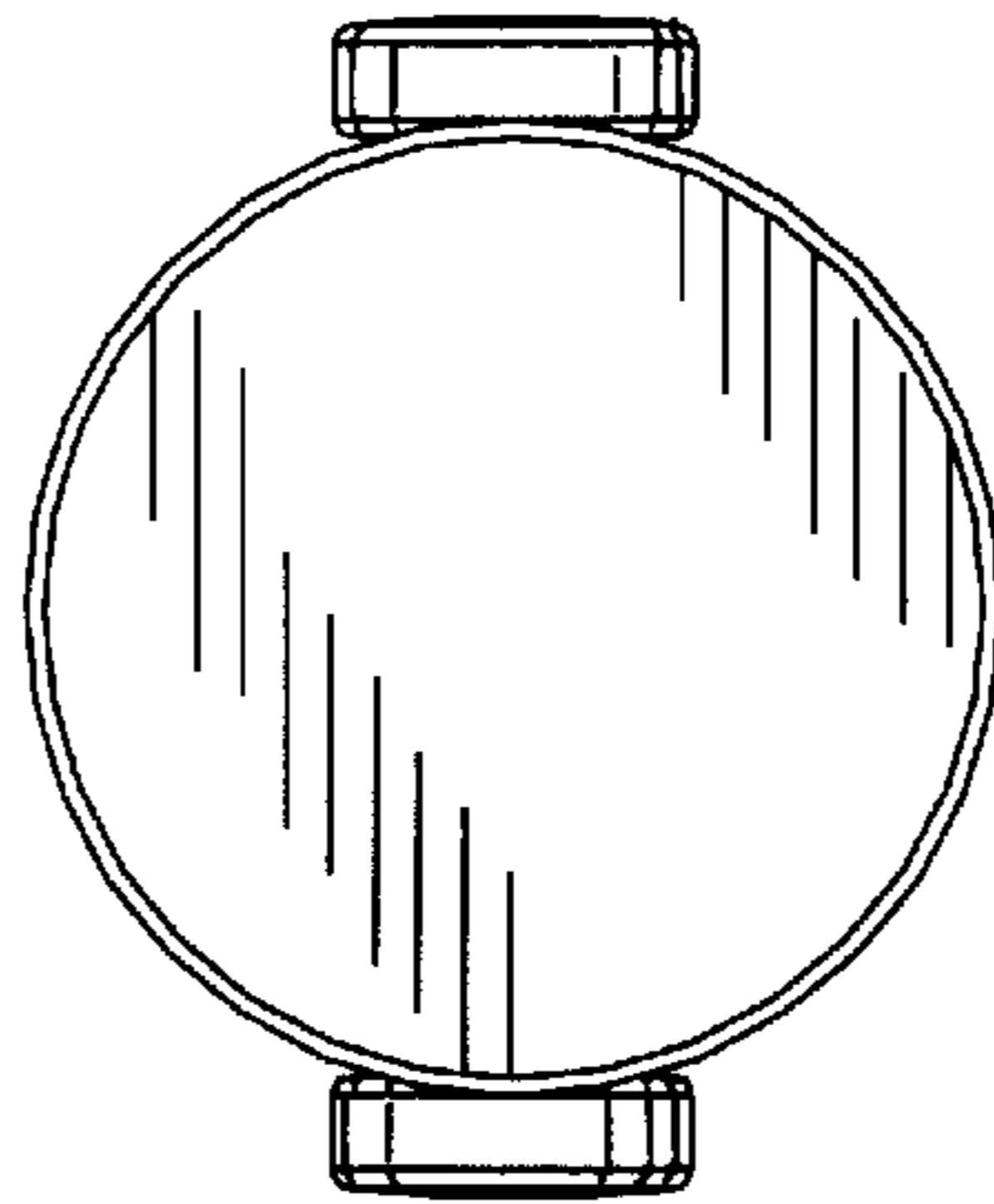


FIG. 5

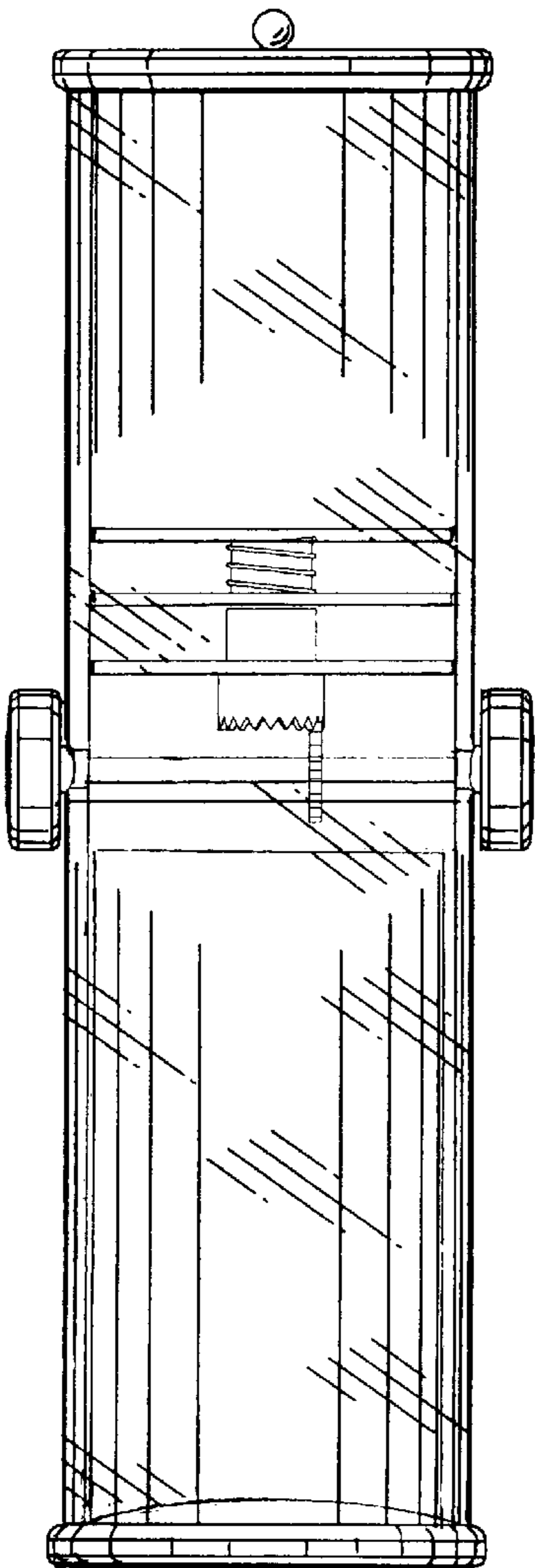


FIG. 6

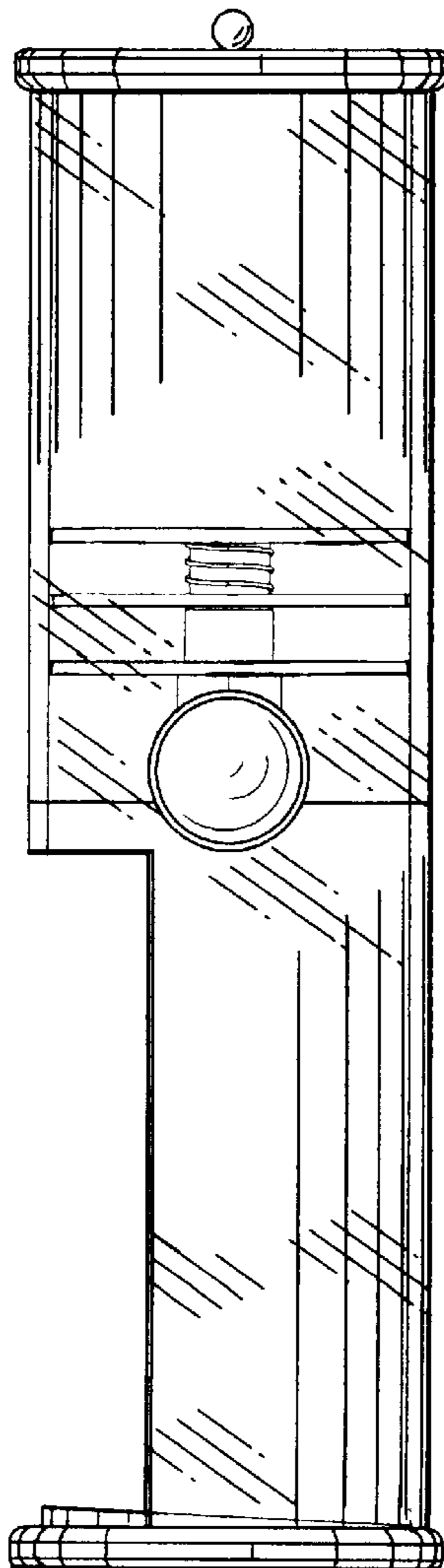


FIG. 7

