



US00D397912S

**United States Patent** [19]  
**Goessling, Jr.**

[11] **Patent Number: Des. 397,912**  
[45] **Date of Patent: \*\*Sep. 8, 1998**

[54] **BEVERAGE MUG**

[75] Inventor: **John G. Goessling, Jr.**, County of St. Louis, Mo.

[73] Assignee: **Quick Point, Inc.**, Fenton, Mo.

[\*\*] Term: **14 Years**

[21] Appl. No.: **71,206**

[22] Filed: **May 23, 1997**

[51] **LOC (6) Cl.** ..... **07-01**

[52] **U.S. Cl.** ..... **D7/536; D7/532**

[58] **Field of Search** ..... D7/507, 509, 510, D7/511, 513, 515, 523, 524, 527, 532, 533, 536, 537, 622; 270/703, 705, 717, 709, 713, 737, 739, 625

[56] **References Cited**

**U.S. PATENT DOCUMENTS**

D. 155,289	9/1949	Hoople	.....	D7/536
D. 196,598	10/1963	Lewis	.....	D7/536
D. 231,068	4/1974	Douglas	.....	D7/533
D. 285,637	9/1986	Zieff et al.	.....	D7/536
D. 307,089	4/1990	Lage	.....	D7/536
D. 317,696	6/1991	Lage	.....	D7/536

D. 331,684	12/1992	Trombley	.....	D7/536
D. 346,933	5/1994	Denny et al.	.....	D7/533 X
D. 362,369	9/1995	Bridges	.....	D7/533 X
D. 364,319	11/1995	Schaepi	.....	D7/533 X
D. 369,063	4/1996	Meisner	.....	D7/511 X
D. 373,051	8/1996	Kramer et al.	.....	D7/536
D. 378,263	3/1997	Lage	.....	D7/536
D. 378,264	3/1997	Lage	.....	D7/536
D. 382,173	8/1997	Cogswell	.....	D7/533 X
D. 382,174	8/1997	Grimm	.....	D7/510

*Primary Examiner*—M. N. Pandozzi  
*Attorney, Agent, or Firm*—Polster, Lieder, Woodruff & Lucchesi, L.C.

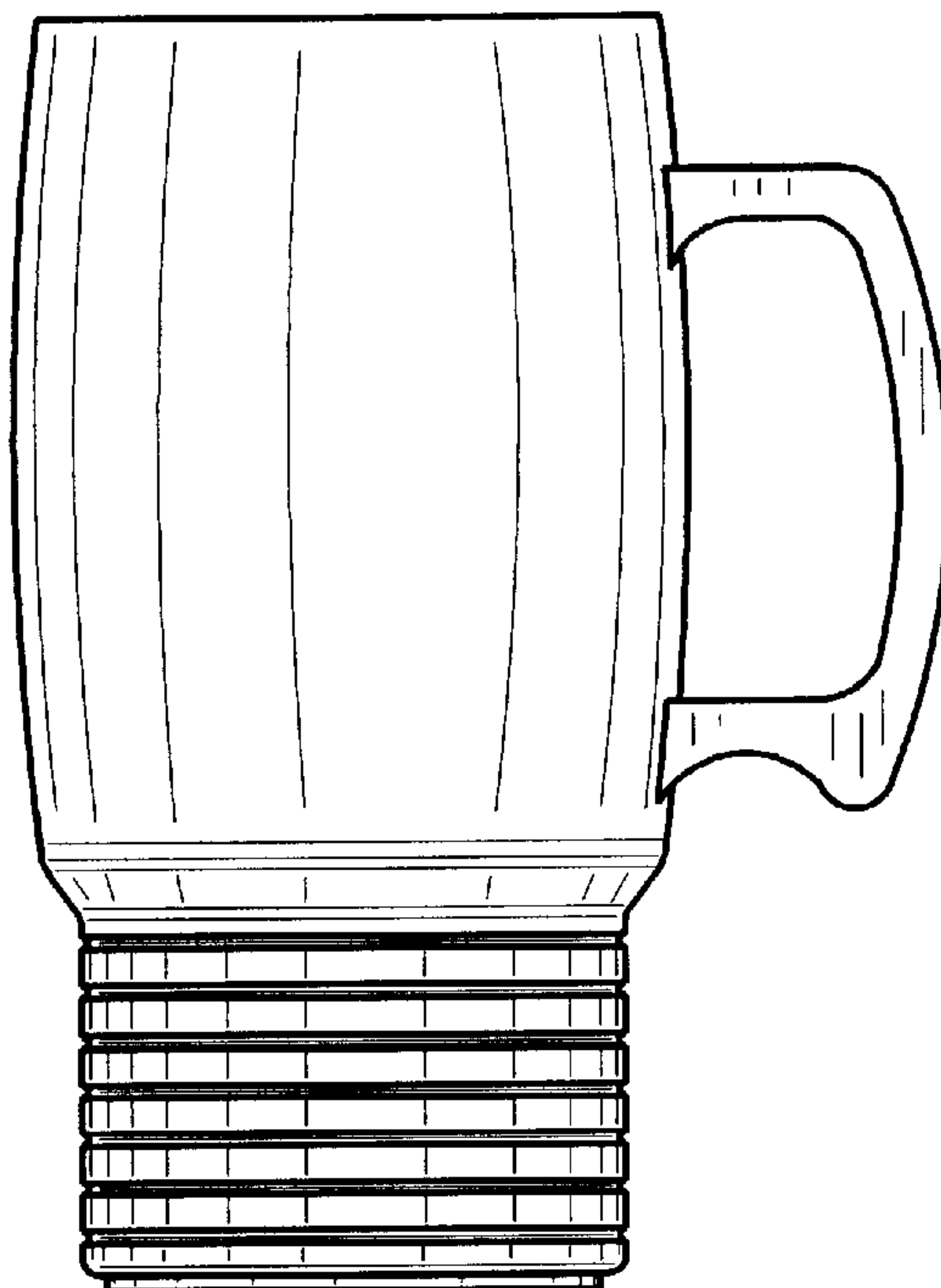
[57] **CLAIM**

The ornamental design for beverage mug, as shown and described.

**DESCRIPTION**

FIG. 1 is a top and front perspective view showing the beverage mug of the new design;  
FIG. 2 is a front elevational view thereof;  
FIG. 3 is a left side elevational view thereof;  
FIG. 4 is a right side elevational view thereof;  
FIG. 5 is a top plan view thereof; and,  
FIG. 6 is a bottom view thereof.

**1 Claim, 2 Drawing Sheets**



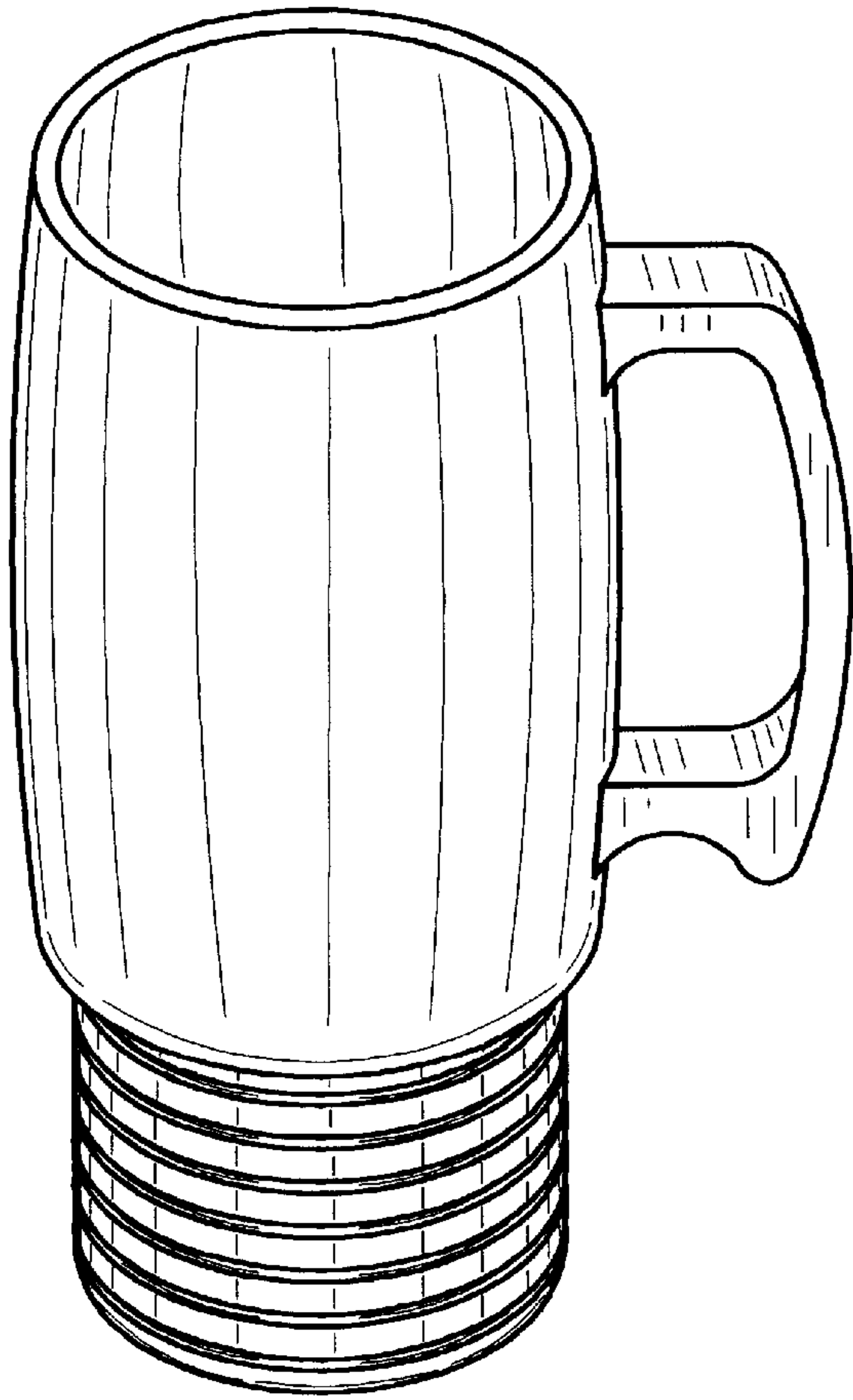


FIG. 1

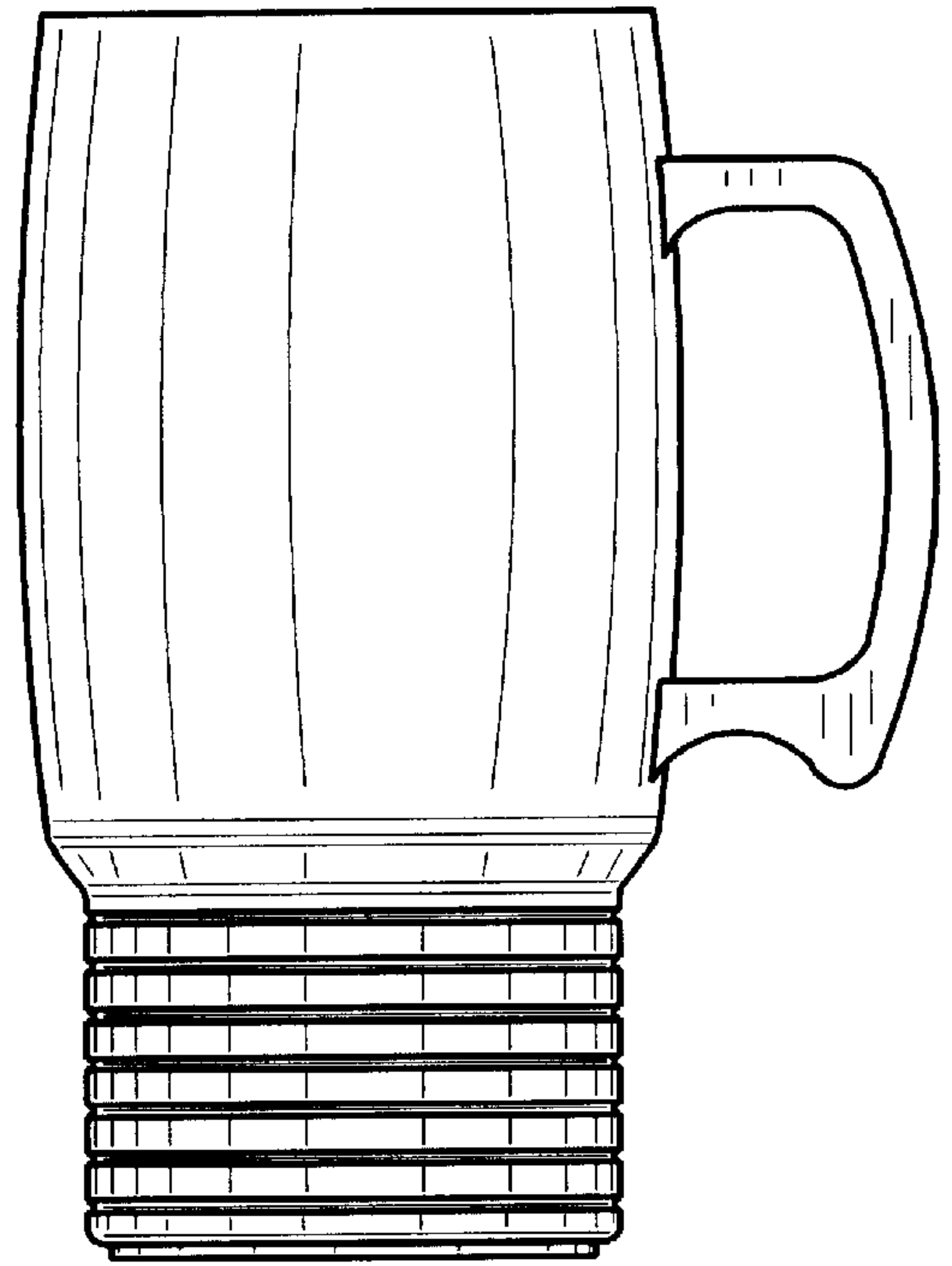


FIG. 2

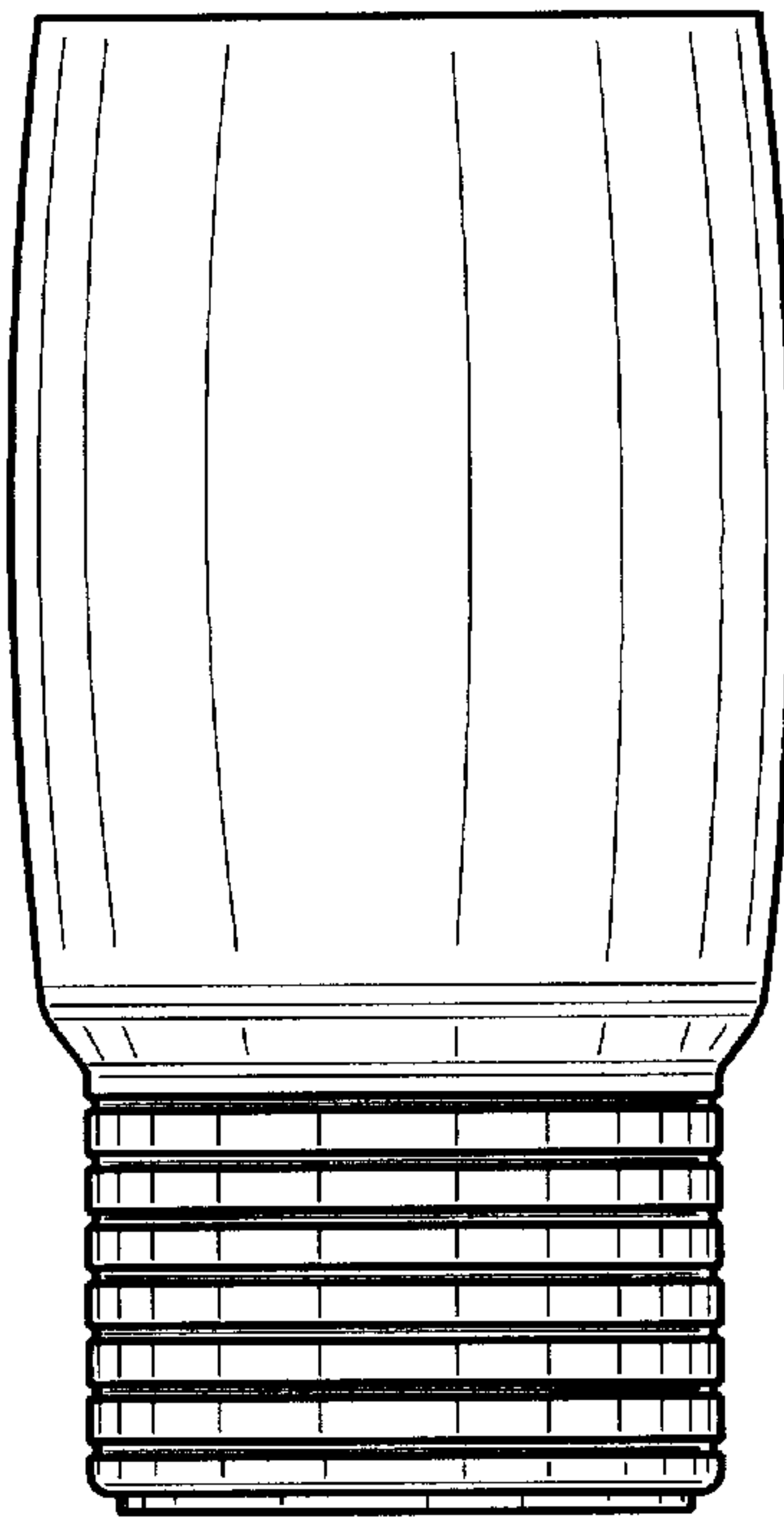


FIG. 3

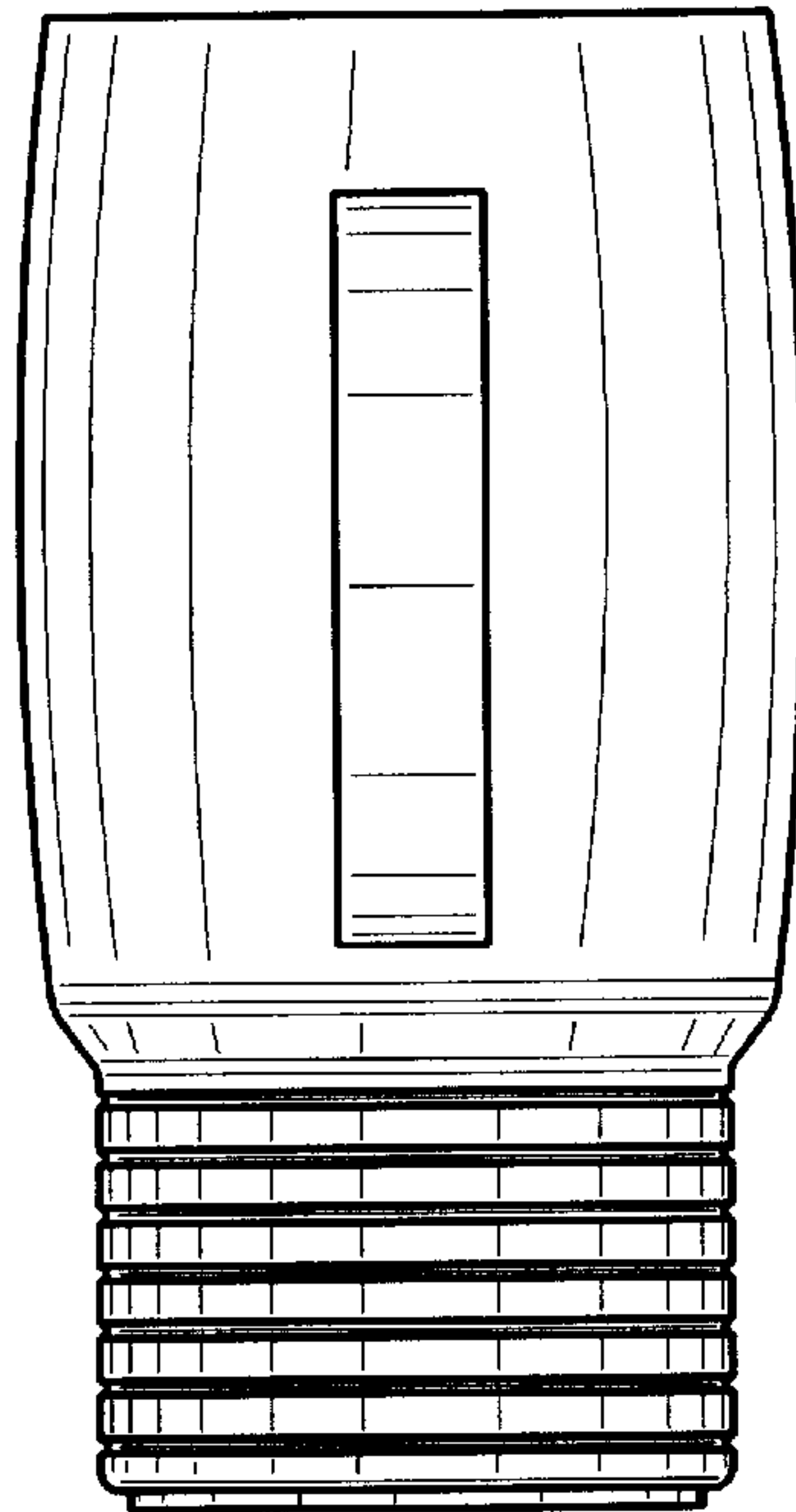


FIG. 4

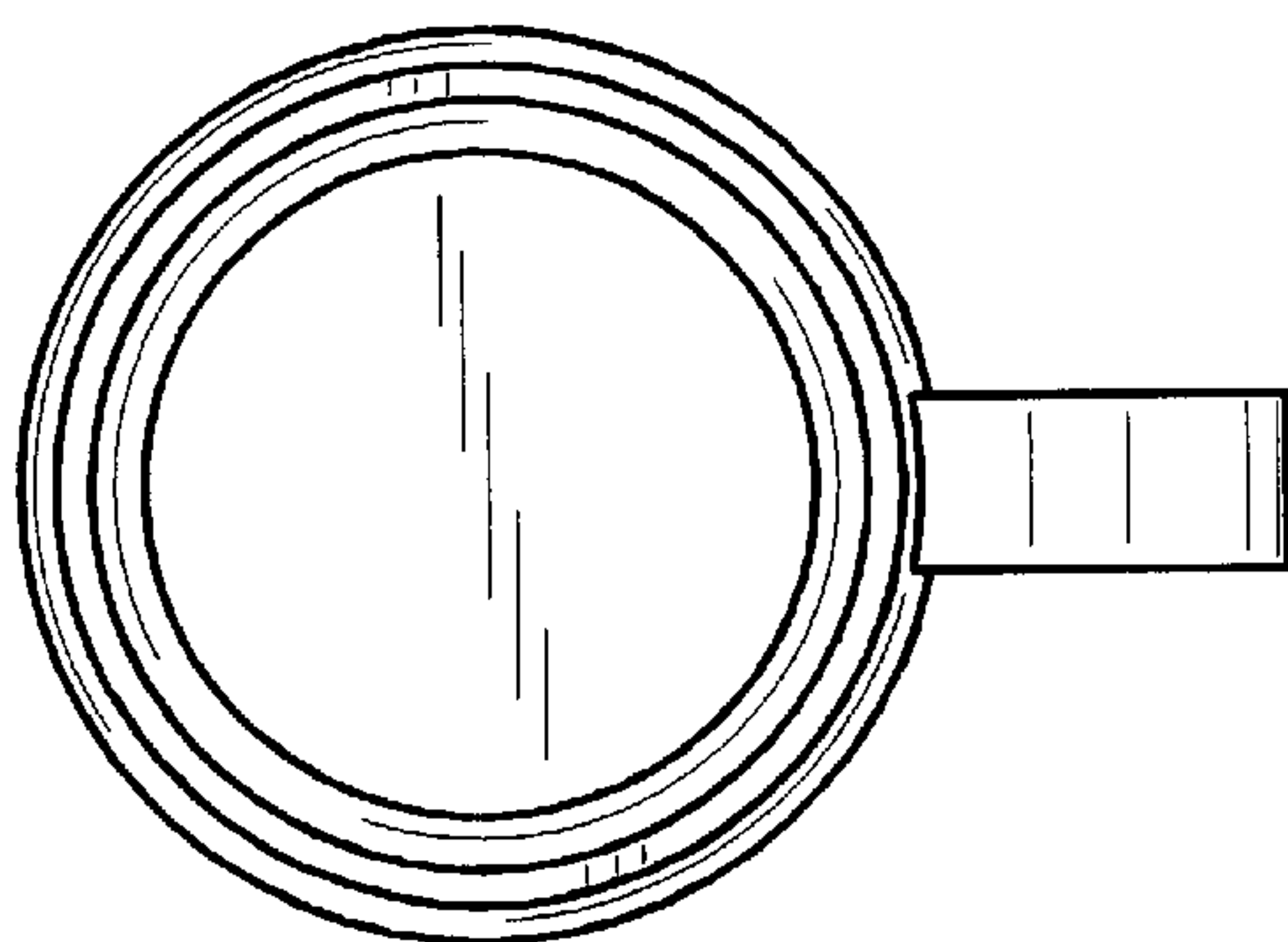


FIG. 5

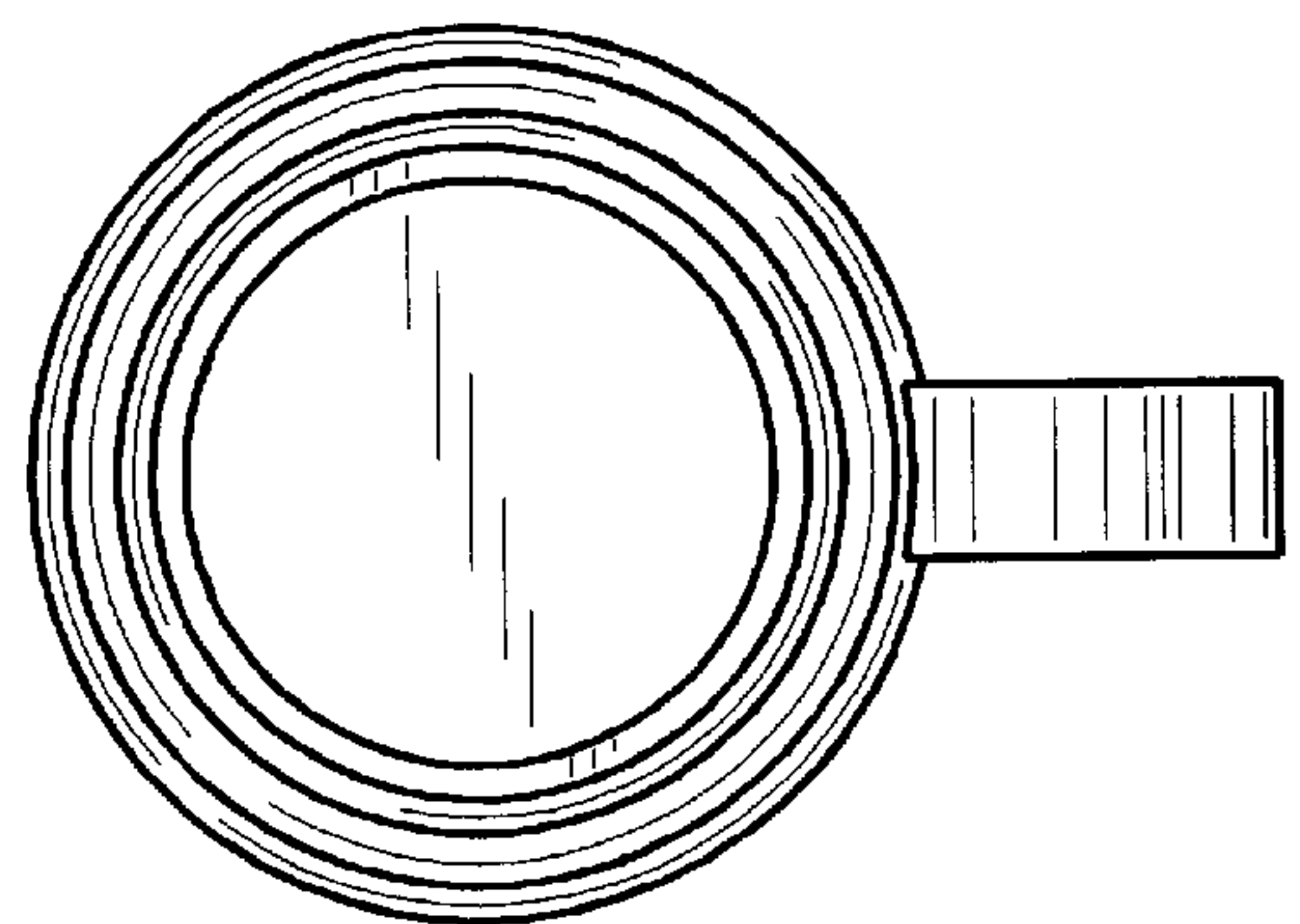


FIG. 6