



US00D397911S

United States Patent [19] Waldmann

[11] **Patent Number: Des. 397,911**
[45] **Date of Patent: **Sep. 8, 1998**

[54] **COMBINED BEVERAGE AND SNACK
HOLDER**

[76] Inventor: **Herbert Waldmann**, 460 E. 79th St.,
New York, N.Y. 10021

[**] Term: **14 Years**

[21] Appl. No.: **79,435**

[22] Filed: **Nov. 17, 1997**

[51] **LOC (6) Cl. 07-01**

[52] **U.S. Cl. D7/507; D7/505; D7/347;
D7/513; D9/337**

[58] **Field of Search D7/503, 505, 507,
D7/509, 510, 523, 513, 532; 220/23.83,
669; 215/1 A; D9/337, 518, 347**

[56] **References Cited**

U.S. PATENT DOCUMENTS

D. 297,799	9/1988	Hammer	D7/507
D. 303,194	9/1989	Darby et al.	D7/3
D. 318,427	7/1991	Sherburne, Jr.	215/1 A
D. 324,973	3/1992	Stagerman	D9/337 X
D. 355,735	2/1995	Shaffer et al.	D9/347 X
D. 362,801	10/1995	Milroy	D9/347
2,375,643	5/1945	Sermanotta	D7/507 X
2,920,804	1/1960	Minton	D7/505 X
4,027,779	6/1977	De Long	D7/507 X
4,491,220	1/1985	Daviss	206/217

4,823,958	4/1989	Mahmud	D7/507 X
5,085,330	2/1992	Paulin	215/6
5,180,079	1/1993	Jeng	220/705
5,310,072	5/1994	Matusovsky et al.	220/23.83
5,346,095	9/1994	Deal	220/669
5,388,729	2/1995	Gerringer	222/130
5,573,133	11/1996	Park	D9/518 X
5,647,499	7/1997	Piazza	D9/518 X

Primary Examiner—M. N. Pandozzi
Attorney, Agent, or Firm—Goldstein & Associates

[57] **CLAIM**

The ornamental design for a combined beverage and snack holder, as shown and described.

DESCRIPTION

FIG. 1 is a front right perspective view of a combined beverage and snack holder showing my new design; FIG. 2 is a front elevational view thereof; FIG. 3 is a rear elevational view thereof; FIG. 4 is a left side elevational view thereof; FIG. 5 is a right side elevational view thereof; FIG. 6 is a top plan view thereof; and, FIG. 7 is a bottom plan view thereof. The broken line showing of a straw, snacks, and a hand is for illustrative purposes only and forms no part of the claimed design.

1 Claim, 6 Drawing Sheets

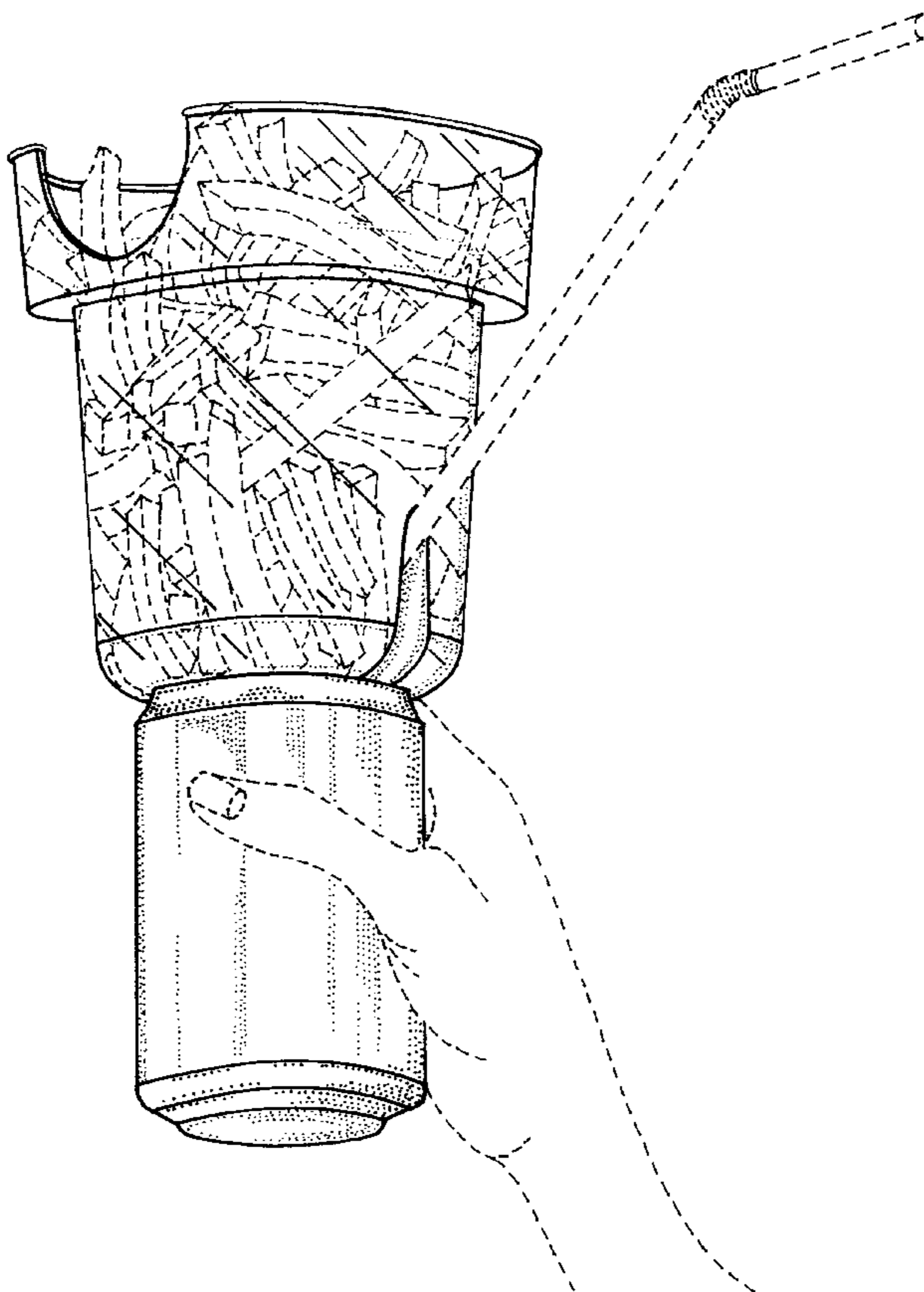


FIG. 1

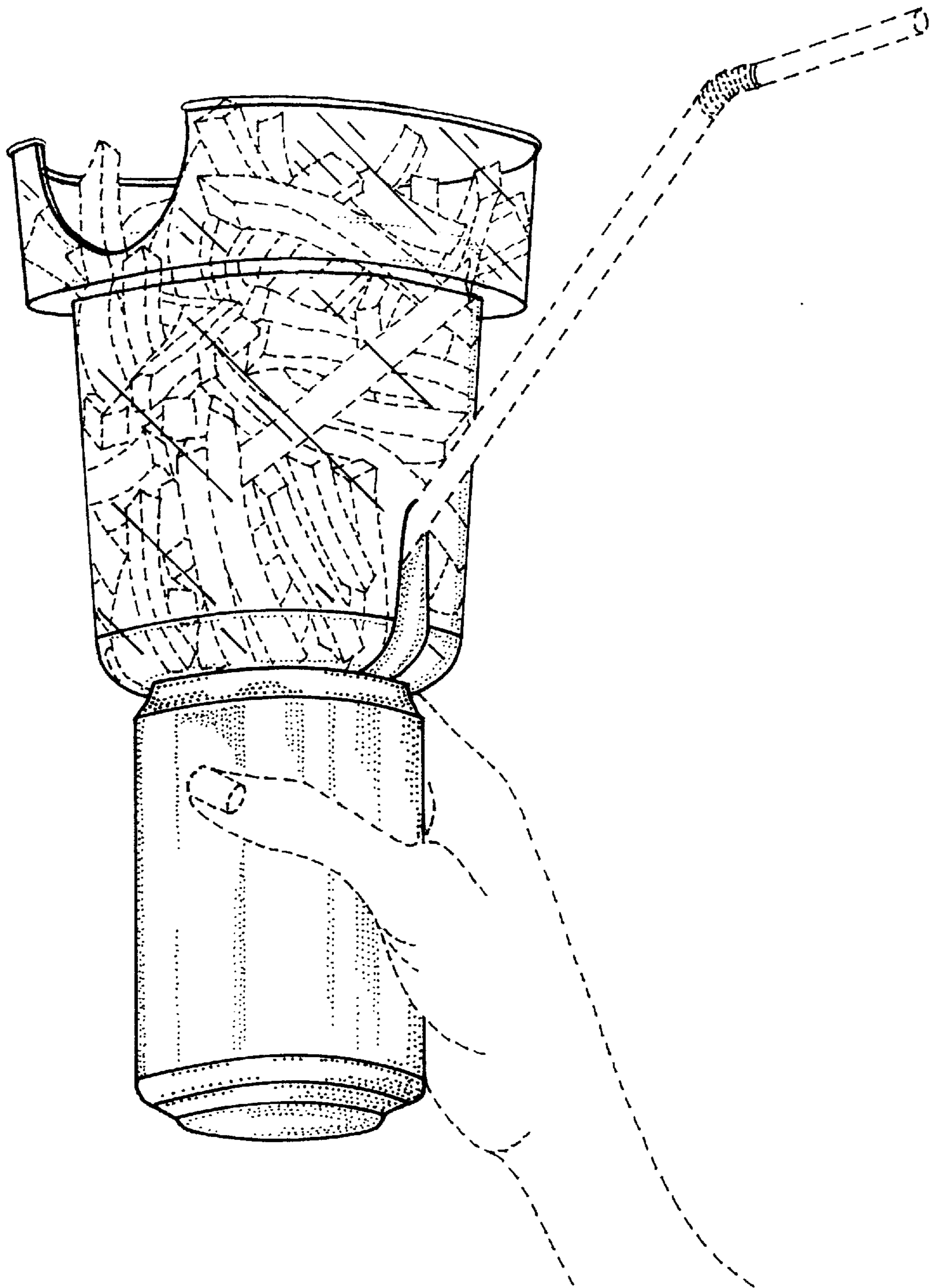


FIG. 2

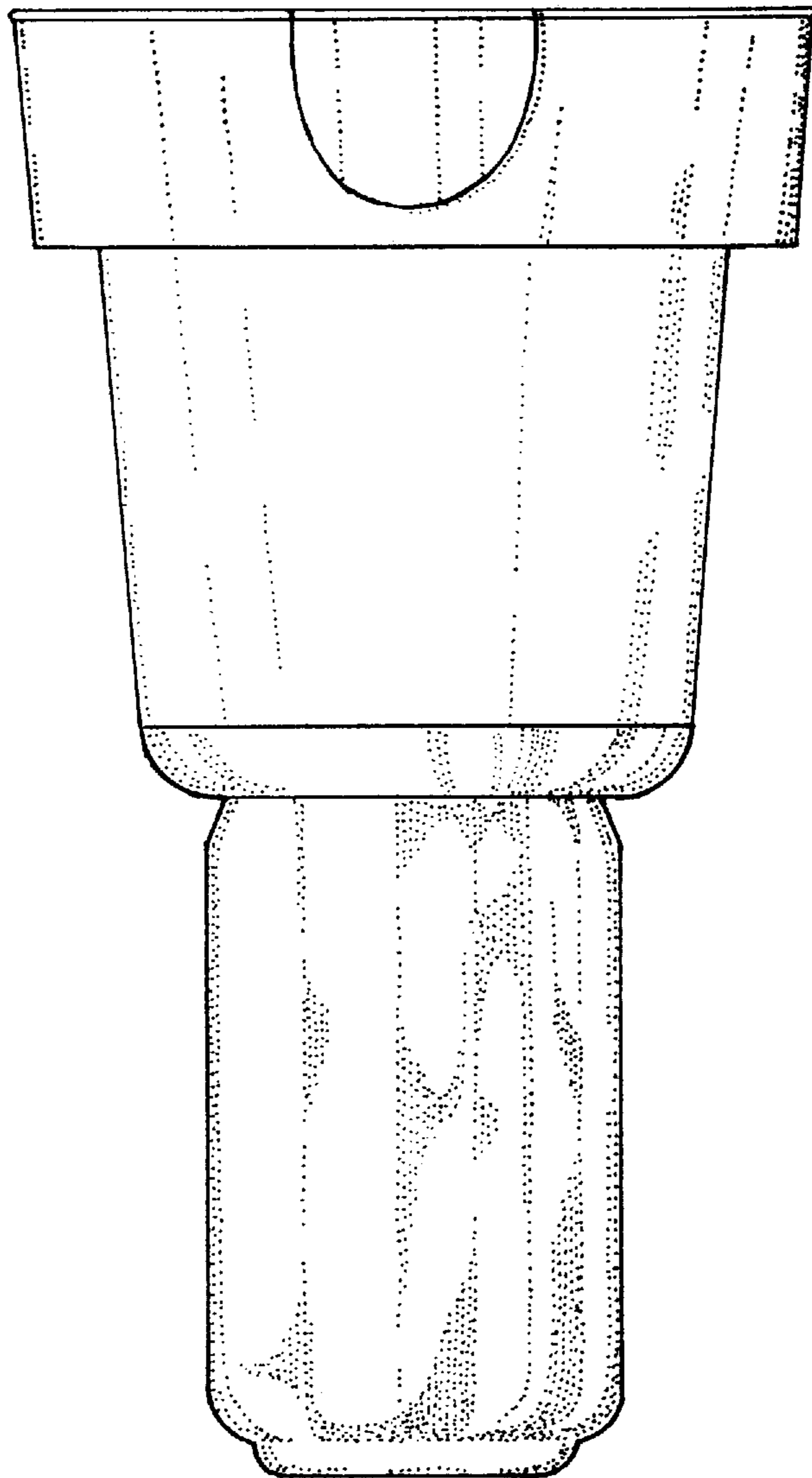


FIG. 3

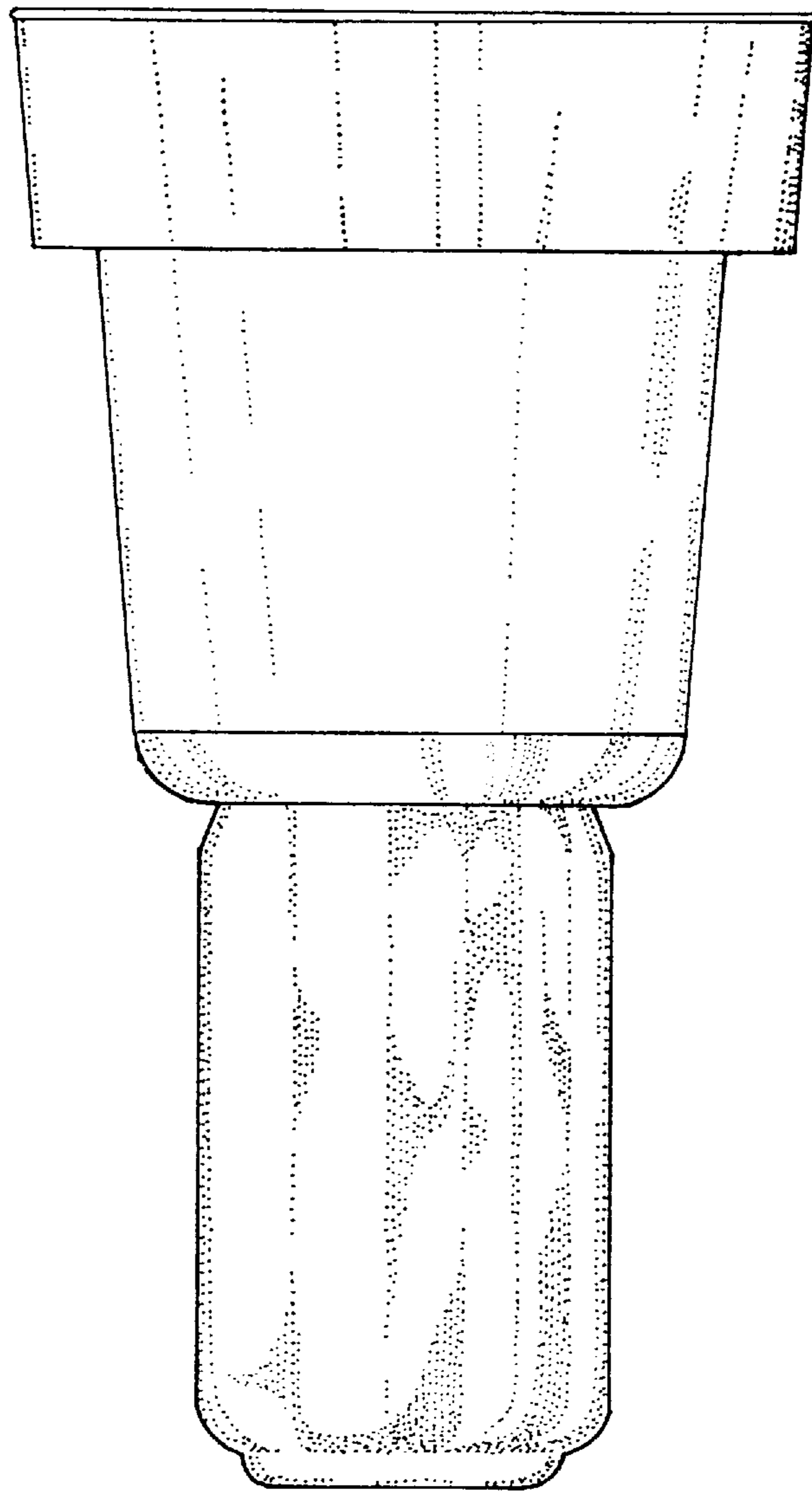


FIG. 4

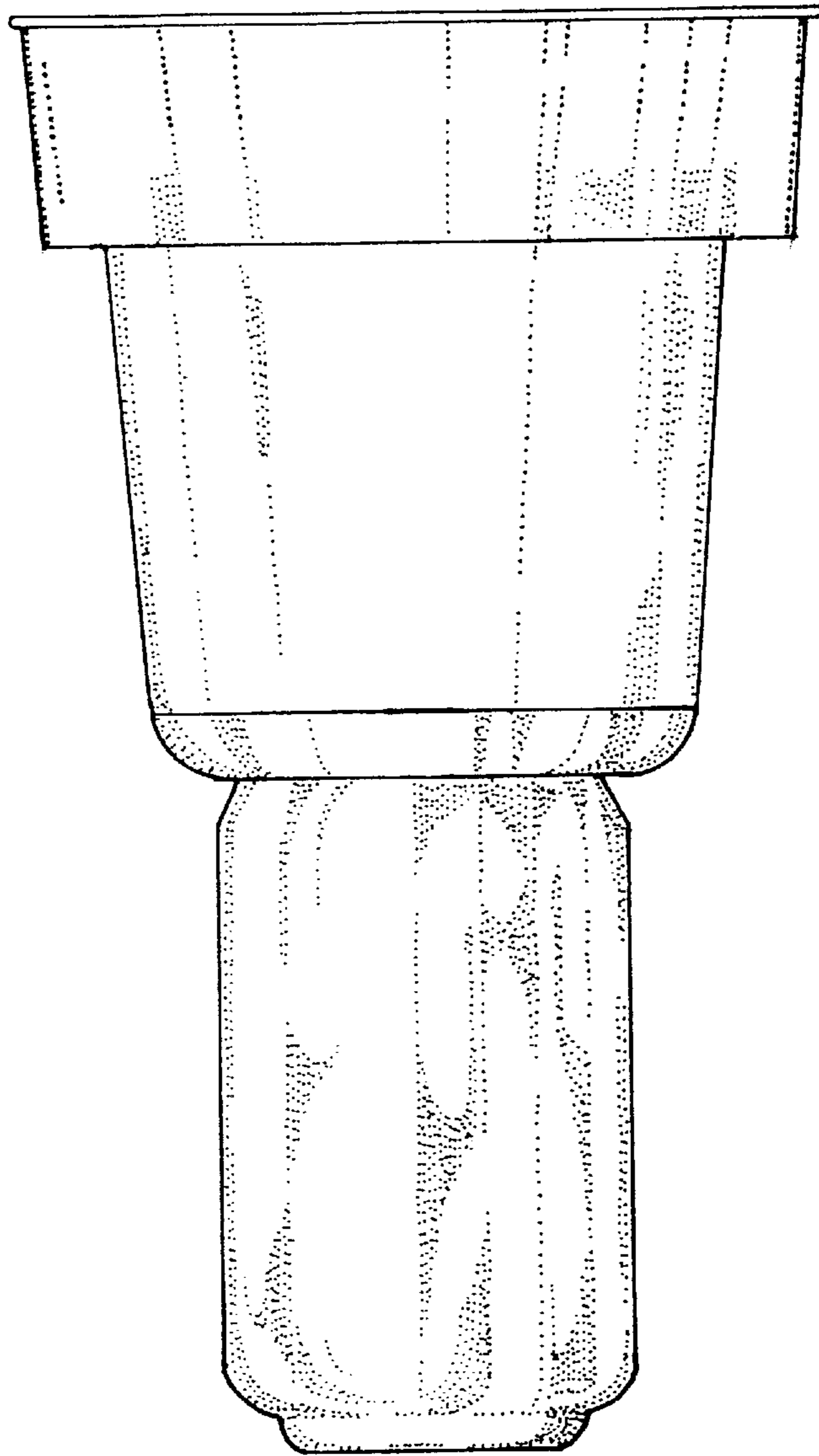


FIG. 5

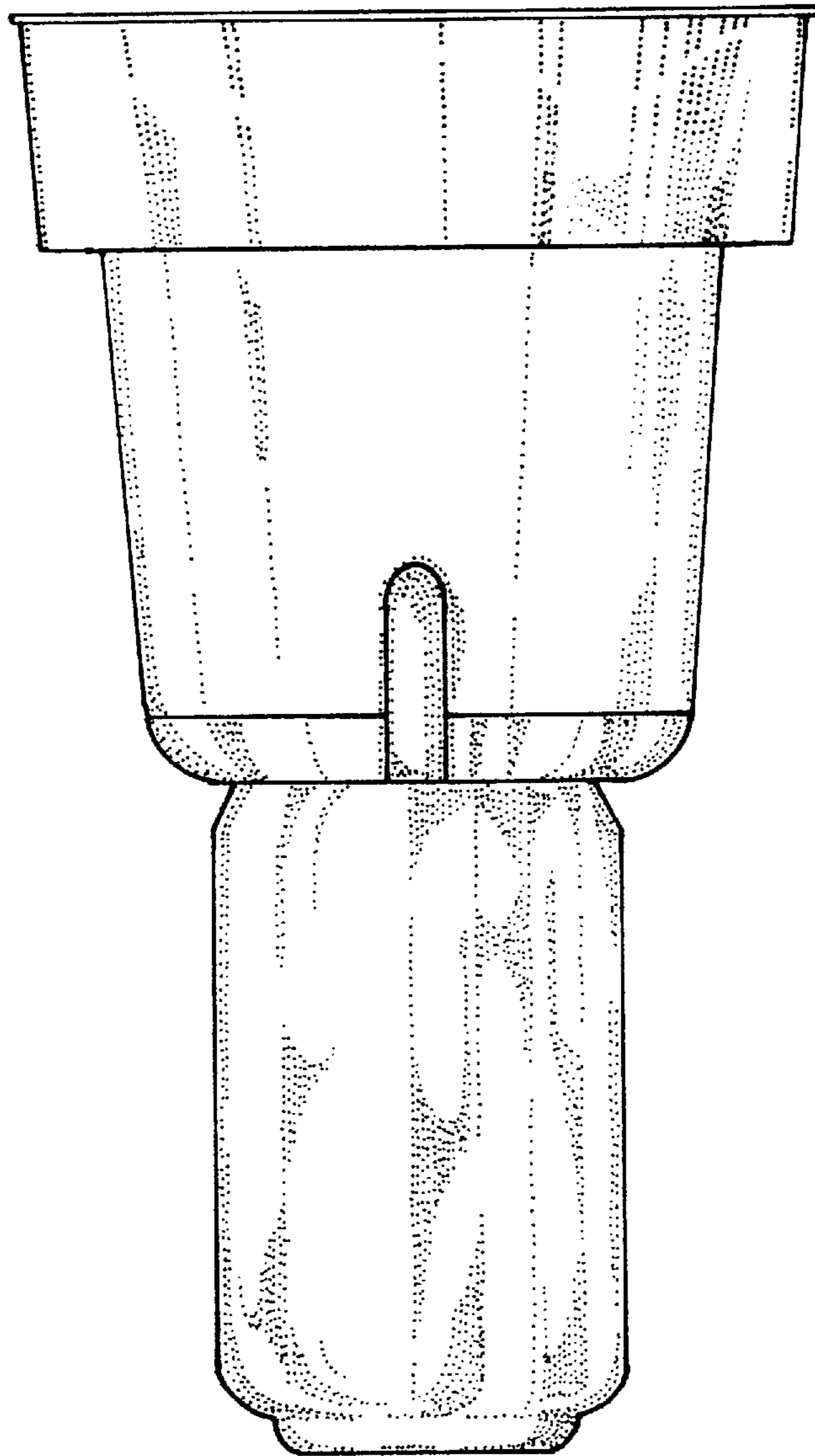


FIG. 6

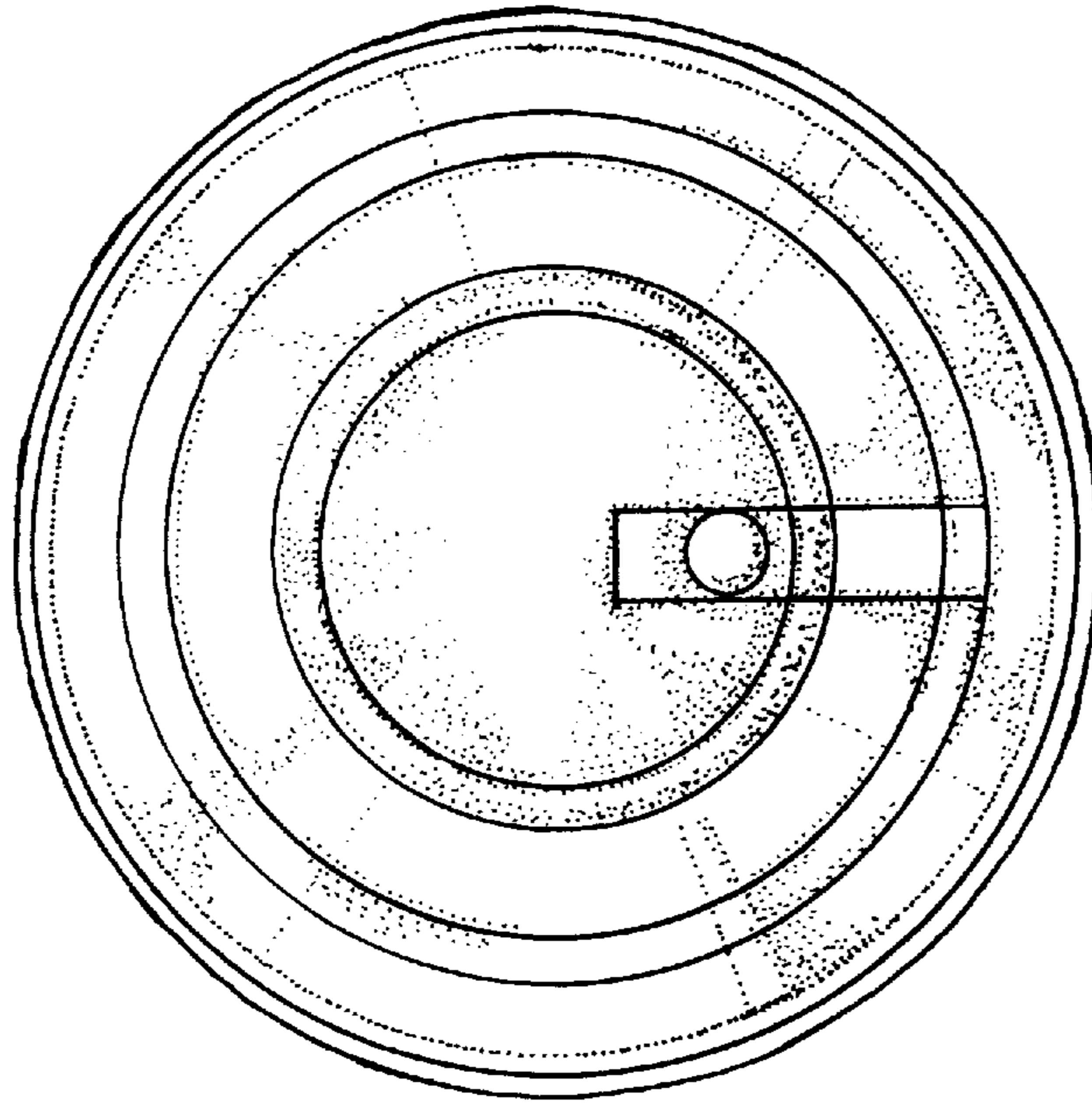


FIG. 7

