



US00D397910S

United States Patent [19]
Murphy

[11] **Patent Number: Des. 397,910**

[45] **Date of Patent: **Sep. 8, 1998**

[54] **SET OF GAS TUBES FOR GAS BARBEQUE GRILLS**

4,827,899 5/1989 Walters et al. 126/41 R
4,909,238 3/1990 Cassie 126/41 R
4,932,392 6/1990 Home 126/41 R

[75] Inventor: **Armand J. Murphy**, Salem, Ala.

[73] Assignee: **W. C. Bradley Company**, Columbus, Ga.

[**] Term: **14 Years**

Primary Examiner—Ruth McInroy
Attorney, Agent, or Firm—James W. Kayden, Esq.; Thomas, Kayden, Horstemeyer & Risley

[21] Appl. No.: **72,478**

[22] Filed: **Jun. 18, 1997**

[51] **LOC (6) Cl.** **07-02**

[52] **U.S. Cl.** **D7/407**

[58] **Field of Search** D7/332-337, 402-404;
126/25 R, 25 A, 25 AA, 29-30, 39 R, 39 E,
41 R, 52; 285/305, 226; 138/103, 109,
121, 118; 431/21, 355, 354

[57] **CLAIM**

The ornamental design for a set of gas tubes for gas barbeque grills, as shown and described.

DESCRIPTION

FIG. 1 is a perspective view of a set of gas tubes for gas barbeque grills to one another, showing my new design; FIG. 2 is a front elevational view thereof; FIG. 3 is a right side elevational view thereof; FIG. 4 is a left side elevational view thereof; FIG. 5 is a rear elevational view thereof; FIG. 6 is a top plan view thereof; and, FIG. 7 is a bottom plan view thereof.

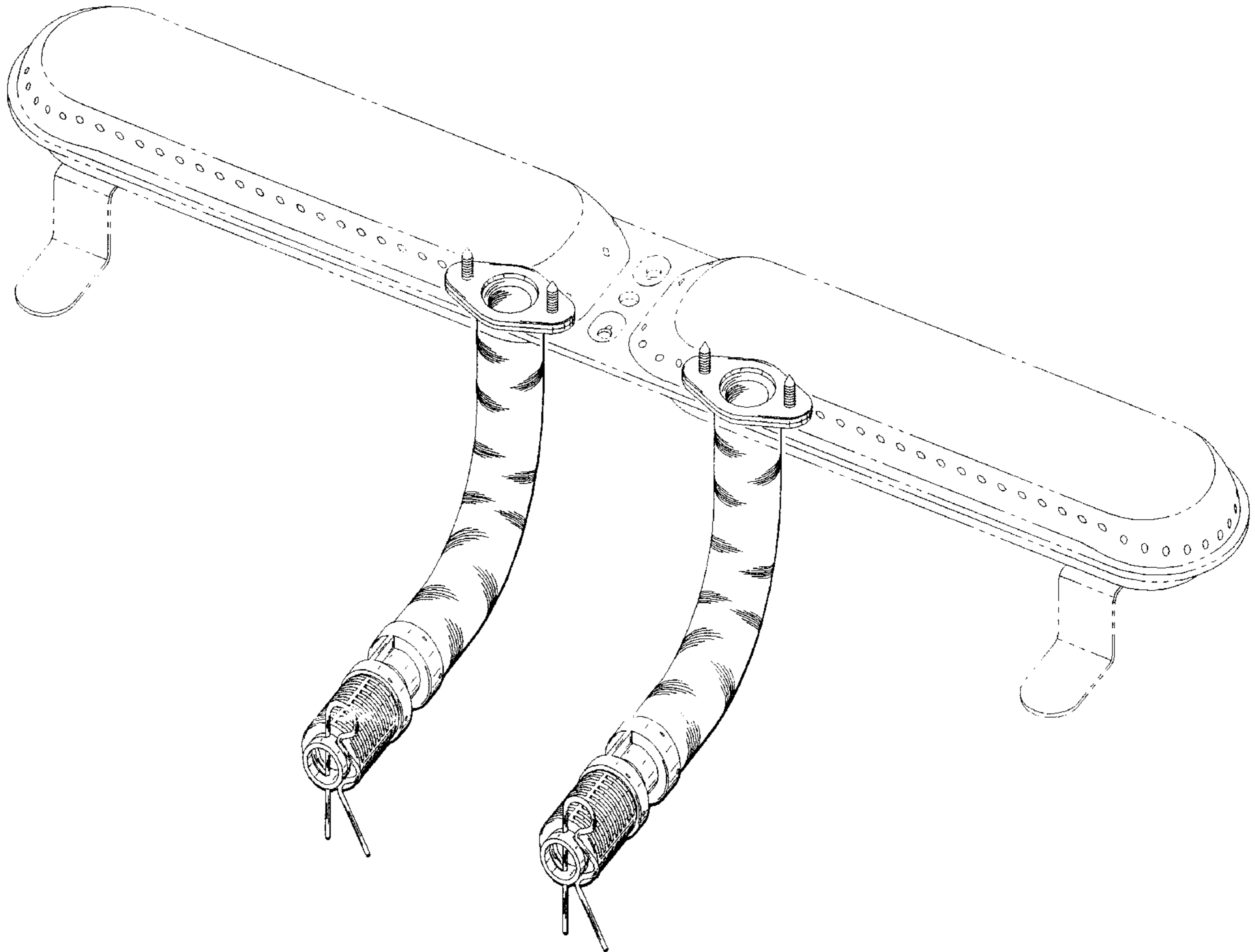
The burner shown in broken lines in all views is for illustrative purposes only and forms no part of the claimed design.

[56] **References Cited**

U.S. PATENT DOCUMENTS

4,488,534 12/1984 Koziol 126/25 R
4,598,692 7/1986 Hitch 126/41 R
4,679,544 7/1987 Koziol 126/25 R
4,773,384 9/1988 Koziol 126/41 R

1 Claim, 5 Drawing Sheets



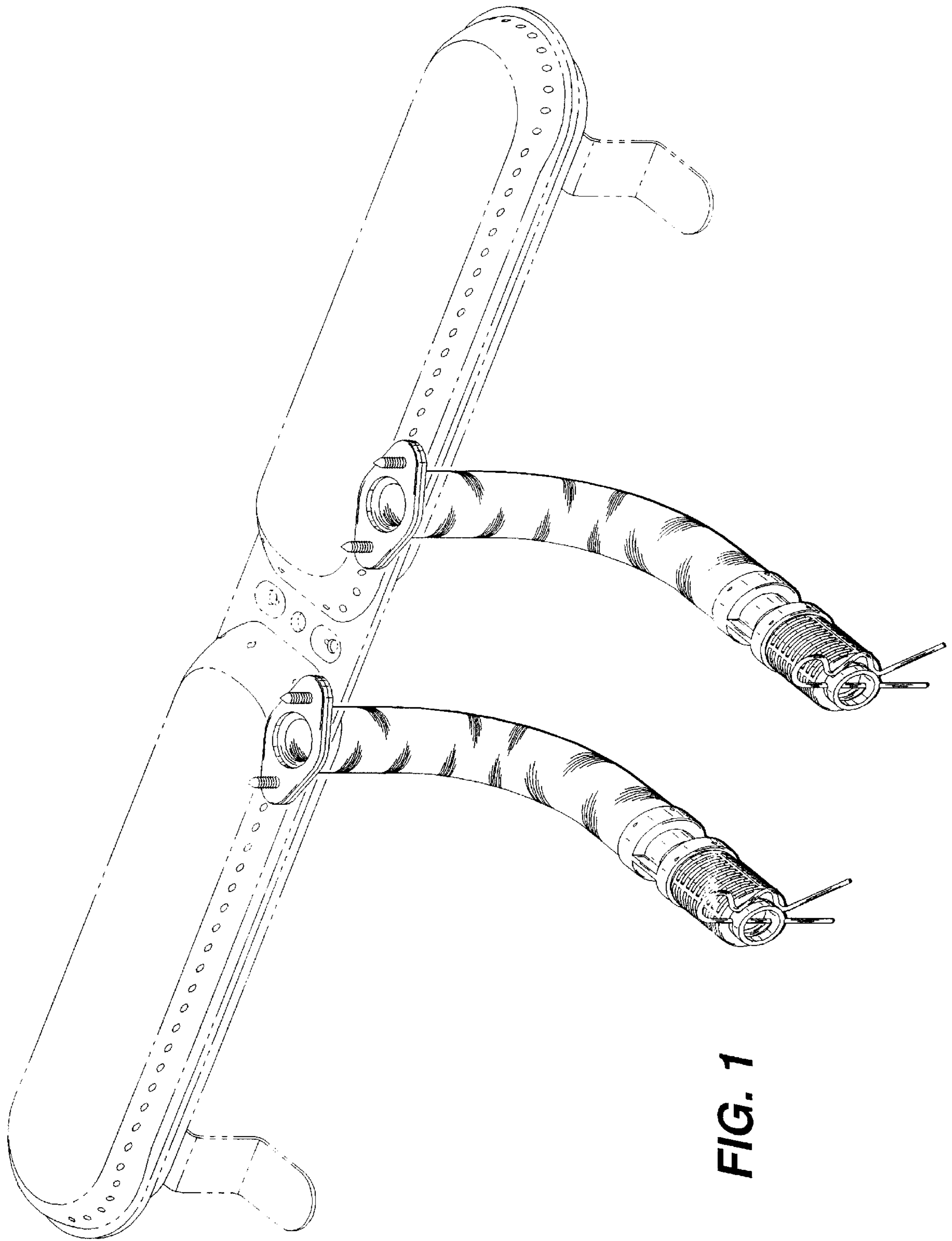


FIG. 1

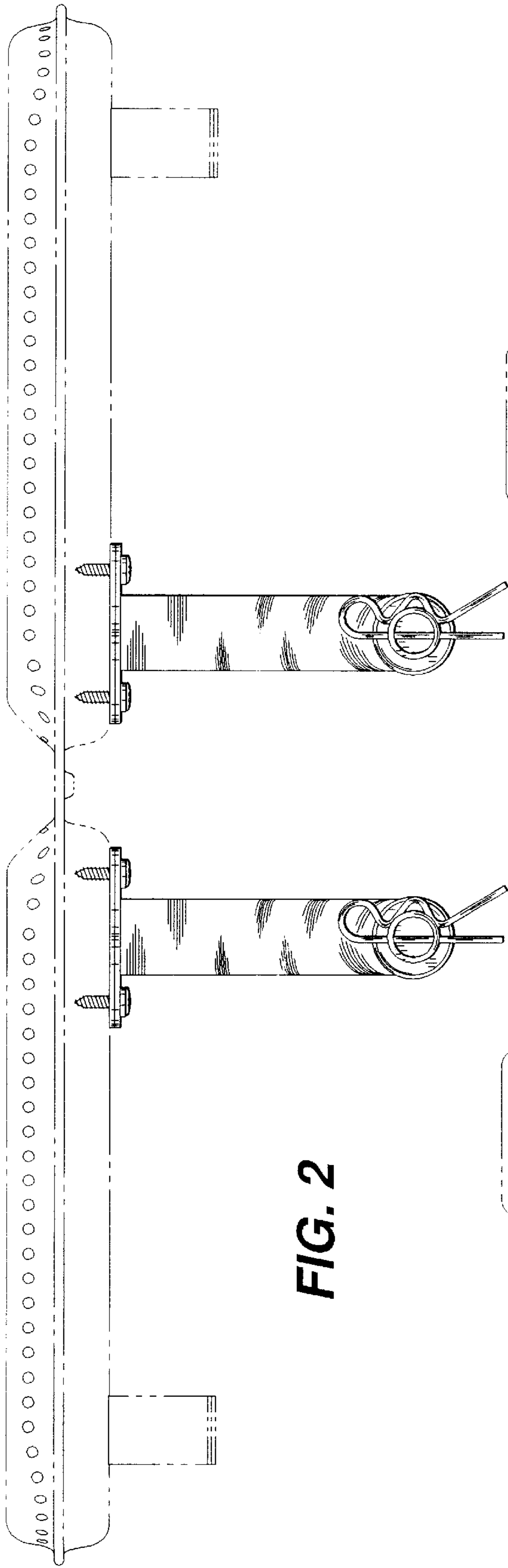


FIG. 2

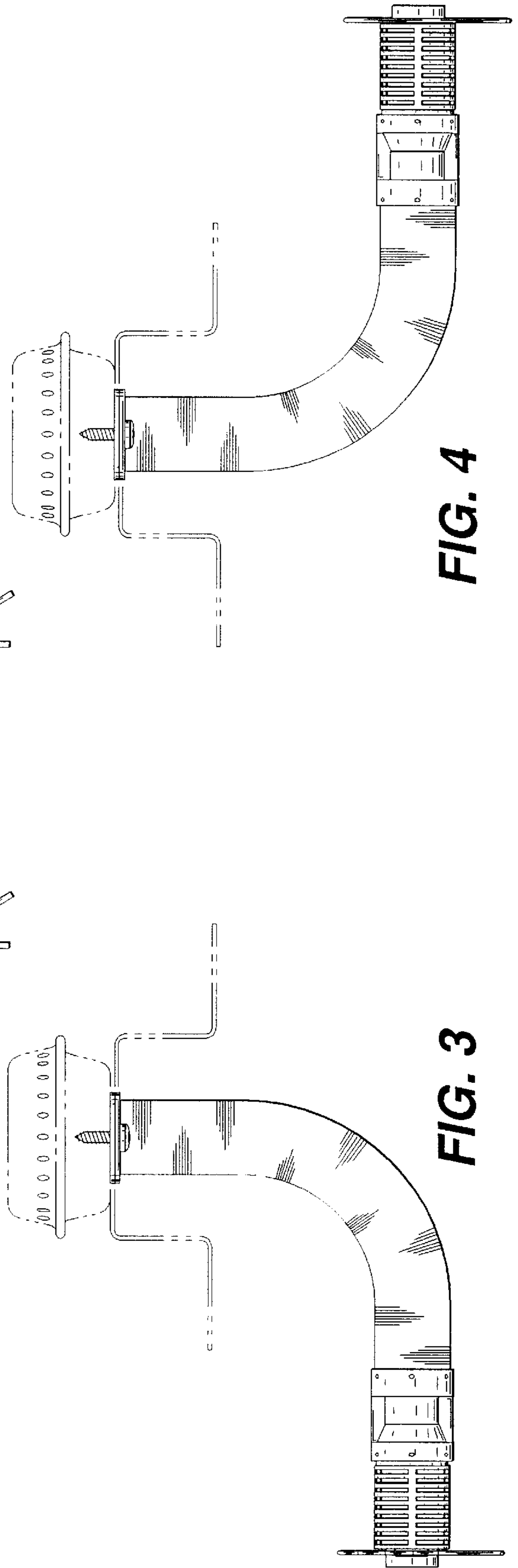


FIG. 3

FIG. 4

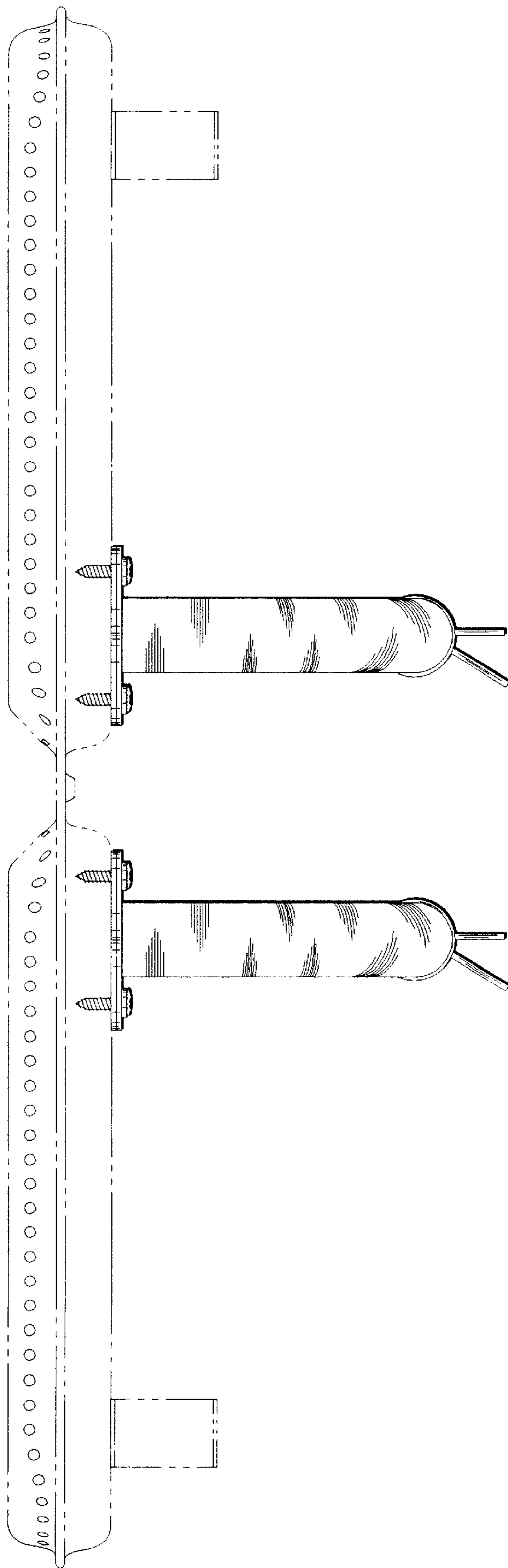


FIG. 5

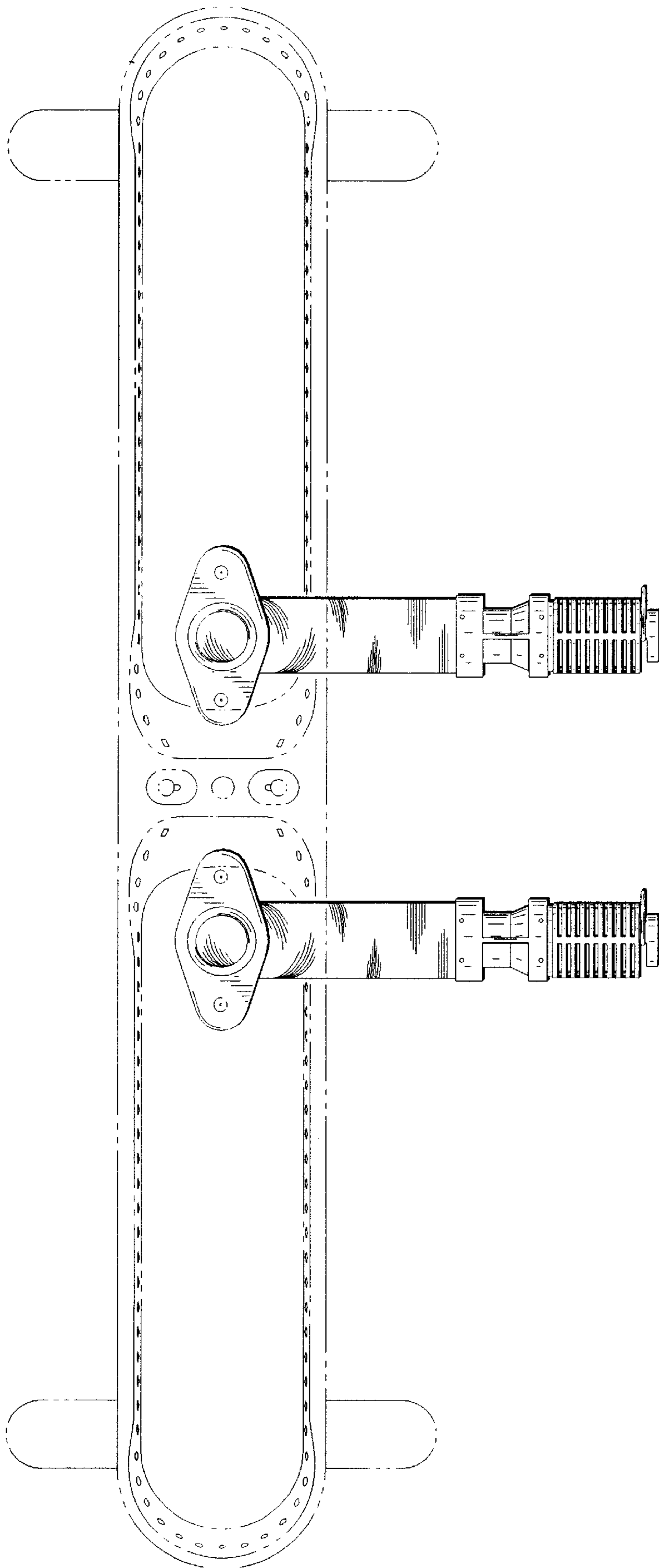


FIG. 6

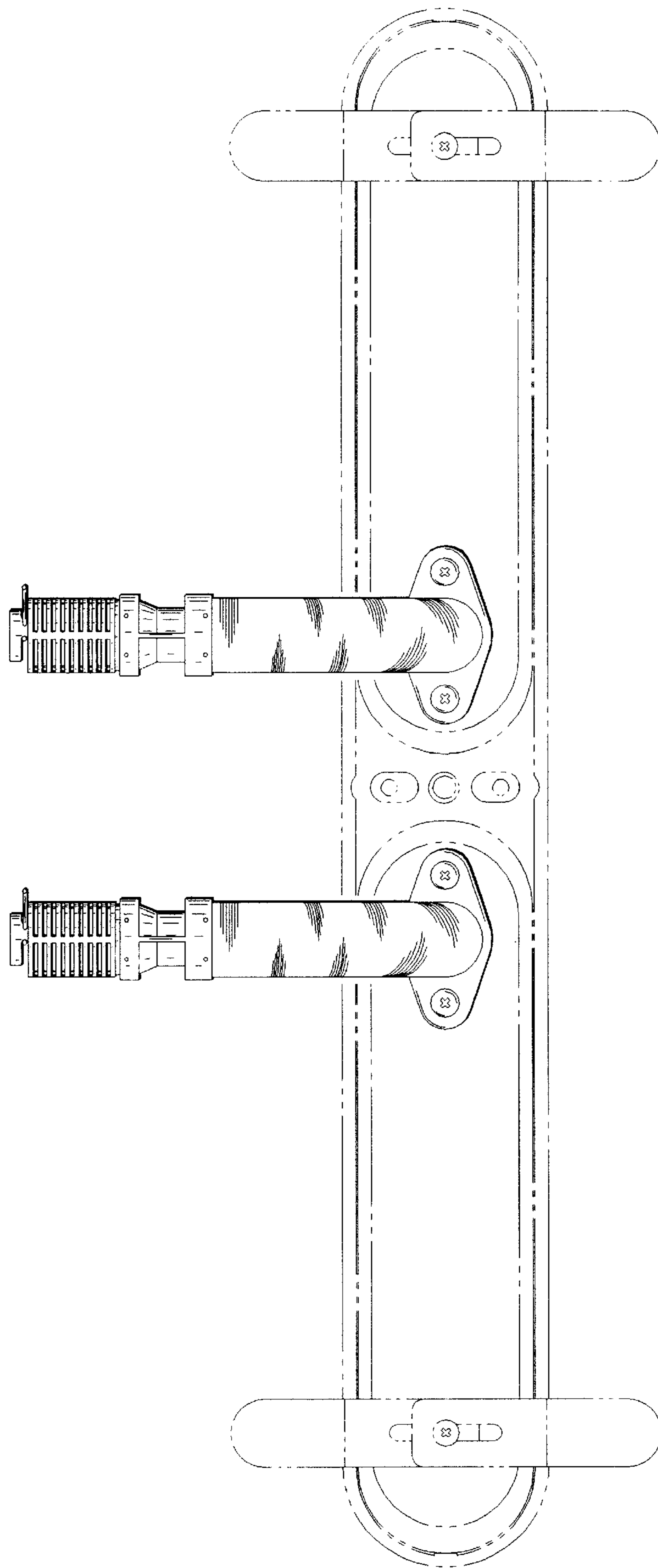


FIG. 7