



US00D397909S

# United States Patent [19]

Ashcraft et al.

[11] **Patent Number: Des. 397,909**

[45] **Date of Patent: \*\*Sep. 8, 1998**

[54] **RANGE CONTROL PANEL**

[75] Inventors: **Walter M. Ashcraft**, Schaumburg, Ill.;  
**David Steele**, Beloit, Wis.; **Kenneth R. Parker**;  
**Jonathan P. Van Dore**, both of Minneapolis, Minn.

[73] Assignee: **Atwood Industries, Inc.**, Rockford, Ill.

[\*\*] Term: **14 Years**

[21] Appl. No.: **68,040**

[22] Filed: **Mar. 19, 1997**

[51] **LOC (6) Cl. .... 07-02**

[52] **U.S. Cl. .... D7/405**

[58] **Field of Search** ..... D7/340, 346, 348,  
D7/349, 350, 402, 405, 406; 126/39 R,  
19 R, 273 R, 273 A, 39 B, 190, 198; D13/162,  
164

[56] **References Cited**

**U.S. PATENT DOCUMENTS**

- D. 88,914 1/1933 Jenkins ..... D7/406
- D. 130,802 12/1941 Stangle ..... D7/340
- D. 149,372 4/1948 O'Keefe ..... D7/340

- D. 172,208 5/1954 Armstrong ..... D7/340
- D. 187,902 5/1960 Poracki et al. .... D7/406
- D. 188,362 7/1960 Poracki ..... D7/406
- D. 193,822 10/1962 Clark et al. .... D7/340
- D. 201,334 6/1965 Gault ..... D7/406

*Primary Examiner*—Ruth McInroy  
*Attorney, Agent, or Firm*—Leydig, Voit & Mayer, Ltd.

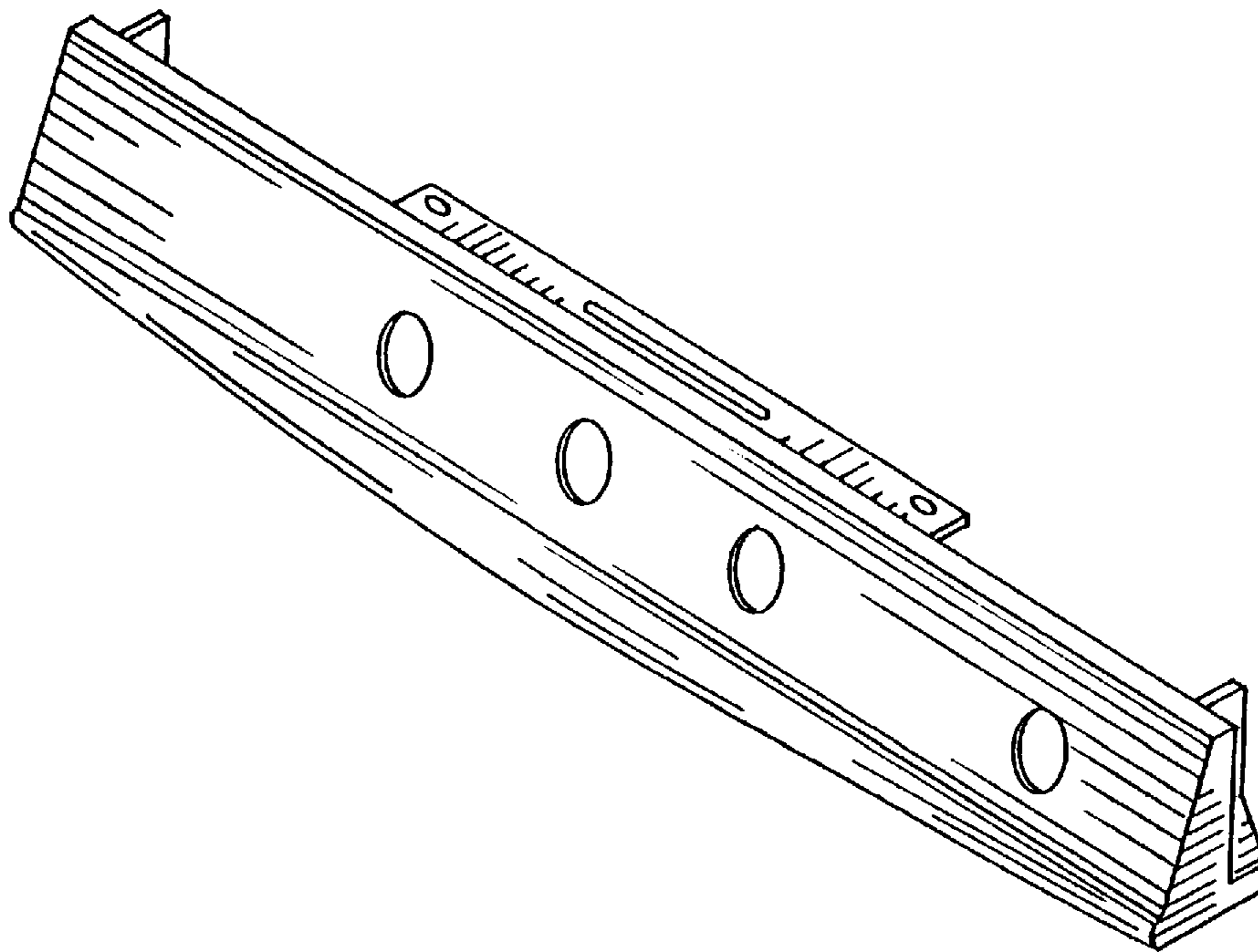
[57] **CLAIM**

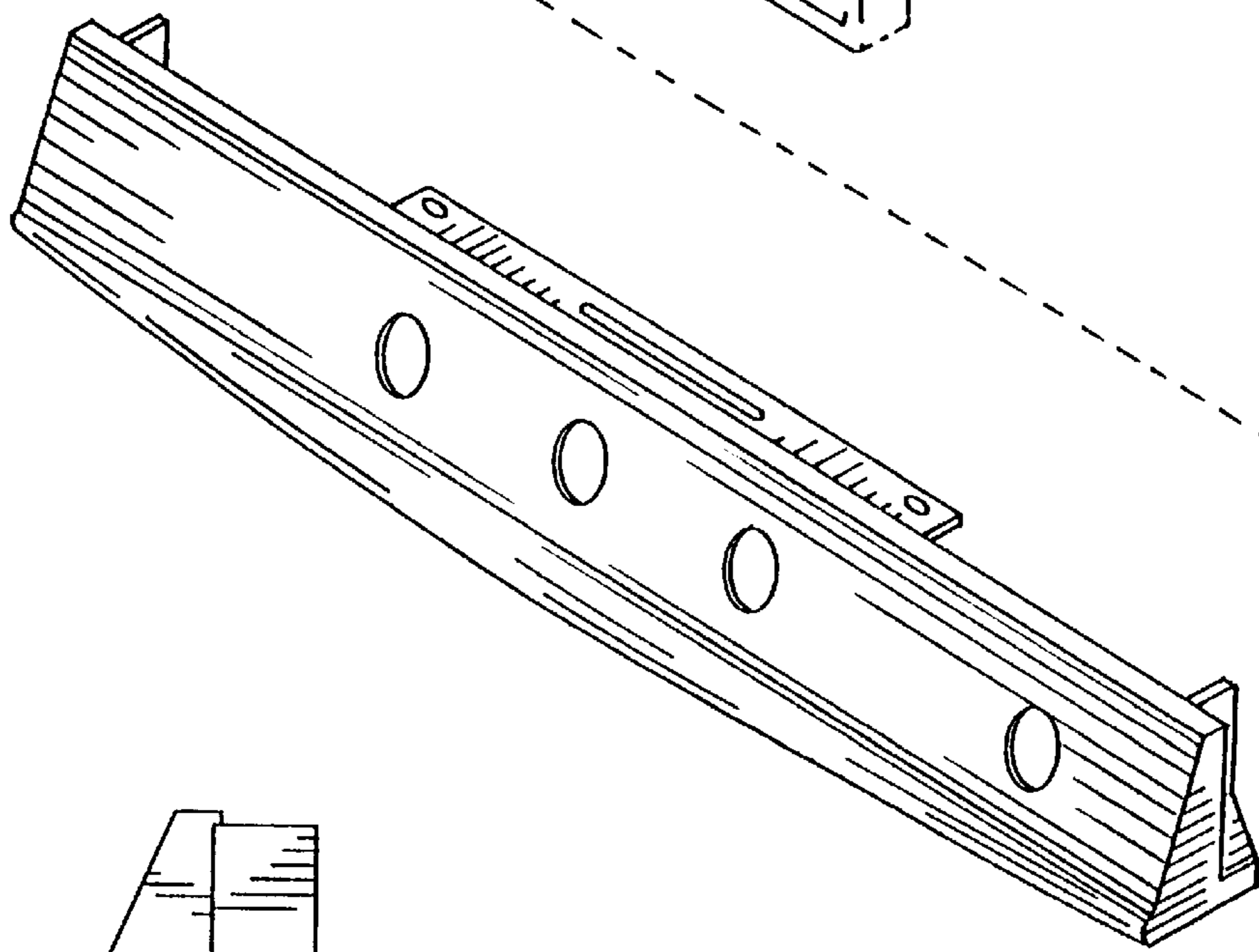
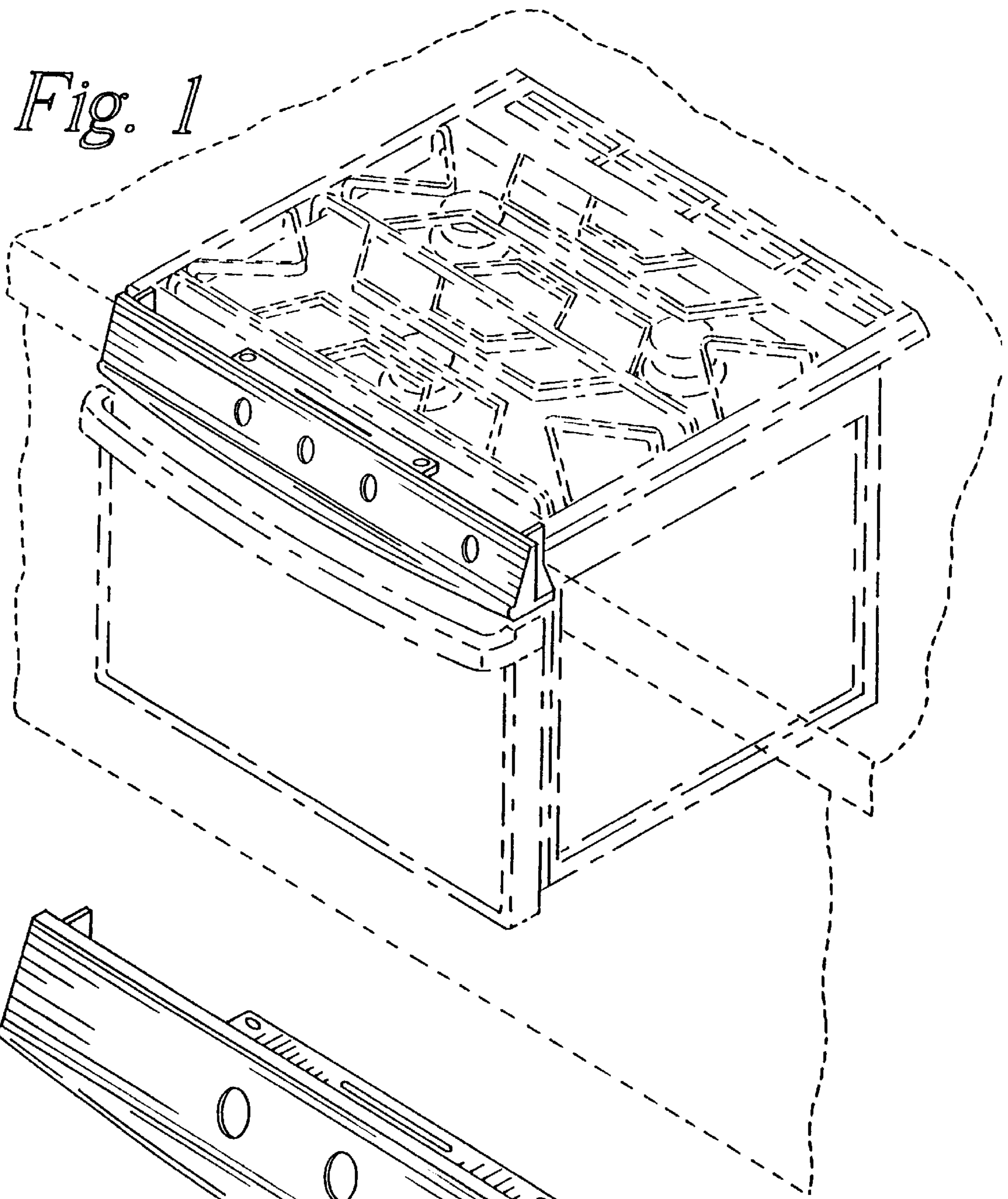
The ornamental design for the range control panel, as shown and described.

**DESCRIPTION**

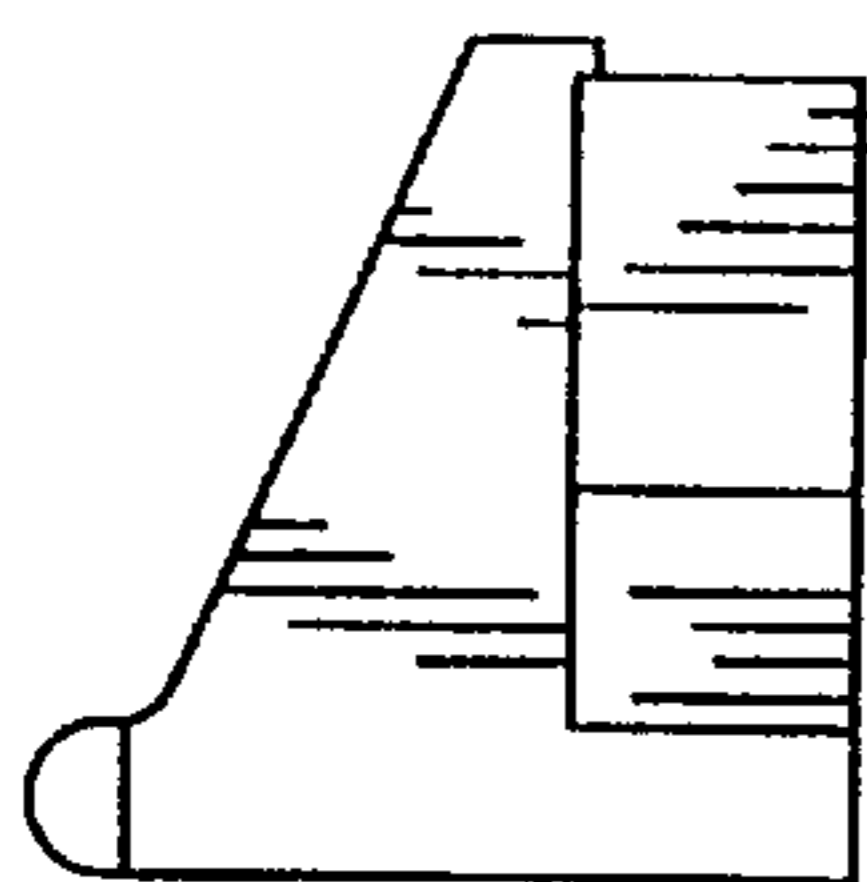
FIG. 1 is a perspective view of the range control panel showing our new design, the range and countertop shown in broken lines is for illustrative purposes only and forms no part of the claimed design;  
FIG. 2 is a perspective view thereof;  
FIG. 3 is a top view thereof;  
FIG. 4 is a front view thereof;  
FIG. 5 is a bottom view thereof;  
FIG. 6 is a back view thereof; and,  
FIG. 7 is a side view thereof, the opposite side being a mirror image.

**1 Claim, 2 Drawing Sheets**





*Fig. 2*



*Fig. 7*

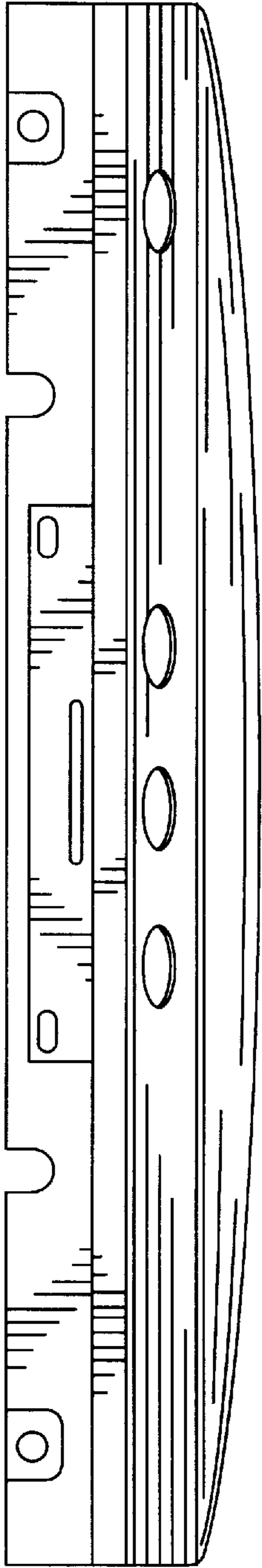


Fig. 3

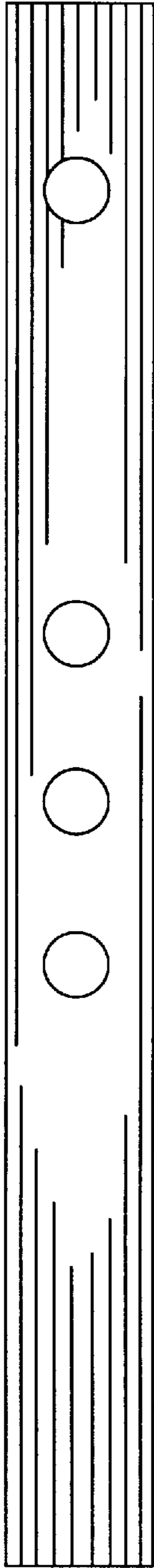


Fig. 4

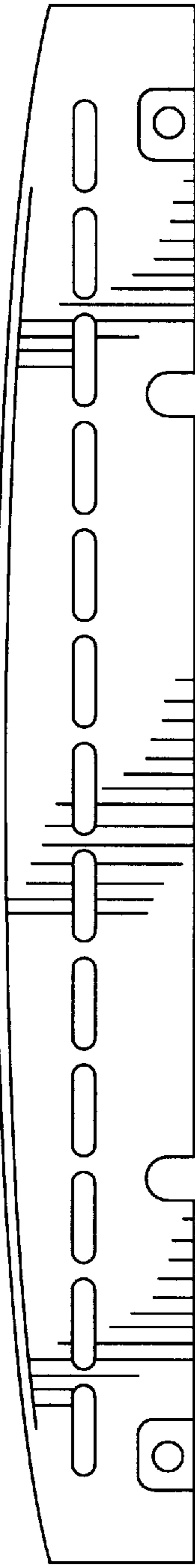


Fig. 5

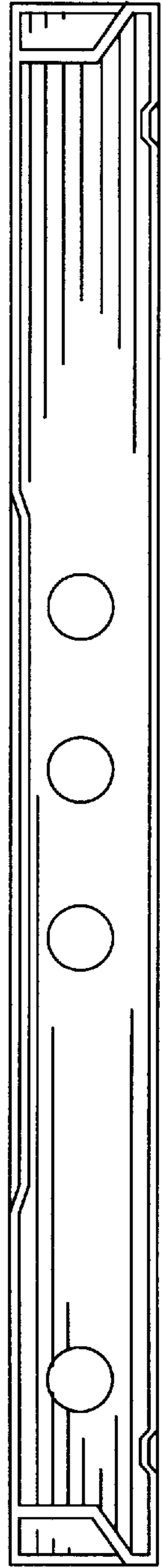


Fig. 6