



US00D397907S

United States Patent [19]
Dodane

[11] **Patent Number:** **Des. 397,907**
[45] **Date of Patent:** ****Sep. 8, 1998**

[54] **KNOB FOR A COOKWARE LID**

[76] Inventor: **Paul Dodane**, B.P. 10, 25490
Fesches-Le-Chatel, France

[**] Term: **14 Years**

[21] Appl. No.: **59,174**

[22] Filed: **Sep. 4, 1996**

[30] **Foreign Application Priority Data**

Mar. 4, 1996 [FR] France 961459

[51] **LOC (6) Cl.** **07-02**

[52] **U.S. Cl.** **D7/393**

[58] **Field of Search** D7/354, 356, 393;
D8/310; 16/110 R, 110 A, 118, 121

[56] **References Cited**

U.S. PATENT DOCUMENTS

D. 241,601 9/1976 Cook D7/356

OTHER PUBLICATIONS

Industrial Design Magazine; Mar. 1961; p. 77; Item #2/3
Skillets & Casseroles by Copco.
House & Garden Magazine; May 1973; pp. 158 & 157 Knob
on the 5qt Electric Country Kettle, 30 Cup Party Pack &
Electric Wok.

Primary Examiner—Caron D. Veynar
Attorney, Agent, or Firm—Burns, Doane, Swecker &
Mathis, L.L.P.

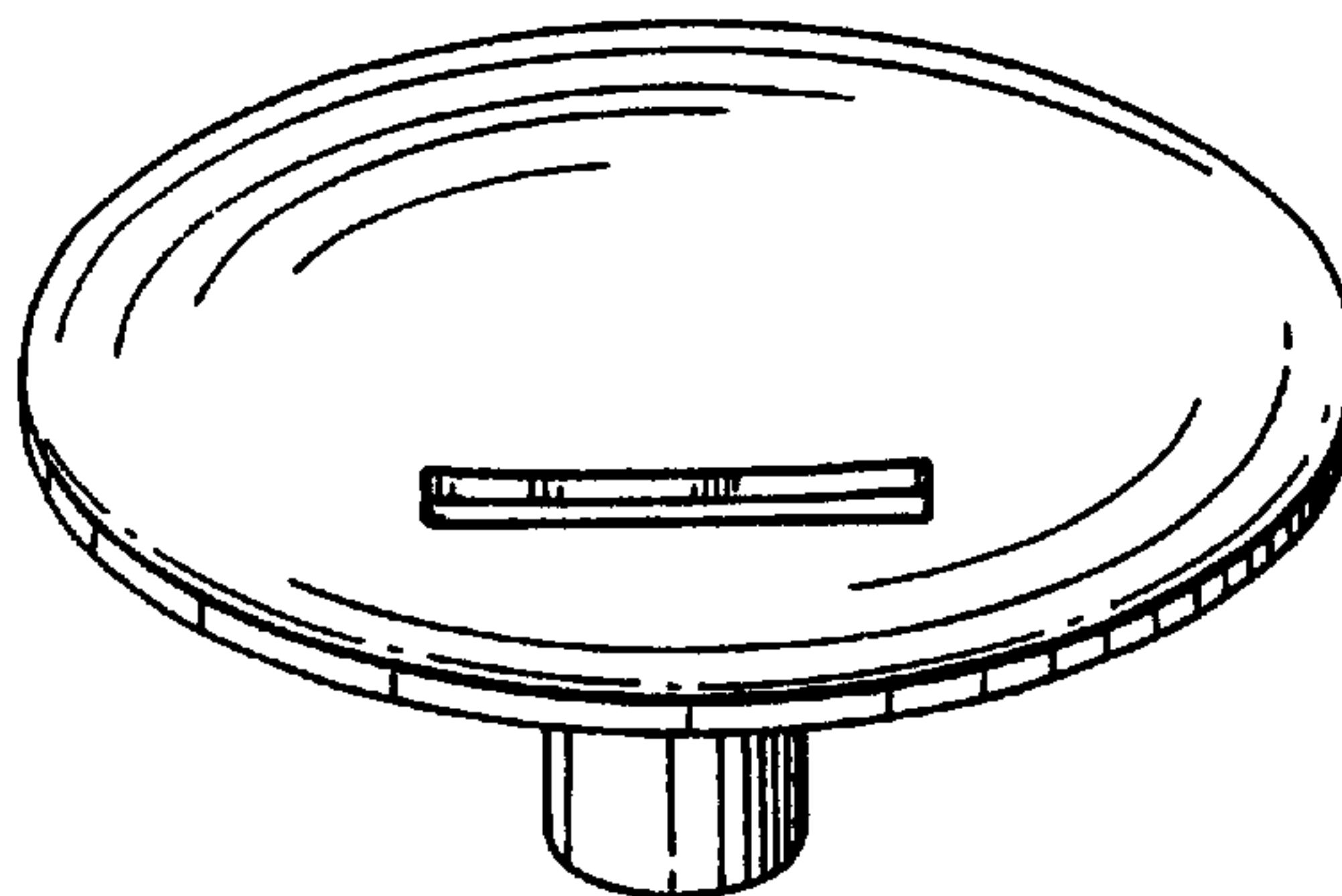
[57] **CLAIM**

The ornamental design for a knob for a cookware lid, as
shown and described.

DESCRIPTION

FIG. 1 is a perspective view of a knob for a cookware lid
showing my new design;
FIG. 2 is a top plan view of the knob of FIG. 1;
FIG. 3 is a bottom plan view of the knob of FIG. 1; and,
FIG. 4 is a side elevational view of the knob of FIG. 1, the
other sides being substantially similar.

1 Claim, 1 Drawing Sheet



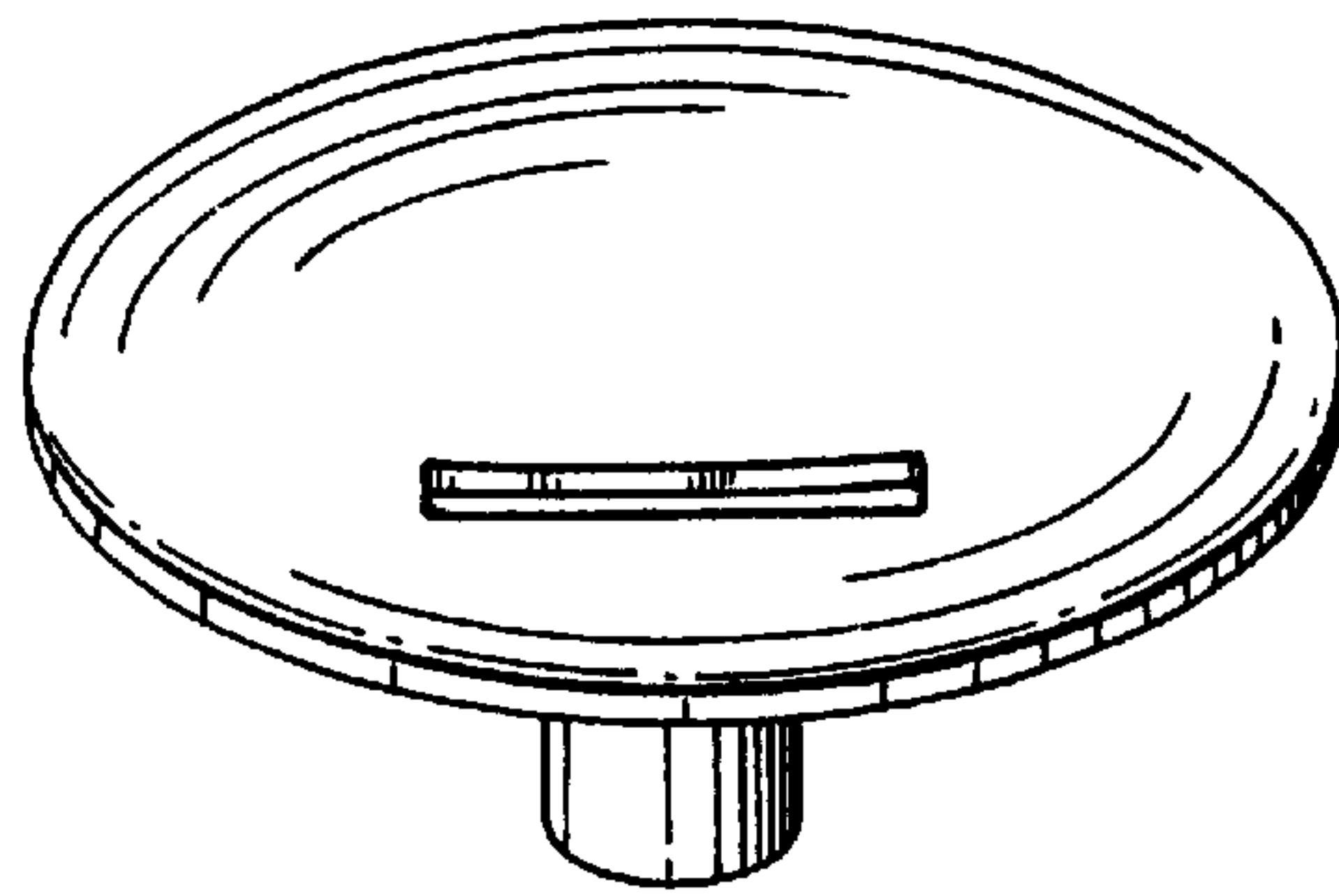


FIG. 1

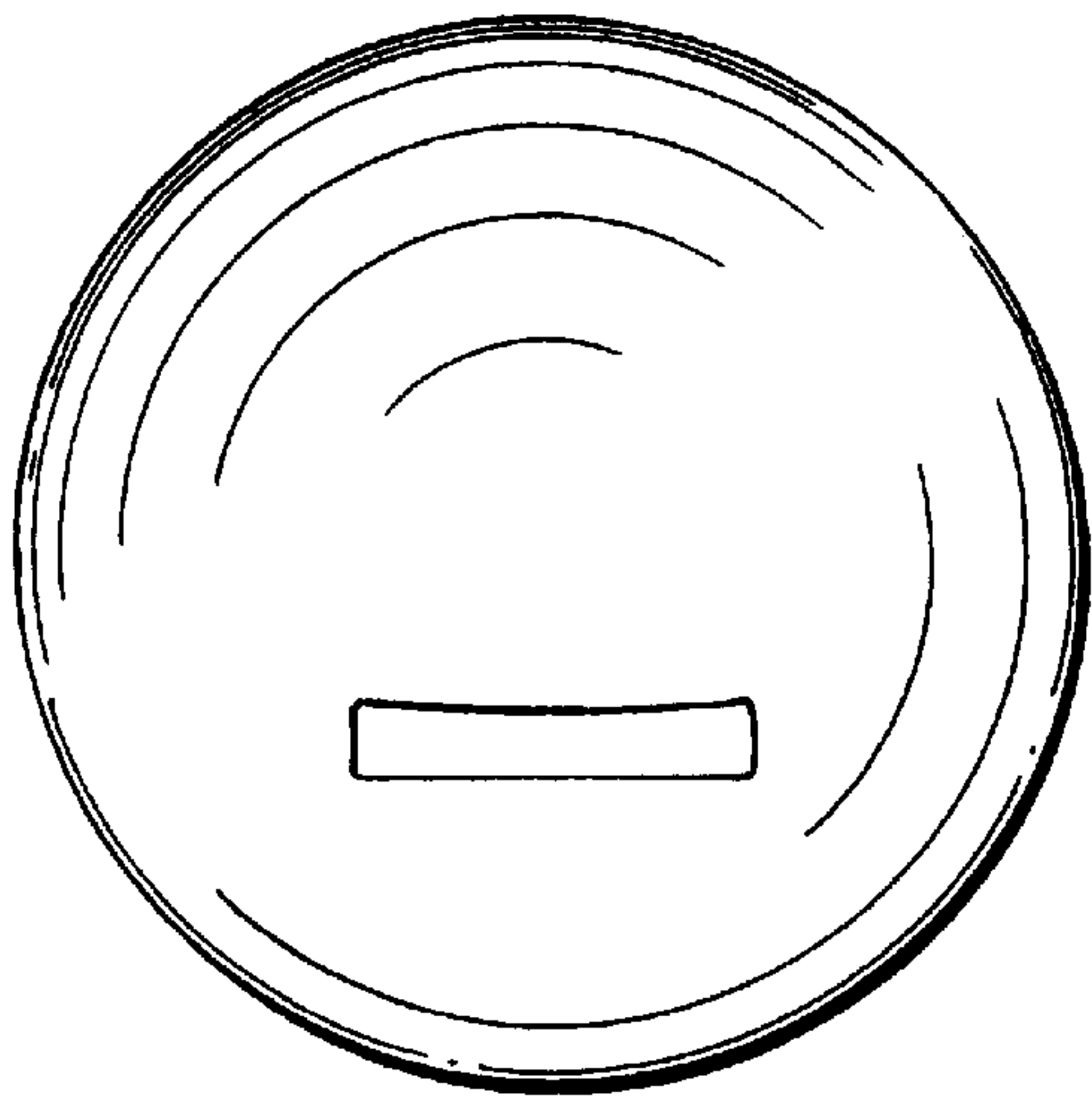


FIG. 2

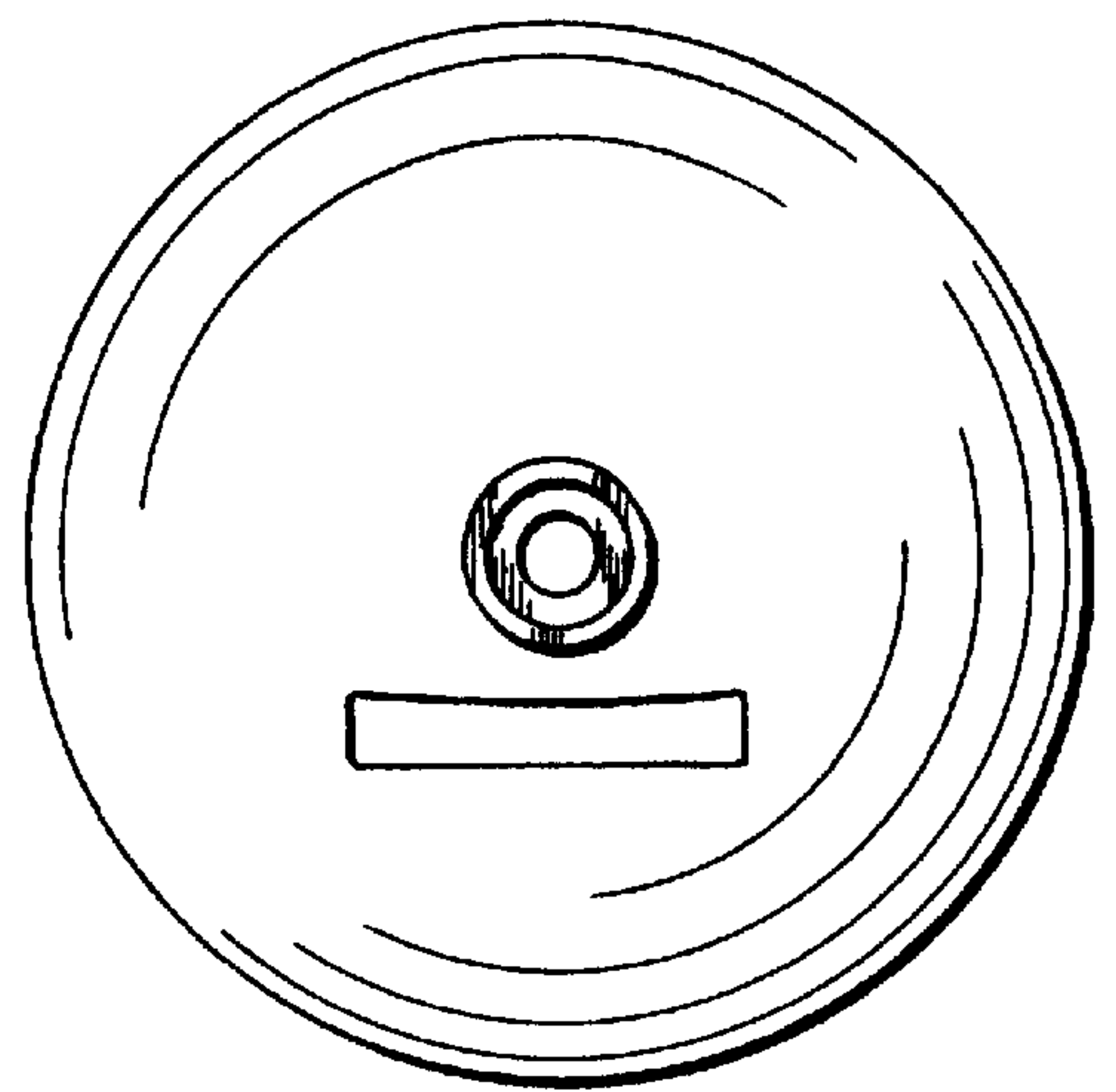


FIG. 3

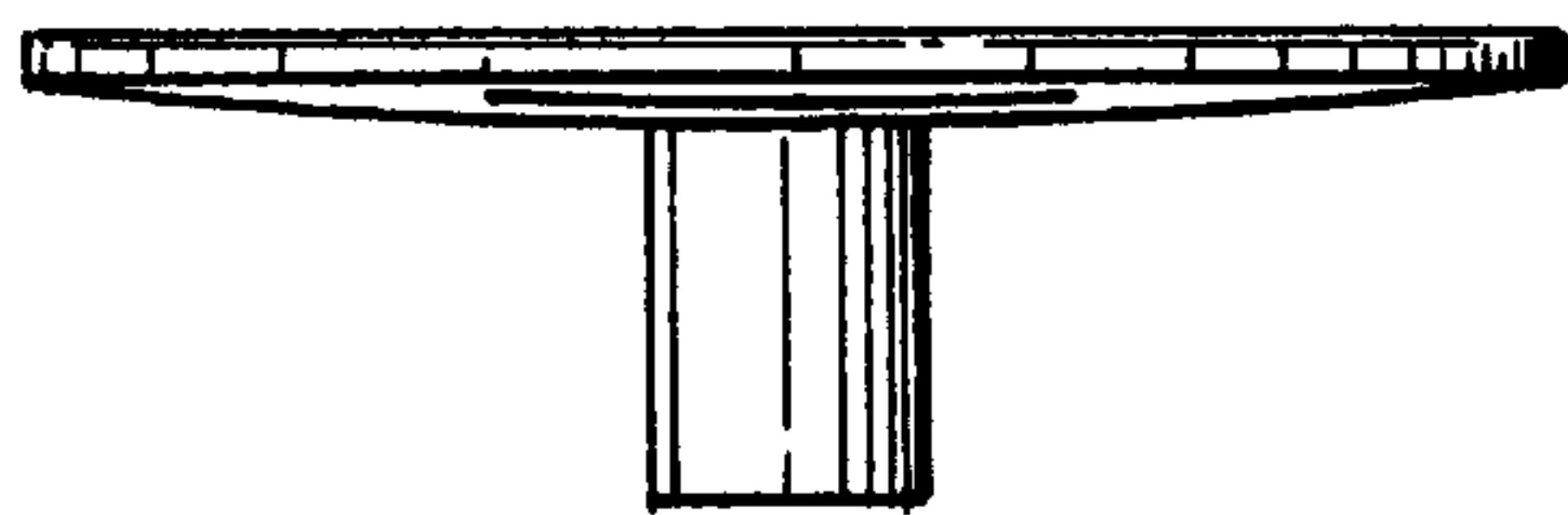


FIG. 4