



US00D397905S

United States Patent [19]

[11] **Patent Number: Des. 397,905**

Hsu

[45] **Date of Patent: **Sep. 8, 1998**

[54] **THERMOS BOTTLE-CUP FOR USE IN MOTOR VEHICLES**

D. 283,677	5/1986	Fortuna et al.	D7/511 X
D. 338,591	8/1993	Wyatt et al.	D7/316 X
2,863,585	12/1958	Meshberg	D7/608 X
3,858,767	1/1975	Borin	D7/317 X
4,606,481	8/1986	Conti et al.	D7/317 X

[75] Inventor: **Chia-Chang Hsu**, Tainan, Taiwan

[73] Assignee: **Asdak International**, Anaheim, Calif.

[**] Term: **14 Years**

Primary Examiner—M. N. Pandozzi
Attorney, Agent, or Firm—Richard L. Gausewitz;
Oppenheimer Wolff & Donnelly LLP

[21] Appl. No.: **78,286**

[57] CLAIM

[22] Filed: **Oct. 23, 1997**

The ornamental design for a thermos bottle-cup for use in motor vehicles, as shown and described.

[51] **LOC (6) Cl.** **07-01**

DESCRIPTION

[52] **U.S. Cl.** **D7/317; D7/316; D7/510**

[58] **Field of Search** D7/623, 300.1,
D7/503, 505, 507, 509, 510, 511, 513,
514, 515, 533, 536, 622, 317, 625, 608,
316, 312; 220/703, 705, 717, 709, 713,
737, 739, 625; D12/411

FIG. 1 is a top plan view of a thermos bottle-cup for use in motor vehicles;

FIG. 2 is a left side elevational view thereof, the right side elevational view being a mirror image;

FIG. 3 is a front elevational view thereof, as viewed from the left in FIG. 2;

[56] References Cited

U.S. PATENT DOCUMENTS

D. 48,354	12/1915	Mischler	D7/300.1 X
D. 155,289	9/1949	Hoople	D7/536
D. 218,149	7/1970	Noyes et al.	D7/317
D. 229,657	12/1973	Cyren	D7/317
D. 268,725	4/1983	Trombly	D7/317
D. 268,726	4/1983	Trombly	D7/317

FIG. 4 is a back elevational view thereof, as viewed from the right in FIG. 2; and,

FIG. 5 is a bottom plan view thereof.

The side not shown in FIG. 1 is the mirror image of the side shown therein.

1 Claim, 2 Drawing Sheets

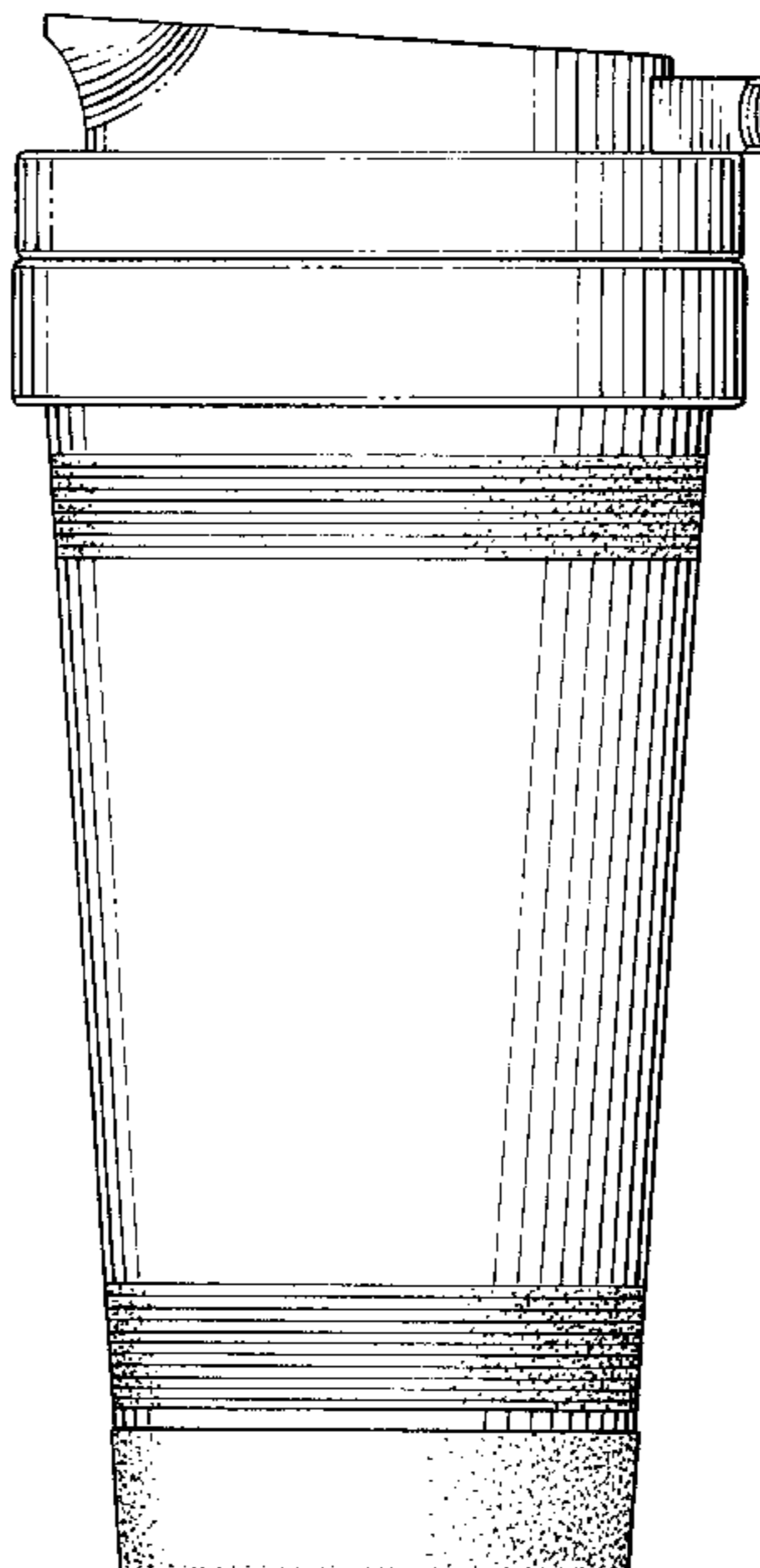
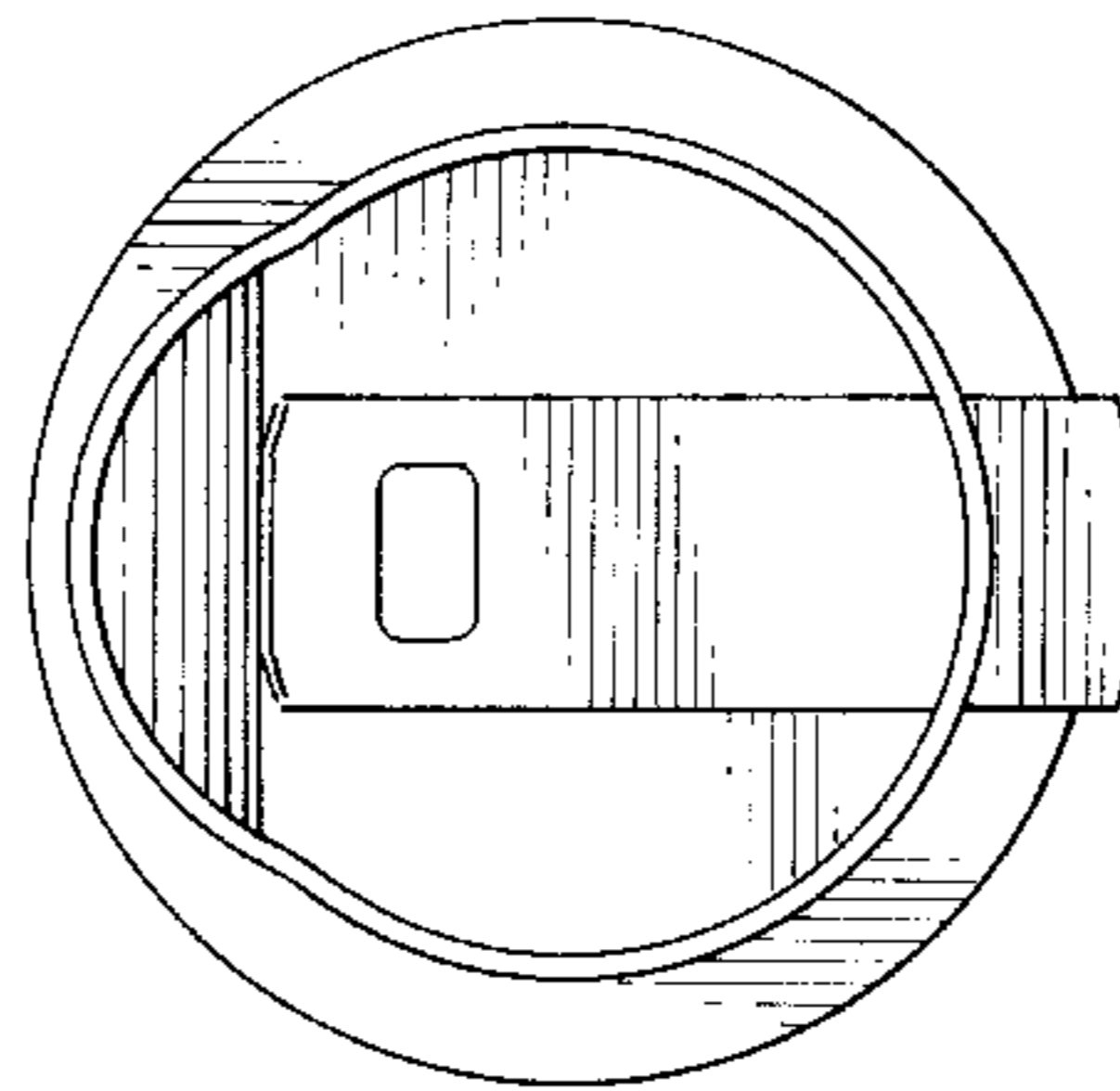


FIG. 1.

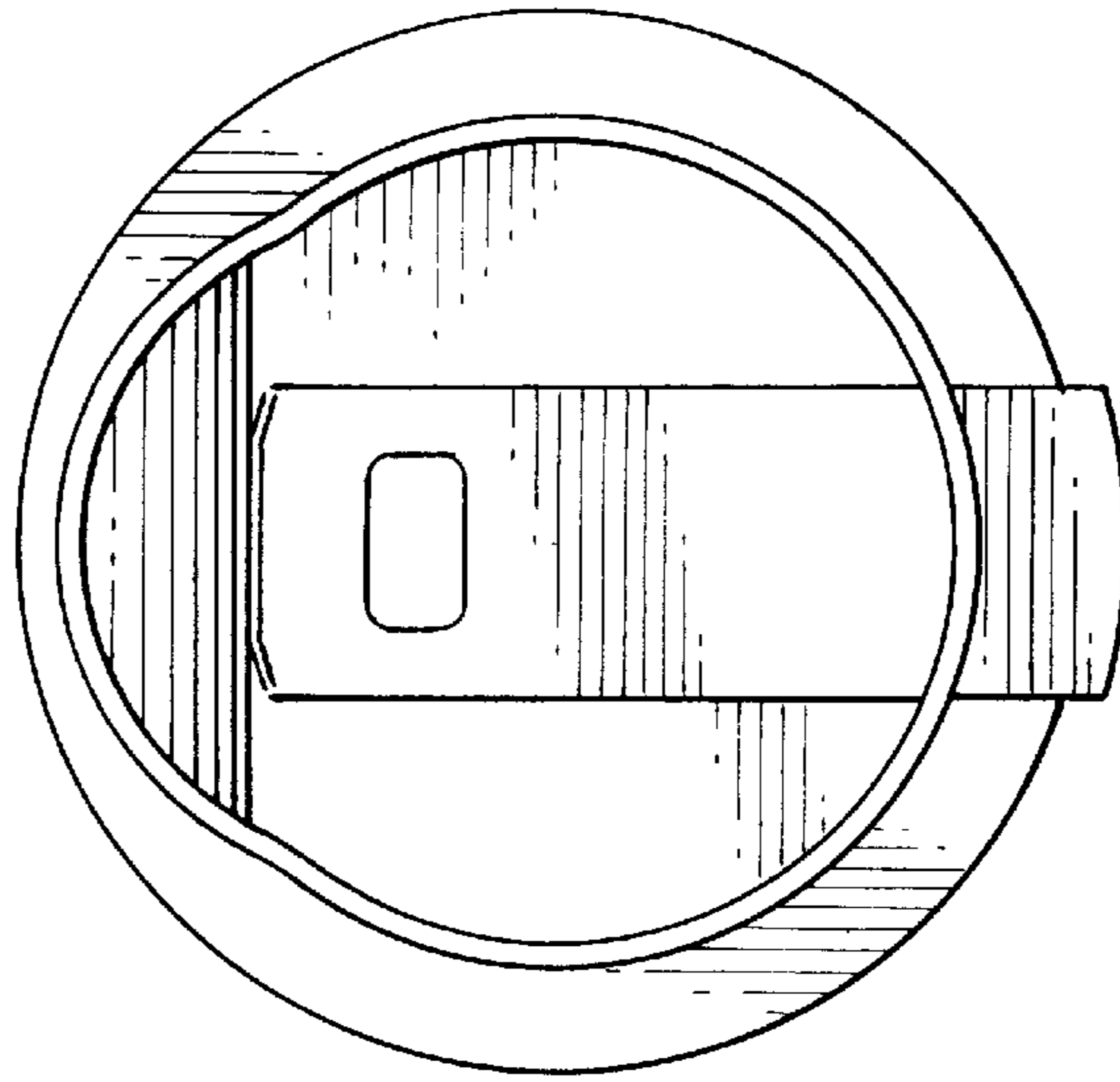


FIG. 2.

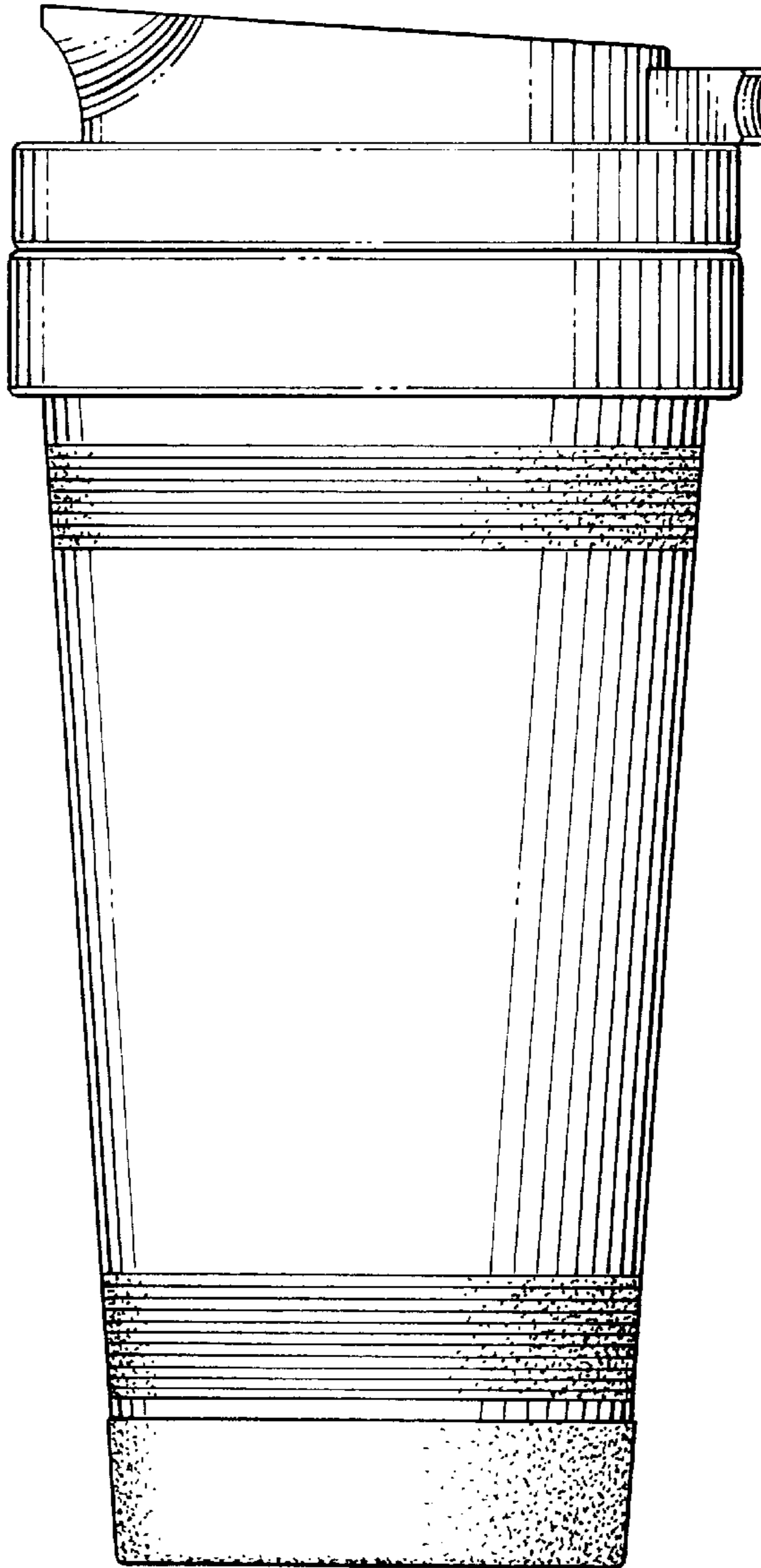


FIG. 3.

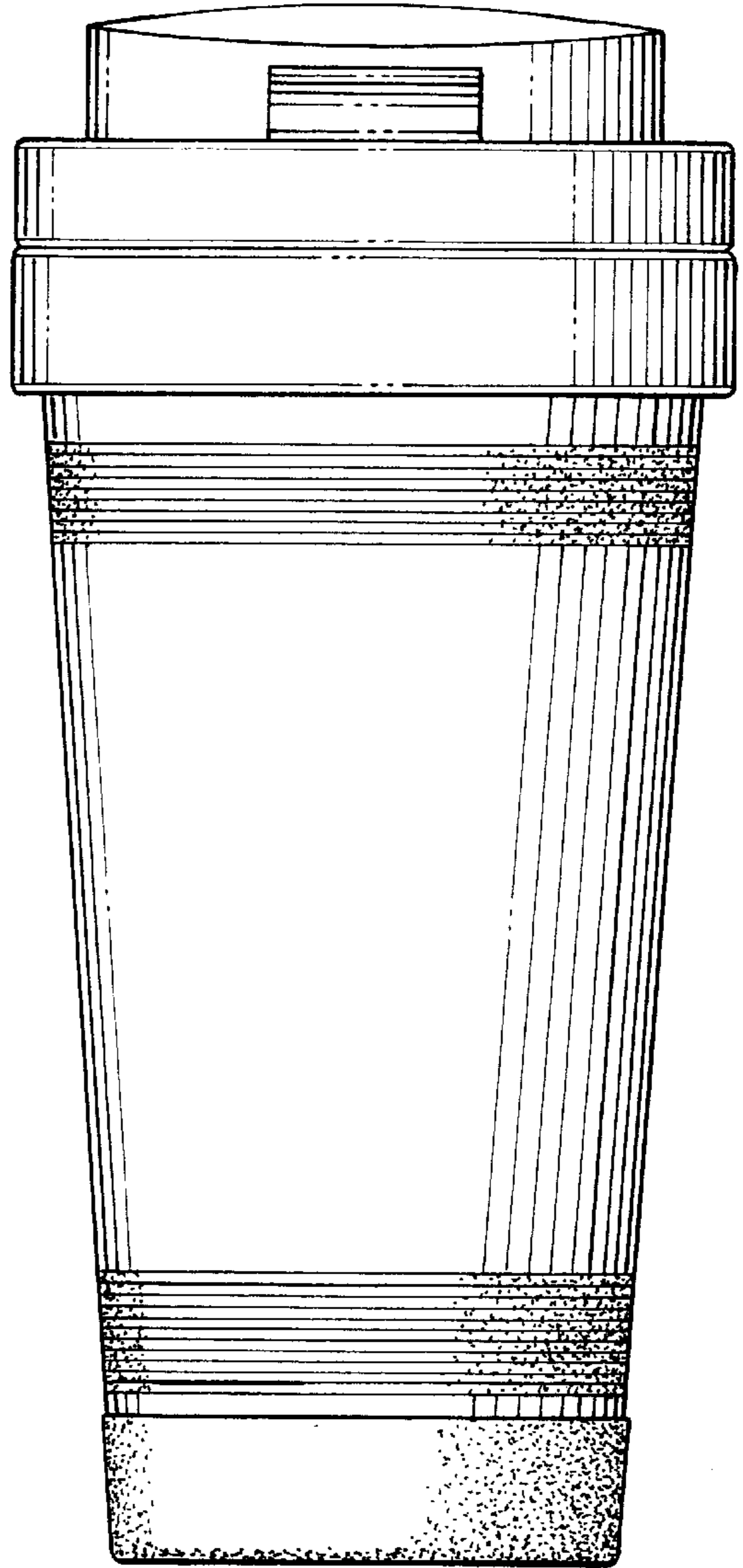
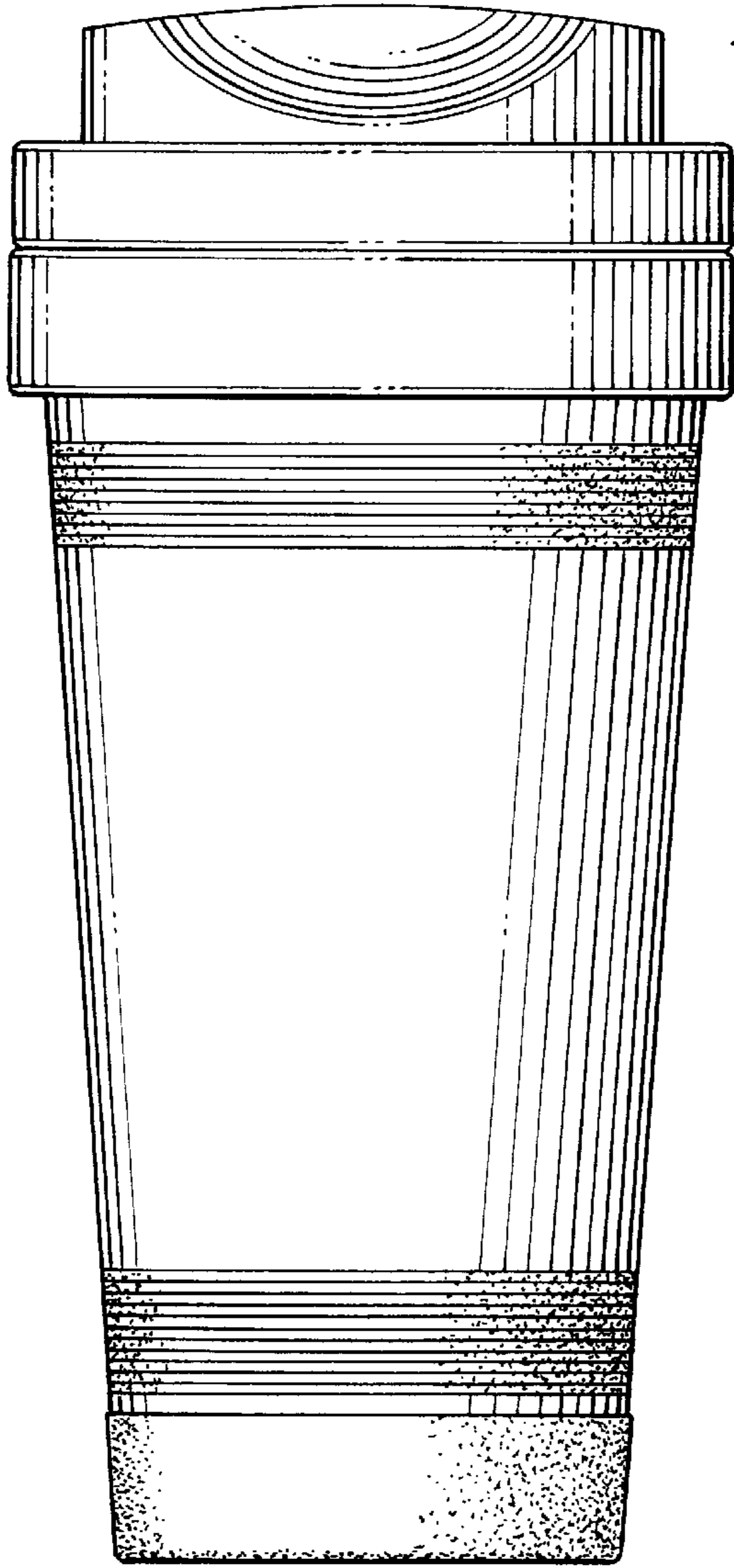


FIG. 4.

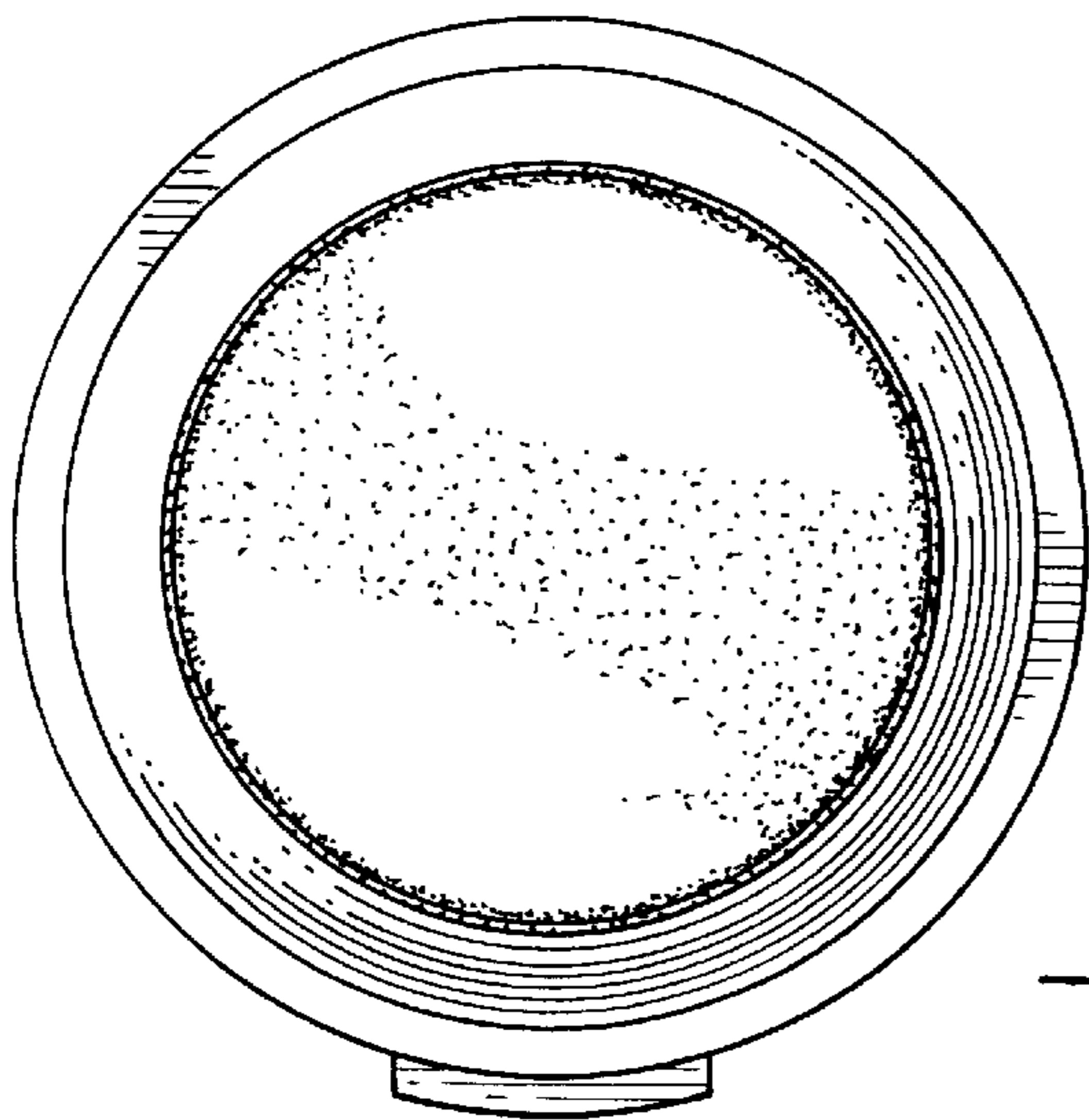


FIG. 5.