



US00D397897S

**United States Patent** [19]  
**Tipton**

[11] **Patent Number:** **Des. 397,897**

[45] **Date of Patent:** **\*\*Sep. 8, 1998**

[54] **GOLF BALL DISPLAY RACK**

D. 294,097 2/1988 Snoderly, Jr. .... D6/563  
575,079 1/1897 Thompson ..... 211/87.01 X  
5,184,735 2/1993 Black ..... 211/14

[76] Inventor: **Ronald W. Tipton**, 4837 St. Claude,  
New Orleans, La. 70117

[\*\*] Term: **14 Years**

*Primary Examiner*—Pamela Burgess  
*Attorney, Agent, or Firm*—C. Emmett Pugh;  
Pugh/Associates

[21] Appl. No.: **70,281**

[57] **CLAIM**

[22] Filed: **May 5, 1997**

The ornamental design for a golf ball display rack, as shown and described.

[51] **LOC (6) Cl.** ..... **06-04**

[52] **U.S. Cl.** ..... **D6/571; D6/563**

[58] **Field of Search** ..... D6/553, 552, 554,  
D6/563, 567, 569, 570, 571, 574; 211/14,  
70.2, 59.2, 87, 13.1; 206/315.9, 315.91;  
312/49, 245

**DESCRIPTION**

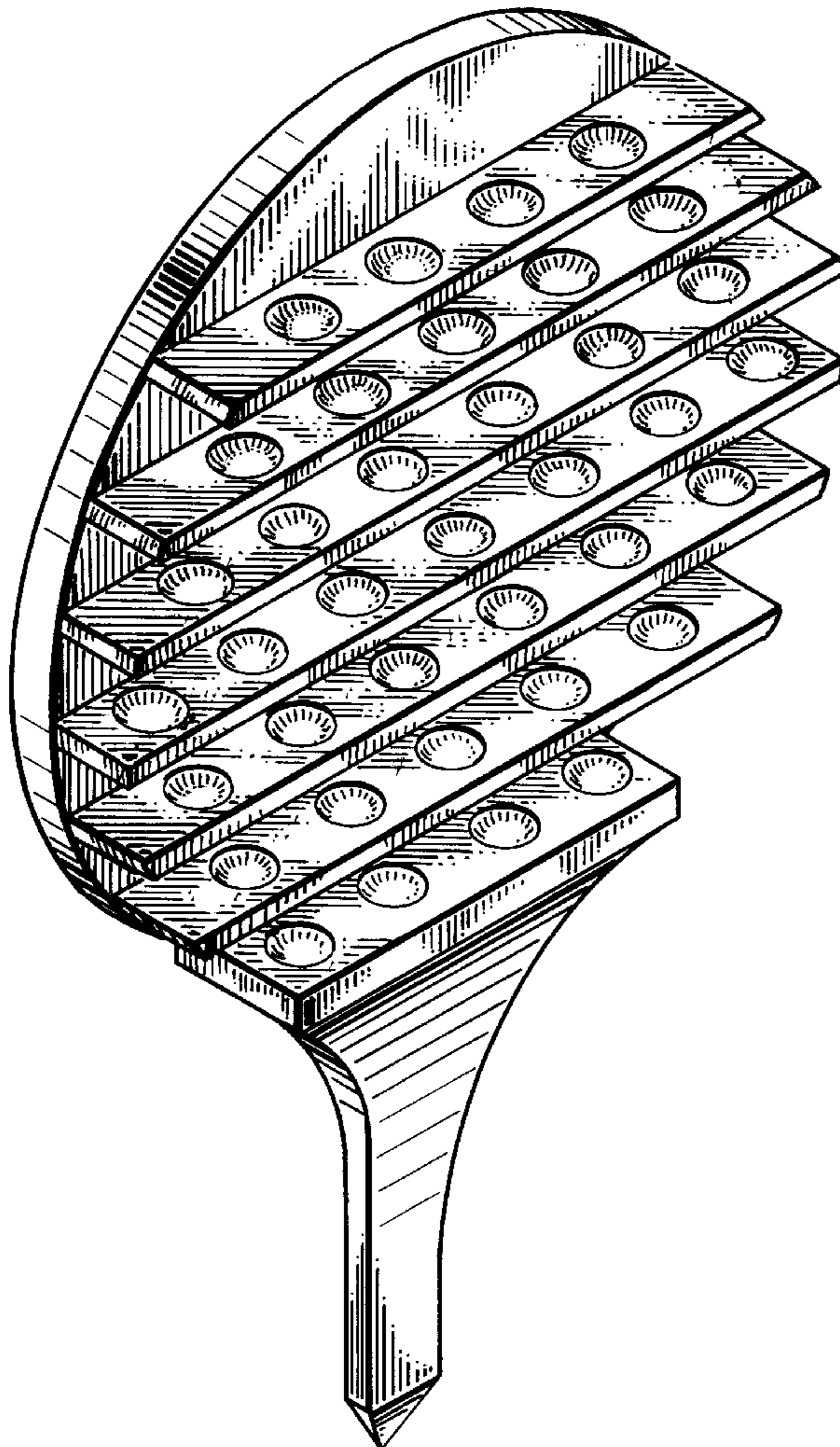
FIG. 1 is a front elevational view of a golf ball display rack showing my new design, the undisclosed rear is unadorned, and the broken lines shown are for illustrative purposes only, forming no part of the claimed design;  
FIG. 2 is a side elevational view thereof with the other side being a mirror image thereof;  
FIG. 3 is a top plan view thereof;  
FIG. 4 is a bottom plan view thereof; and,  
FIG. 5 is a perspective view thereof.

[56] **References Cited**

**U.S. PATENT DOCUMENTS**

D. 107,470	12/1937	Warner	.....	D6/563
116,561	7/1871	Collender	.....	211/14
D. 145,555	9/1946	York	.....	D6/563
D. 263,184	3/1982	Meehan, III	.....	D6/571
D. 267,533	1/1983	Phillips	.....	D6/571 X

**1 Claim, 3 Drawing Sheets**



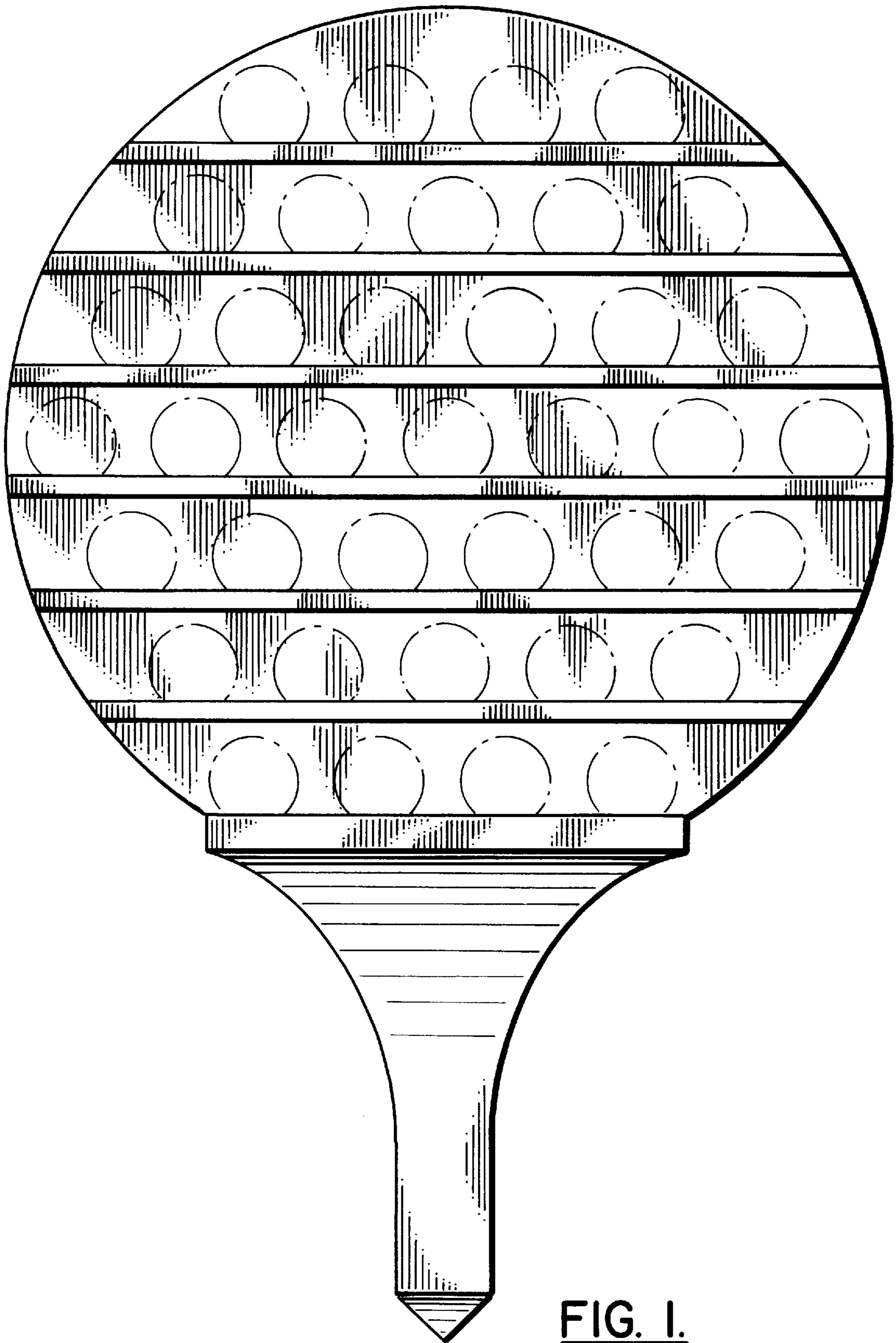


FIG. 1.

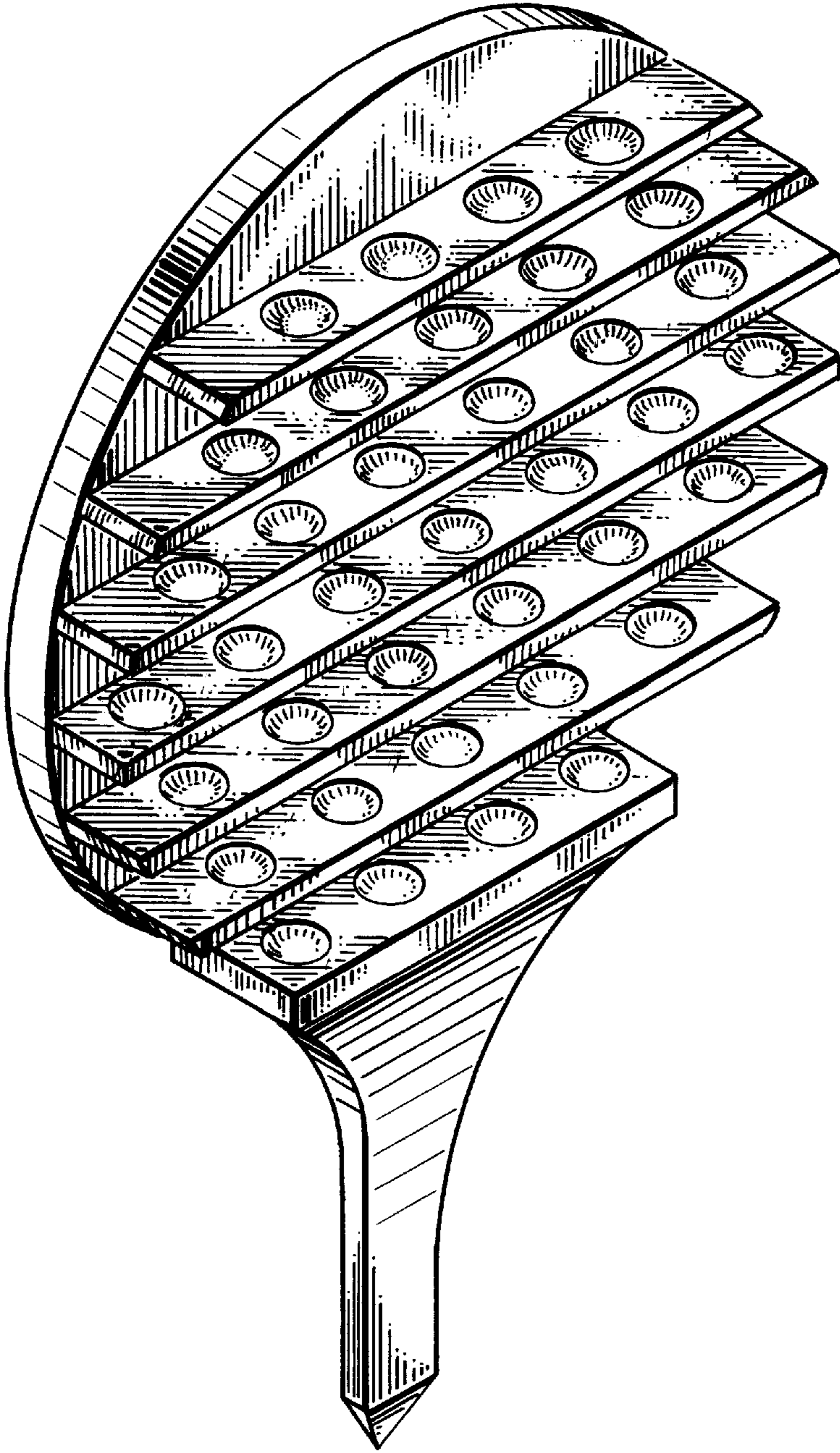


FIG. 5.

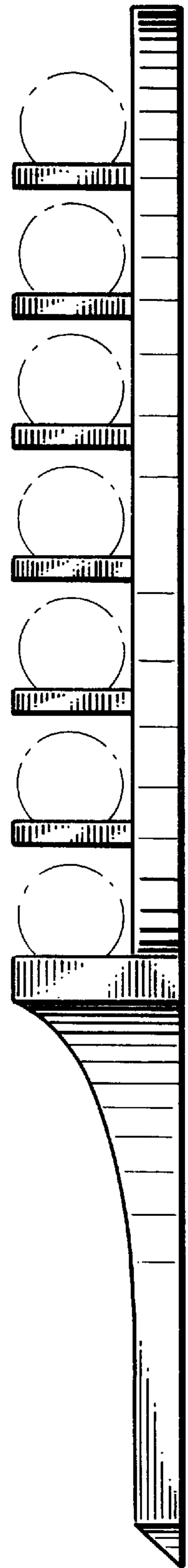


FIG. 2.

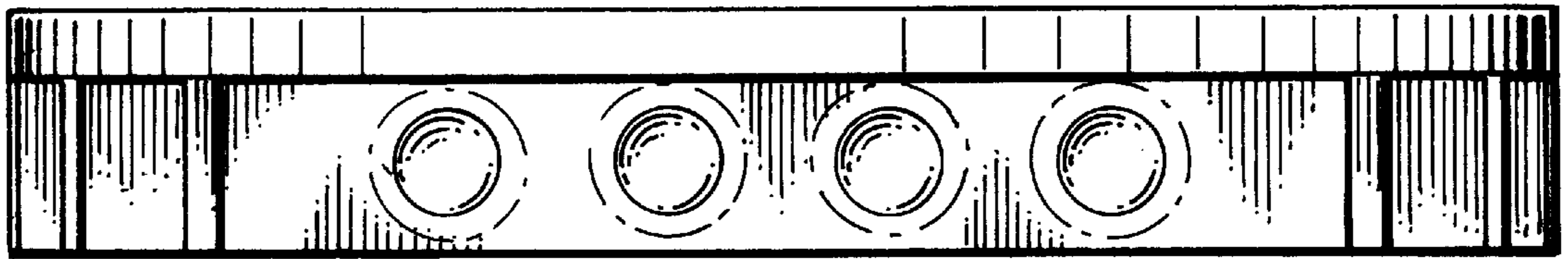


FIG. 3.

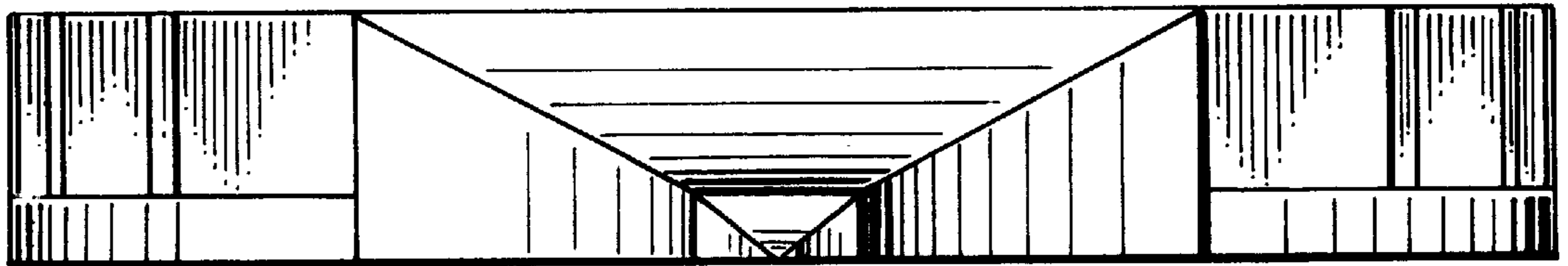


FIG. 4.