



US00D397896S

# United States Patent [19] Chen

[11] **Patent Number: Des. 397,896**

[45] **Date of Patent: \*\*Sep. 8, 1998**

[54] **BATHROOM CABINET**

[76] Inventor: **Joe Chen**, 30 Bedminster Rd.,  
Randolph, N.J. 07869

[\*\*] Term: **14 Years**

[21] Appl. No.: **76,245**

[22] Filed: **Sep. 5, 1997**

[51] **LOC (6) Cl. .... 06-04**

[52] **U.S. Cl. .... D6/561; D6/573**

[58] **Field of Search** ..... D6/561, 553, 559,  
D6/560, 567, 568, 569, 573; 312/224, 226,  
227, 245, 114, 242, 34.1, 7.2, 7.1, 21, 213,  
223.1, 201, 204, 206; 211/87.01, 134

[56] **References Cited**

**U.S. PATENT DOCUMENTS**

D. 49,659	9/1916	Phelan	.....	D6/559
D. 277,148	1/1985	Palka	.....	D6/560
D. 326,974	6/1992	Grassie	.....	D6/526
332,238	12/1885	Denton	.....	211/134.4
809,592	1/1906	Watts, Jr.	.....	312/242
1,876,407	9/1932	Frazier	.....	312/242
3,462,207	8/1969	Newman	.....	312/209

*Primary Examiner*—Pamela Burgess  
*Attorney, Agent, or Firm*—Dilworth & Barrese

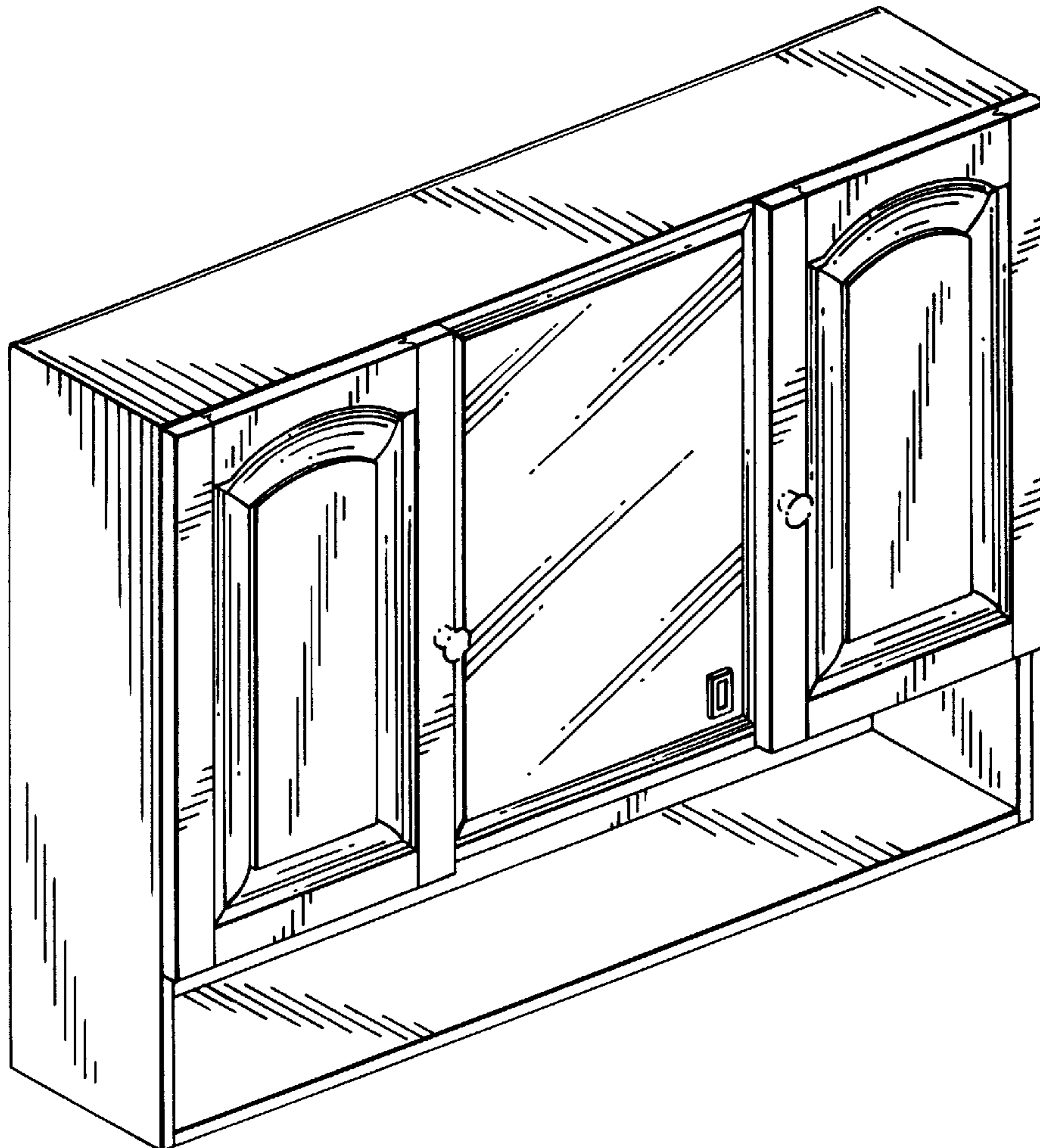
[57] **CLAIM**

The ornamental design of a bathroom cabinet, as shown and described.

**DESCRIPTION**

FIG. 1 is a perspective view of the bathroom cabinet;  
FIG. 2 is a top plan view of the bathroom cabinet;  
FIG. 3 is a front elevational view of the bathroom cabinet;  
FIG. 4 is a right side elevational view of the bathroom cabinet, the left side elevational view being a mirror image of the right side elevational view;  
FIG. 5 is a rear elevational view of the bathroom cabinet;  
FIG. 6 is a bottom view of the bathroom cabinet;  
FIG. 7 is a perspective view of the bathroom cabinet with the doors open;  
FIG. 8 is a sectional view of the bathroom cabinet taken along lines 8—8 in FIG. 7; and,  
FIG. 9 is a sectional view of the bathroom cabinet taken along lines 9—9 in FIG. 7.  
The broken lines shown are for illustrative purposes only and form no part of the claimed design.

**1 Claim, 5 Drawing Sheets**



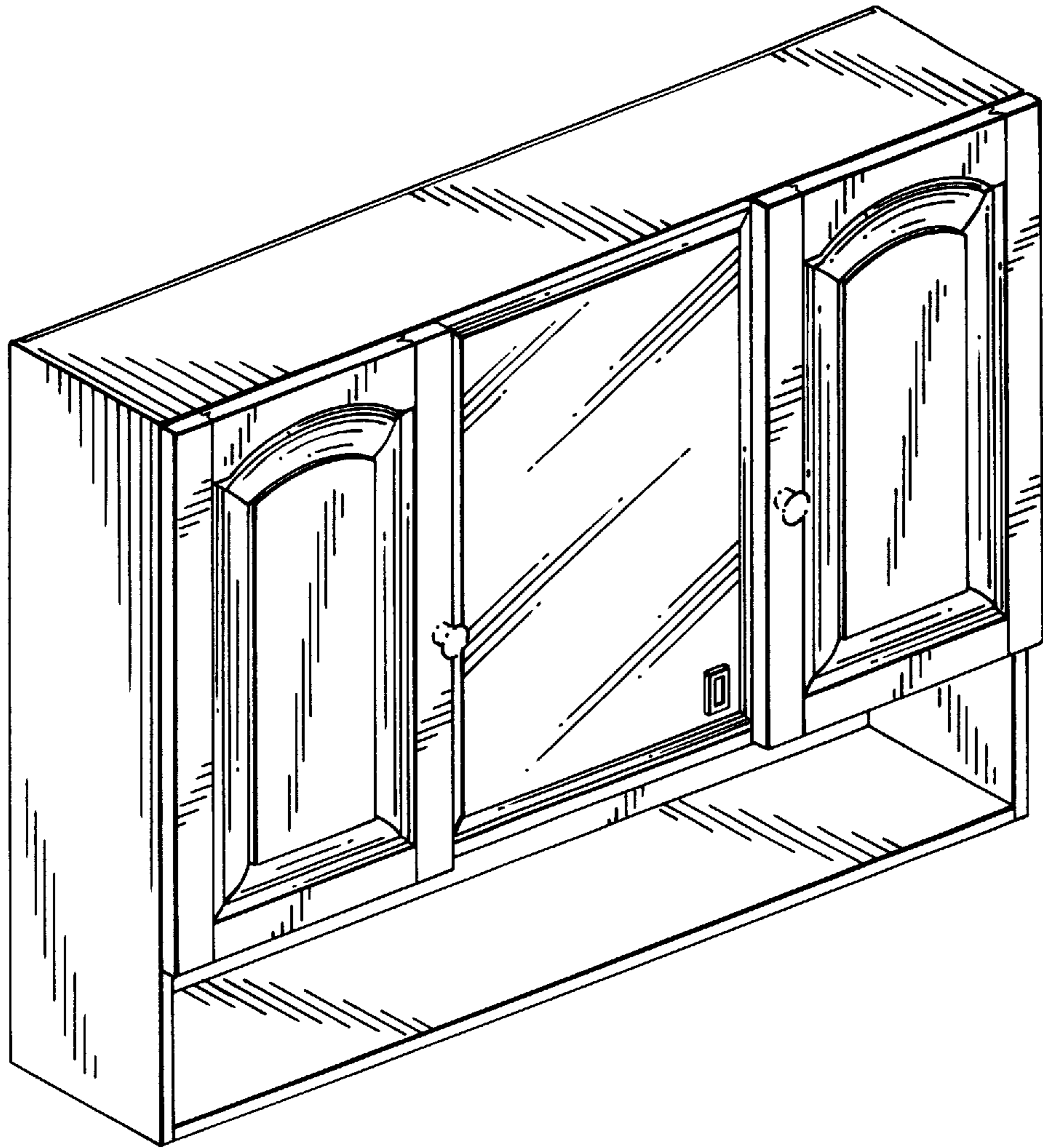


FIG. 1

FIG. 2

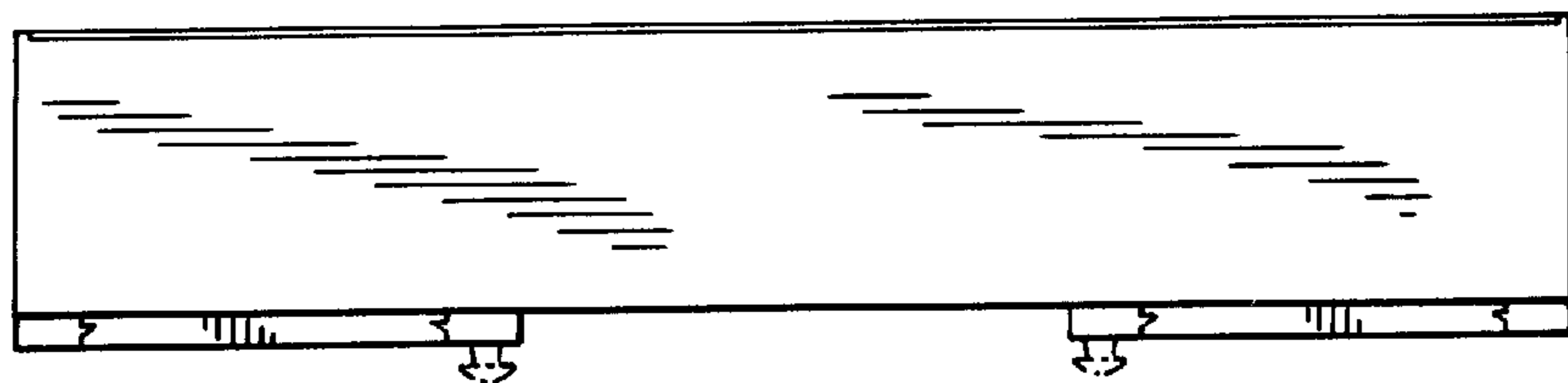


FIG. 3

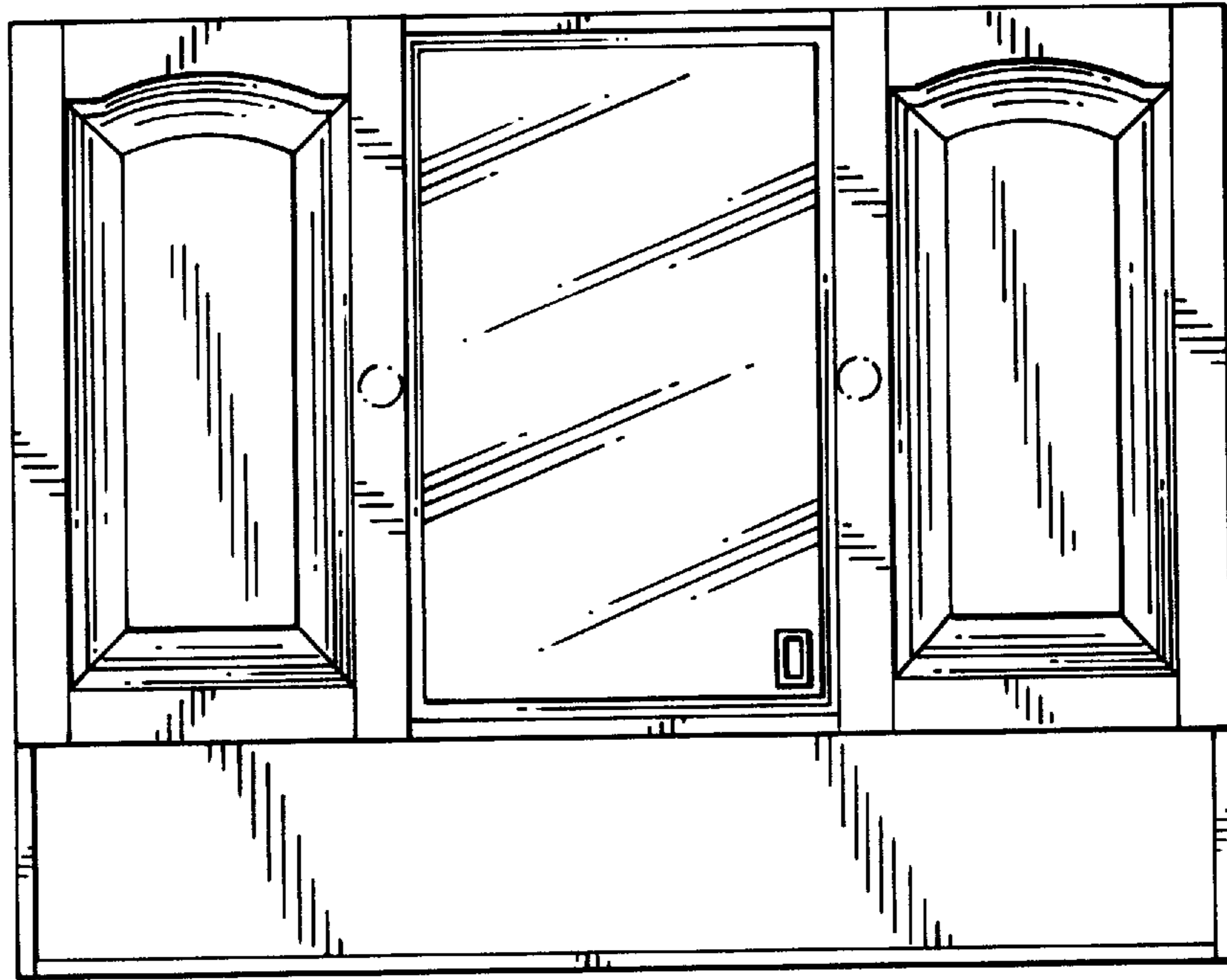


FIG. 4

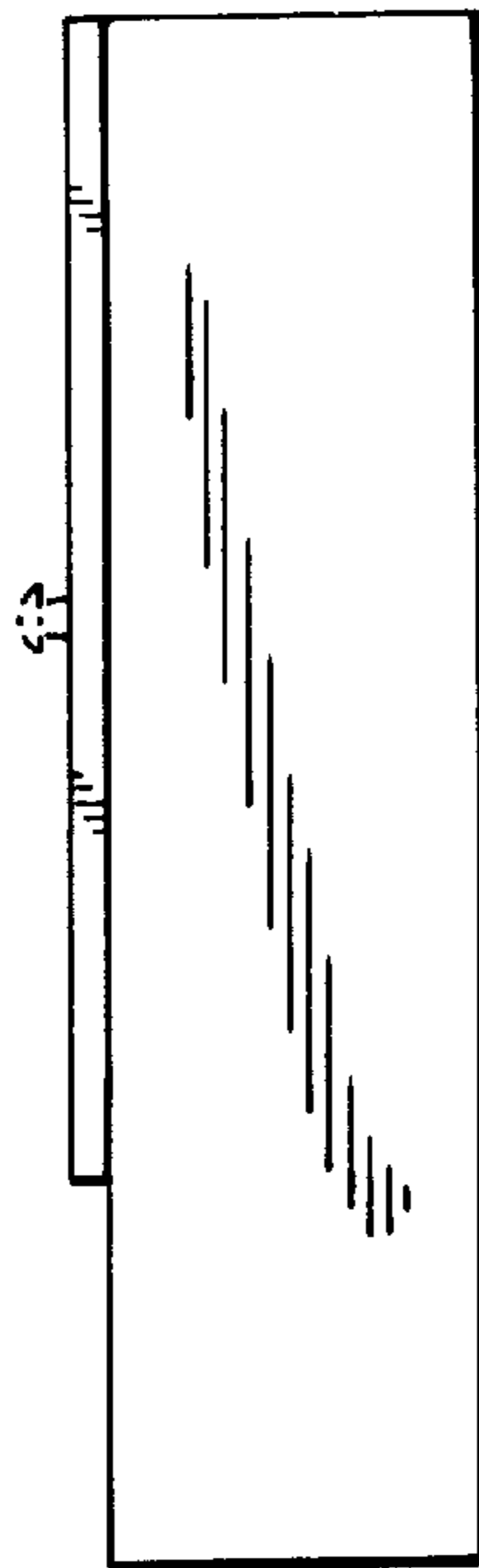


FIG. 5

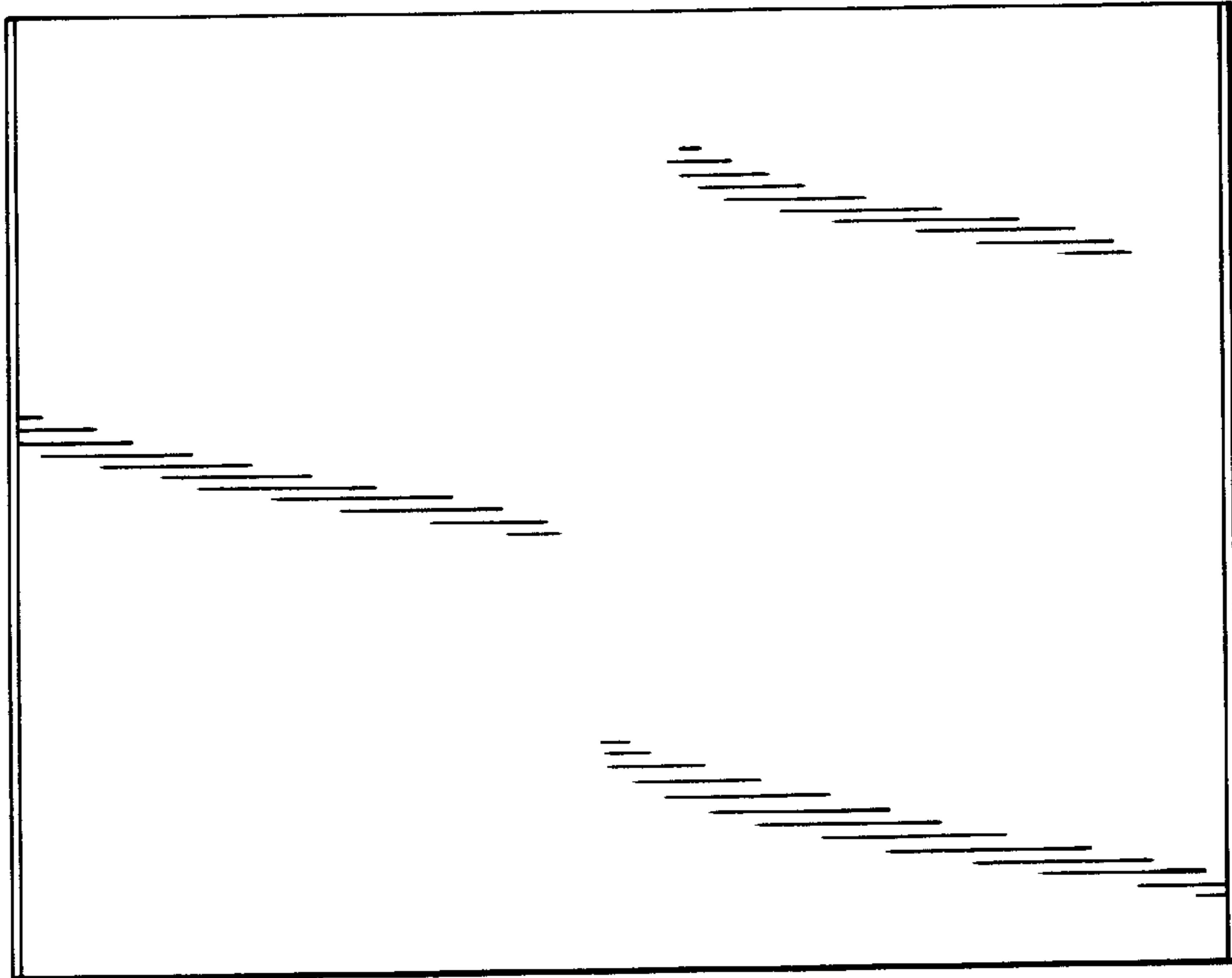
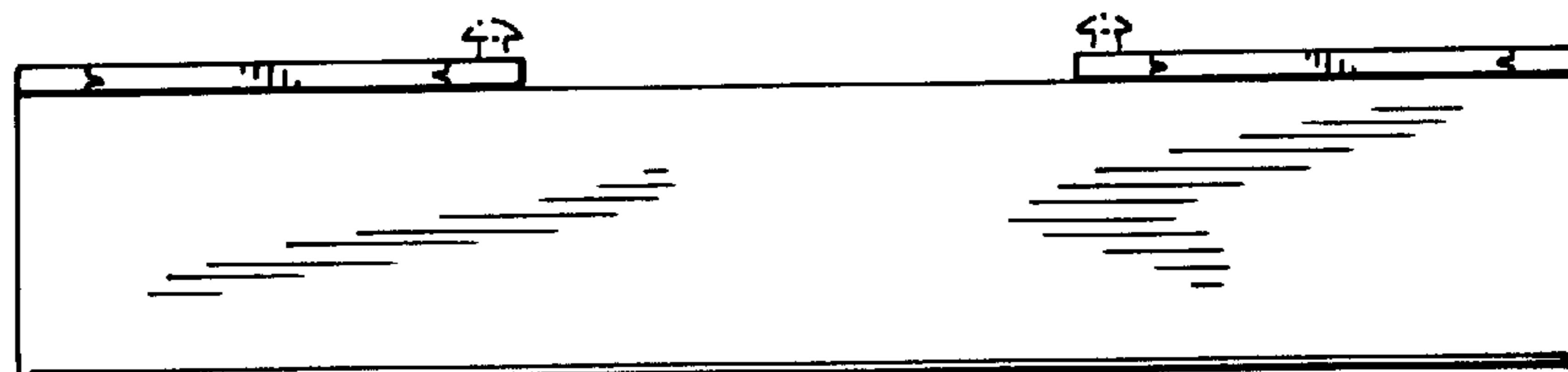


FIG. 6





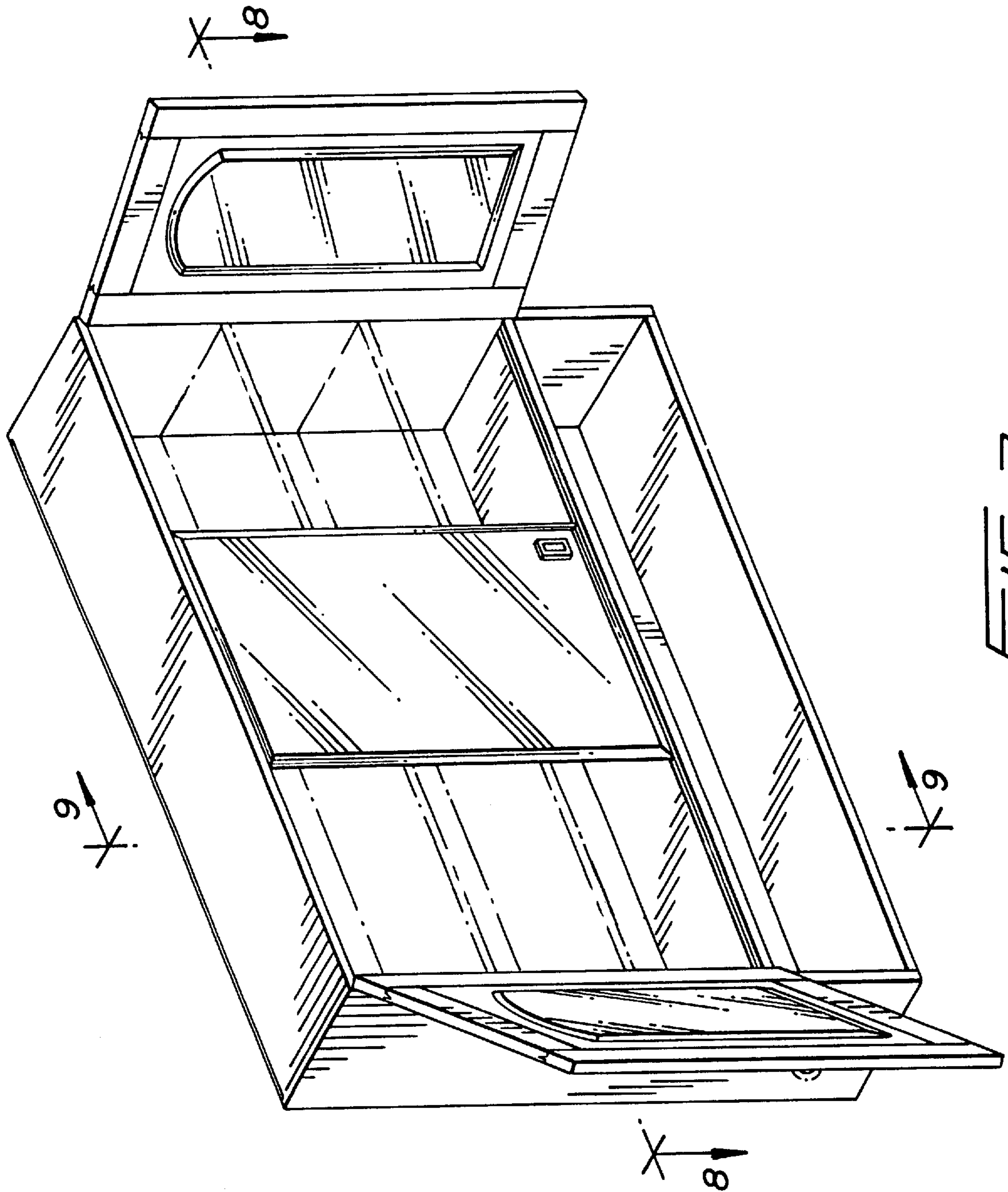


FIG. 7

FIG. 8

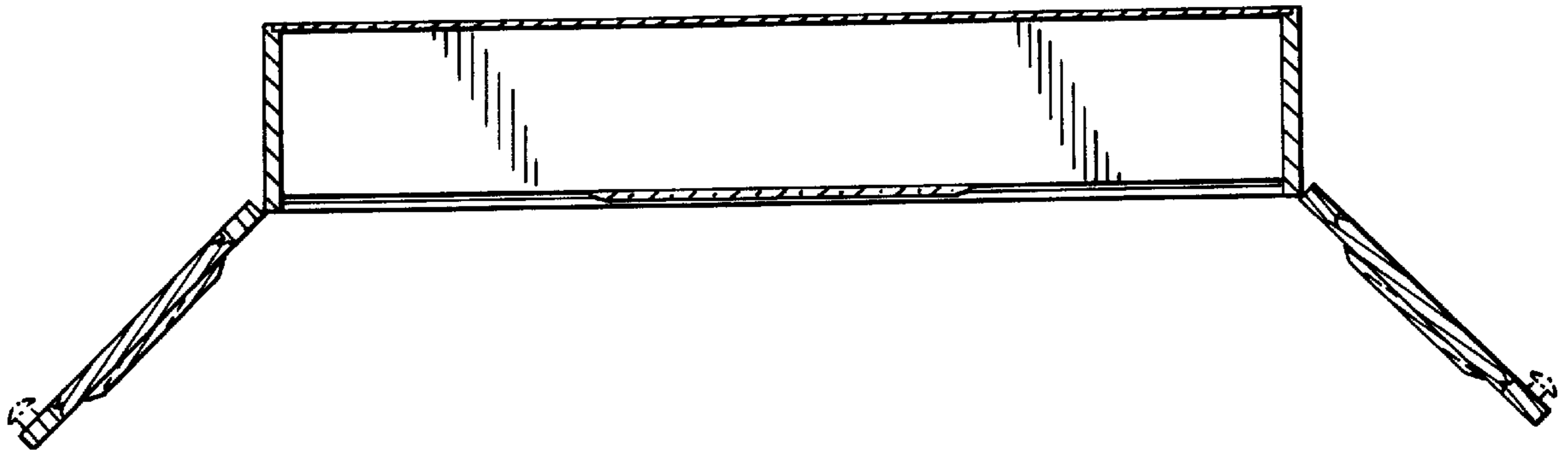


FIG. 9

