



US00D397895S

United States Patent [19]
Chen

[11] **Patent Number:** **Des. 397,895**

[45] **Date of Patent:** ****Sep. 8, 1998**

[54] **BATHROOM CABINET**

[76] Inventor: **Joe Chen**, 30 Bedminster Rd.,
Randolph, N.J. 07869

[**] Term: **14 Years**

[21] Appl. No.: **76,238**

[22] Filed: **Sep. 5, 1997**

[51] **LOC (6) Cl.** **06-04**

[52] **U.S. Cl.** **D6/561; D6/573**

[58] **Field of Search** 312/224, 226,
312/227, 245, 114, 242, 34.1, 7.2, 7.1,
21, 213, 223.1, 209, 204, 206; D6/561,
553, 559, 560, 567, 568, 569, 573; 211/87.01,
134

[56] **References Cited**

U.S. PATENT DOCUMENTS

D. 49,659	9/1916	Phelan	D6/559
D. 277,148	1/1985	Palka	D6/560
D. 326,974	6/1992	Grassie	D6/524
332,238	12/1885	Denton	211/134 X
809,592	1/1906	Watts, Jr.	312/242
1,876,407	9/1932	Frazier	312/242 X
3,462,207	8/1969	Newman et al.	312/209

Primary Examiner—Pamela Burgess
Attorney, Agent, or Firm—Dilworth & Barrese

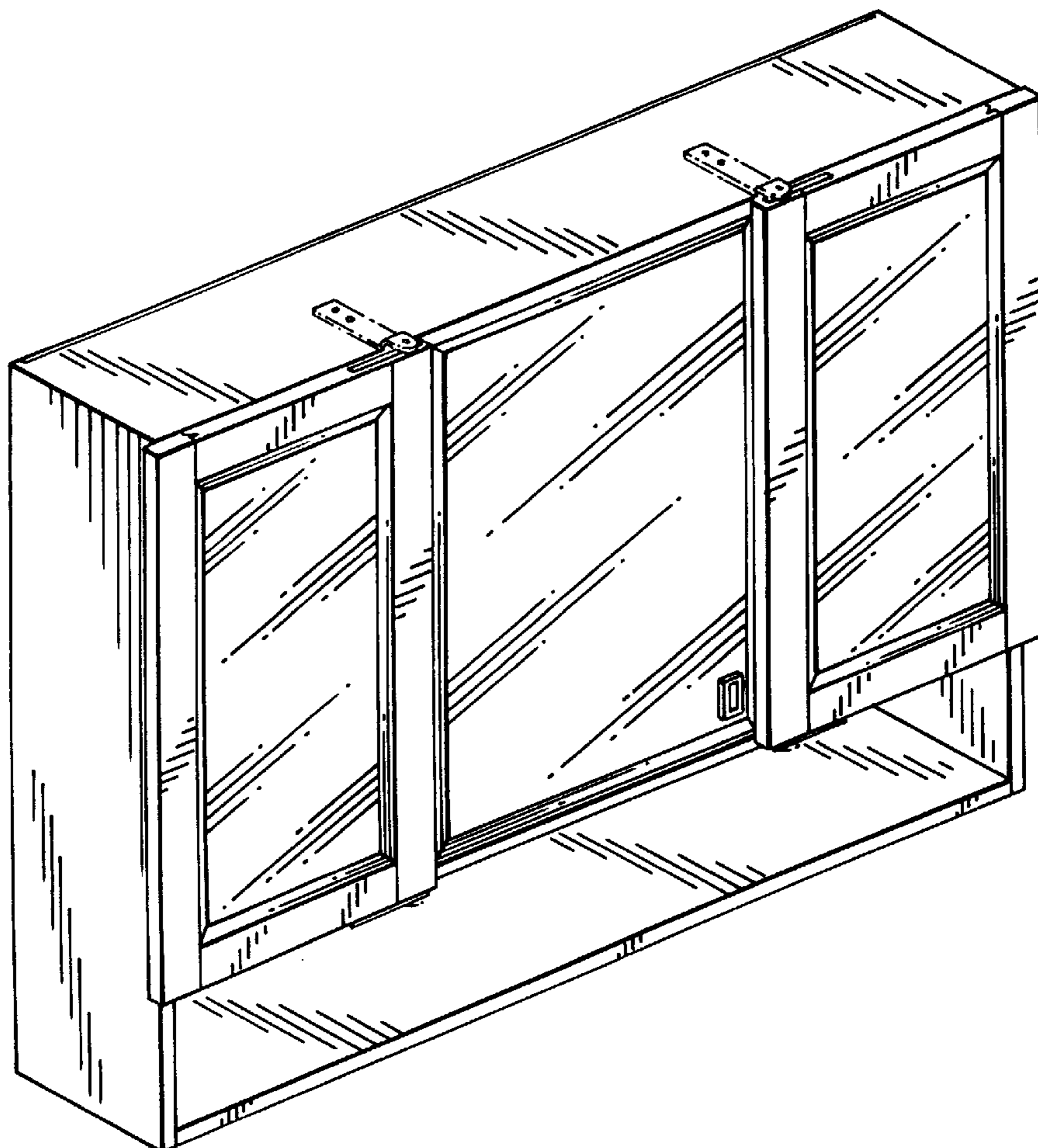
[57] **CLAIM**

The ornamental design of a bathroom cabinet, as shown and described.

DESCRIPTION

FIG. 1 is a perspective view of the bathroom cabinet;
FIG. 2 is top plan view of the bathroom cabinet;
FIG. 3 is a front elevational view of the bathroom cabinet;
FIG. 4 is a right side elevational view of the bathroom cabinet, the left side elevational view being a mirror image of the right side elevational view;
FIG. 5 is a rear elevational view of the bathroom cabinet;
FIG. 6 is a bottom view of the bathroom cabinet;
FIG. 7 is a perspective view of the bathroom cabinet with the doors open;
FIG. 8 is a sectional view of the bathroom cabinet taken along lines 8—8 in FIG. 7; and,
FIG. 9 is a sectional view of the bathroom cabinet taken along lines 9—9 in FIG. 7.
The broken lines shown are for illustrative purposes only and form no part of the claimed design.

1 Claim, 5 Drawing Sheets



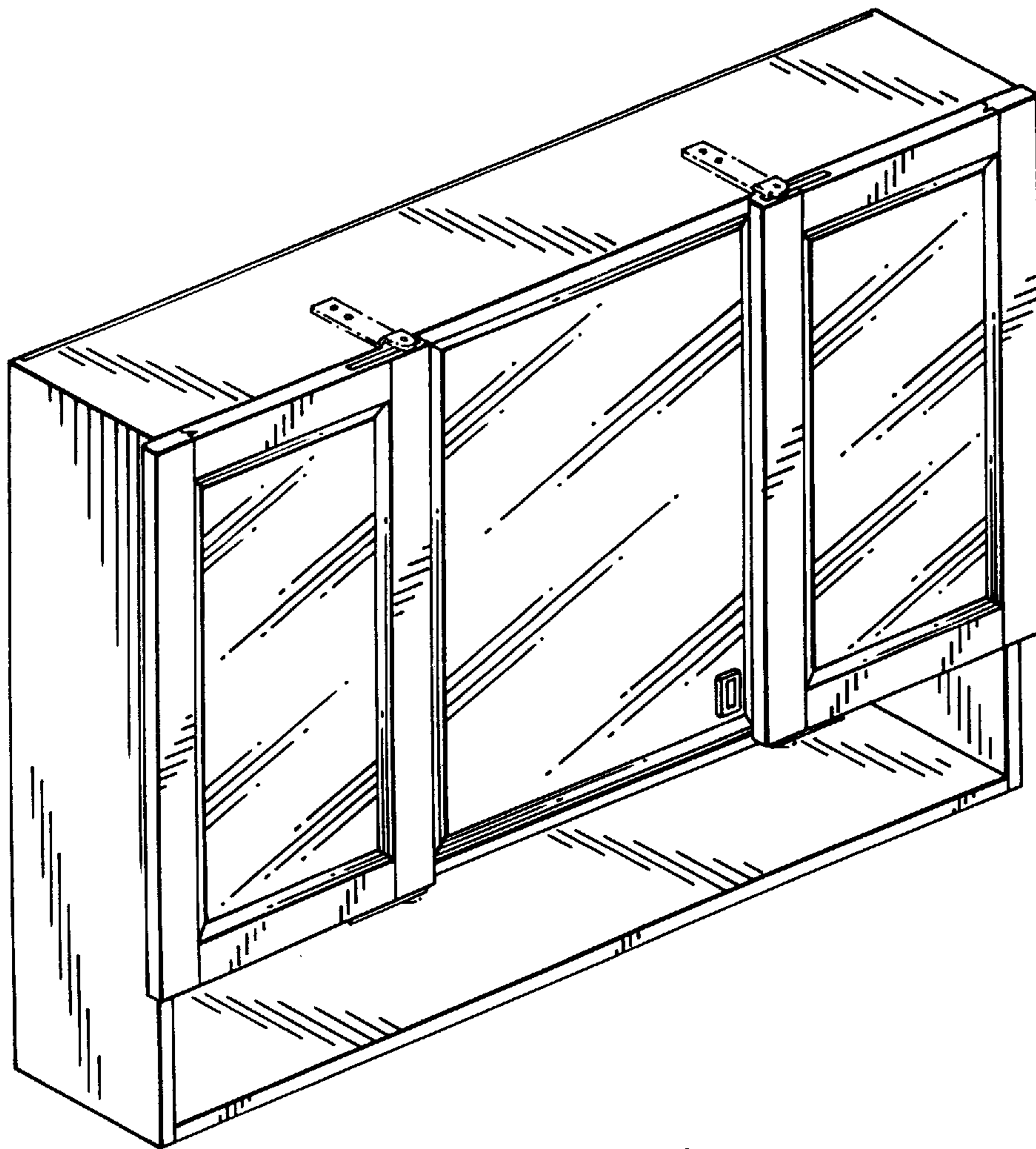


FIG. 1

FIG. 2

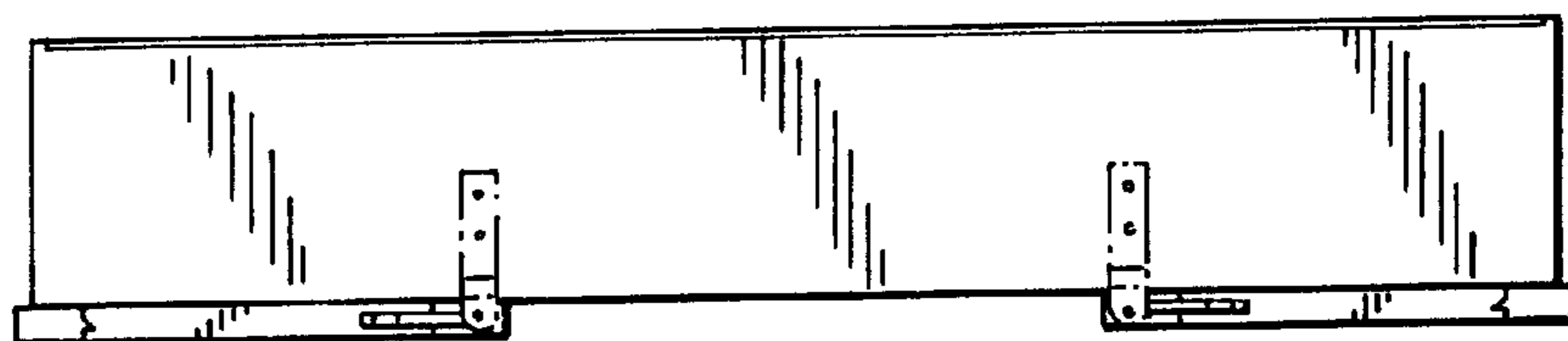


FIG. 3

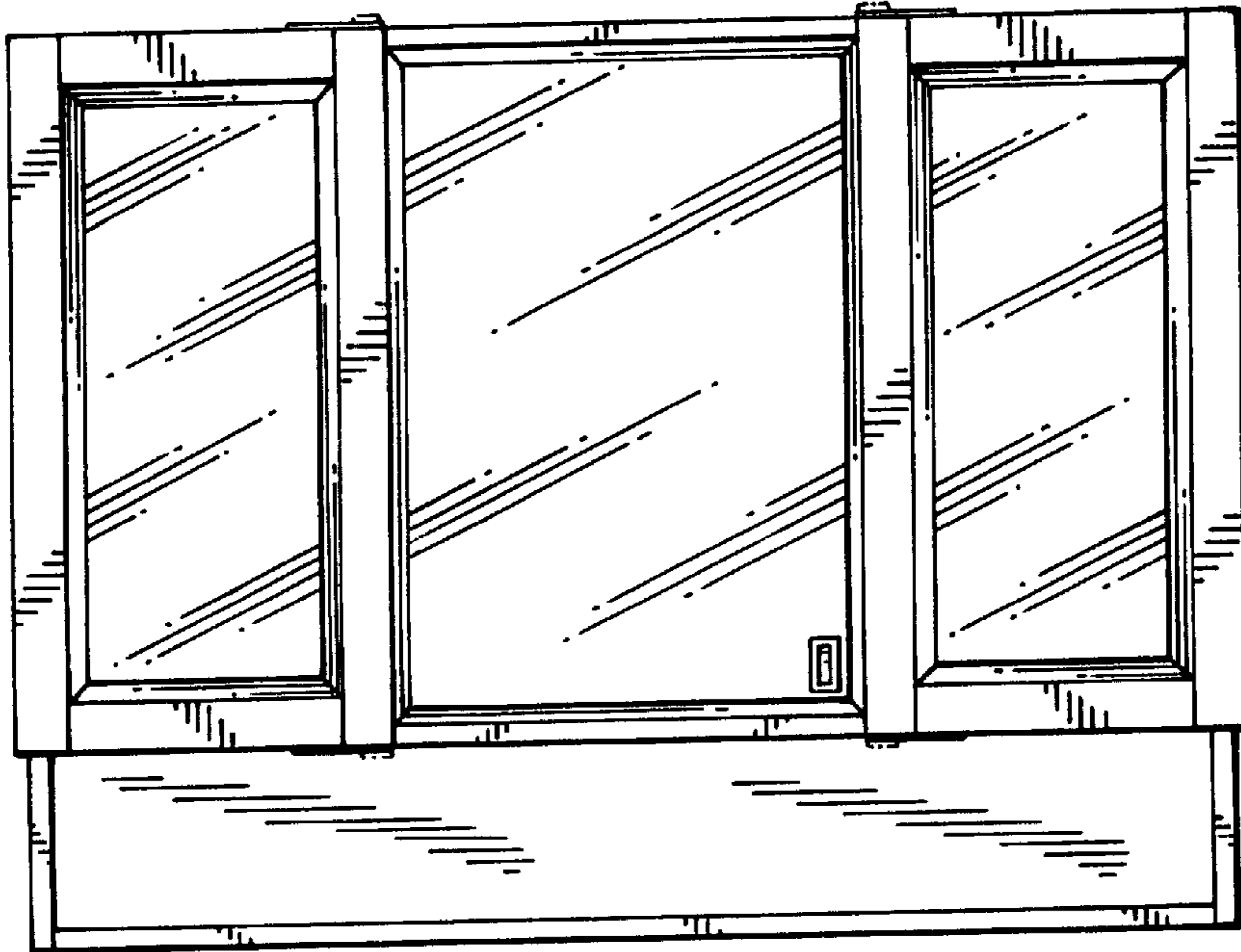


FIG. 4

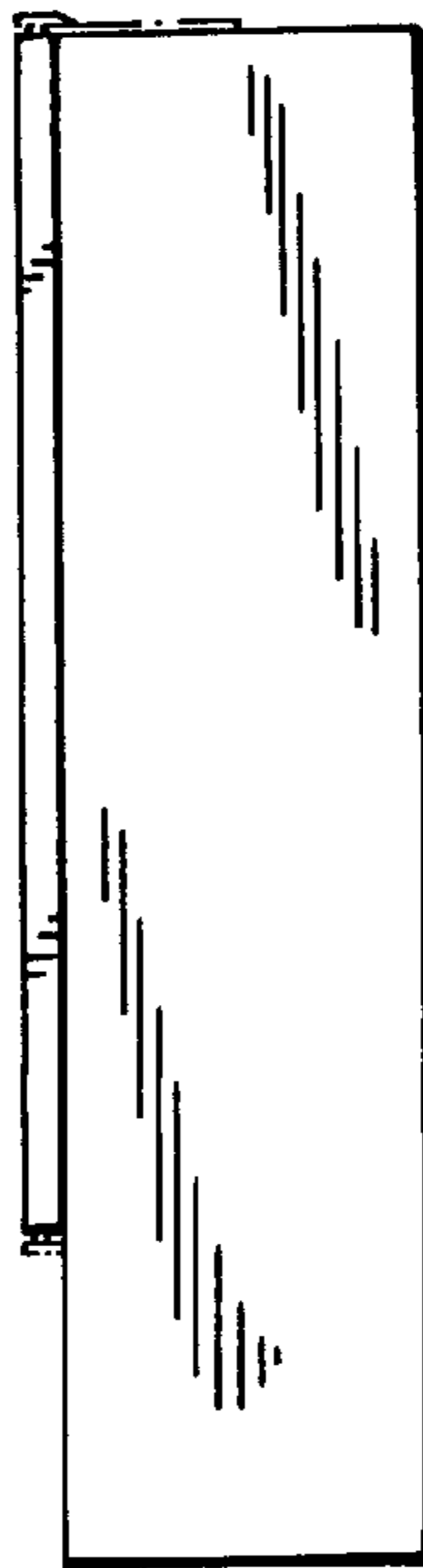


FIG. 5

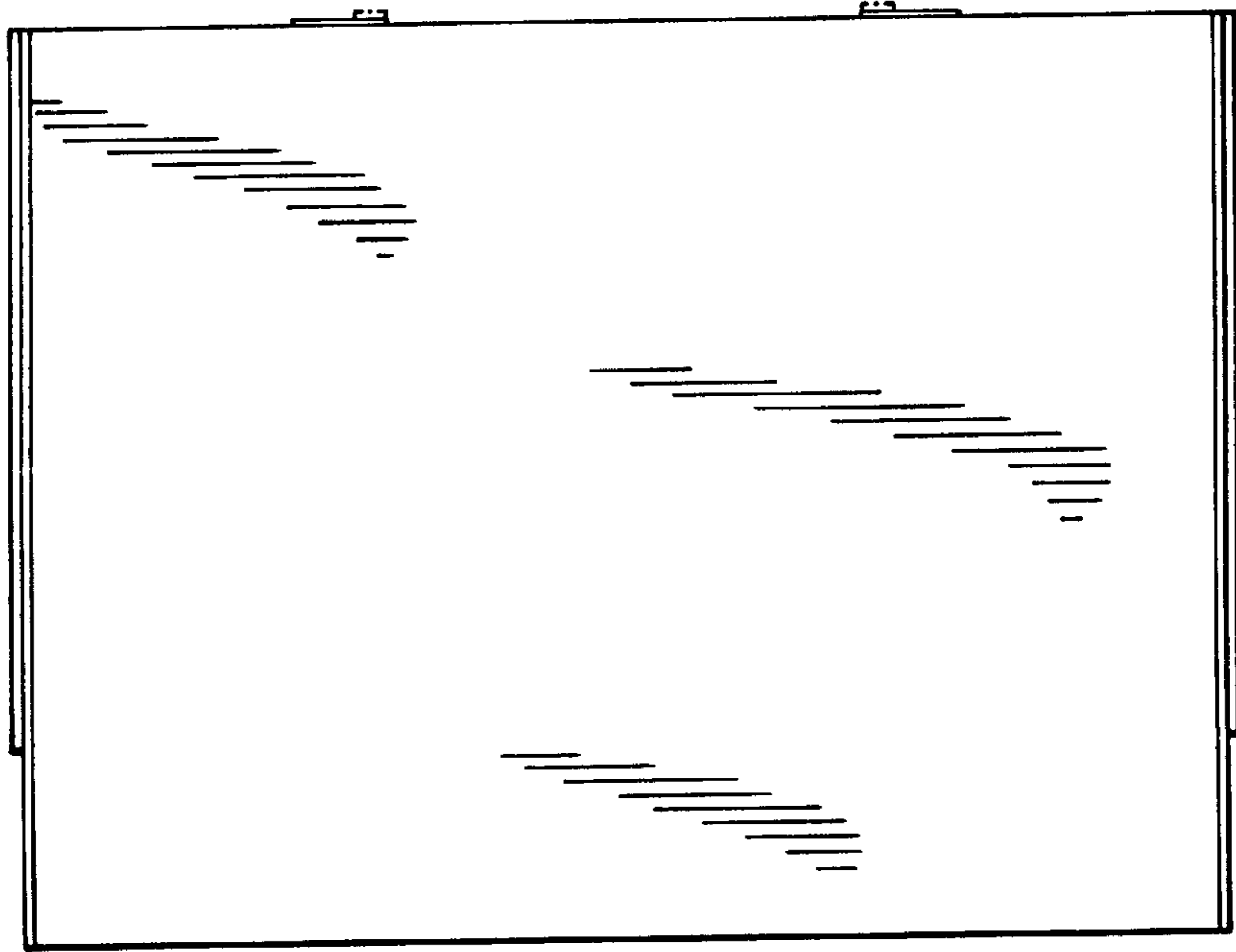
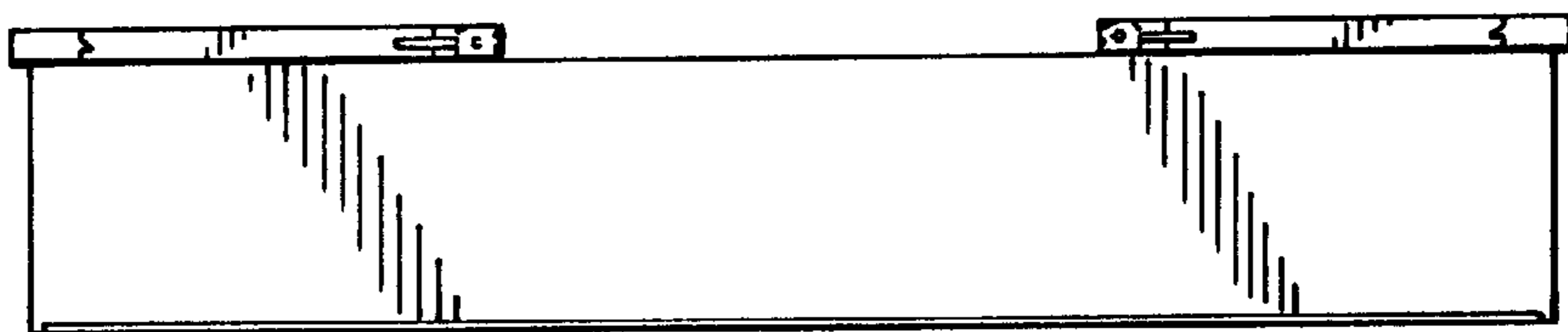


FIG. 6



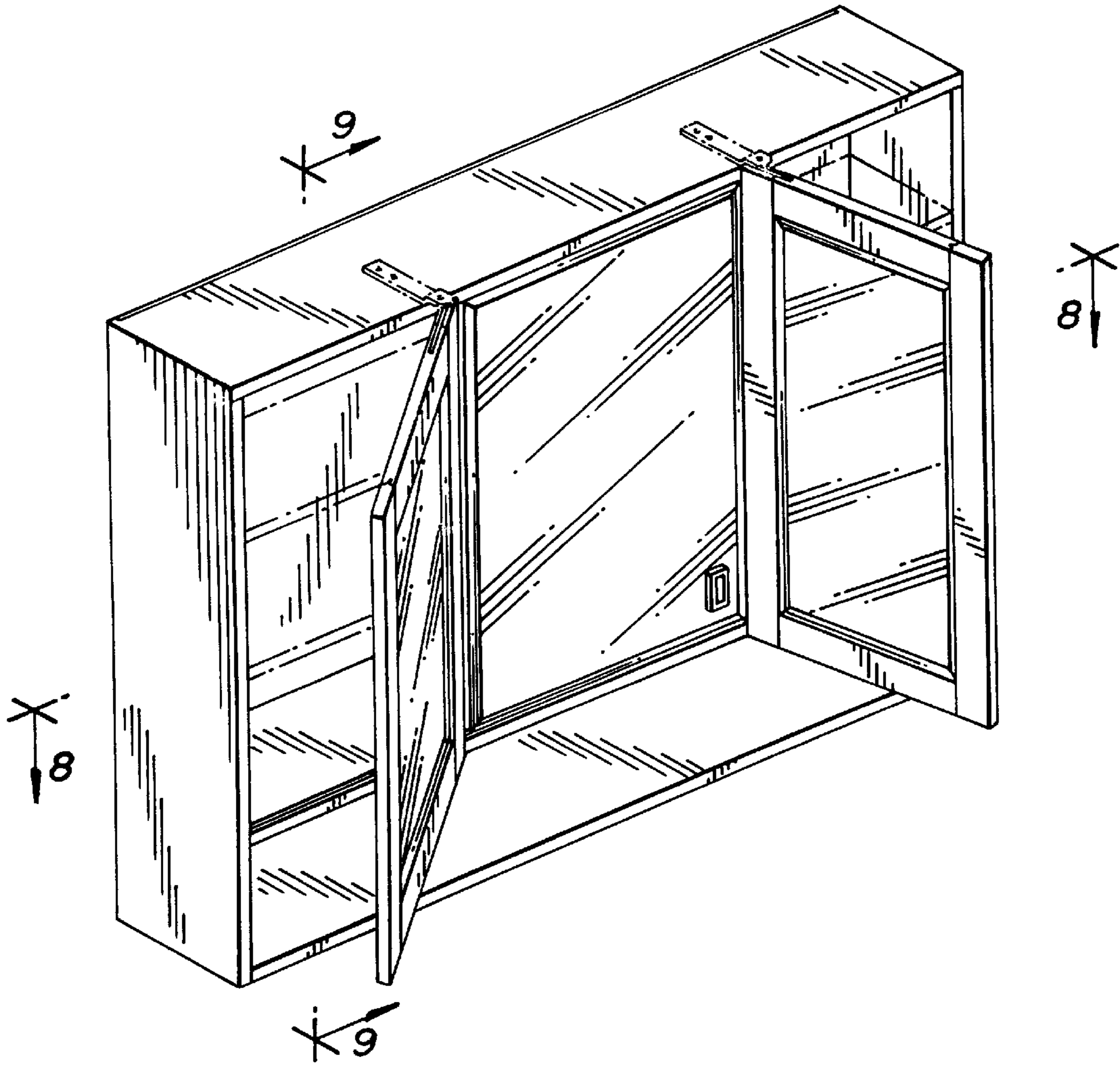


FIG. 7

FIG. 8

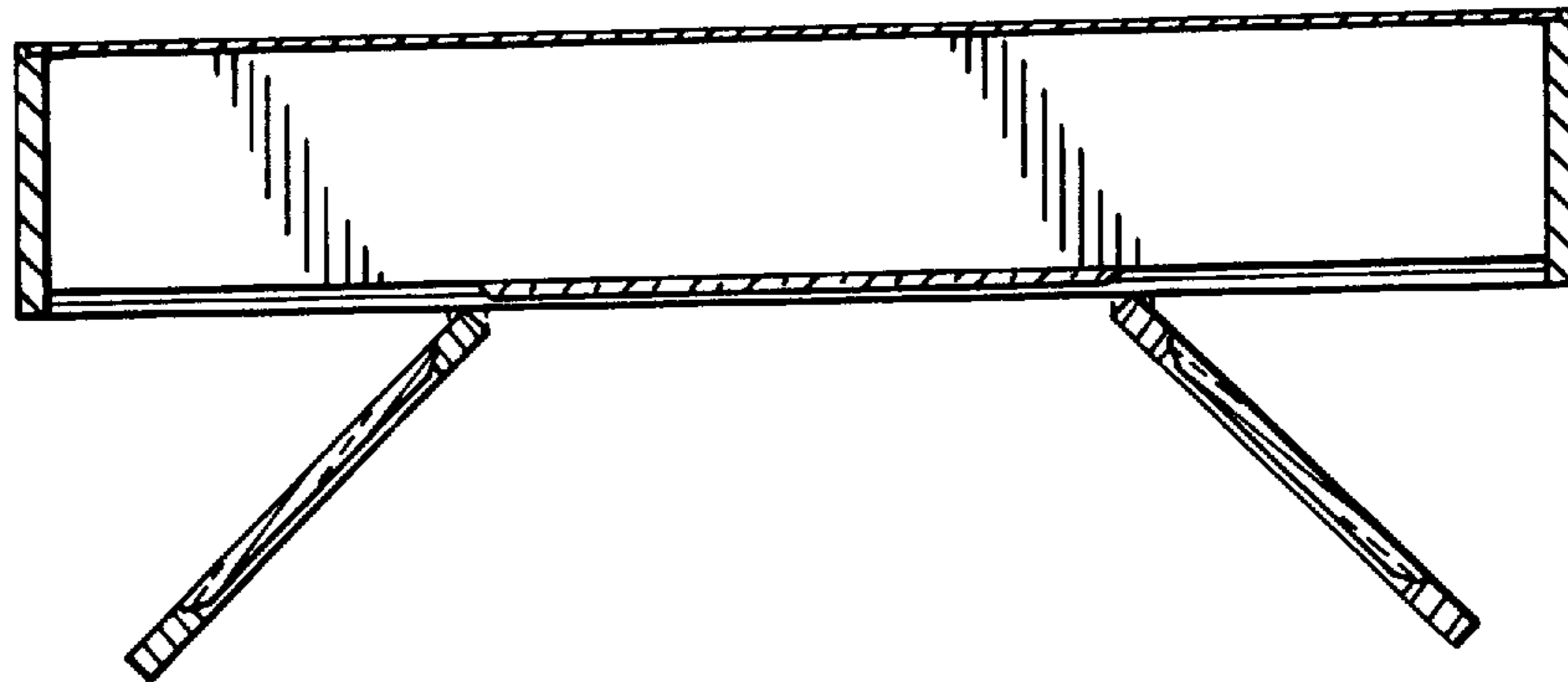


FIG. 9

