



US00D397893S

United States Patent [19]
Helmsderfer

[11] **Patent Number: Des. 397,893**
[45] **Date of Patent: **Sep. 8, 1998**

[54] **BABY DIAPER CHANGING STATION**

[76] Inventor: **John A. Helmsderfer**, 2151 Luray Ave., Cincinnati, Ohio 45206

[**] Term: **14 Years**

[21] Appl. No.: **80,557**

[22] Filed: **Dec. 4, 1997**

Related U.S. Application Data

[63] Continuation-in-part of Ser. No. 61,345, Oct. 22, 1996, Pat. No. Des. 391,794, and a continuation of Ser. No. 730,373, Oct. 15, 1996.

[51] **LOC (6) Cl. 08-08**

[52] **U.S. Cl. D6/555**

[58] **Field of Search** D6/553, 555, 559, D6/567, 574; 312/114, 126, 128-129, 204, 224, 231, 234, 242, 245; 211/13.1, 14, 34-35, 69.1, 70.6, 70.7, 90

References Cited

U.S. PATENT DOCUMENTS

- D. 179,871 3/1957 Wrablica, Jr. .
- D. 243,048 1/1977 Touchett et al. .
- D. 243,213 2/1977 Kormos .
- D. 246,682 12/1977 Nakao .
- D. 248,805 8/1978 Bridges .
- D. 249,991 10/1978 Bridges .
- D. 250,800 1/1979 Trossman .
- D. 251,039 2/1979 Reppas .
- D. 255,734 7/1980 Liebman .
- D. 260,827 9/1981 Sommer .
- D. 263,532 3/1982 Ferdinand et al. .
- D. 265,703 8/1982 Zaro .
- D. 267,843 2/1983 Sundberg .
- D. 272,402 1/1984 Marrujo .
- D. 274,105 6/1984 Brescia et al. .
- D. 277,819 3/1985 Crosslen .
- D. 283,189 4/1986 Hampton .
- D. 284,530 7/1986 Riehm .
- D. 284,531 7/1986 Riehm .
- D. 284,723 7/1986 Morris et al. .
- D. 287,200 12/1986 Gecchelin .
- D. 287,318 12/1986 Garduno .
- D. 293,403 12/1987 Umanoff et al. .

- D. 293,404 12/1987 Murphy .
- D. 294,096 2/1988 Murphy .
- D. 295,007 4/1988 Hardy et al. .
- D. 299,687 2/1989 Handler et al. .
- D. 302,088 7/1989 Burt .
- D. 302,772 8/1989 Friedman D6/555
- D. 312,185 11/1990 Prater, Sr. .
- D. 313,516 1/1991 Socher .
- D. 314,112 1/1991 Dainty .
- D. 314,486 2/1991 Day .
- D. 318,307 7/1991 Hahn et al. .
- D. 322,531 12/1991 Hobson .
- D. 325,309 4/1992 Worrell .

(List continued on next page.)

Primary Examiner—Brian N. Vinson
Attorney, Agent, or Firm—Wood, Herron & Evans, LLP

[57] **CLAIM**

The ornamental design for a baby diaper changing station, as shown and described.

DESCRIPTION

FIG. 1 is a perspective view of the baby diaper changing station design in an opened position on a wall and incorporating the new design of the invention, shown in full lines, with the broken lines illustrating the environment of the design;

FIG. 2 is a perspective view thereof in a closed position on a wall;

FIG. 3 is a front elevational view thereof in a closed position on a wall;

FIG. 4 is a side elevational view thereof in an opened position on a wall with the other side elevational view being a mirror image;

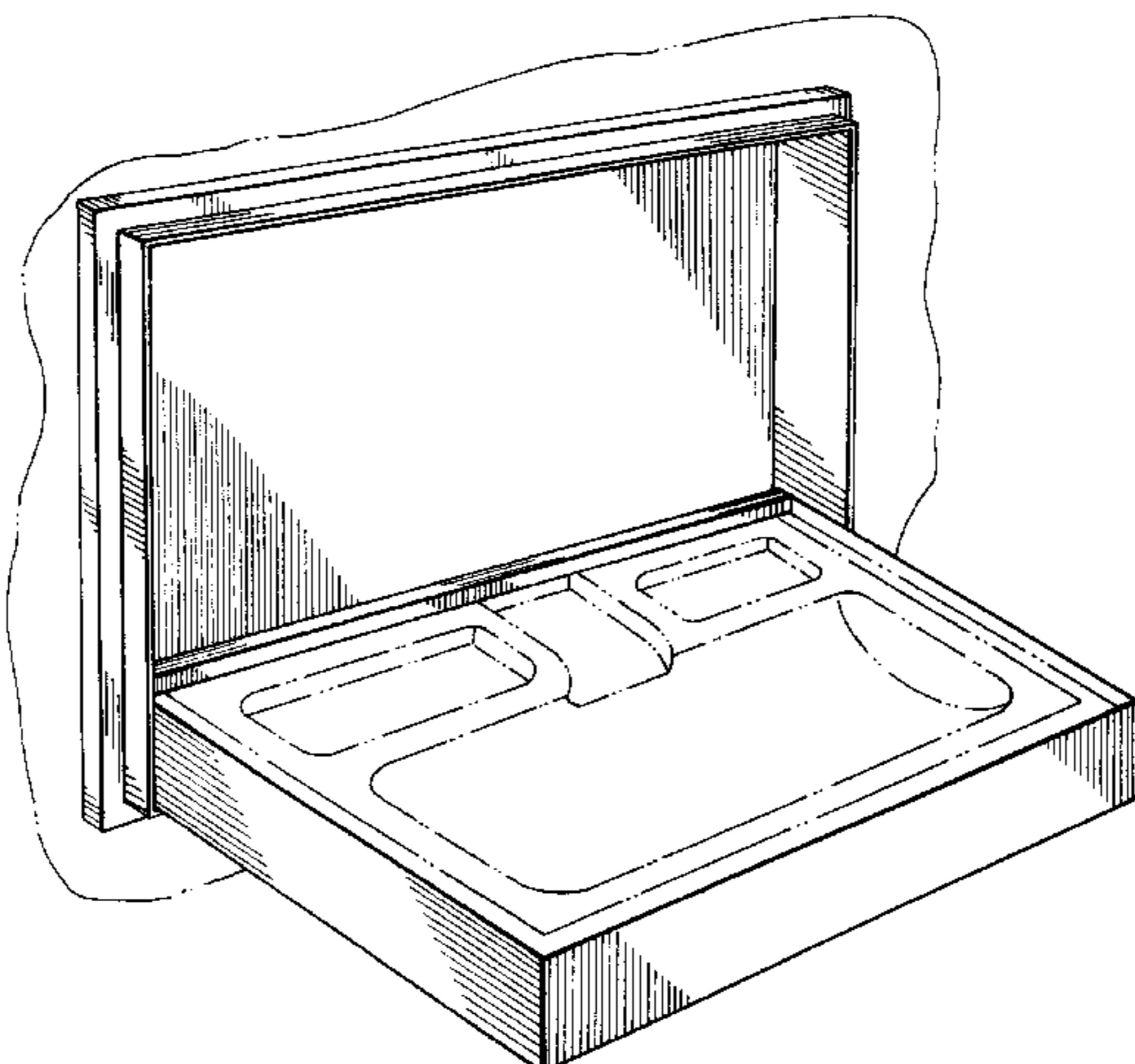
FIG. 5 is a front elevational view thereof in an opened position on a wall;

FIG. 6 is a top view thereof in an opened position on a wall;

FIG. 7 is a side elevational view thereof in a closed position on a wall with the other side elevational view being a mirror image; and,

FIG. 8 is a top elevational view thereof in a closed position on a wall with the other side elevational view being a mirror image.

1 Claim, 3 Drawing Sheets



U.S. PATENT DOCUMENTS					
			4,205,669	6/1980	Hamann .
			4,216,951	8/1980	Griffin .
			4,522,381	6/1985	Ludwick .
			4,527,830	7/1985	Meyers .
			4,633,789	1/1987	Kortering et al. .
			4,648,766	3/1987	Wollar .
			4,712,258	12/1987	Eves .
			4,723,493	2/1988	Siani et al. .
			4,788,726	12/1988	Rafalko .
			4,796,314	1/1989	Garduno .
			4,953,312	9/1990	Astolfi .
			4,965,896	10/1990	Berger et al. .
			4,972,532	11/1990	Juan .
			4,978,093	12/1990	Kennedy .
			5,072,979	12/1991	Swinton .
			5,081,724	1/1992	Takahashi et al. .
			5,082,336	1/1992	Munch et al. D6/555 X
			5,084,927	2/1992	Parkevich .
			5,161,270	11/1992	Najmabadi .
			5,265,296	11/1993	Abbas et al. .
D. 325,826	5/1992	Brunner et al. .			
D. 326,384	5/1992	Burt et al. .			
D. 327,786	7/1992	Ferrell .			
D. 329,950	10/1992	Takahashi et al. .			
D. 330,986	11/1992	Lau D6/553			
D. 332,197	1/1993	Chase .			
D. 333,389	2/1993	Saito et al. .			
D. 333,923	3/1993	Dainty .			
D. 336,192	6/1993	Wedeking .			
D. 338,110	8/1993	Peay .			
D. 344,869	3/1994	Paradis et al. .			
1,576,034	3/1926	Butt 211/90			
2,174,363	9/1939	Eubank .			
2,735,737	2/1956	Hancock .			
3,656,193	4/1972	Schneider et al. .			
3,693,293	9/1972	Egan, Jr. et al. .			
4,074,635	2/1978	Stauble .			
4,125,192	11/1978	Dayen .			
4,133,063	1/1979	Jones-Steele .			
4,155,609	5/1979	Skafitke et al. 312/245			

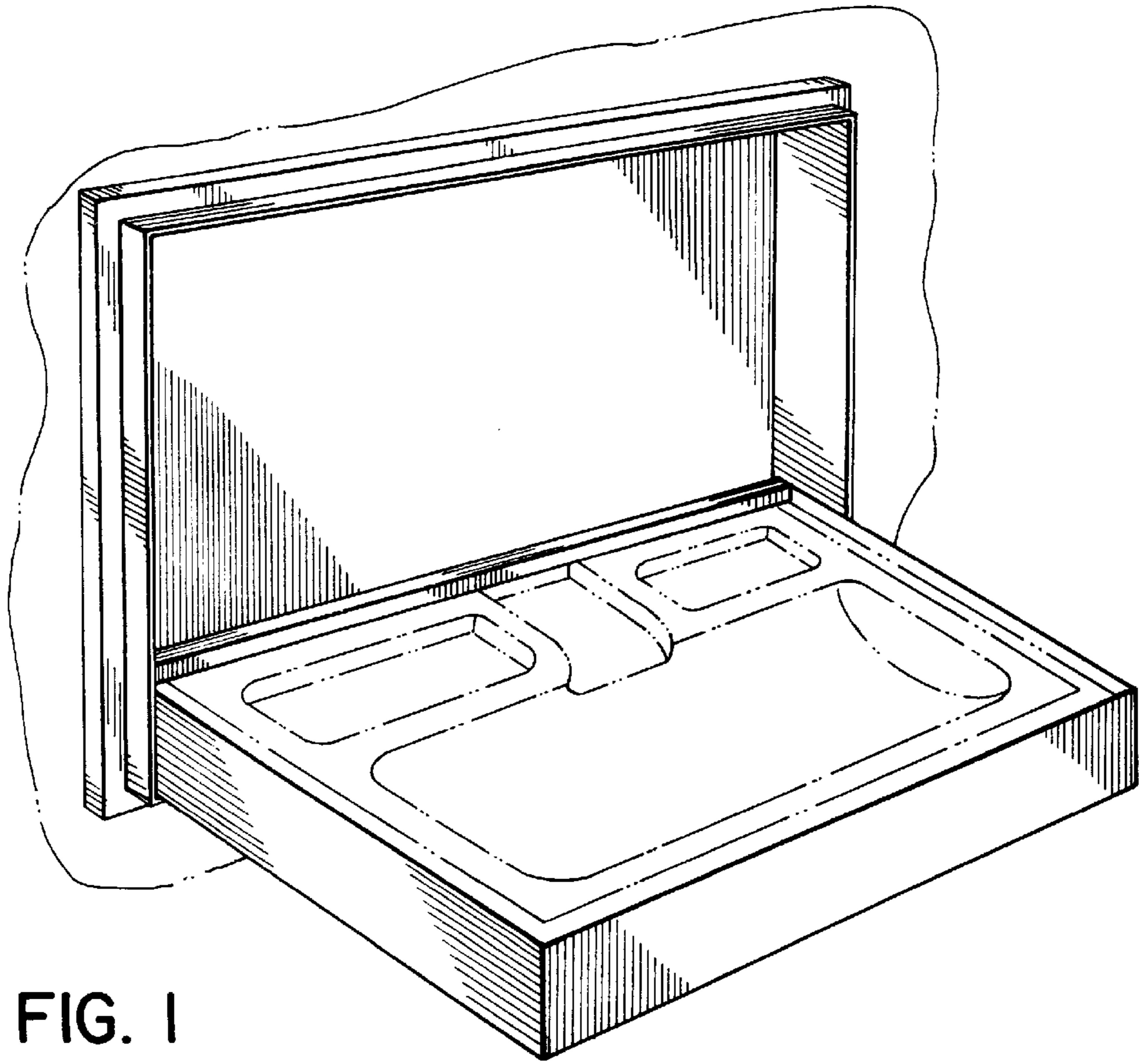


FIG. 1

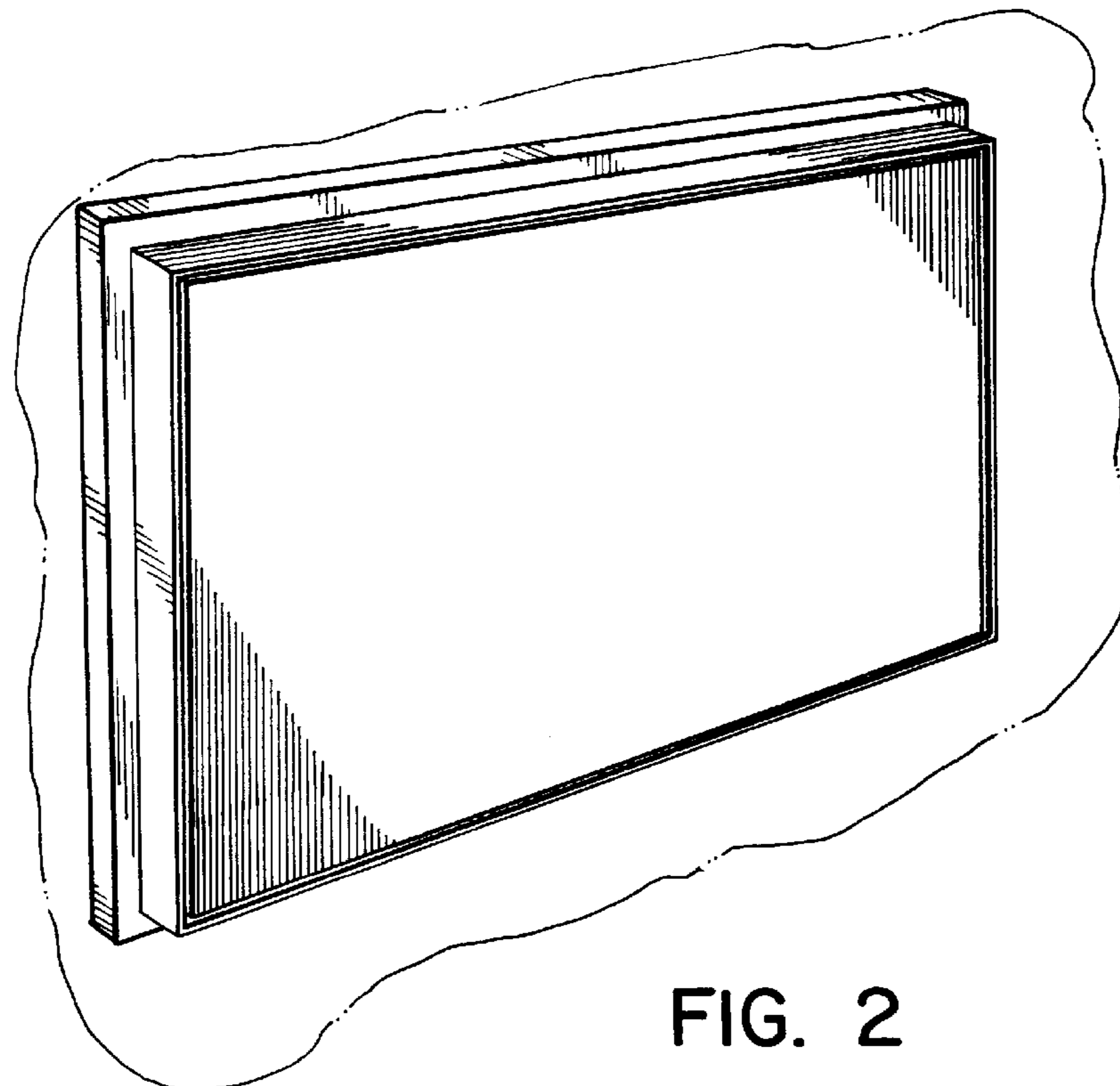


FIG. 2

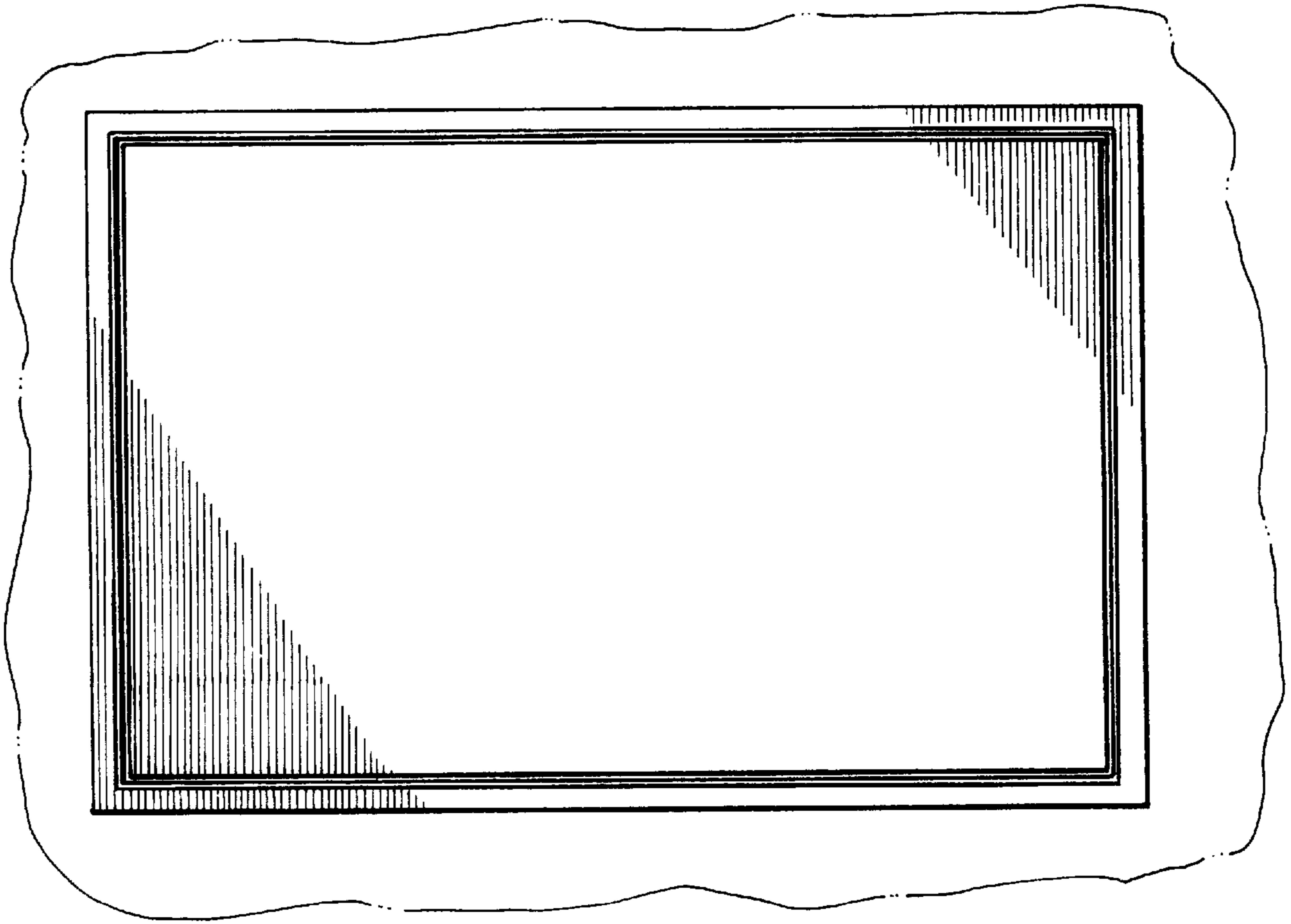


FIG. 3

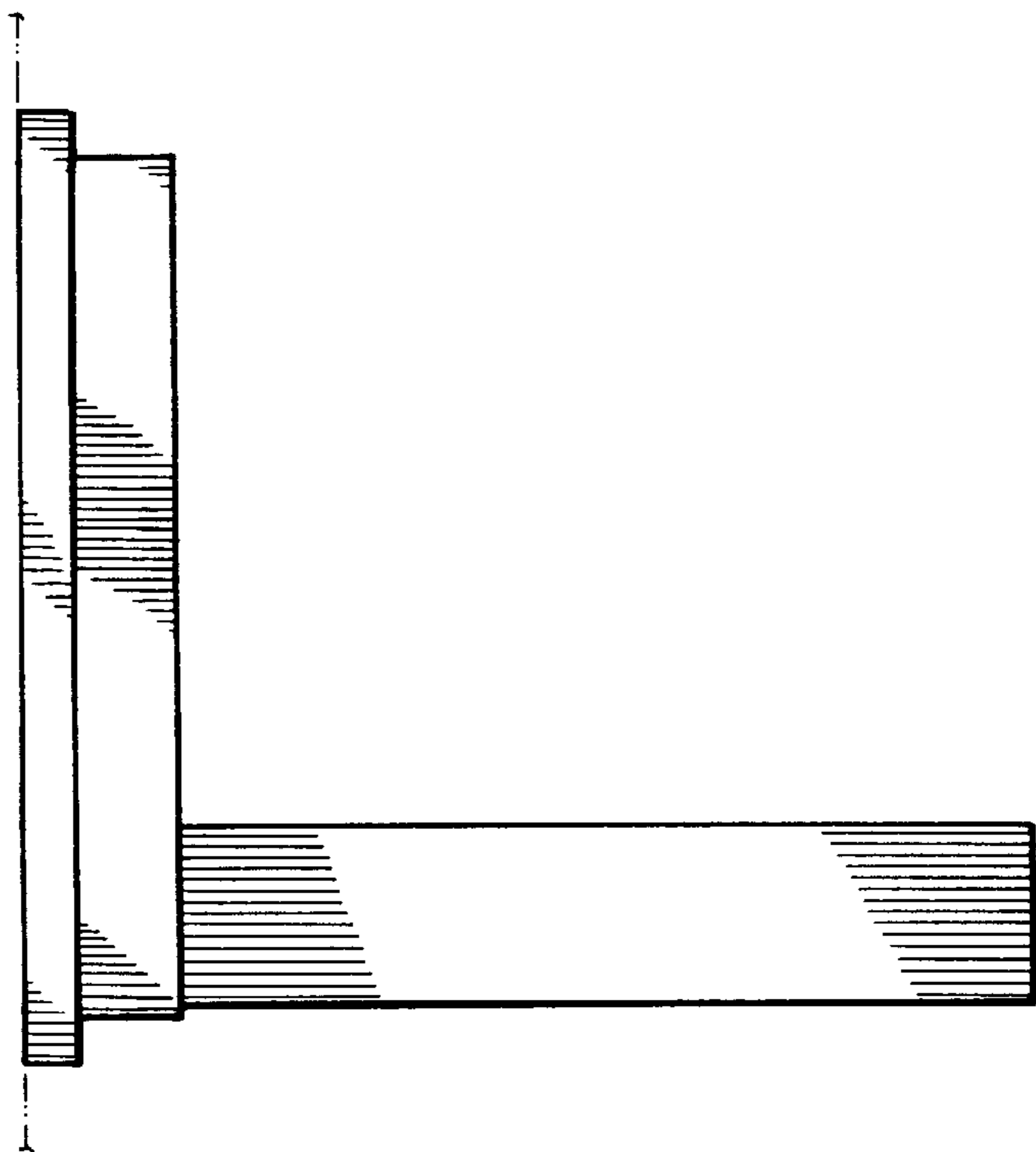


FIG. 4

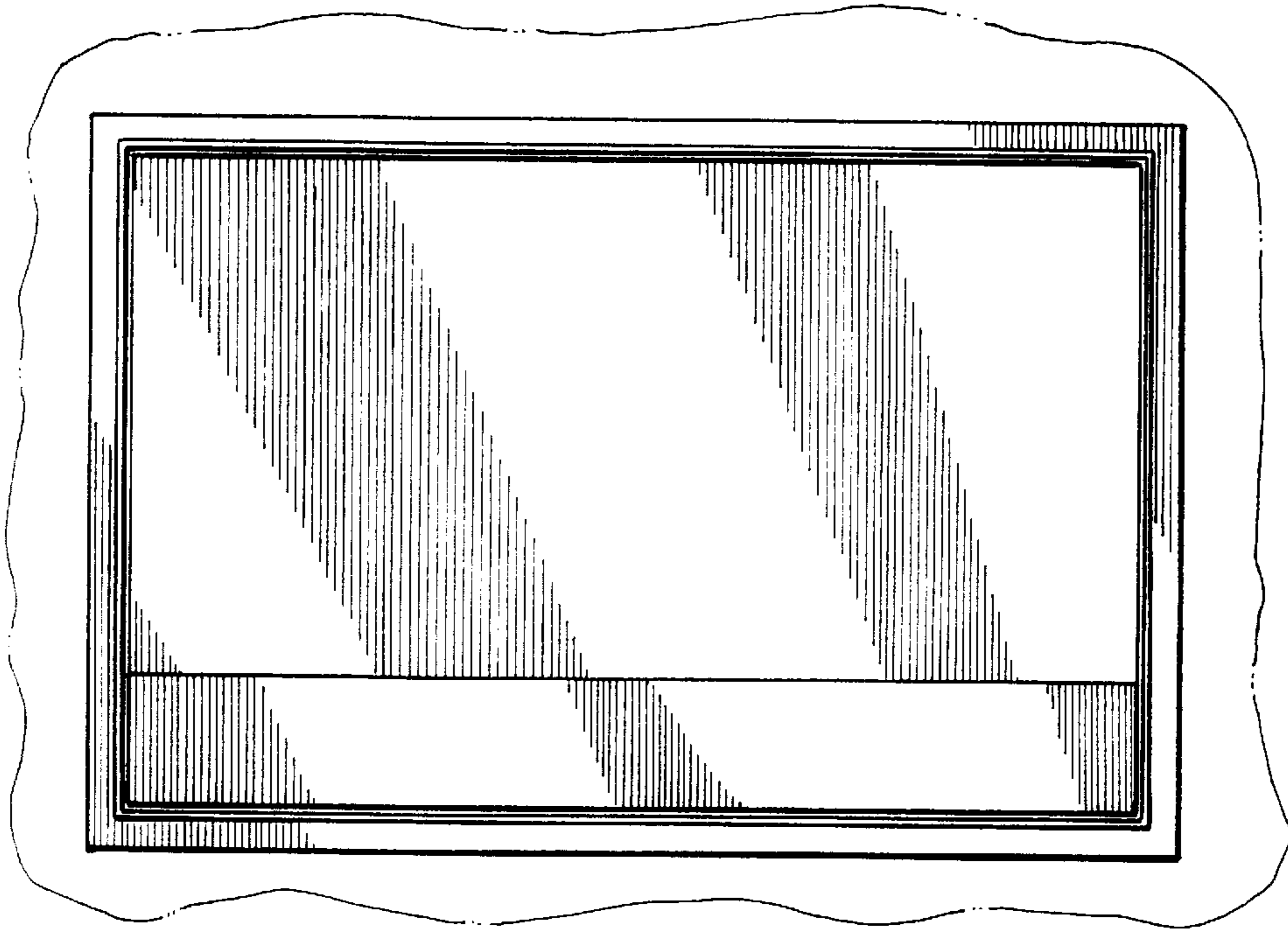


FIG. 5

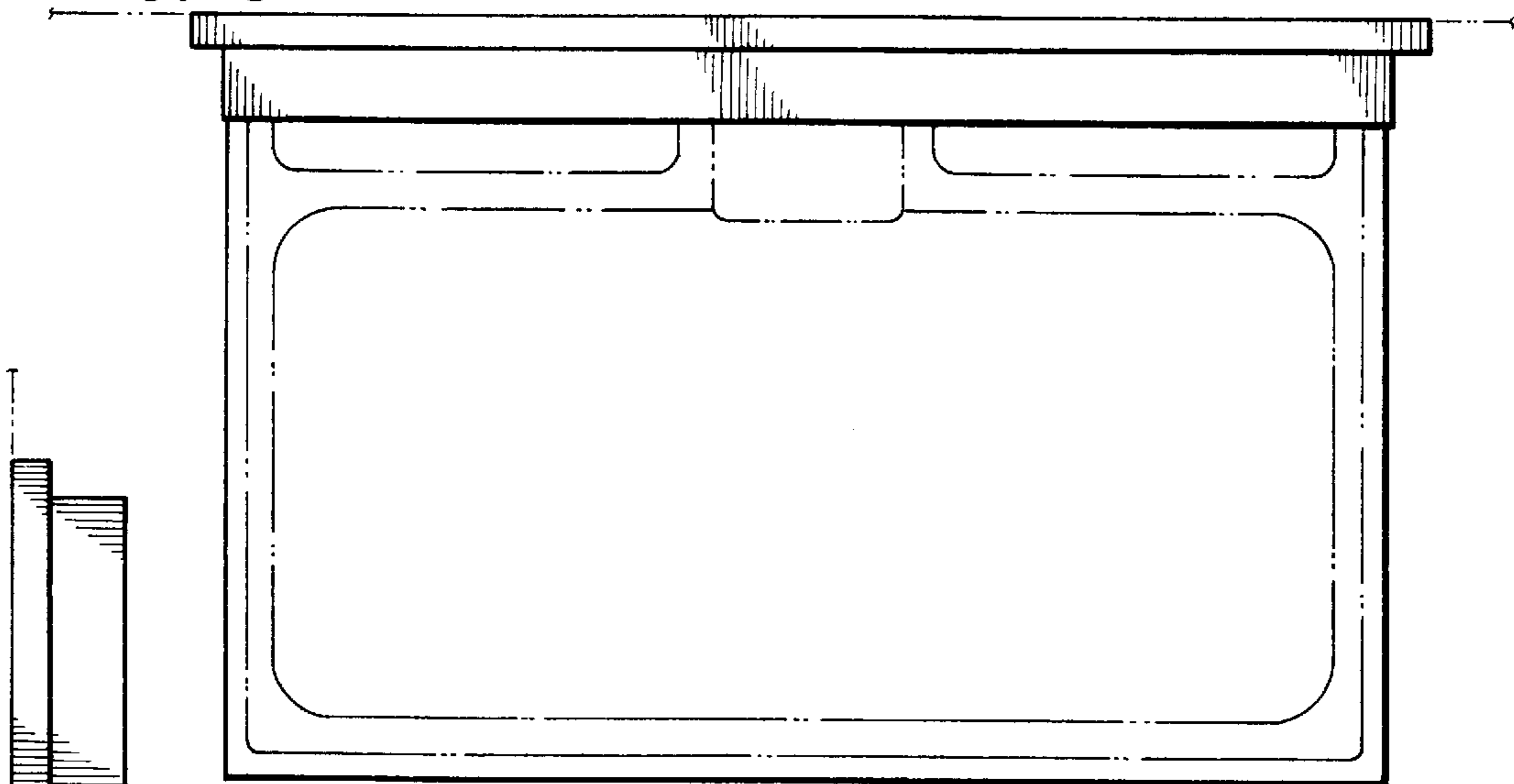


FIG. 6



FIG. 7

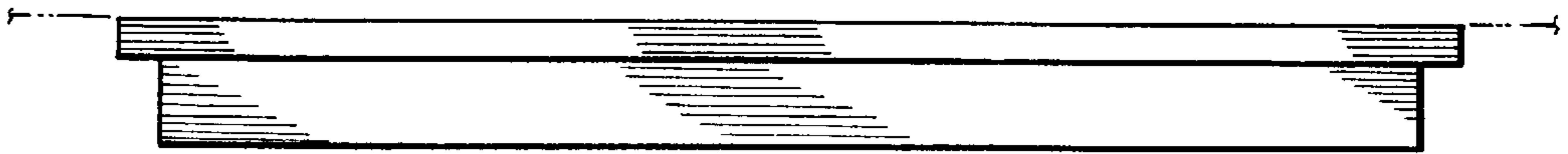


FIG. 8