



US00D397892S

United States Patent [19]
Shaha

[11] **Patent Number: Des. 397,892**

[45] **Date of Patent: **Sep. 8, 1998**

[54] **WALL-MOUNTED FOLDING BICYCLE RACK**

D. 344,868 3/1994 Martinell D6/552
4,834,248 5/1989 Lee 211/13.1 X

[75] Inventor: **Kevin B. Shaha**, Laclede, Id.

Primary Examiner—Brian N. Vinson
Attorney, Agent, or Firm—Bennet K. Langlotz

[73] Assignee: **Racor, Inc.**, Sandpoint, Id.

[57] **CLAIM**

[**] Term: **14 Years**

The ornamental design for a wall-mounted folding bicycle rack, as shown and described.

[21] Appl. No.: **77,419**

DESCRIPTION

[22] Filed: **Sep. 26, 1997**

[51] **LOC (6) Cl.** **08-08**

[52] **U.S. Cl.** **D6/552**

[58] **Field of Search** D6/552, 553, 566;
211/13.1, 17-19, 86-87, 89; 248/335, 302,
309.1

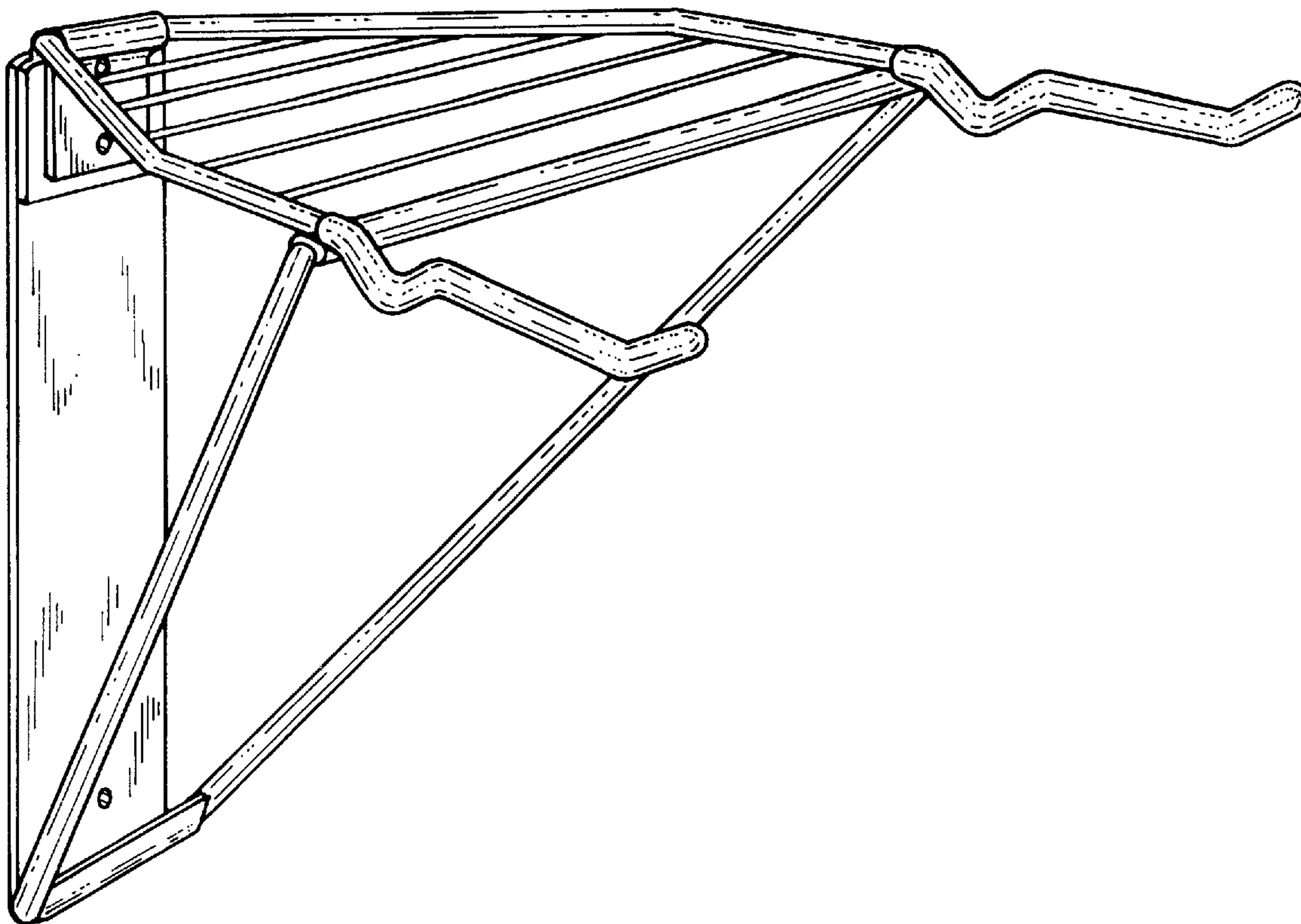
FIG. 1 is a top front perspective view of a preferred embodiment of the invention of a wall-mounted folding bicycle rack showing my new design;
FIG. 2 is a top view of the embodiment of FIG. 1;
FIG. 3 is a front view of the embodiment of FIG. 1;
FIG. 4 is a left side view of the embodiment of FIG. 1;
FIG. 5 is a right side view of the embodiment of FIG. 1;
FIG. 6 is a rear view of the embodiment of FIG. 1; and,
FIG. 7 is a bottom view of the embodiment of FIG. 1.

[56] **References Cited**

U.S. PATENT DOCUMENTS

D. 327,458 6/1992 Martinell D6/552

1 Claim, 2 Drawing Sheets



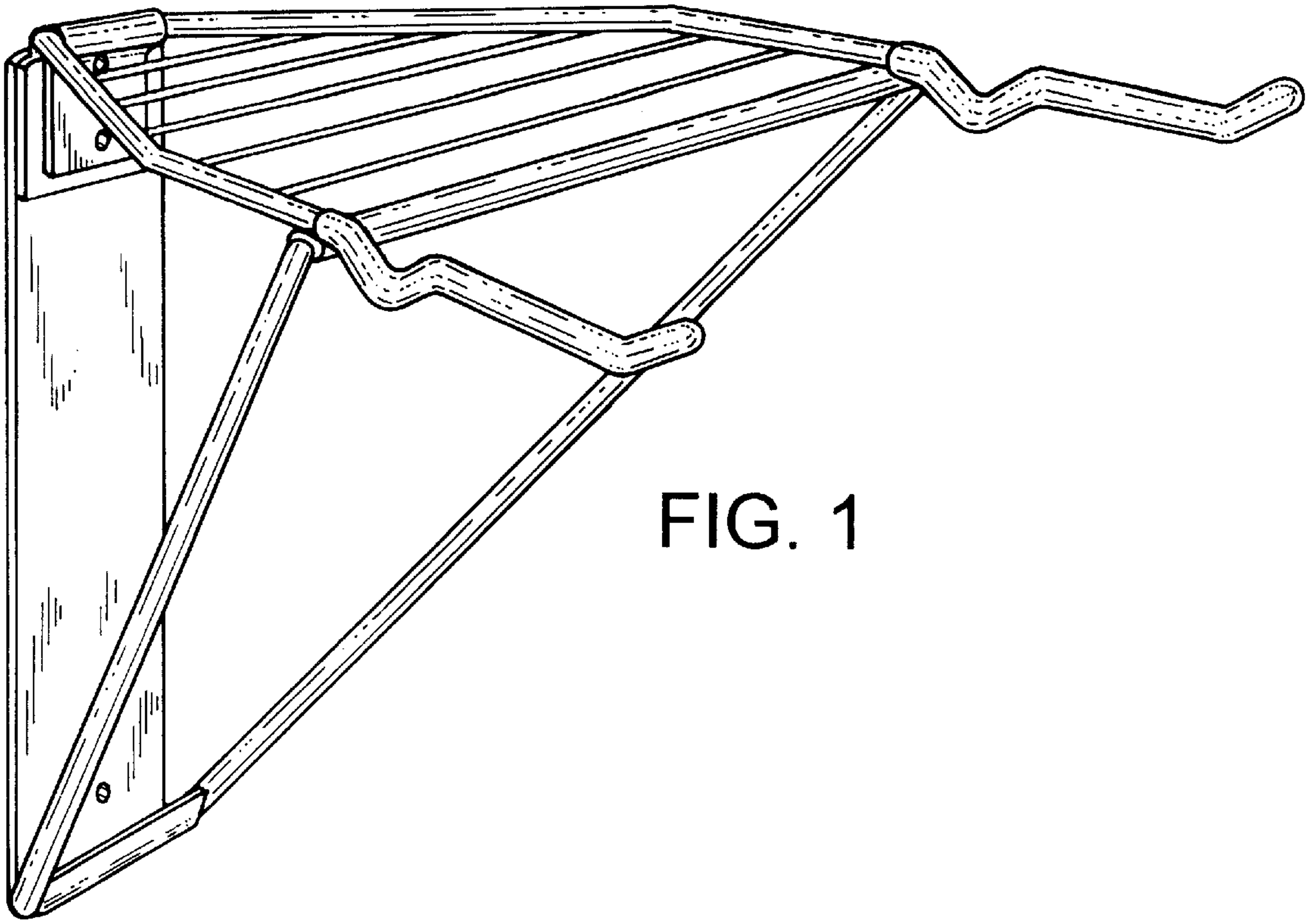


FIG. 1

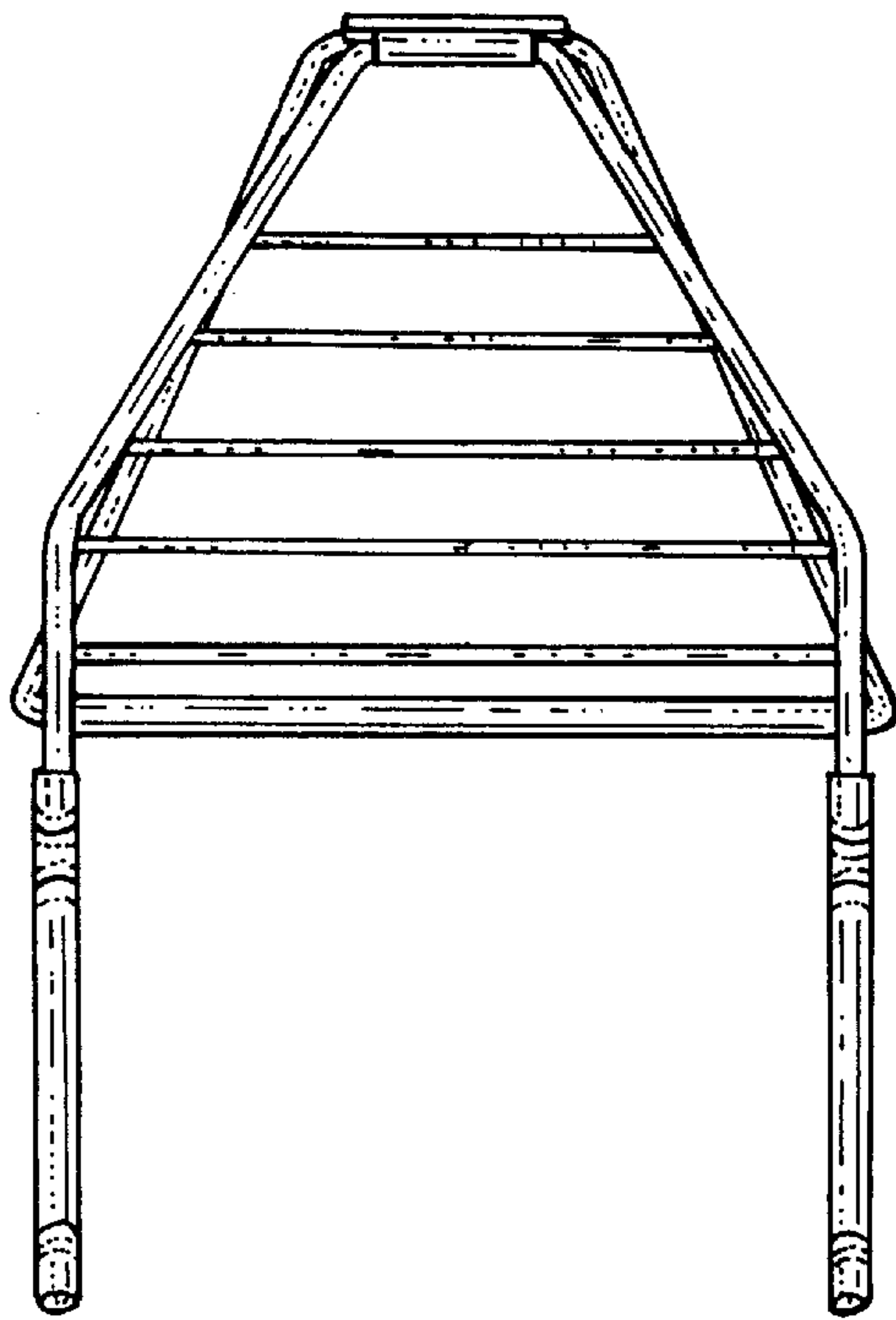


FIG. 2

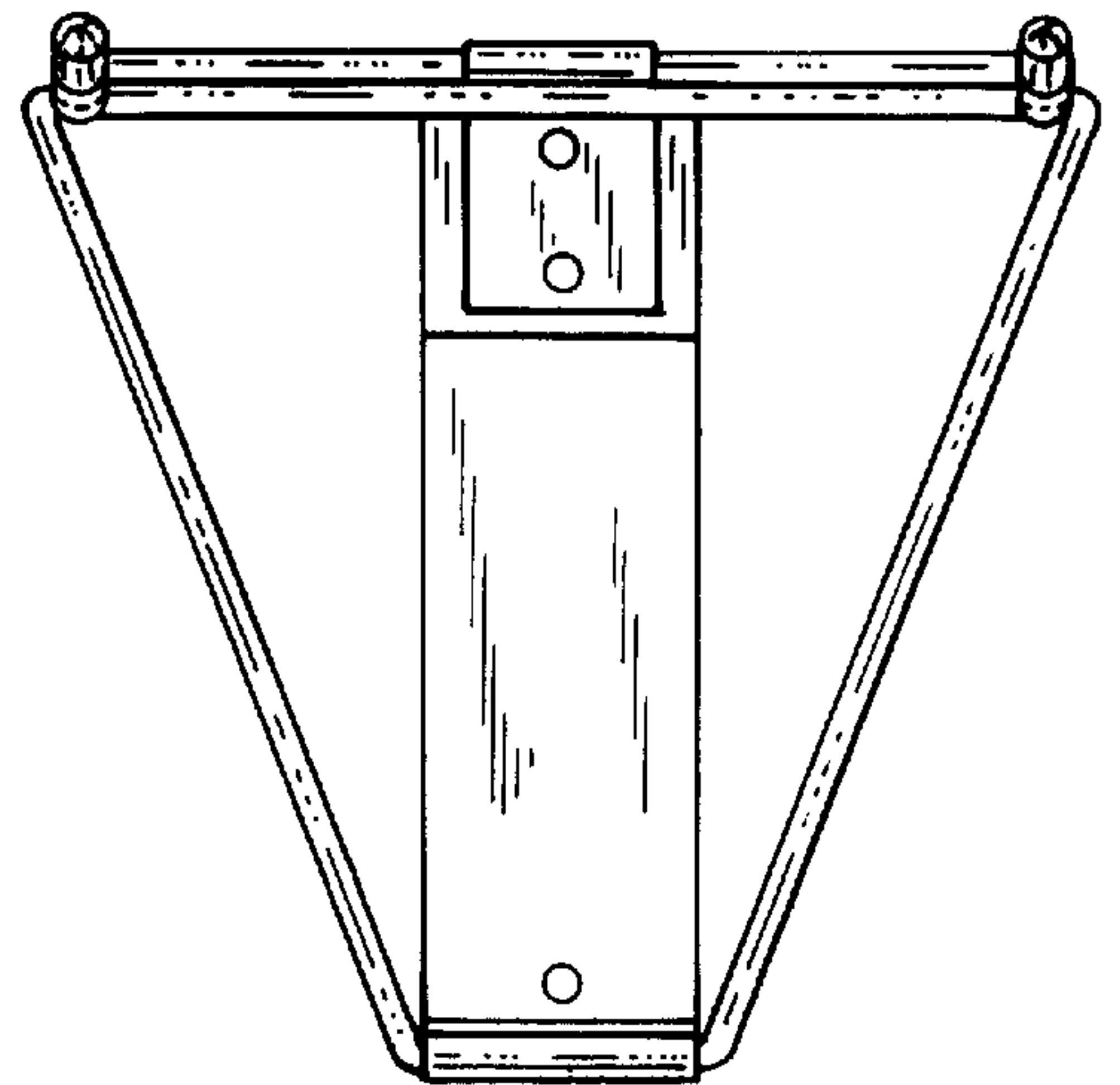


FIG. 3

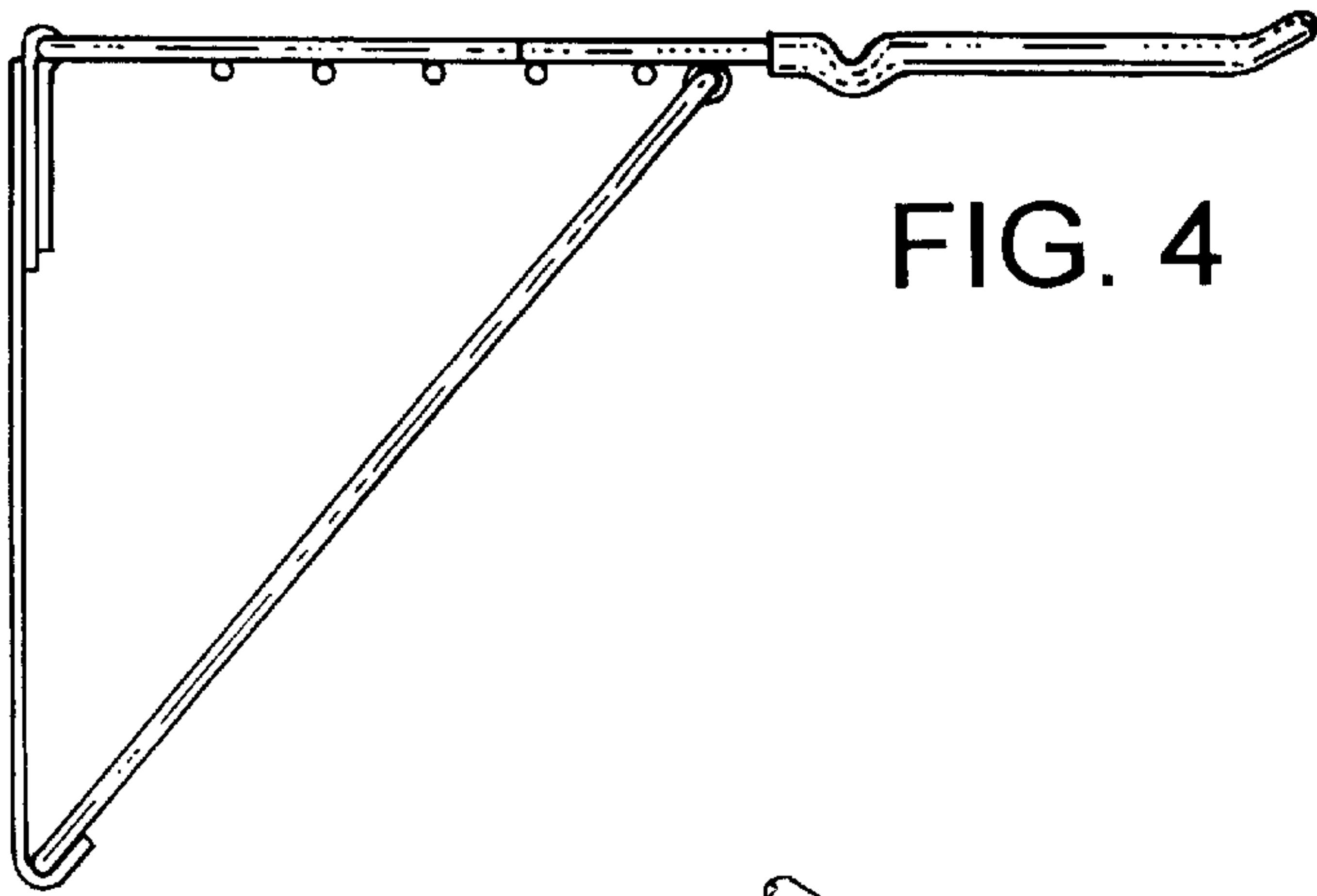


FIG. 4

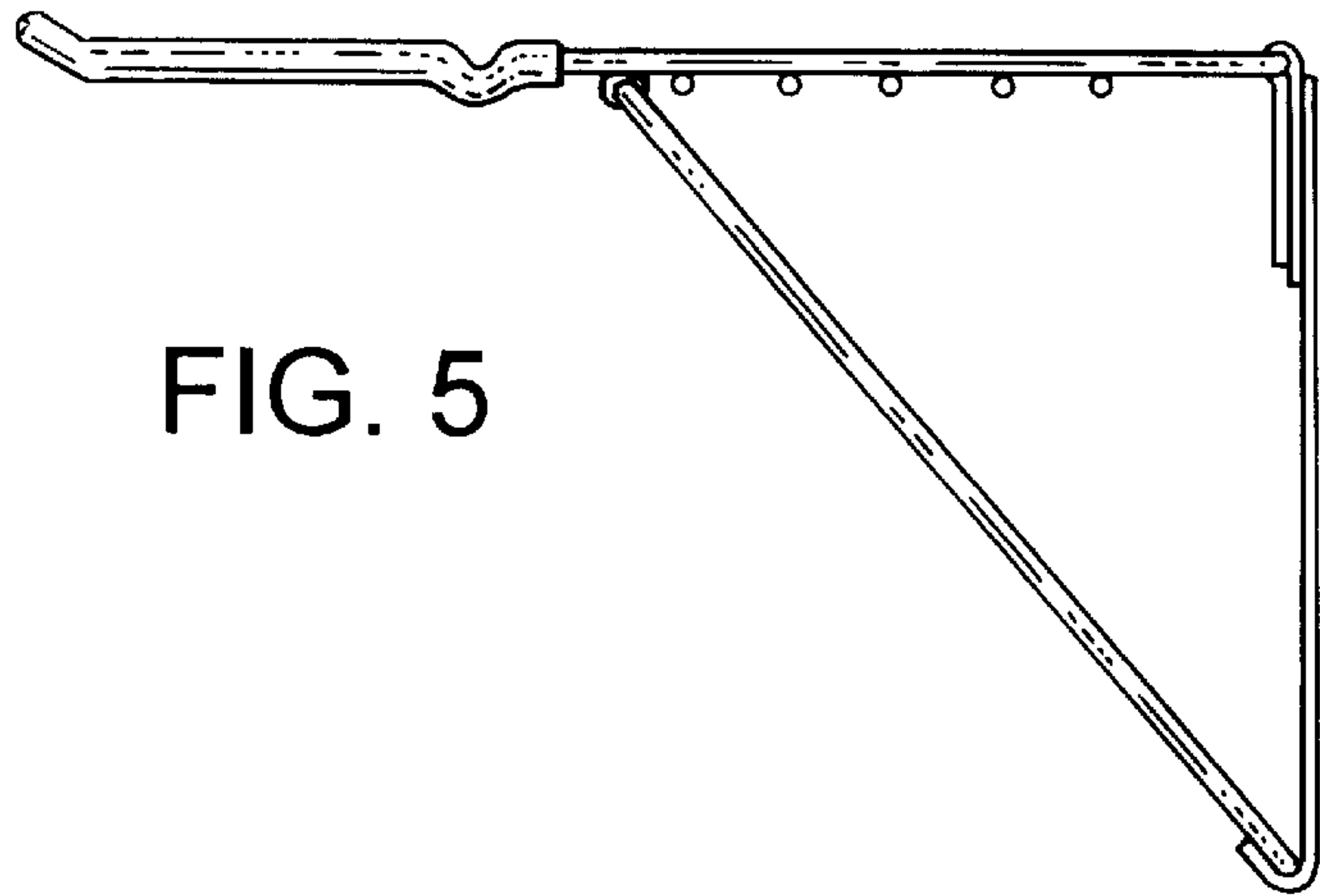


FIG. 5

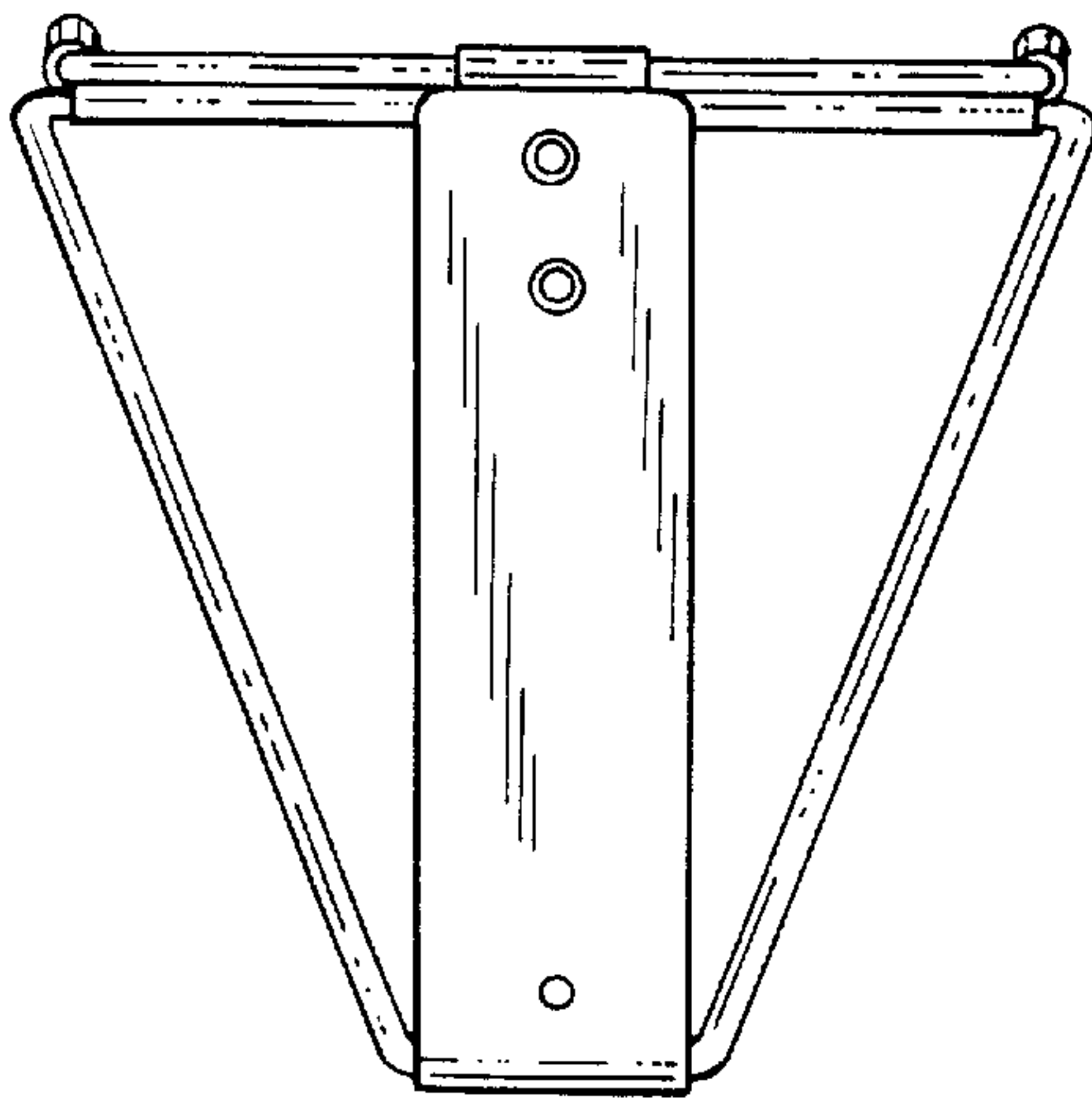


FIG. 6

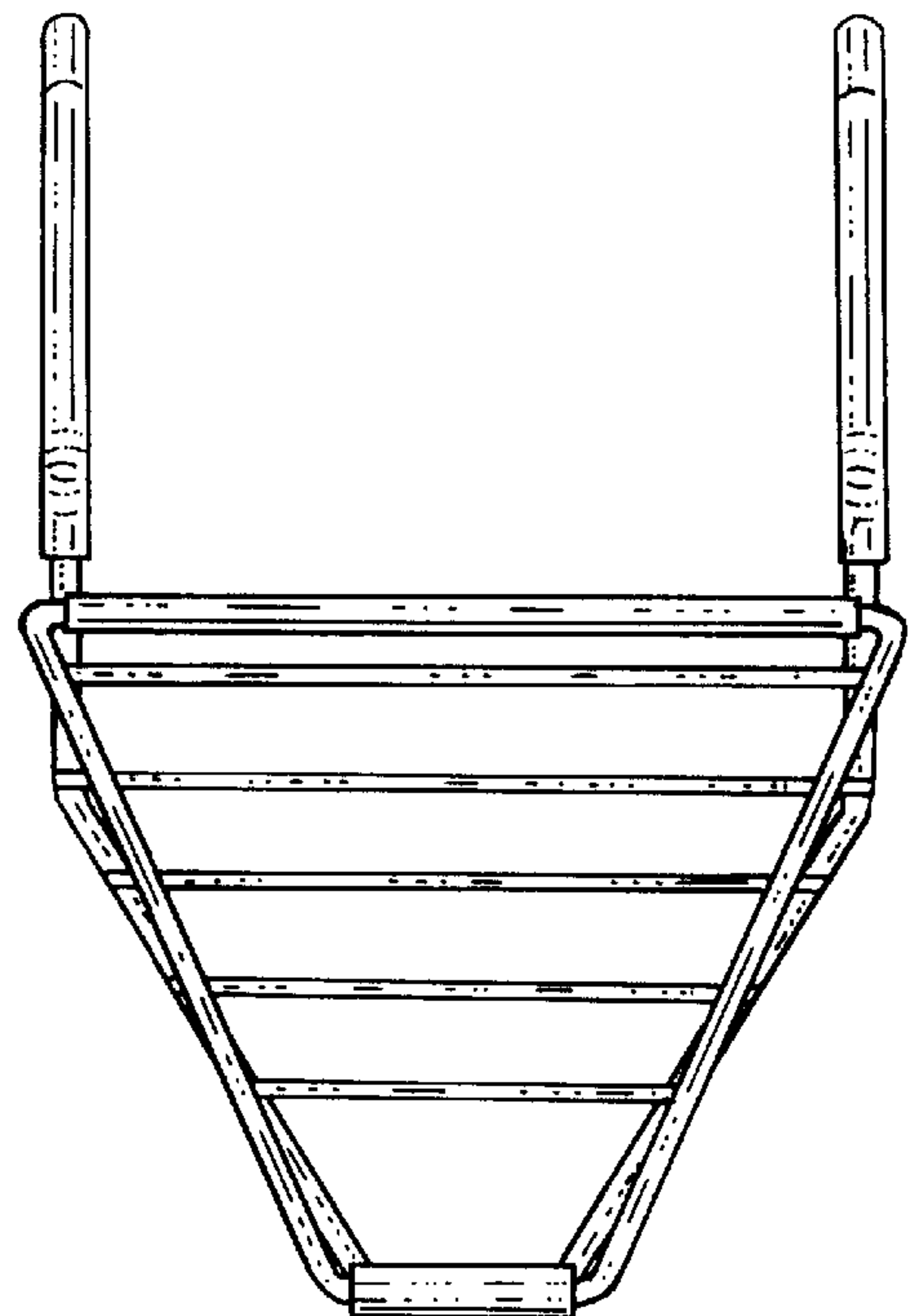


FIG. 7