



US00D397889S

United States Patent [19] Stumpf

[11] **Patent Number: Des. 397,889**

[45] **Date of Patent: **Sep. 8, 1998**

[54] **CHAIR ARM REST**

[75] Inventor: **William S. Stumpf**, Waterloo, Canada

[73] Assignee: **Northfield Metal Products Ltd.**,
Waterloo, Canada

[**] Term: **14 Years**

[21] Appl. No.: **73,727**

[22] Filed: **Jul. 16, 1997**

[51] **LOC (6) Cl. 06-06**

[52] **U.S. Cl. D6/501; D6/366**

[58] **Field of Search D6/334, 364, 365,**
D6/366, 367, 379, 500, 501, 502; 297/411.2,
411.27, 411.31

[56] **References Cited**

U.S. PATENT DOCUMENTS

- D. 254,105 2/1980 Hosoe D6/366
- D. 272,204 1/1984 De Boer D6/366

- D. 273,917 5/1984 Pelly et al. D6/366
- D. 349,621 8/1994 Wilson D6/501
- D. 369,259 4/1996 Breen D6/500
- D. 373,274 9/1996 James D6/501
- D. 376,716 12/1996 Nemeth, Jr. D6/501
- D. 381,525 7/1997 James D6/366

Primary Examiner—Gary D. Watson
Attorney, Agent, or Firm—Wood, Herron & Evans, LLP

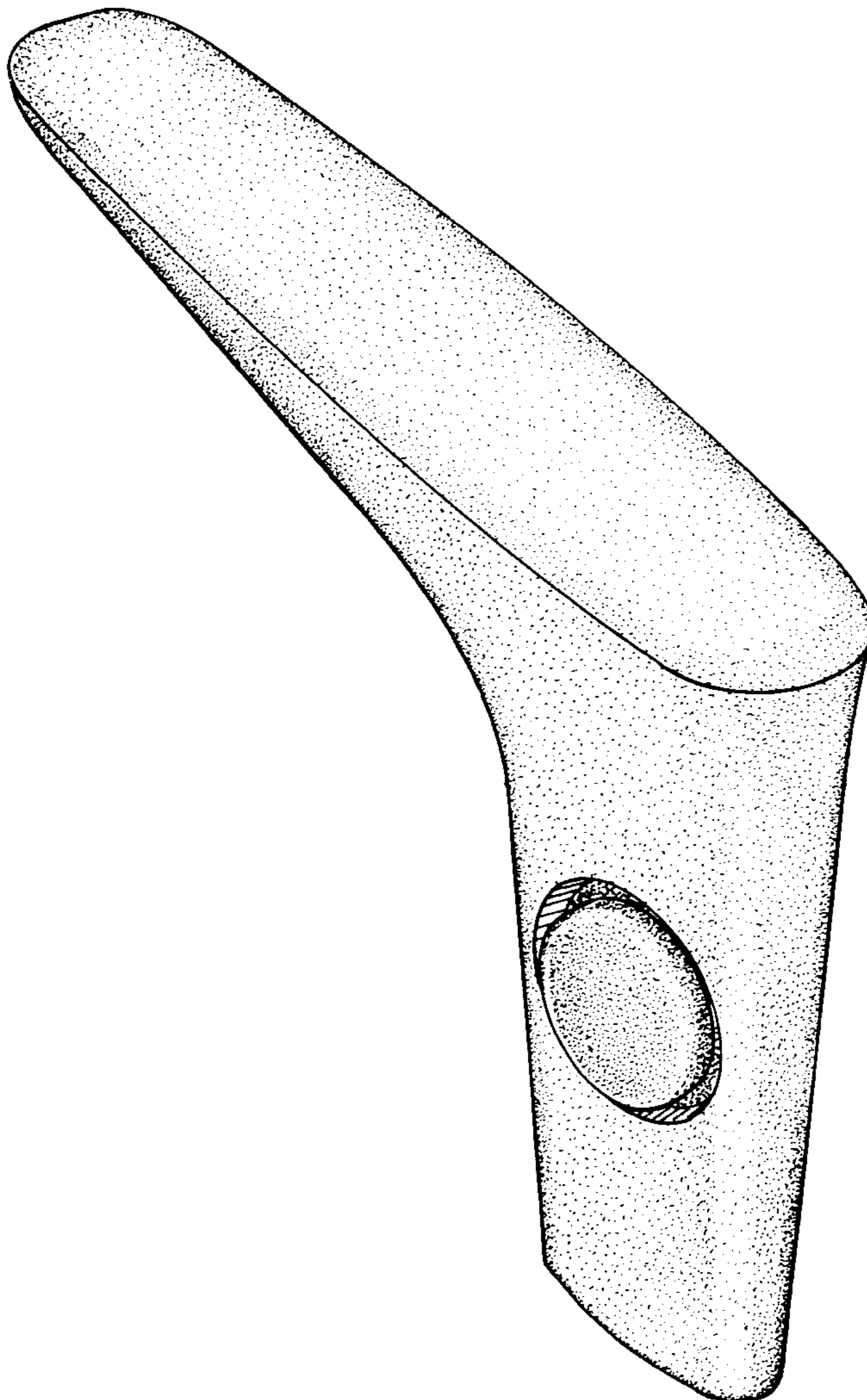
[57] **CLAIM**

The ornamental design for a chair arm rest, as shown.

DESCRIPTION

FIG. 1 is a perspective view;
FIG. 2 is a top view;
FIG. 3 is a left side view;
FIG. 4 is a rear view;
FIG. 5 is a right side view;
FIG. 6 is a front view; and,
FIG. 7 is a bottom view.

1 Claim, 3 Drawing Sheets



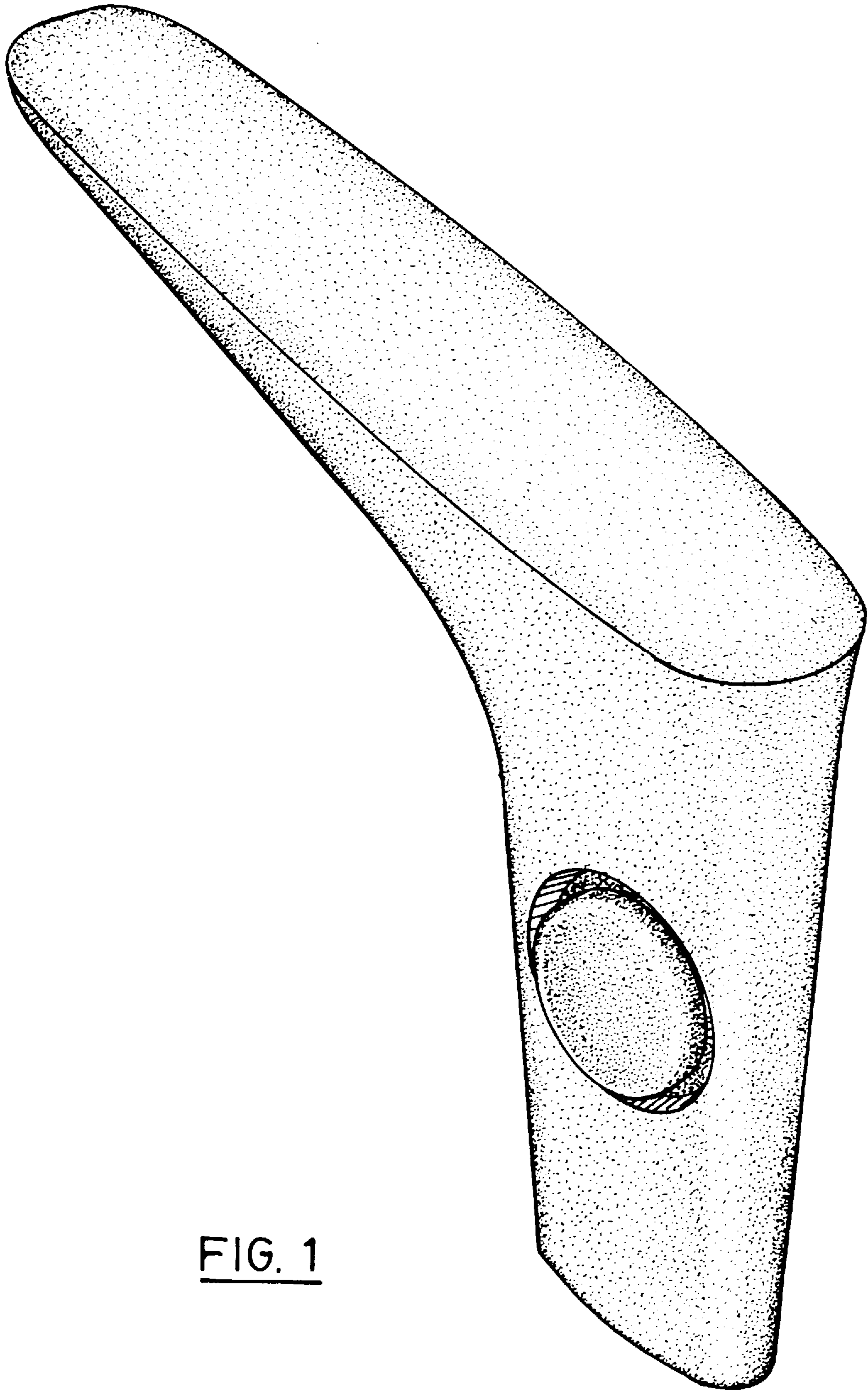


FIG. 1

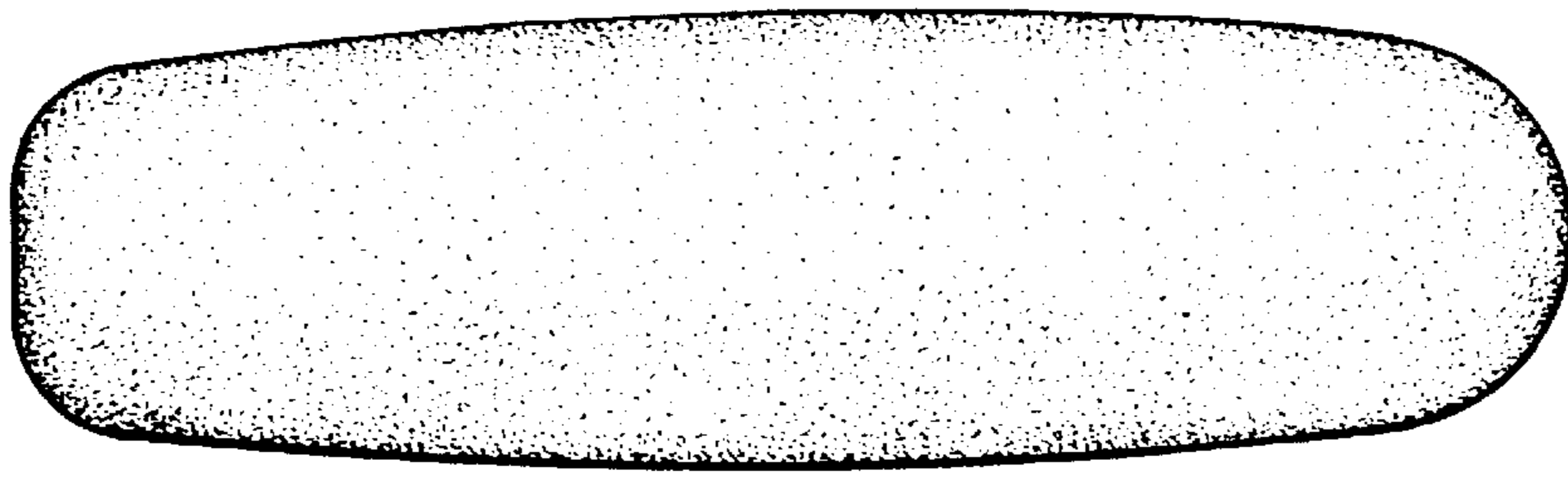


FIG. 2

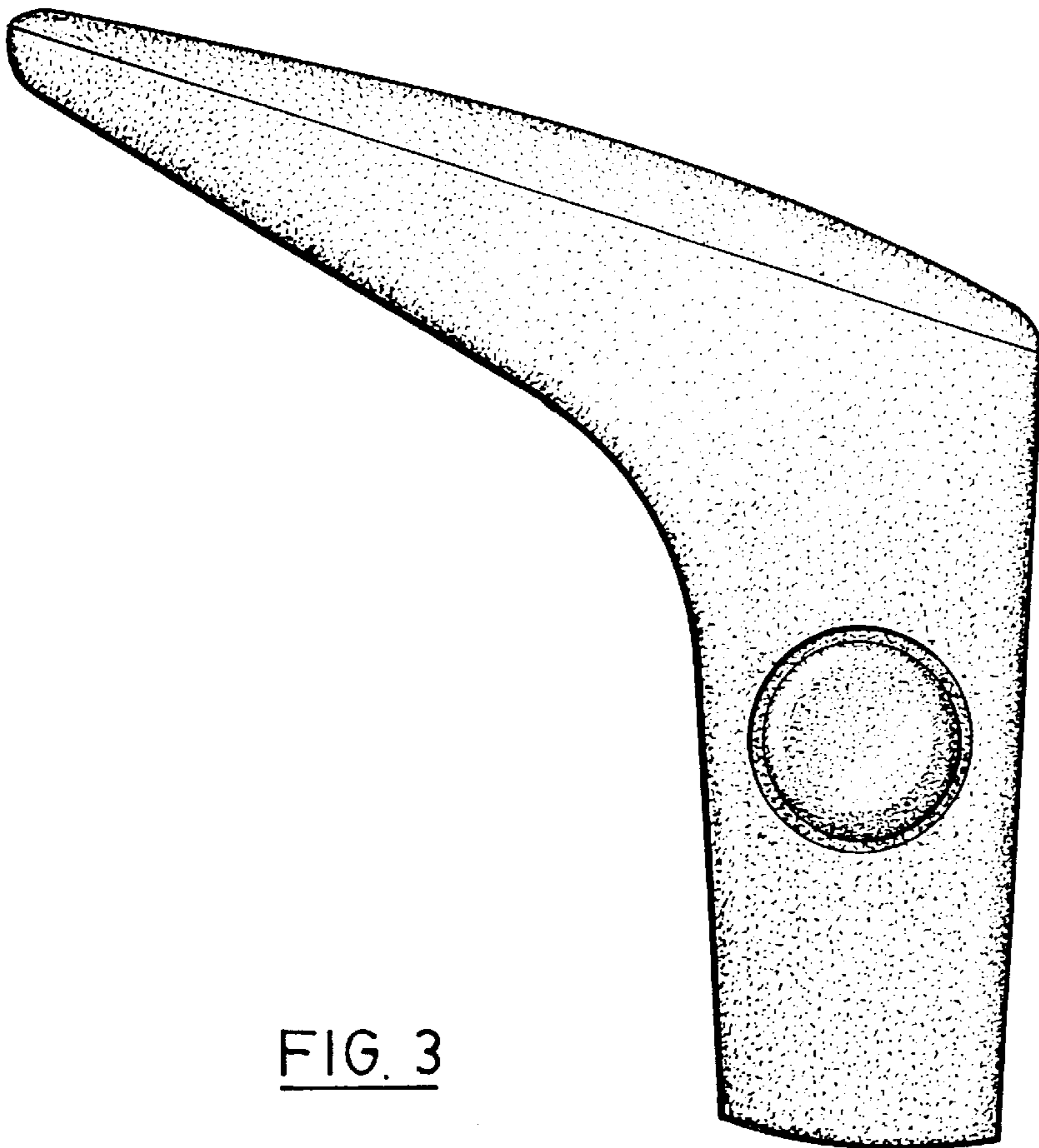


FIG. 3

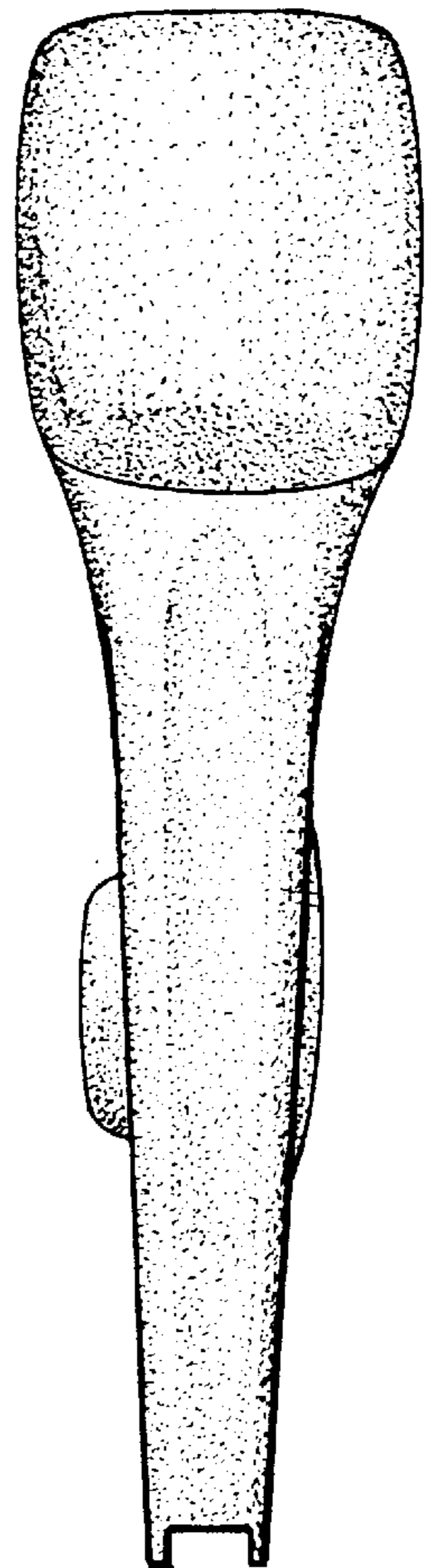


FIG. 4

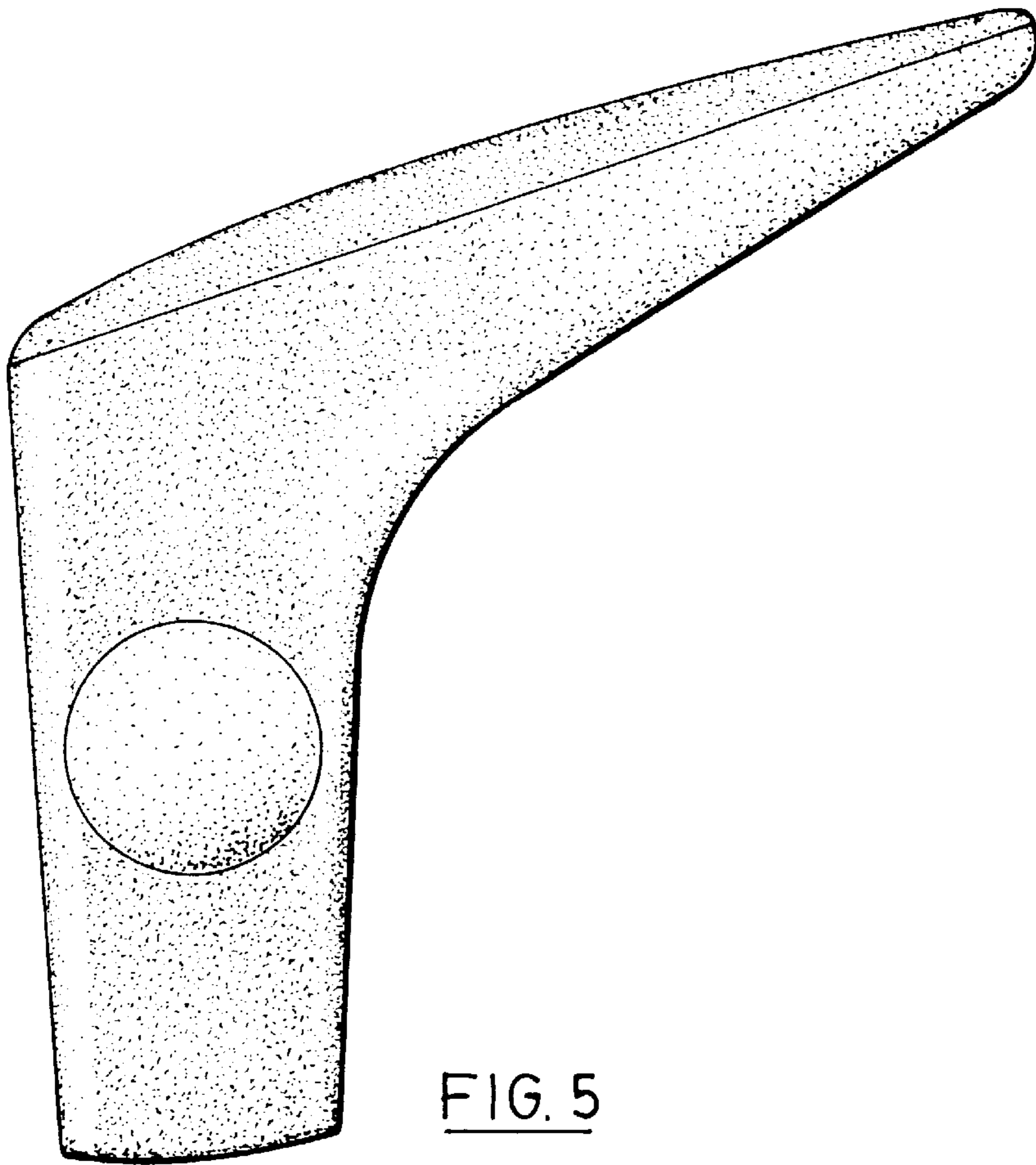


FIG. 5

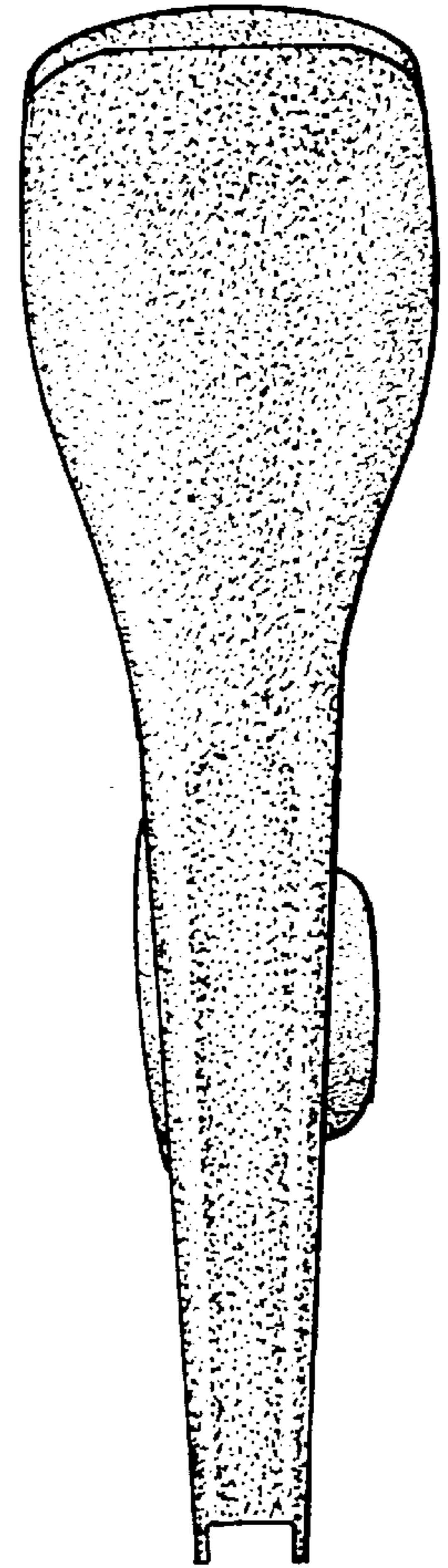


FIG. 6

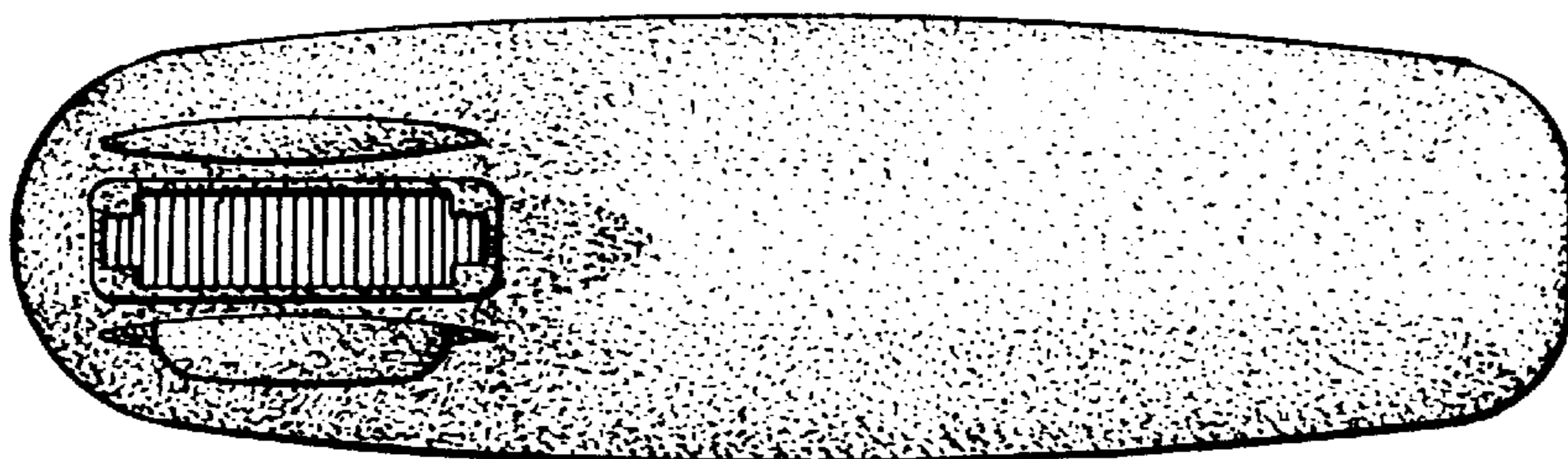


FIG. 7