



US00D397888S

United States Patent [19]
Teng

[11] **Patent Number: Des. 397,888**

[45] **Date of Patent: **Sep. 8, 1998**

[54] **ARTICLE ORGANIZING SHELF**

D. 308,776 6/1990 Yau Kee D6/464
D. 323,256 1/1992 Kee D6/465

[76] Inventor: **Shih-Chin Teng**, No. 58, Sec. 1,
Shenlin Road, Taya Hsiang, Taichung
Hsien, Taiwan

OTHER PUBLICATIONS

International Wrought Iron Ltd 1987 brochure, Gourmet
Rack, p. 9, bottom right corner.

[**] Term: **14 Years**

Primary Examiner—B. J. Bullock
Assistant Examiner—Linda Brooks
Attorney, Agent, or Firm—Robert L. Tucker

[21] Appl. No.: **45,371**

[22] Filed: **Oct. 18, 1995**

[57] **CLAIM**

[51] **LOC (6) Cl.** **06-04**

[52] **U.S. Cl.** **D6/464**

[58] **Field of Search** D6/460-465, 449,
D6/458, 474, 475, 479; 211/13, 27, 71,
112, 128, 134, 135, 153, 186, 187, 188,
189, 190, 191, 194, 195, 175, 207, 208,
181; 108/59, 91, 92, 93, 96, 106; 248/161,
165, 152, 153, 125.1, 174, 175, 346.03;
D25/101, 104-106, 149, 152, 153

The ornamental design for an article organizing shelf, as
shown and described.

DESCRIPTION

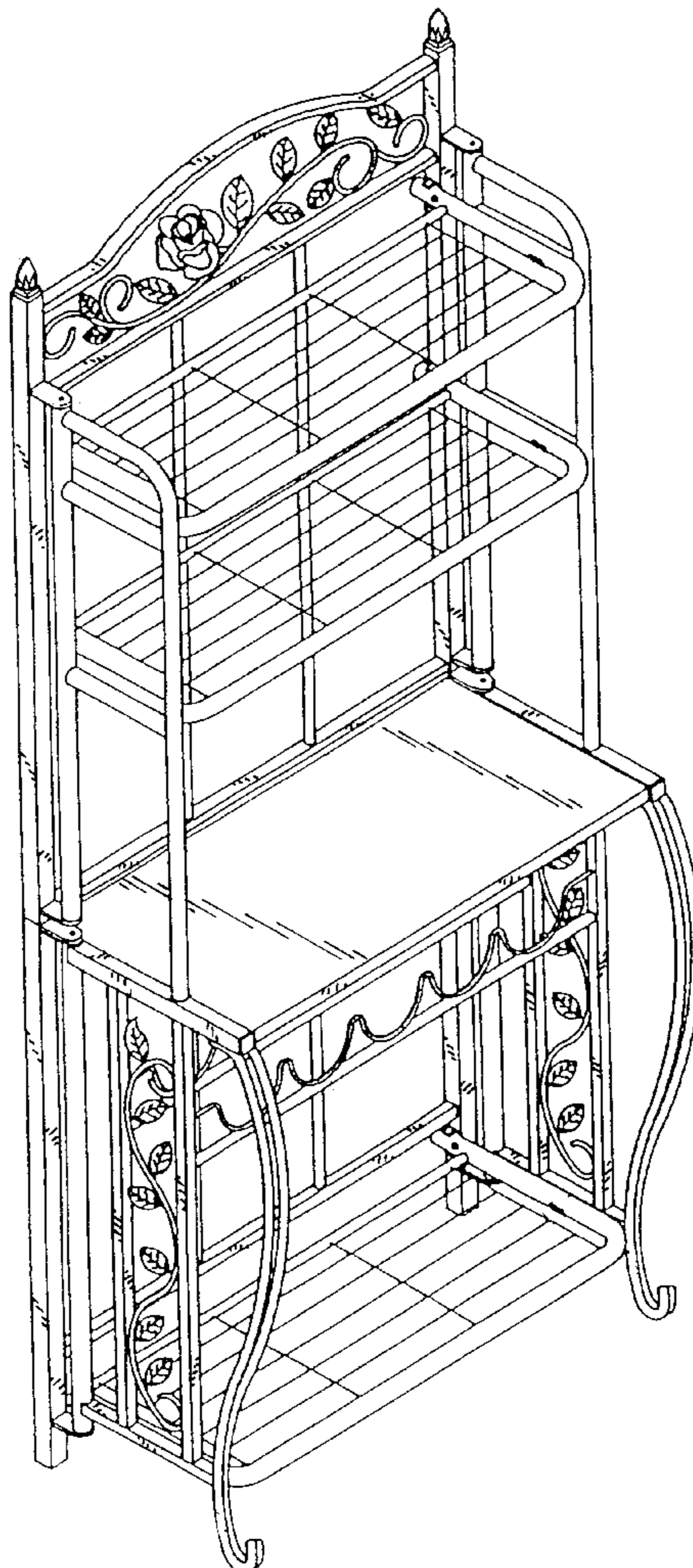
FIG. 1 is a perspective view of an article organizing shelf
showing my new design;
FIG. 2 is a front elevational view thereof;
FIG. 3 is a rear elevational view thereof;
FIG. 4 is a left side elevational view thereof;
FIG. 5 is a right side elevational view thereof;
FIG. 6 is a top view thereof; and,
FIG. 7 is a bottom view thereof.

[56] **References Cited**

U.S. PATENT DOCUMENTS

D. 184,707 3/1959 Braun D25/101
D. 194,627 2/1963 Jacobsen D25/101
D. 244,982 7/1977 Parra D6/429 X

1 Claim, 6 Drawing Sheets



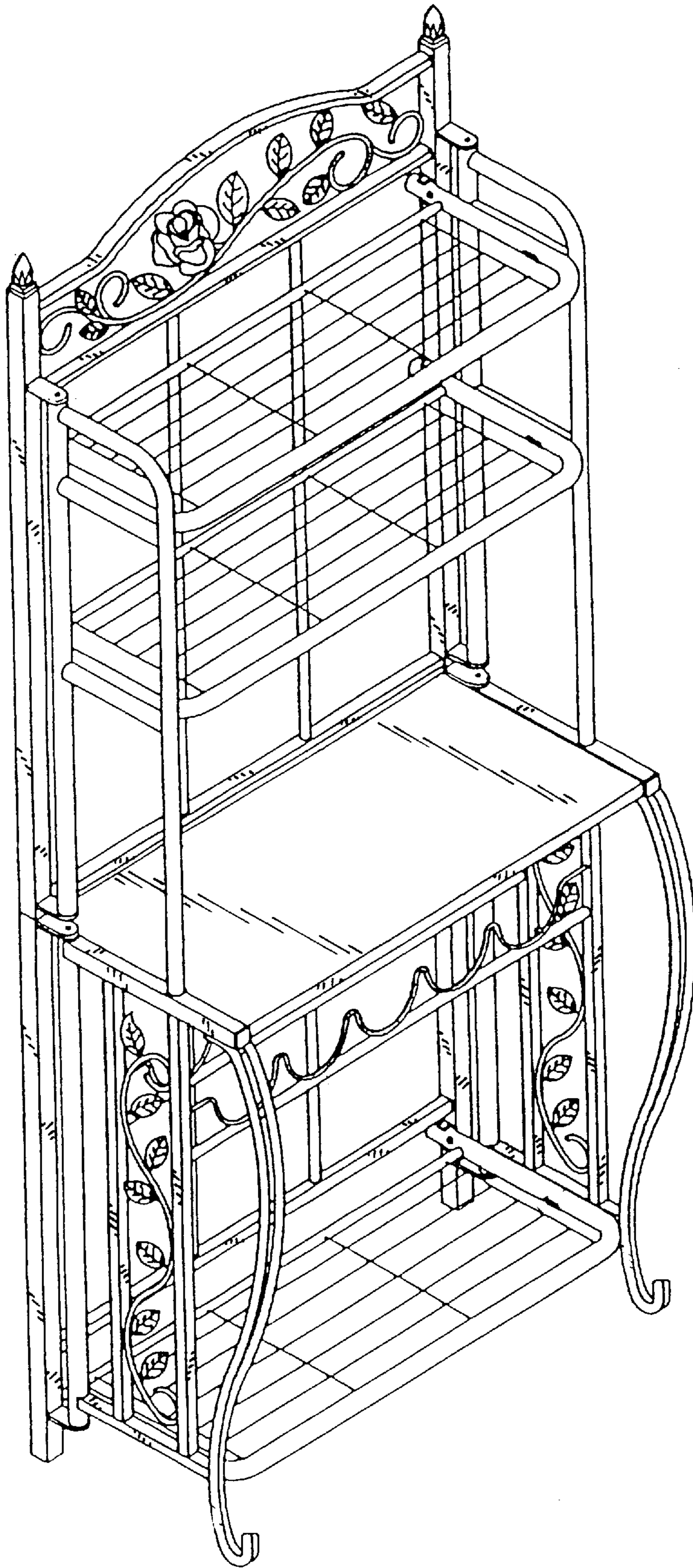


FIG. 1

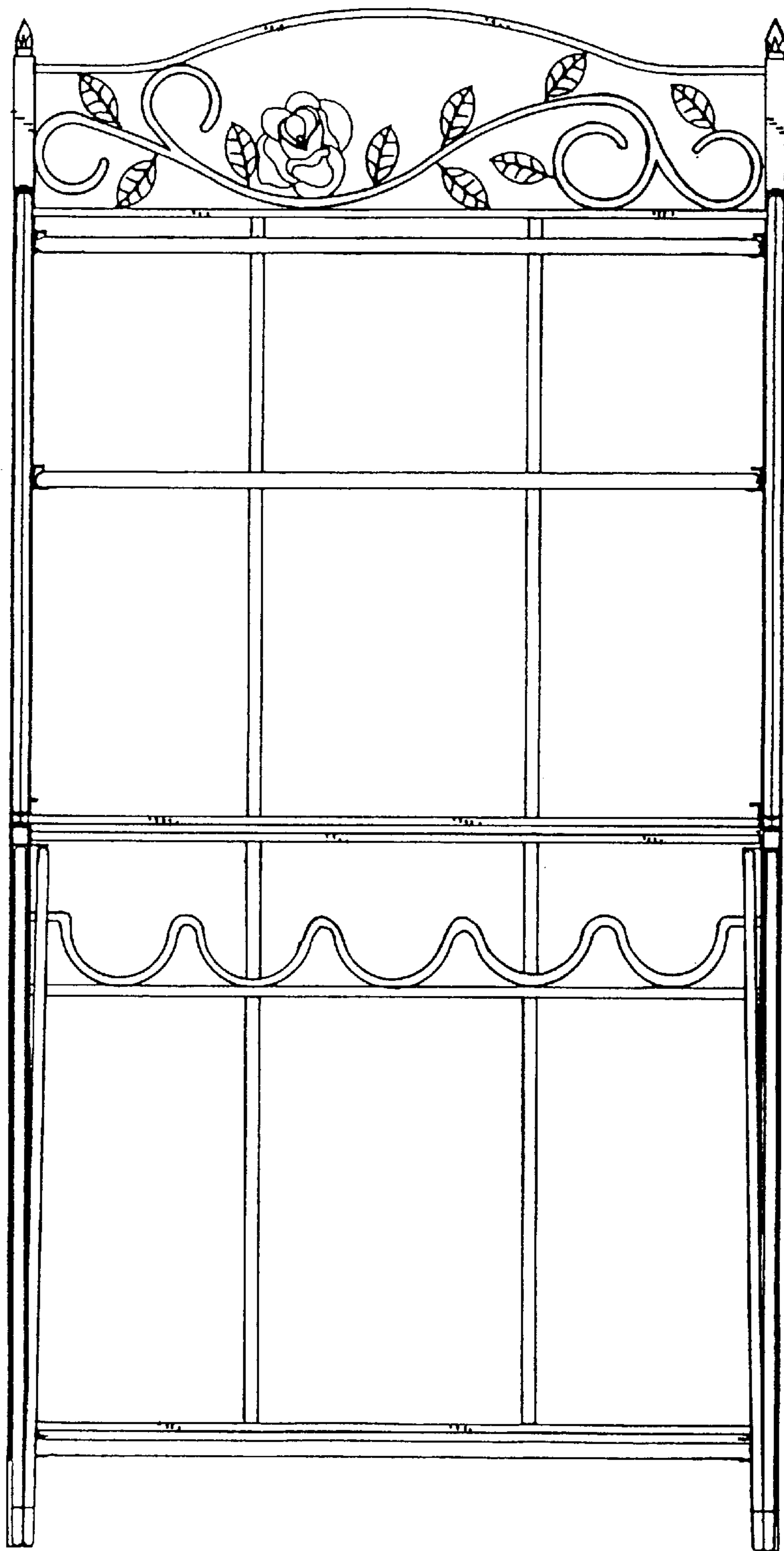


FIG. 2

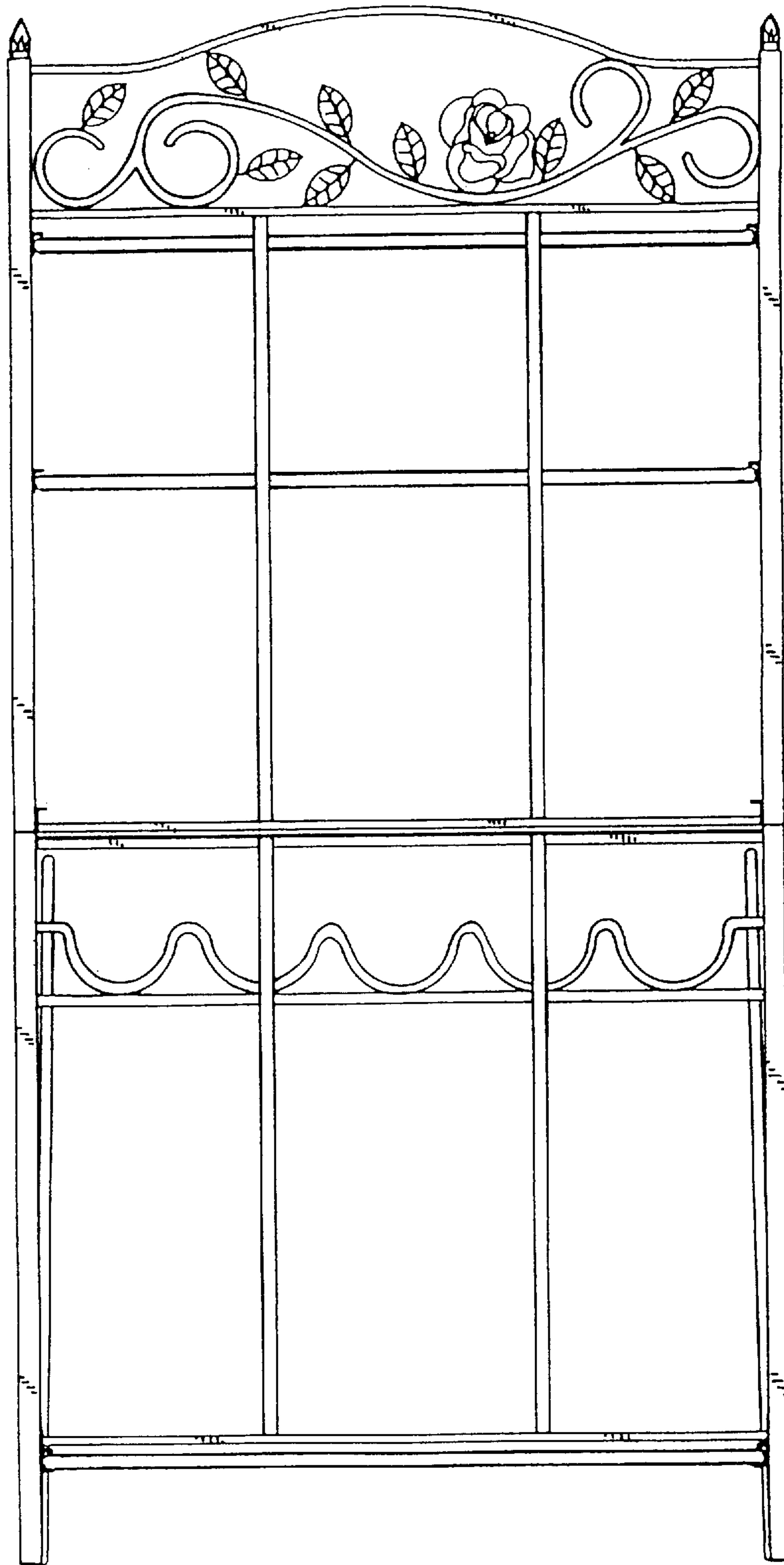


FIG. 3

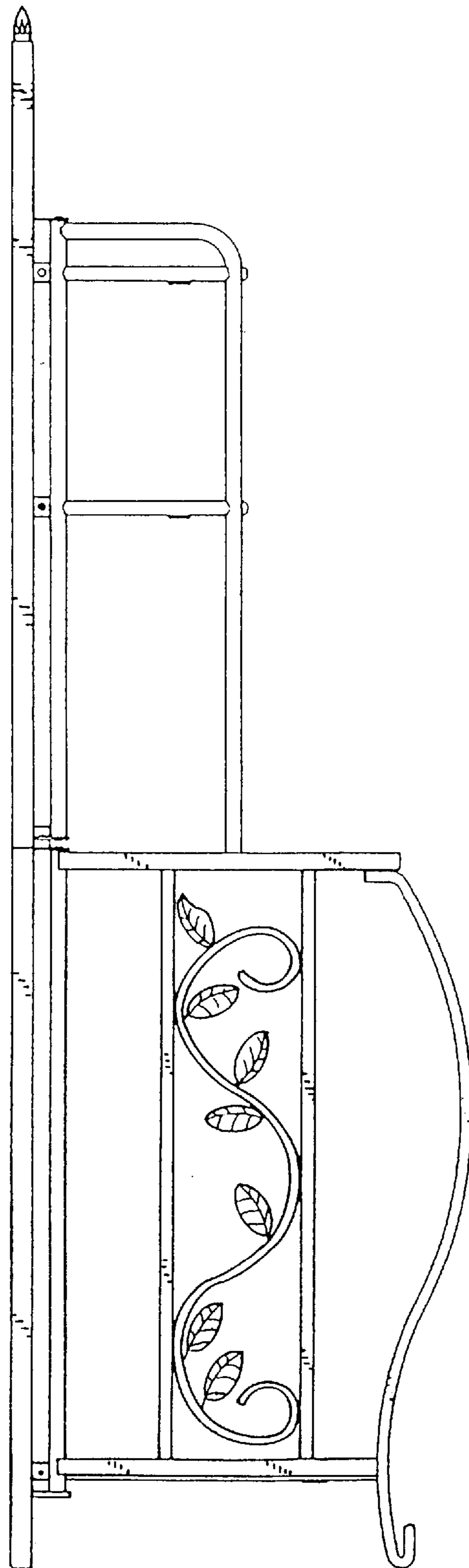


FIG. 4

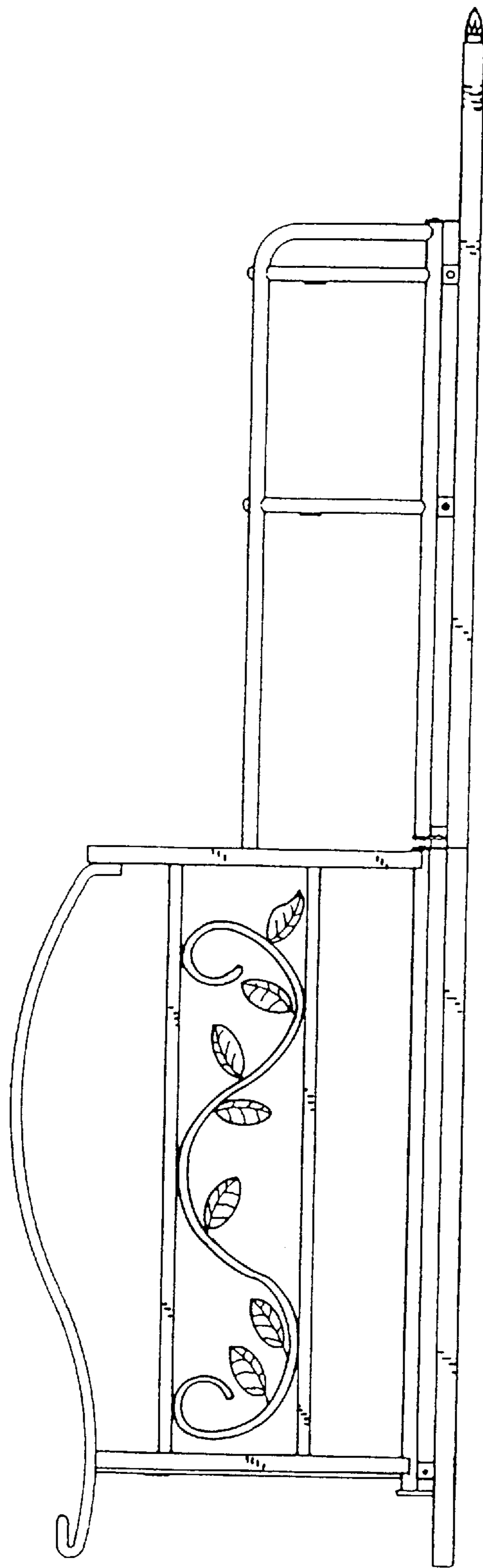


FIG. 5

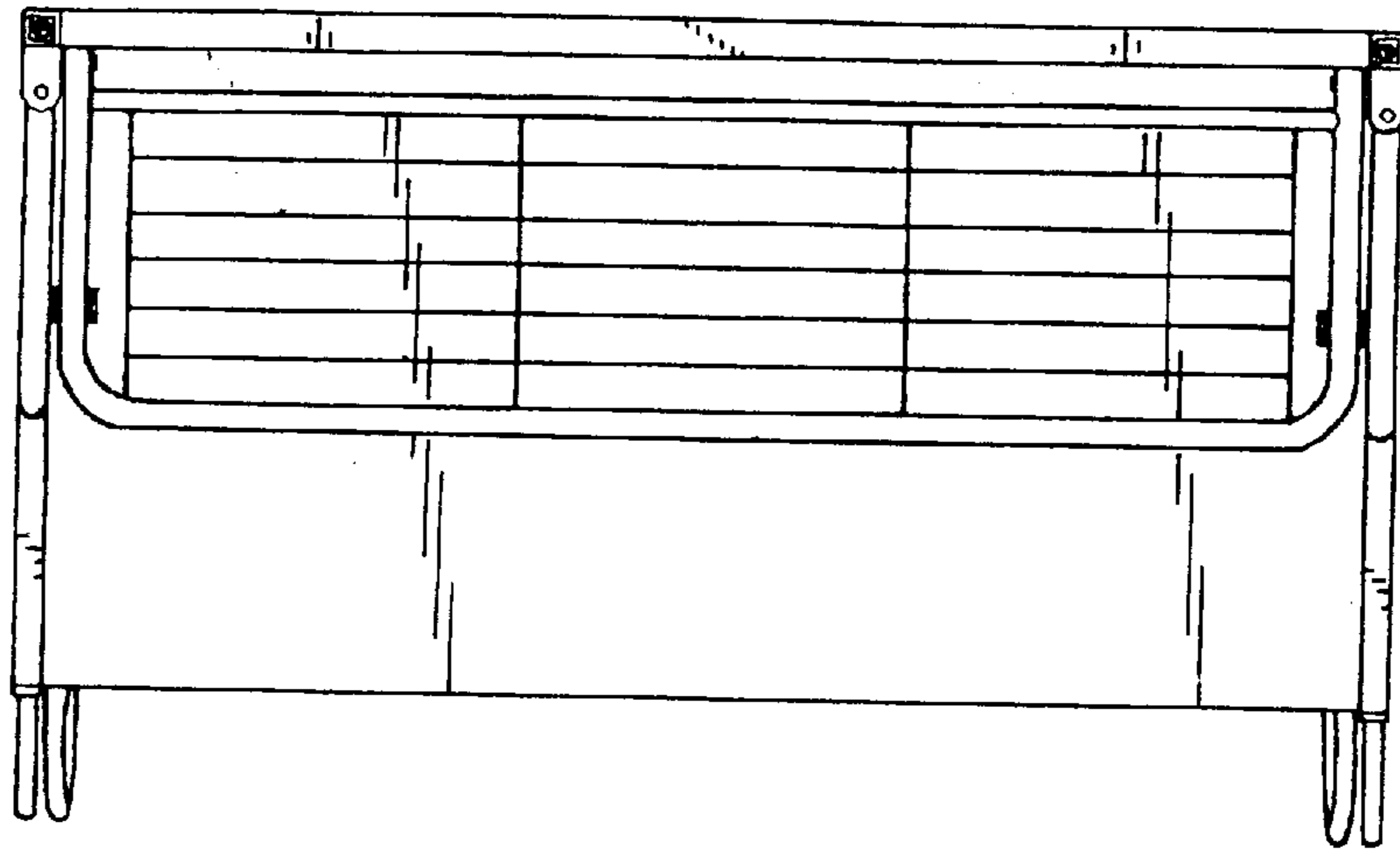


FIG. 6

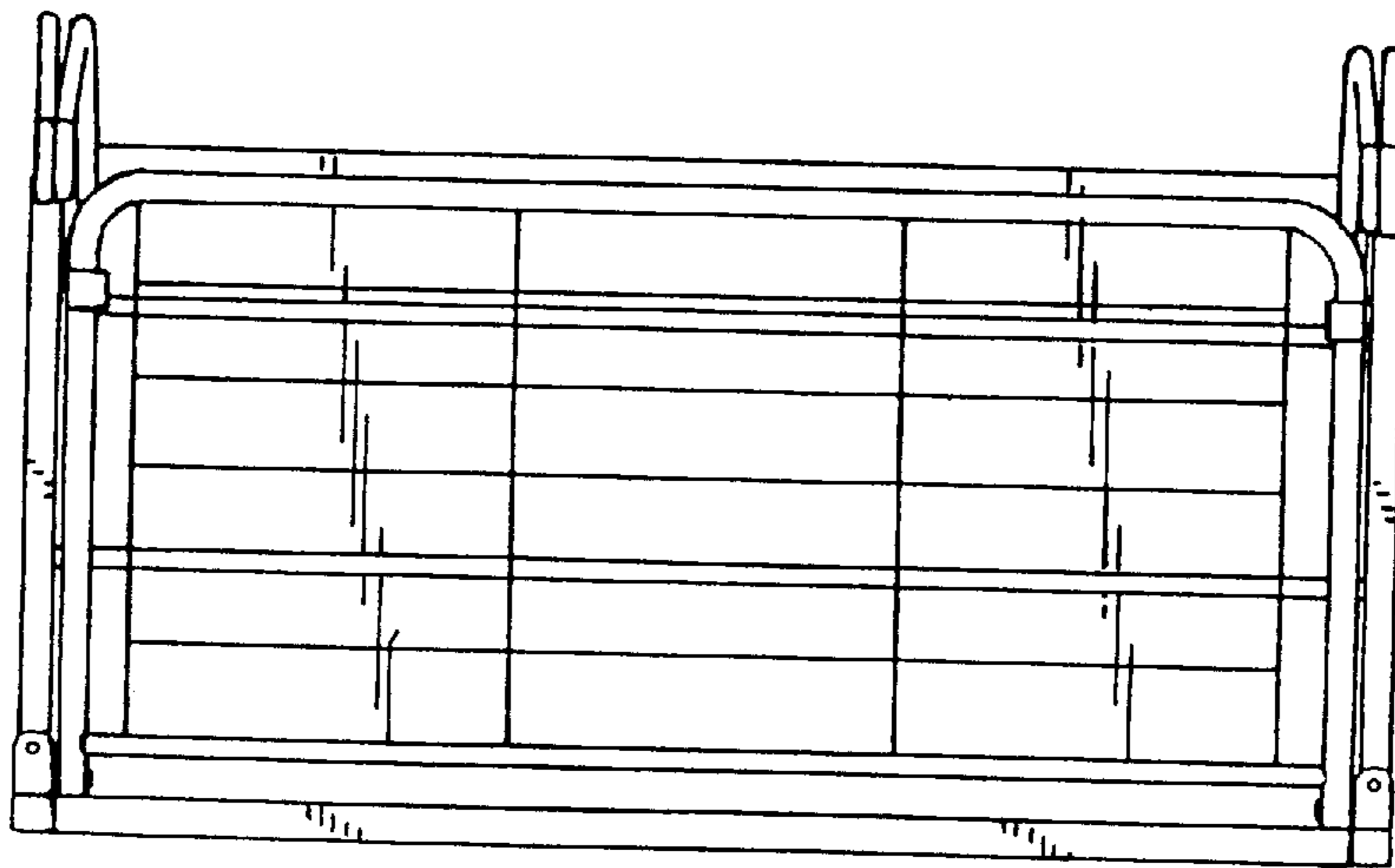


FIG. 7