



US00D397887S

United States Patent [19] Hawkersmith

[11] **Patent Number: Des. 397,887**

[45] **Date of Patent: **Sep. 8, 1998**

[54] **DISPLAY STAND**

[76] Inventor: **Randy L. Hawkersmith**, 204 N. Washington St., Tullahoma, Tenn. 37388

[**] Term: **14 Years**

[21] Appl. No.: **60,905**

[22] Filed: **Oct. 10, 1996**

[51] **LOC (6) Cl. 06-04**

[52] **U.S. Cl. D6/457**

[58] **Field of Search** D6/466, 462, 455, D6/470, 450, 472, 457, 458; 40/1; 248/504, 908, 915, 519, 523, 346.03, 370, 176.1, 320; D11/117, 131, 157; D20/10, 19, 41; D26/138; 211/188, 14, 194, 1, 13.1; D19/75, 97; D21/234; 273/108.2, 153 R, 245, 281, 336, 317.2; 428/542.2, 542.4; 206/315.9, 457

D. 260,864 9/1981 Perry D11/157
D. 270,899 10/1983 Huang D19/97 X
D. 288,154 2/1987 Hobgood D6/466
D. 326,114 5/1992 Murtagh D19/97
D. 340,002 10/1993 Smith, Sr. D26/138 X
5,351,956 10/1994 Kershner 273/153 R

Primary Examiner—James Gandy
Assistant Examiner—Linda Brooks
Attorney, Agent, or Firm—Waddey & Patterson; I. C. Waddey, Jr.

[57] CLAIM

The ornamental design for a display stand, as shown and described.

DESCRIPTION

FIG. 1 is a perspective view of the display stand of the present invention, with a golf ball shown in broken lines for purposes of illustration only and forming no part of the claimed design;

FIG. 2 is a top view of the display stand of the present invention;

FIG. 3 is a side view of the display stand of the present invention; and,

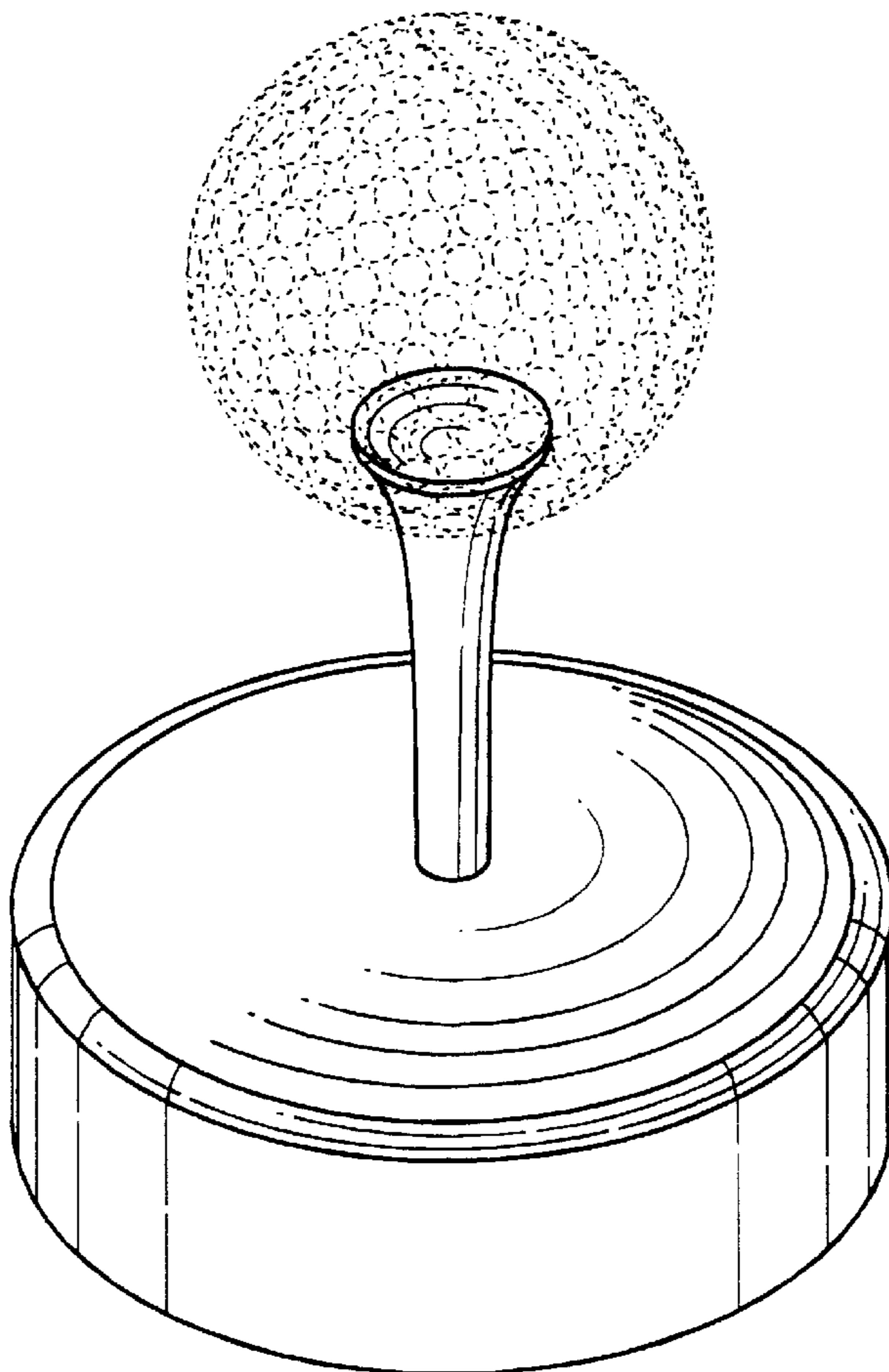
FIG. 4 is a bottom view of the display stand of the present invention.

[56] References Cited

U.S. PATENT DOCUMENTS

D. 35,748 2/1902 Drain, Jr. D6/457
D. 75,220 5/1928 Dahlstrom D19/97
D. 123,819 12/1940 Perryman D9/341
D. 158,699 5/1950 Wasilevich D6/455
D. 174,195 3/1955 Reising D11/157

1 Claim, 2 Drawing Sheets



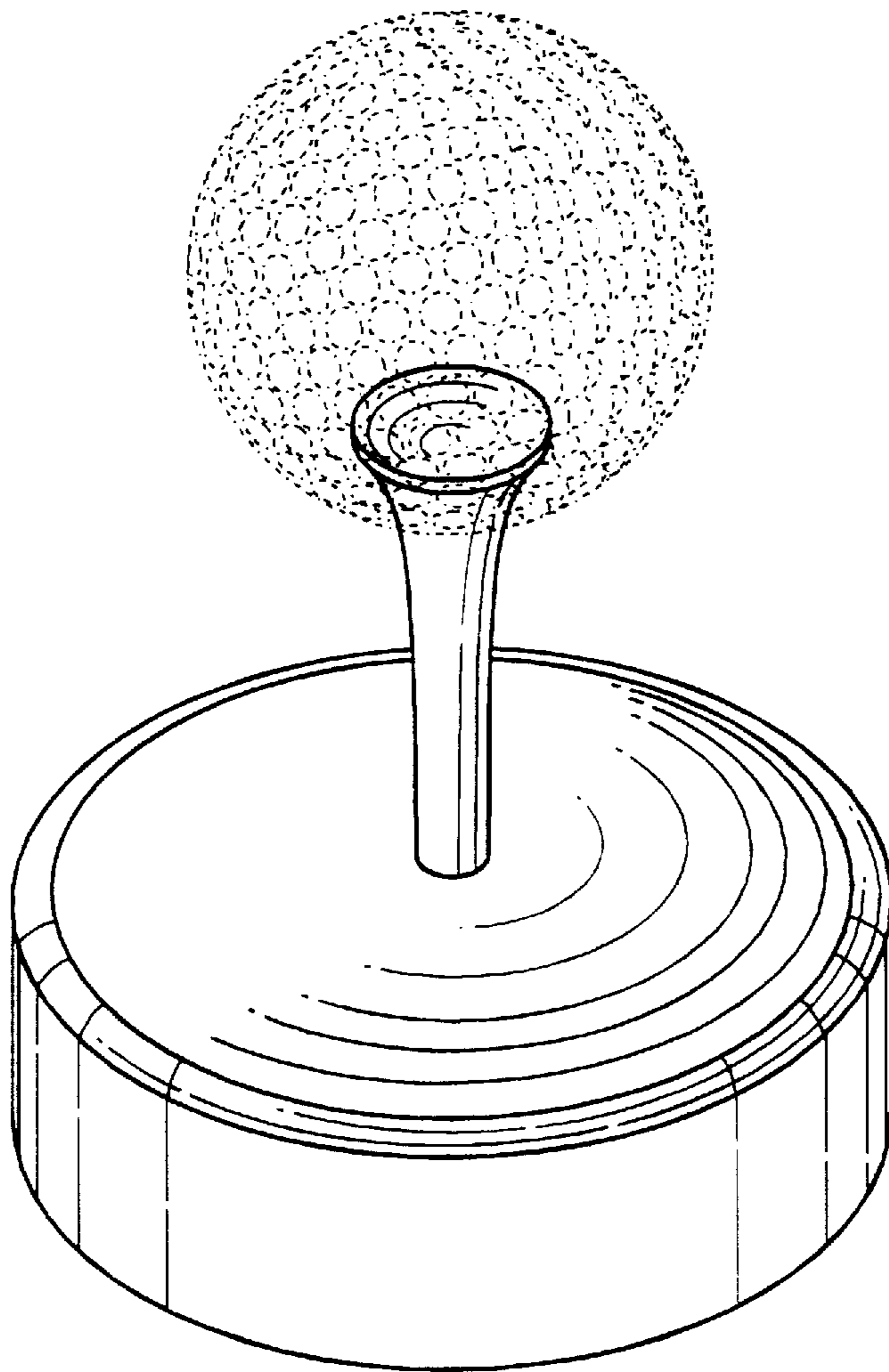


FIG. 1

FIG. 2

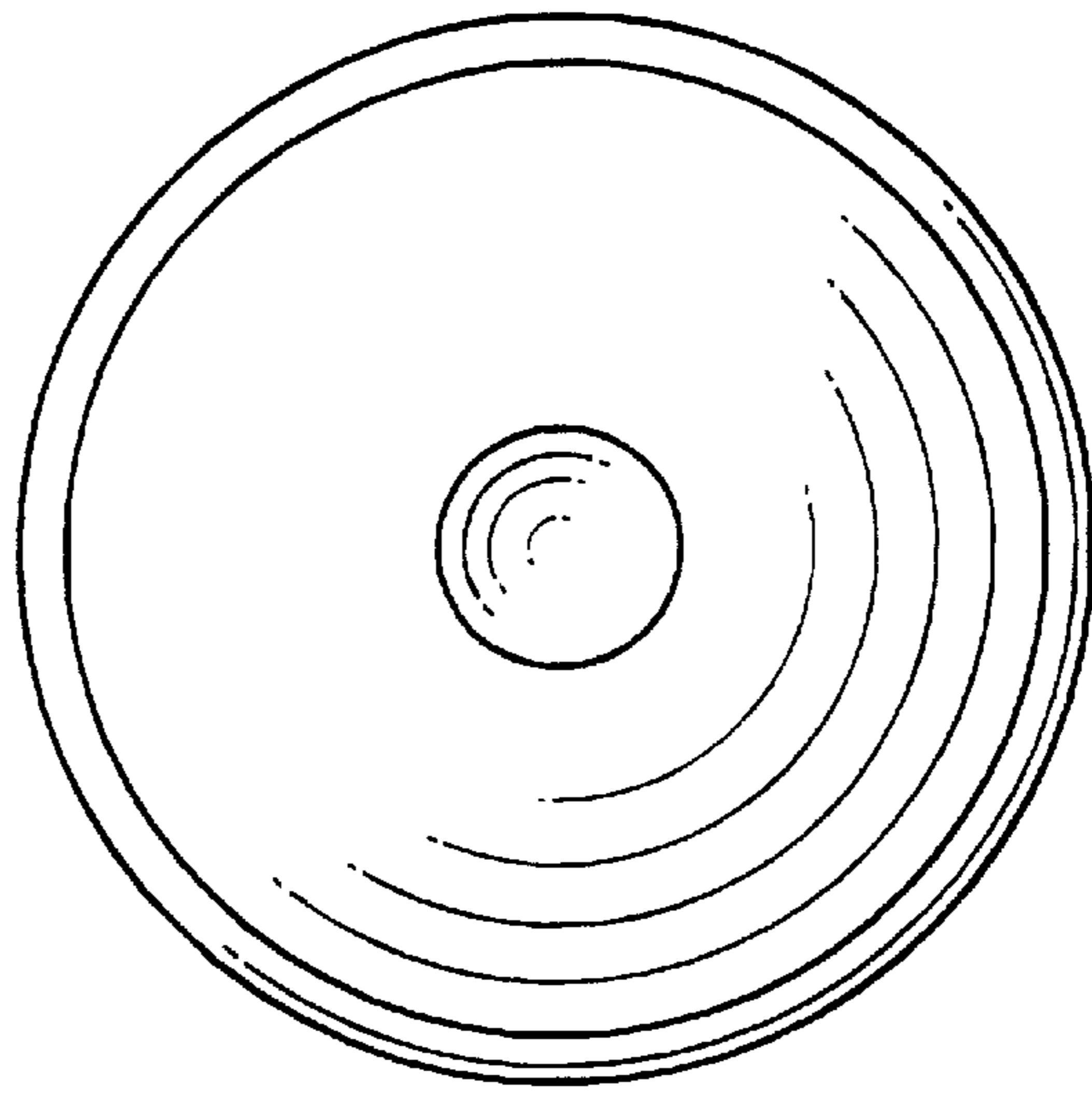


FIG. 3

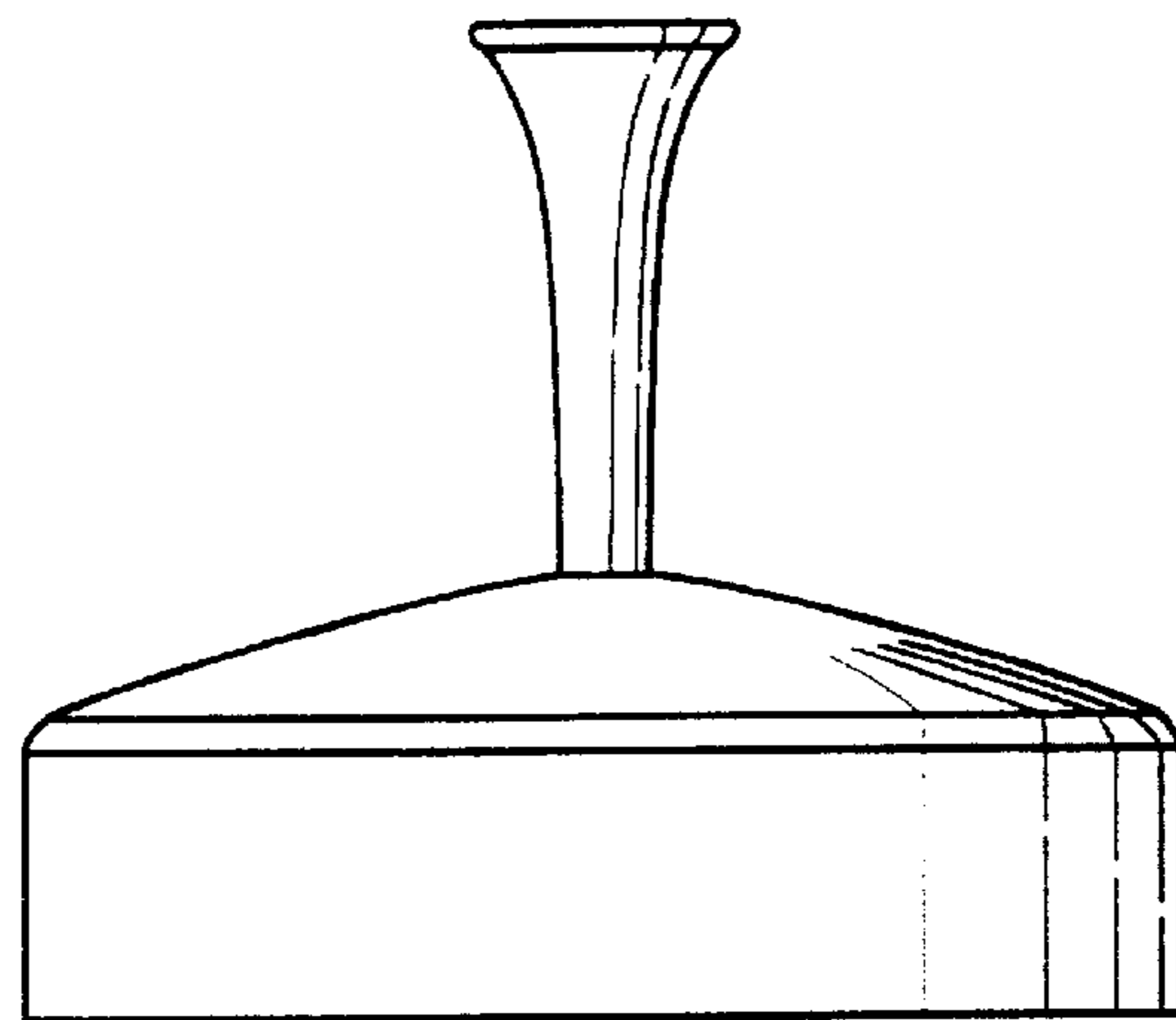


FIG. 4

