



US00D397883S

**United States Patent** [19]  
**Gelphman et al.**

[11] **Patent Number: Des. 397,883**  
[45] **Date of Patent: \*\*Sep. 8, 1998**

[54] **MULTIMEDIA STACKER RACK**

[75] Inventors: **Steven A. Gelphman**, San Jose;  
**Christopher G. Palmer; Peter J. Palmer**, both of Saratoga, all of Calif.

[73] Assignee: **Creative Point, Inc.**, Fremont, Calif.

[\*\*] Term: **14 Years**

[21] Appl. No.: **77,511**

[22] Filed: **Oct. 3, 1997**

[51] **LOC (6) Cl.** ..... **06-04**

[52] **U.S. Cl.** ..... **D6/407; D6/467**

[58] **Field of Search** ..... D6/407, 626-630,  
D6/462-468, 450, 457, 473-476, 556-567,  
570-572, 553; 312/9.1-9.64; D19/90; D32/55,  
58; 211/40, 40.1, 41.2, 41.3, 41.4, 42, 41.12,  
44, 41.18, 48, 181.1; 206/307.1, 307, 308.1,  
445, 387.15, 454, 387.1, 425

[56] **References Cited**

**U.S. PATENT DOCUMENTS**

D. 143,436	1/1946	Maniscalco et al. ....	D6/570
D. 323,766	2/1992	Robbins et al. ....	D6/553 X
D. 325,313	4/1992	Evenson ....	D6/553
D. 328,761	8/1992	Evenson ....	D6/407 X
D. 331,337	12/1992	Krinke et al. ....	D6/476 X
D. 334,311	3/1993	Sandy ....	D6/467
D. 342,398	12/1993	Lemmerman et al. ....	D6/467
4,257,524	3/1981	Yonkers et al. ....	211/40 X

*Primary Examiner*—Jeffrey Asch  
*Attorney, Agent, or Firm*—Michael J. Hughes; Larry B. Guernsey

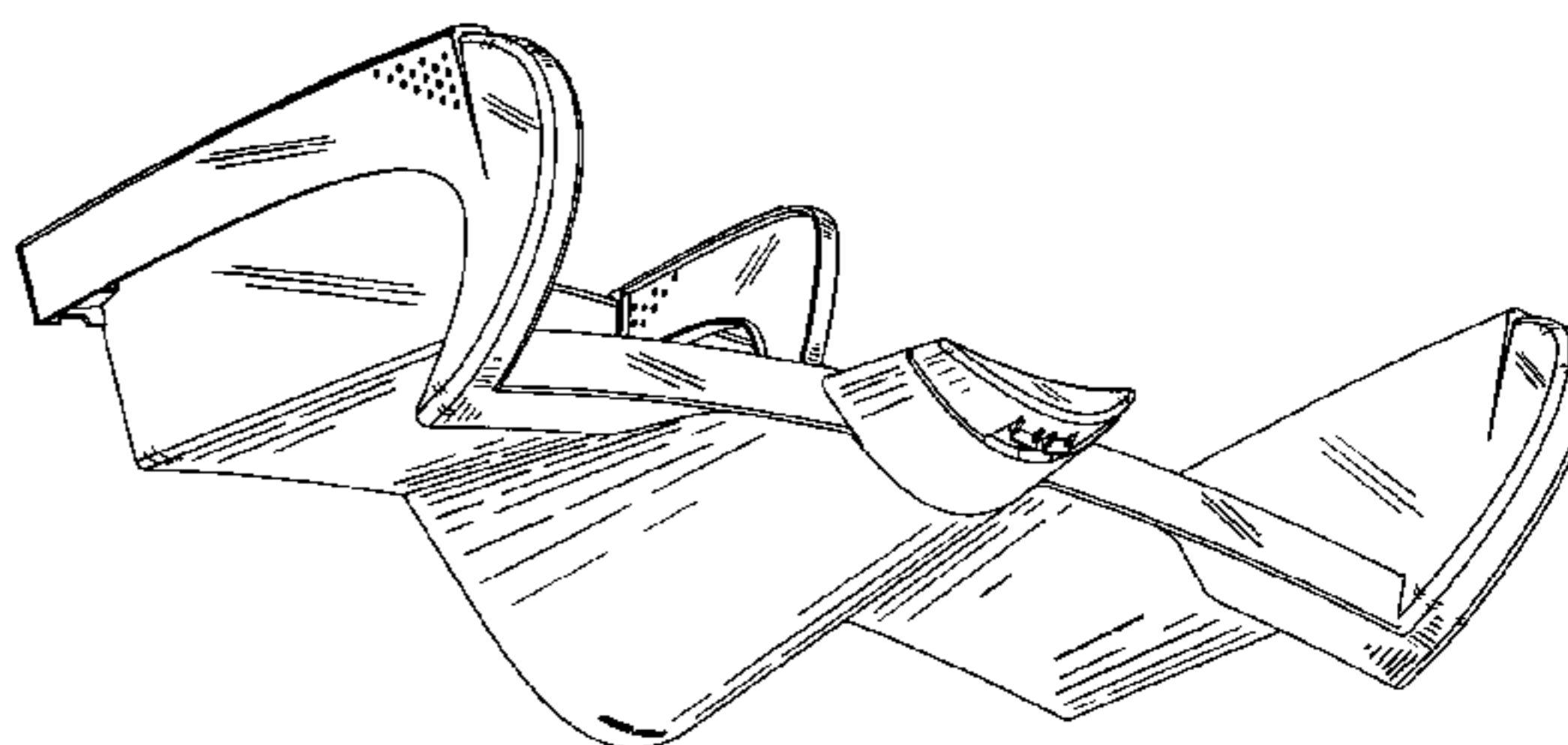
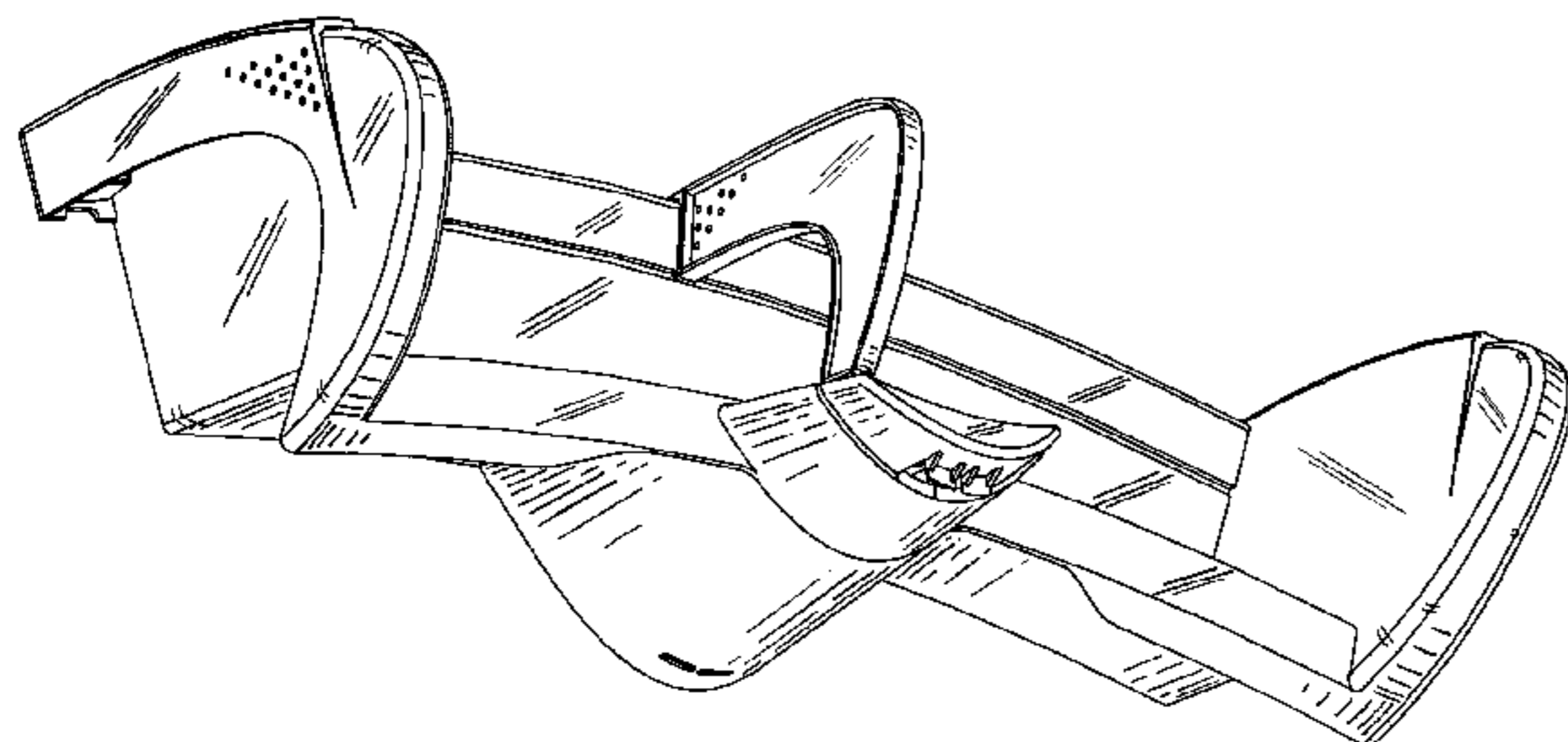
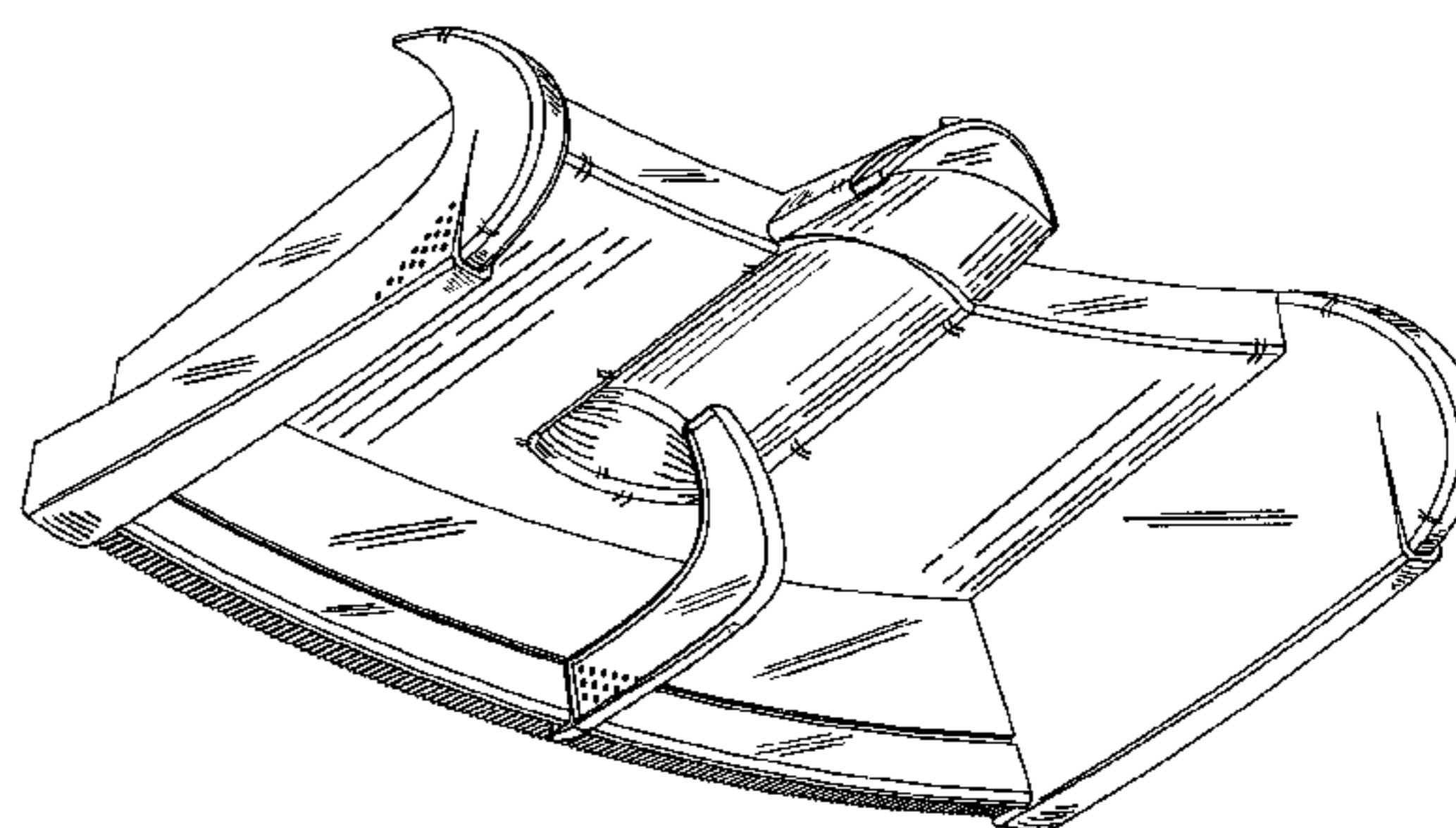
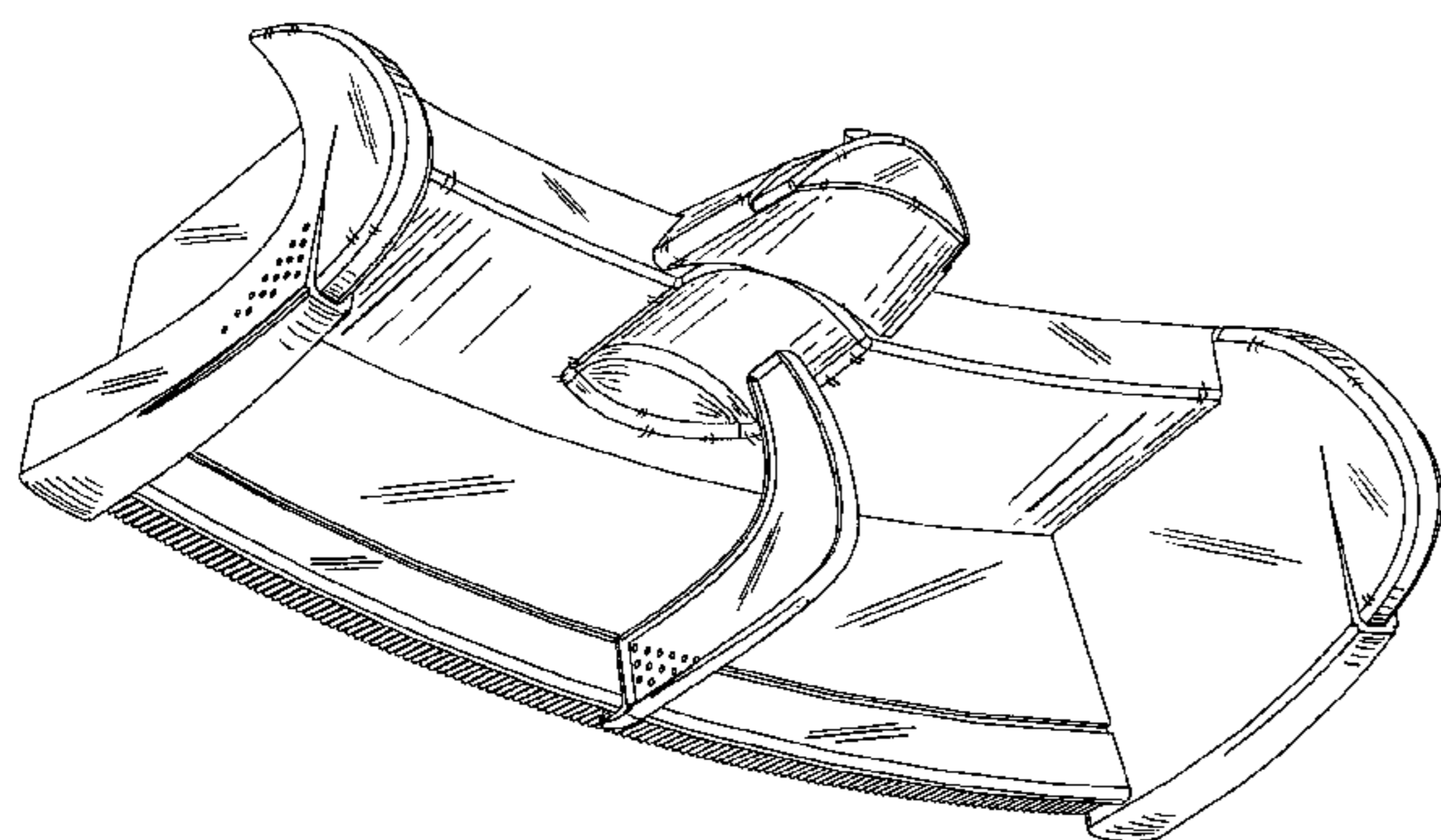
[57] **CLAIM**

The ornamental design for a multimedia stacker rack, as shown and described.

**DESCRIPTION**

FIG. 1 is a front plan view of a single unit of the smaller version of the multimedia stacker rack; FIG. 2 is a side plan view of a single unit of the smaller version of the multimedia stacker rack as seen from the right-hand side, the view from the left-hand side being an identical mirror image; FIG. 3 is a top plan view of a single unit of the smaller version of the multimedia stacker rack, the top plan view of the larger version and an assemblage being identical; FIG. 4 is a bottom plan view of a single unit of the smaller version of the multimedia stacker rack, the bottom plan of the larger version and an assemblage being identical; FIG. 5 is a rear plan view of a single unit of the smaller version of the multimedia stacker rack; FIG. 6 is a front perspective view of a single unit of the smaller version of the multimedia stacker rack; FIG. 7 is a rear perspective view of a single unit of the smaller version of the multimedia stacker rack; FIG. 8 is a front plan view of a single unit of the larger version of the multimedia stacker rack; FIG. 9 is a side plan view of a single unit of the larger version of the multimedia stacker rack as seen from the right-hand side, the view from the left-hand side being an identical mirror image; FIG. 10 is a rear plan view of a single unit of the larger version of the multimedia stacker rack; FIG. 11 is a front perspective view of a single unit of the larger version of the multimedia stacker rack; and, FIG. 12 is a rear perspective view of a single unit of the larger version of the multimedia stacker rack.

**1 Claim, 12 Drawing Sheets**



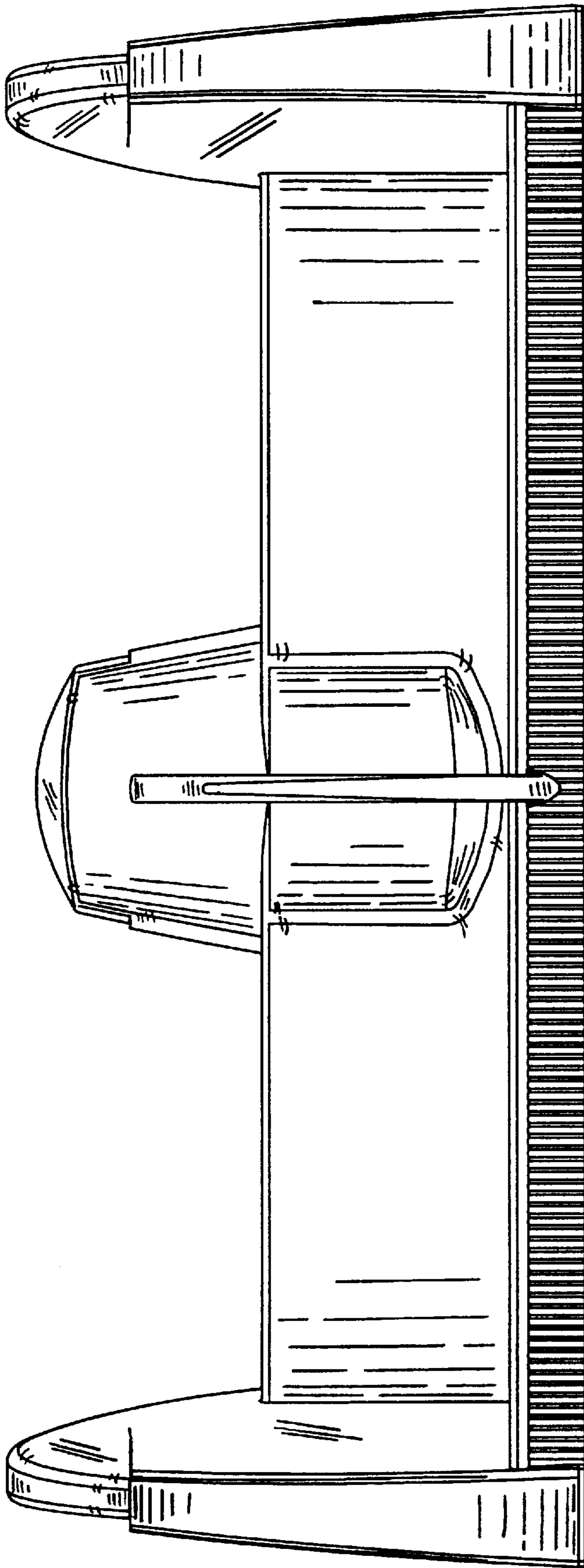


FIGURE 1

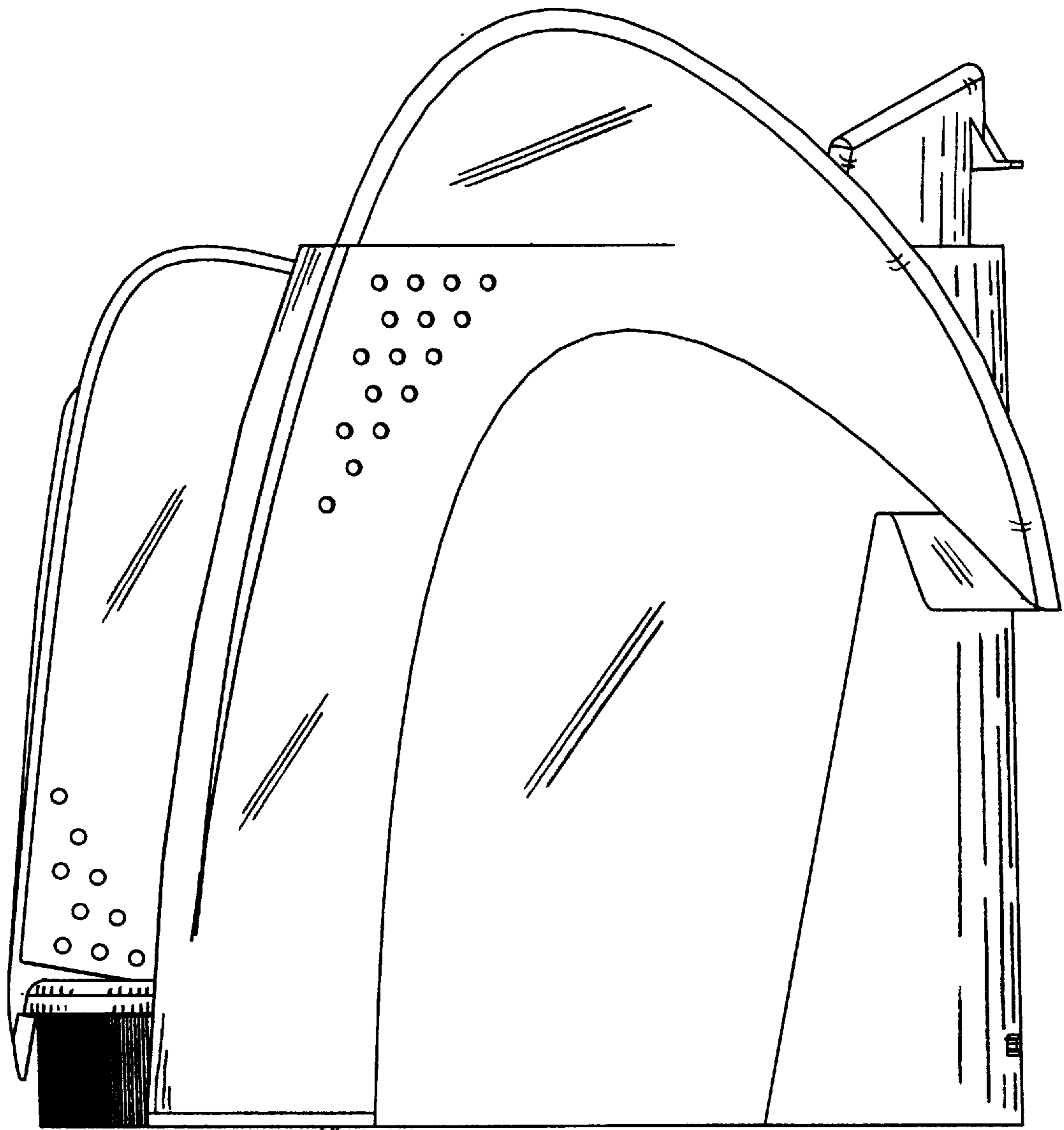


FIGURE 2



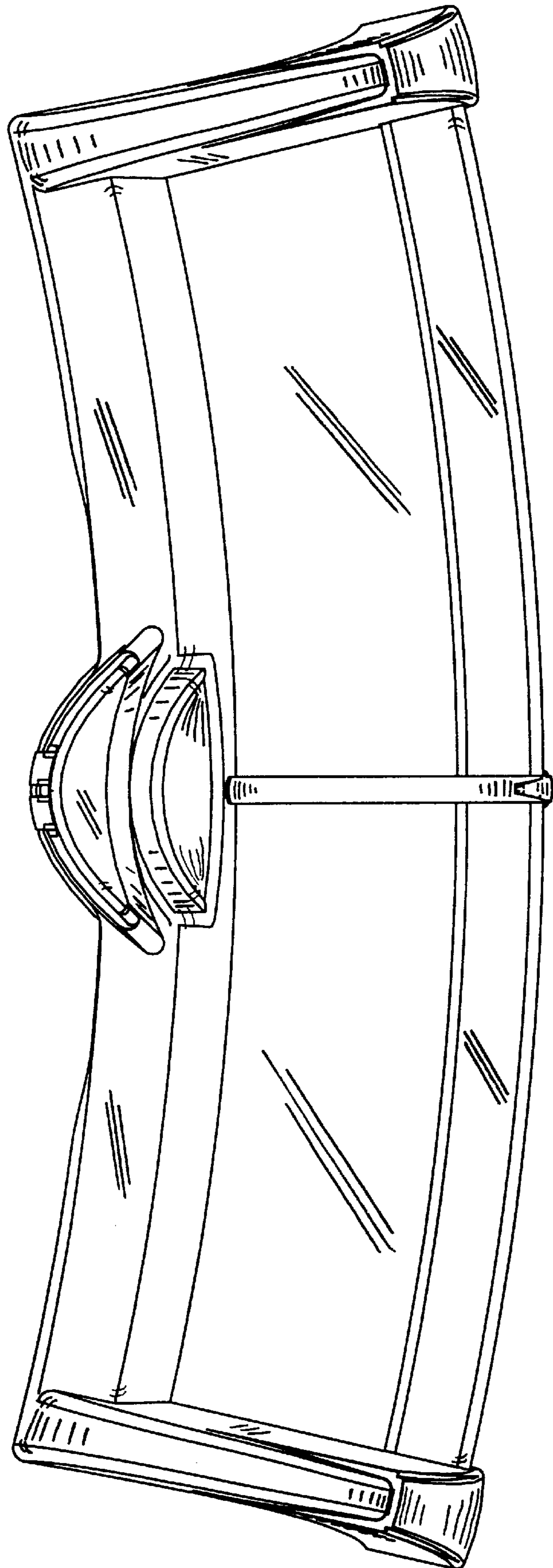


FIGURE 3

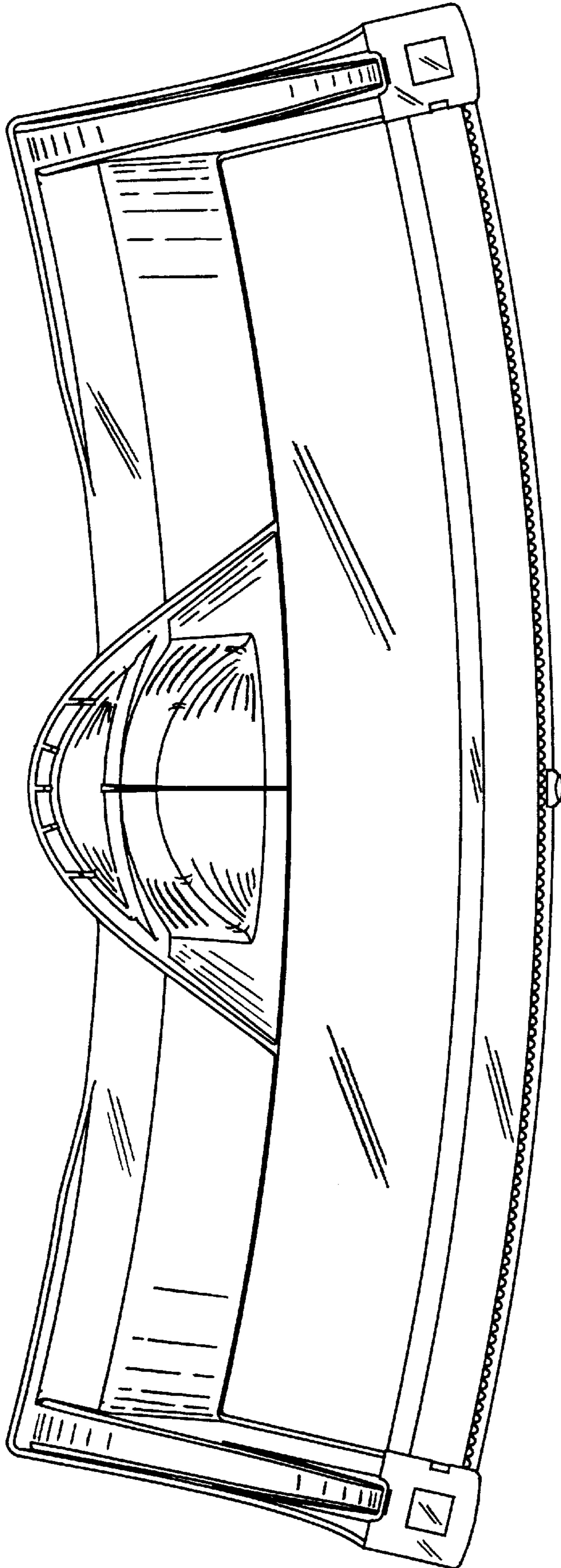


FIGURE 4

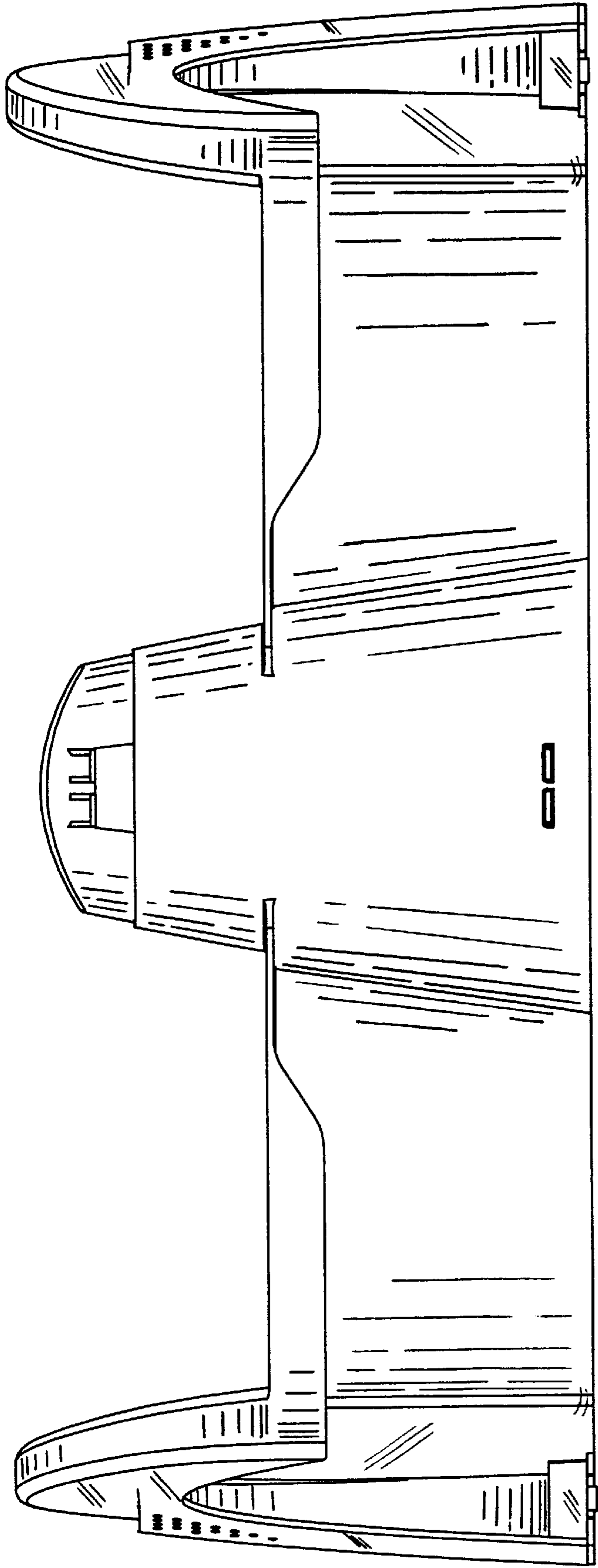


FIGURE 5

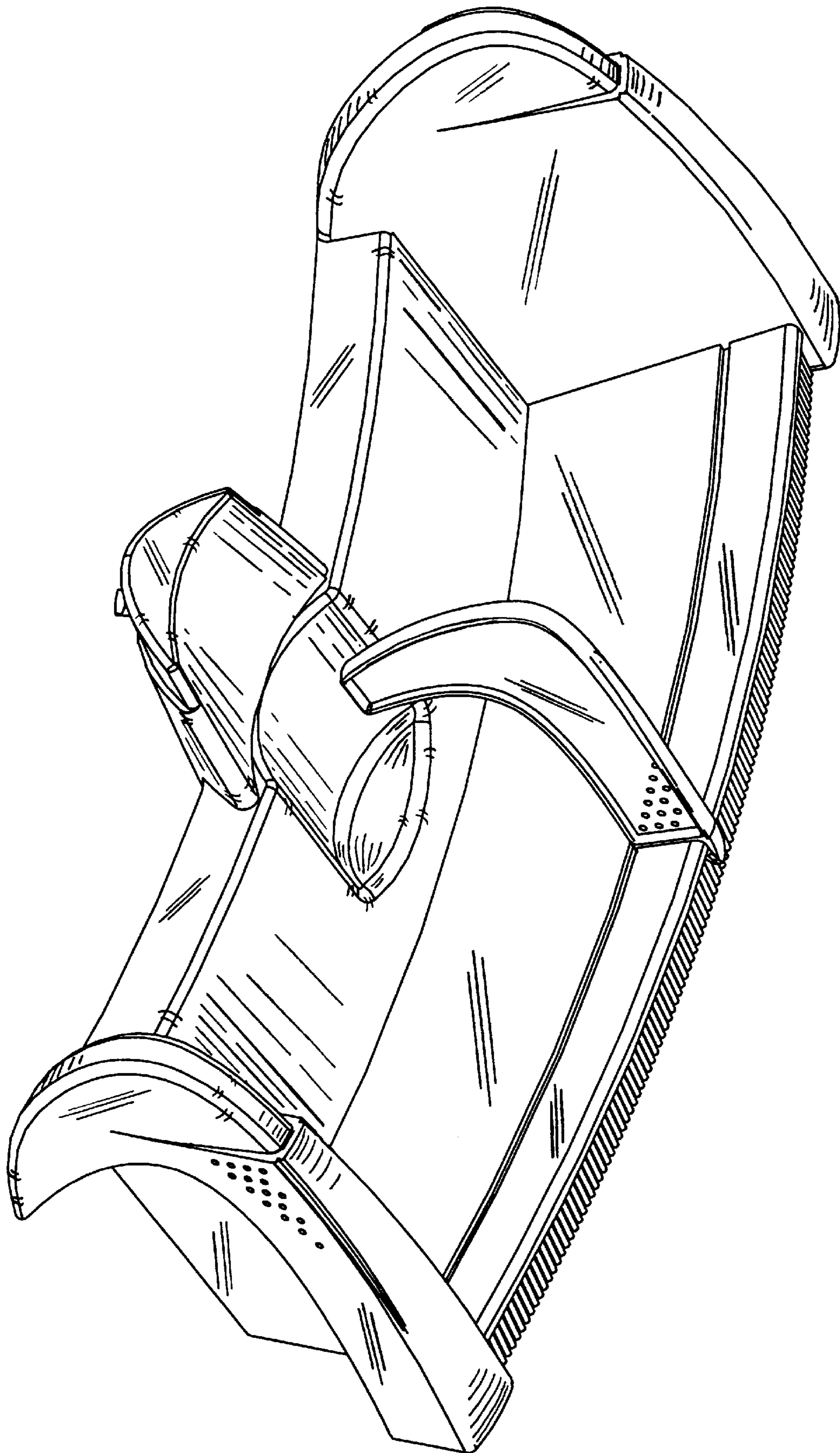


FIGURE 6



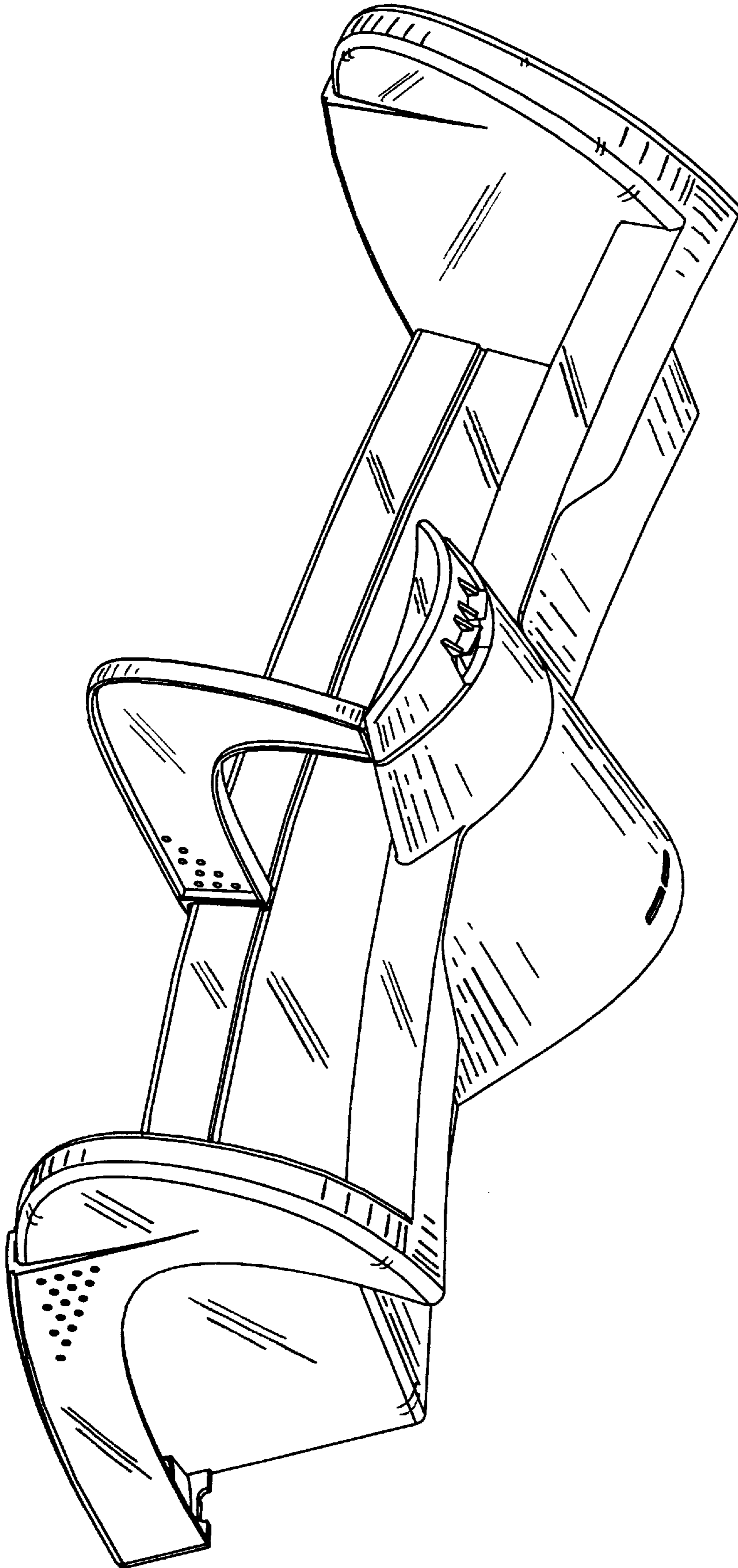


FIGURE 7



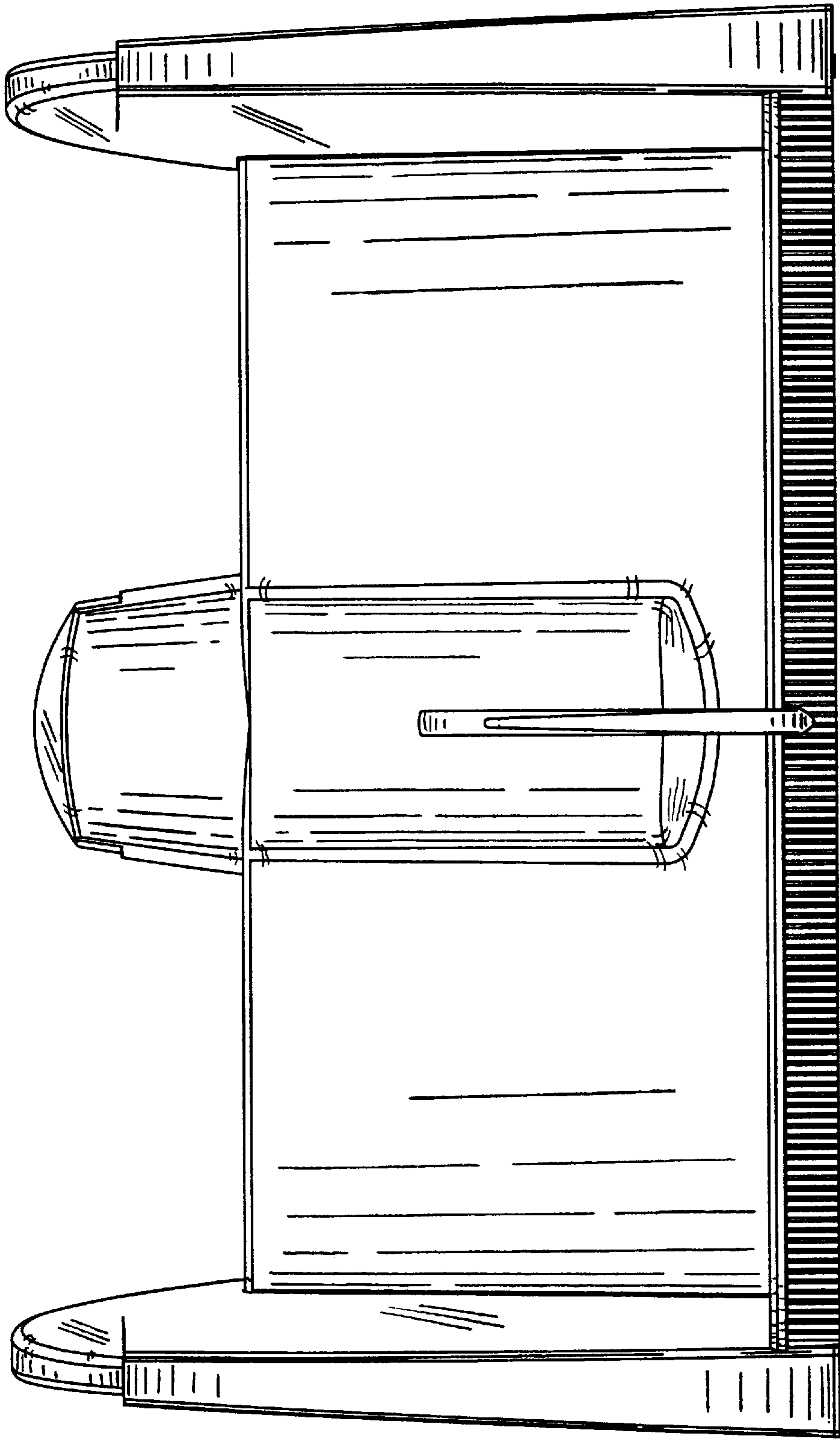


FIGURE 8

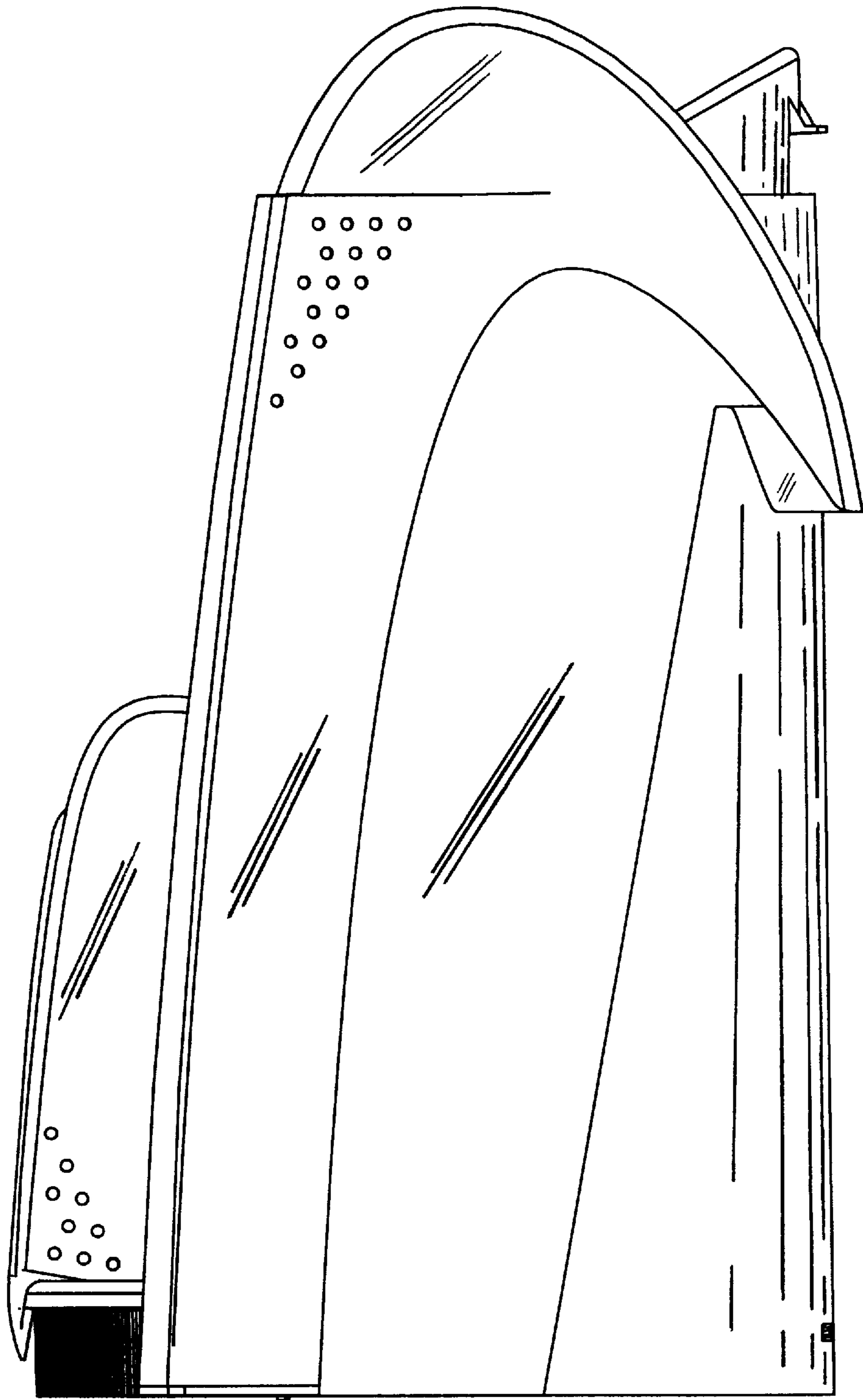


FIGURE 9

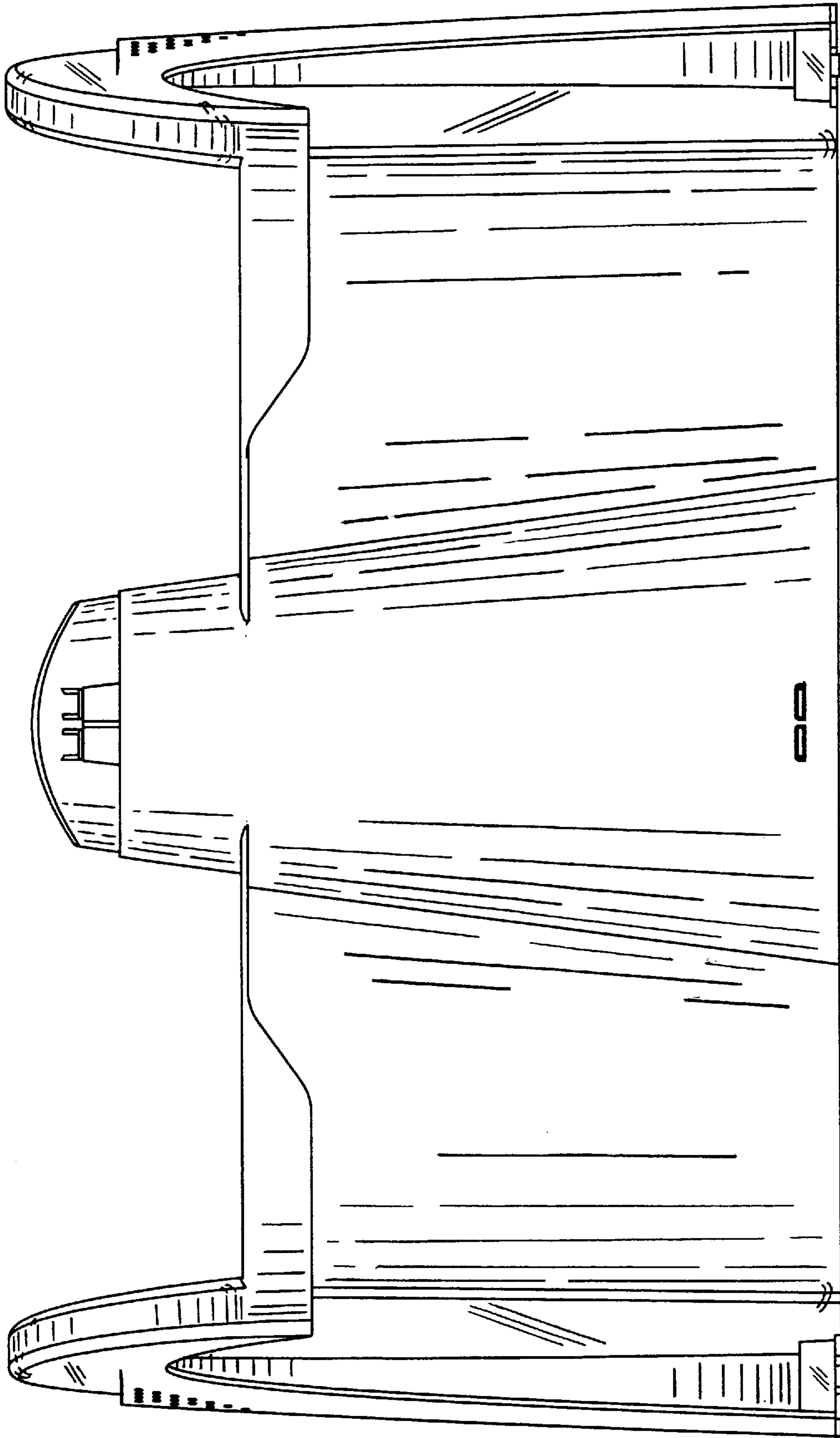


FIGURE 10

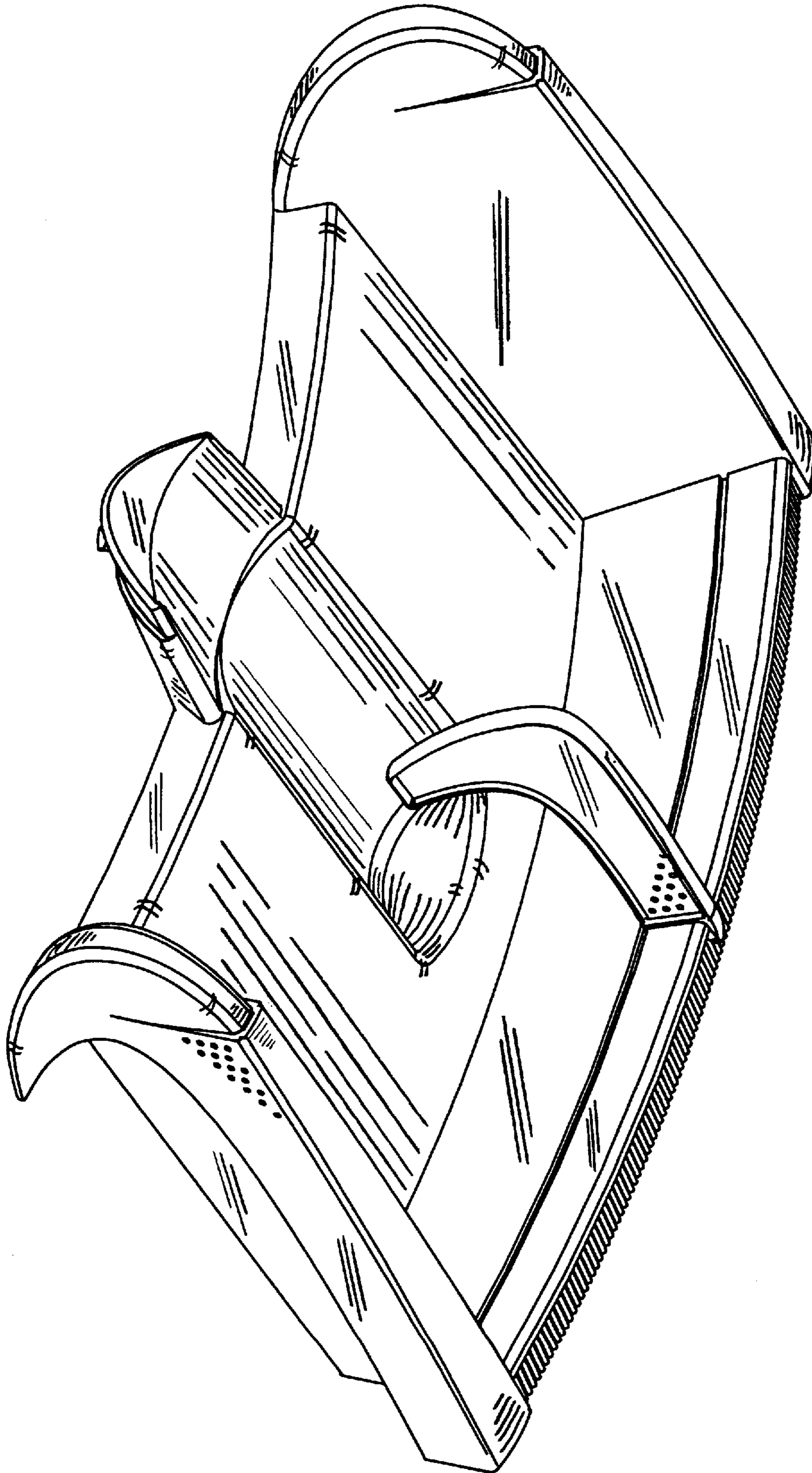


FIGURE 11



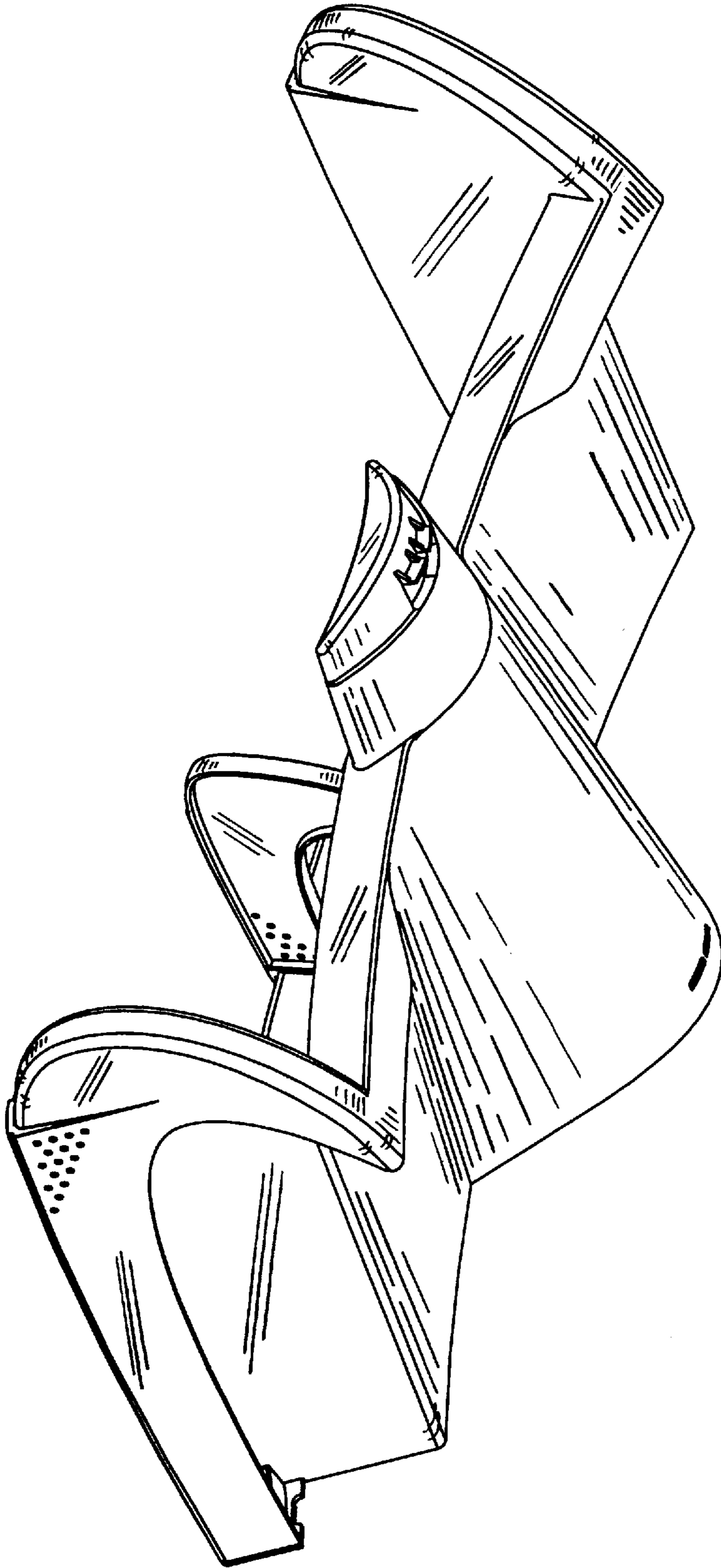


FIGURE 12