



US00D397881S

United States Patent [19]

Velidedeoglu et al.

[11] Patent Number: **Des. 397,881**

[45] Date of Patent: ****Sep. 8, 1998**

[54] **MASTER BED FRAME**

Attorney, Agent, or Firm—Michael Ebert

[76] Inventors: **Alinur Velidedeoglu**, 641 E. 51st St. #49 B, New York, N.Y. 10022; **Haluk Velidedeoglu**, 13-11 Fairclough Pl., Fair Lawn, N.J. 07410

[57] **CLAIM**

The ornamental design for a master bed frame, as shown and described.

[**] Term: **14 Years**

DESCRIPTION

[21] Appl. No.: **78,160**

FIG. 1 is a perspective front left view of our design for a master bed frame;

[22] Filed: **Oct. 6, 1997**

[51] **LOC (6) Cl.** **06-01**

FIG. 2 is a perspective view which is the same as that in FIG. 1 except that the drawers on the left and right sides of the frame are pulled out;

[52] **U.S. Cl.** **D6/384; D6/382**

[58] **Field of Search** D6/382-384, 390-395; 5/2.1, 279.1, 280, 907, 308

FIG. 3 is an elevational view as seen from the front end of the frame;

[56] **References Cited**

U.S. PATENT DOCUMENTS

D. 243,218 2/1977 Baker D6/382
1,466,599 8/1923 Purdon 5/308

FIG. 4 is an elevational view as seen from the right side of the frame;

OTHER PUBLICATIONS

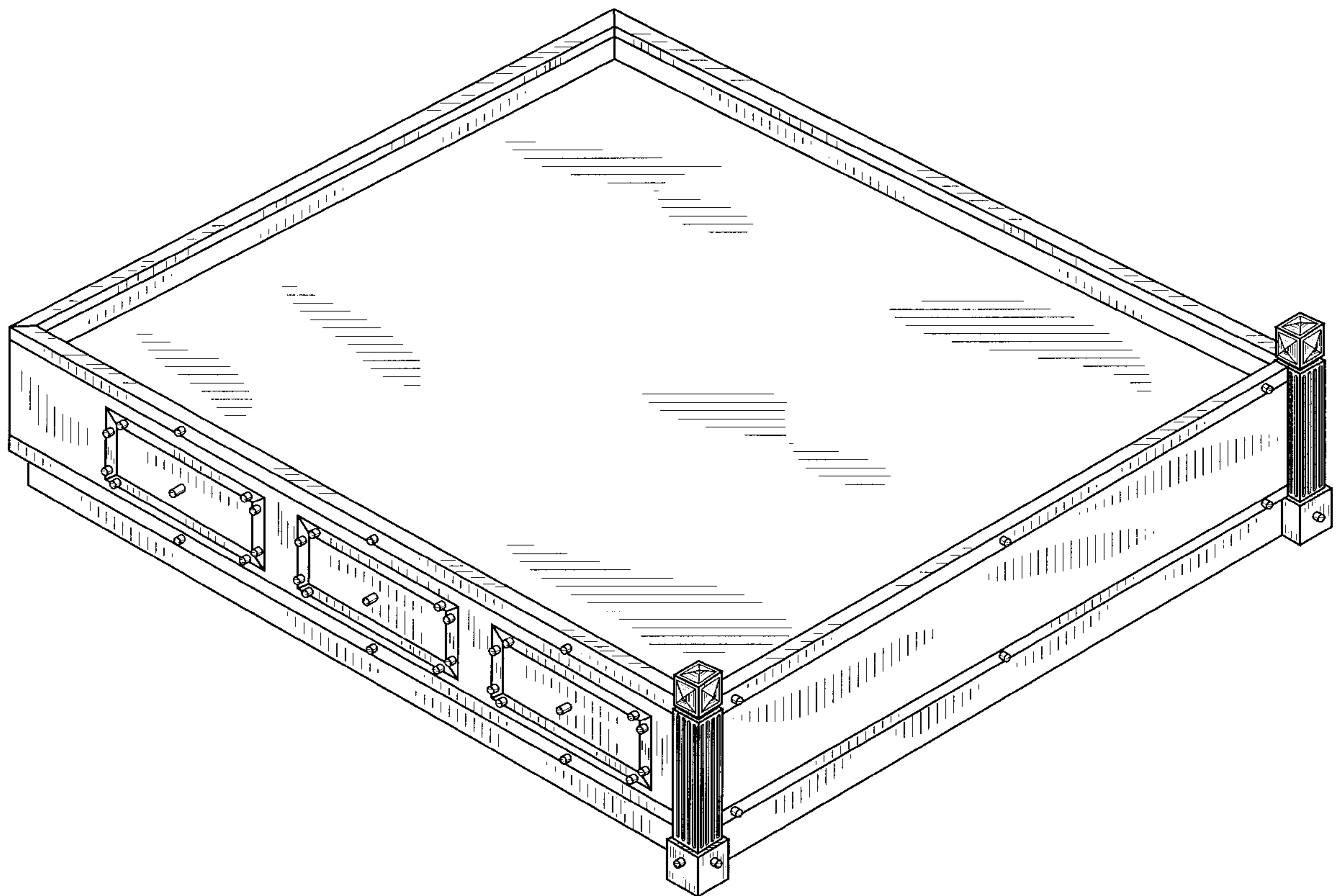
Furniture Today, Oct. 21, 1996, Keller bed in center, p. 184.
House and Garden., Nov. 1953, dog bed.

FIG. 5 is an elevational view as seen from the rear end of the frame; and,

FIG. 6 is a top view of the frame.

Primary Examiner—Janice E. Seeger

1 Claim, 4 Drawing Sheets



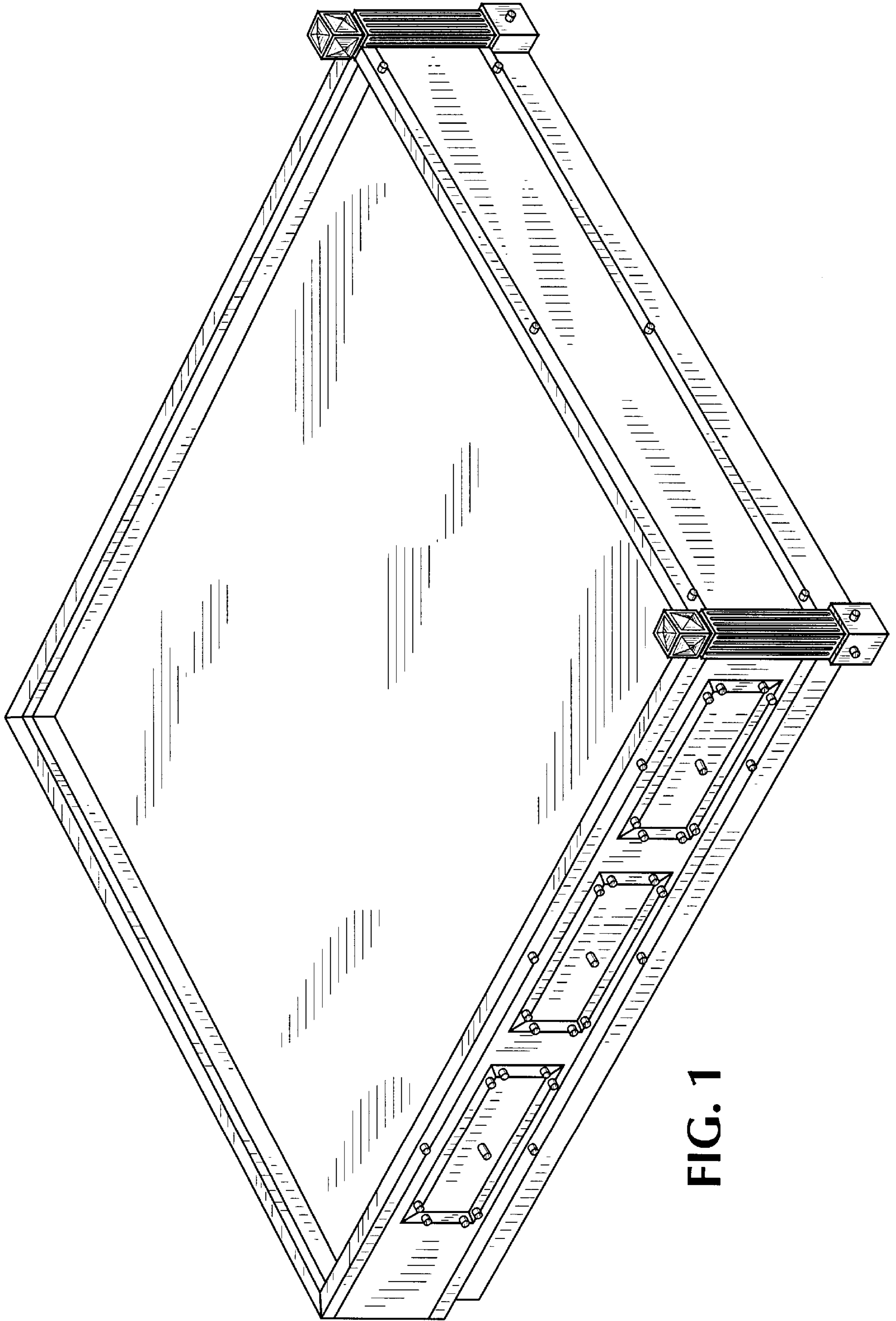


FIG. 1

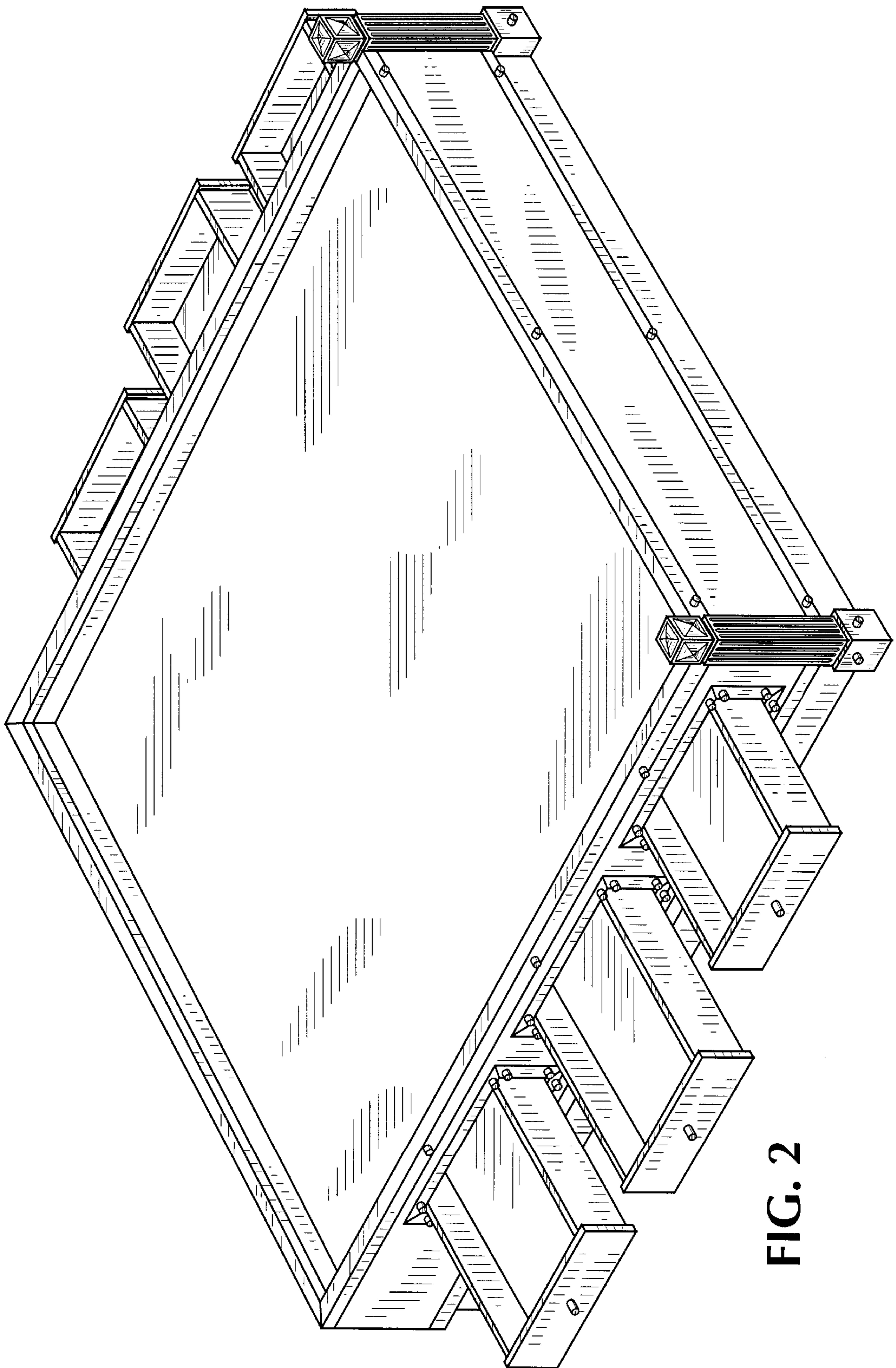


FIG. 2

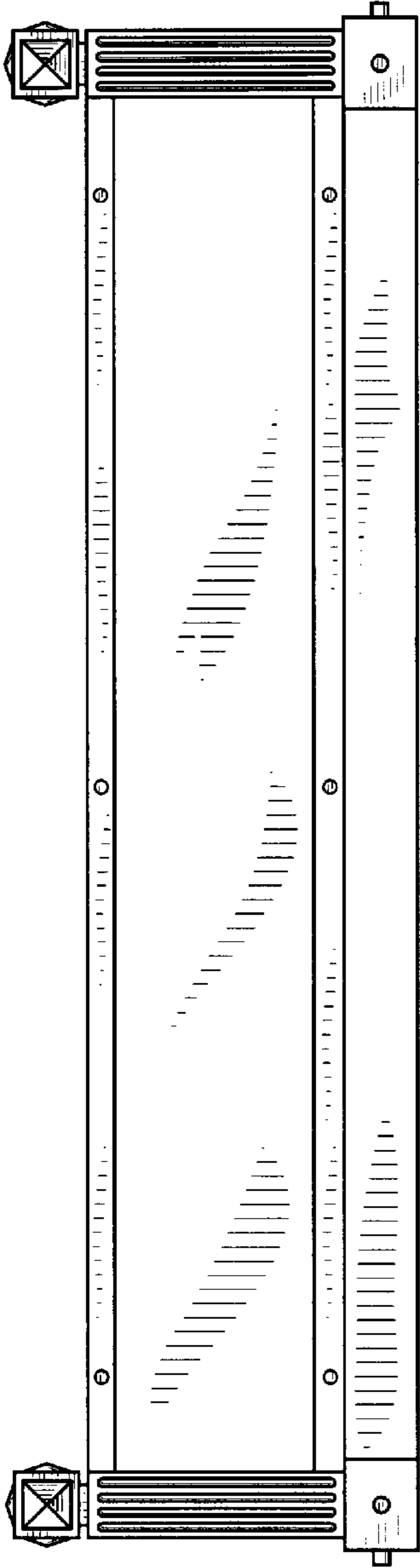


FIG. 3

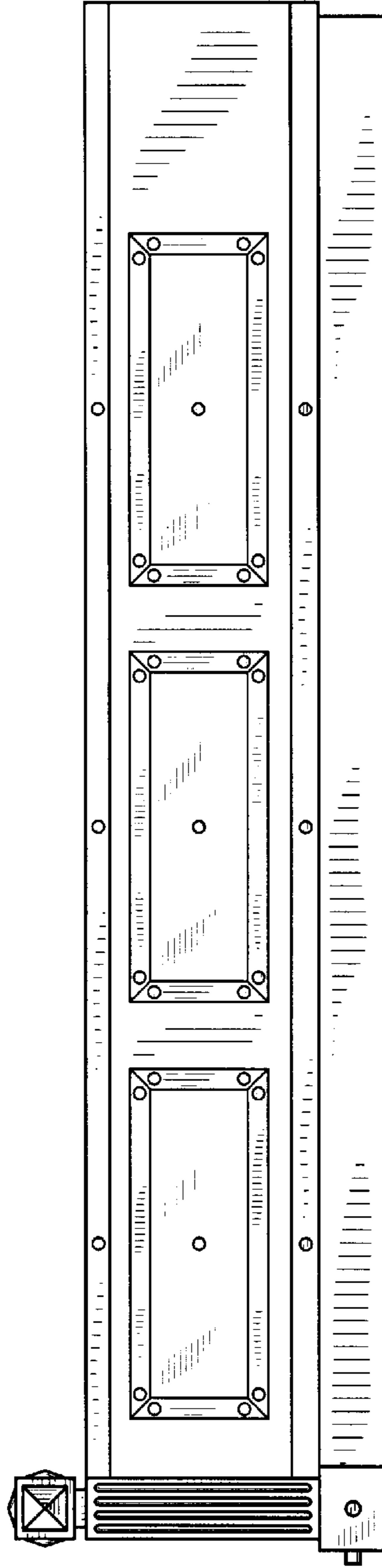


FIG. 4

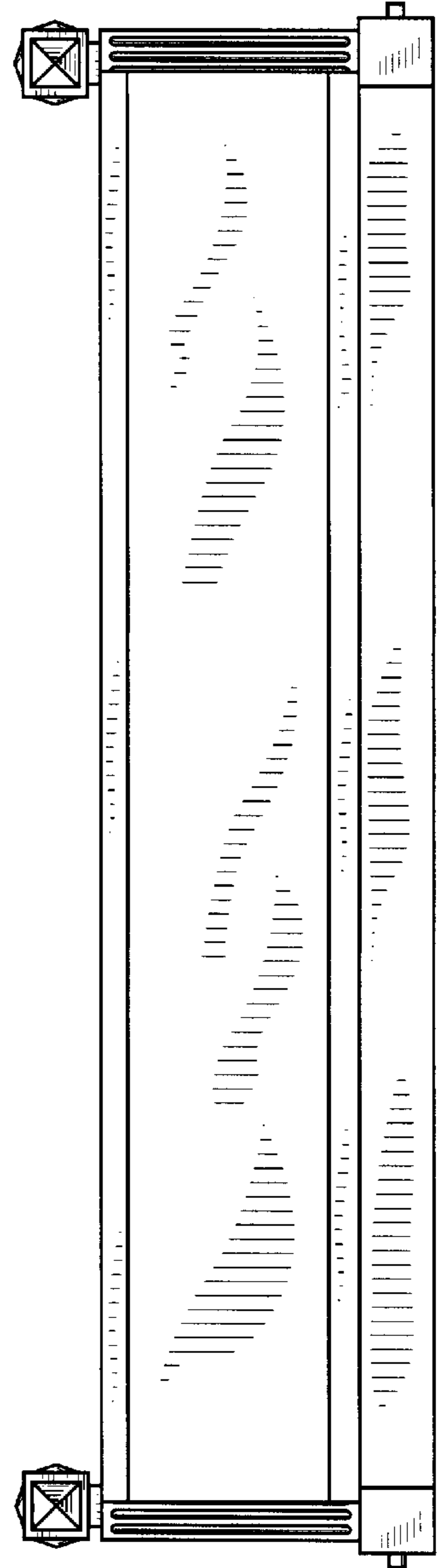


FIG. 5

FIG. 6

