



US00D397880S

United States Patent [19] Saul

[11] **Patent Number:** **Des. 397,880**

[45] **Date of Patent:** ****Sep. 8, 1998**

[54] **STACKABLE CHAIR**

[75] Inventor: **Gregory Mark Saul**, Charlotte, N.C.

[73] Assignee: **Allsteel Inc.**, Aurora, Ill.

[**] Term: **14 Years**

[21] Appl. No.: **71,724**

[22] Filed: **Jun. 2, 1997**

[51] **LOC (6) Cl.** **06-01**

[52] **U.S. Cl.** **D6/380; D6/379**

[58] **Field of Search** D6/334, 374, 379,
D6/380, 500, 501, 502; 297/445.1, 446.1

[56] **References Cited**

U.S. PATENT DOCUMENTS

D. 180,600	7/1957	Jakobsen	D6/380
D. 236,862	9/1975	Grosfiller	D6/380
D. 298,390	11/1988	Bellini	D6/379
D. 308,143	5/1990	Lohmeyer	D6/379
D. 321,098	10/1991	Toffoloni	D6/379
D. 344,418	2/1994	Favaretto	D6/380 X
D. 353,498	12/1994	Cox	D6/380
D. 355,081	2/1995	Scheper	D6/380
D. 359,177	6/1995	Bartilmae	D6/380
D. 361,675	8/1995	Ruy	D6/379

D. 376,485 12/1996 Cretcher D6/379

Primary Examiner—Gary D. Watson
Attorney, Agent, or Firm—Jones, Day, Reavis & Pogue

[57] **CLAIM**

The ornamental design for a stackable chair, as shown and described.

DESCRIPTION

FIG. 1 is a perspective view of my ornamental design for a stackable chair;
 FIG. 2 is a front elevational view thereof;
 FIG. 3 is a rear elevational view thereof;
 FIG. 4 is a side elevational view thereof, the right and left sides being identical mirror images thereof;
 FIG. 5 is a top view thereof;
 FIG. 6 is a bottom view thereof;
 FIG. 7 is perspective view of another embodiment of my ornamental design for a stackable chair;
 FIG. 8 is a front elevational view thereof;
 FIG. 9 is a rear elevational view thereof;
 FIG. 10 is a side elevational view thereof, the right and left sides being identical mirror images thereof;
 FIG. 11 is a top view thereof; and,
 FIG. 12 is a bottom view thereof.

1 Claim, 4 Drawing Sheets

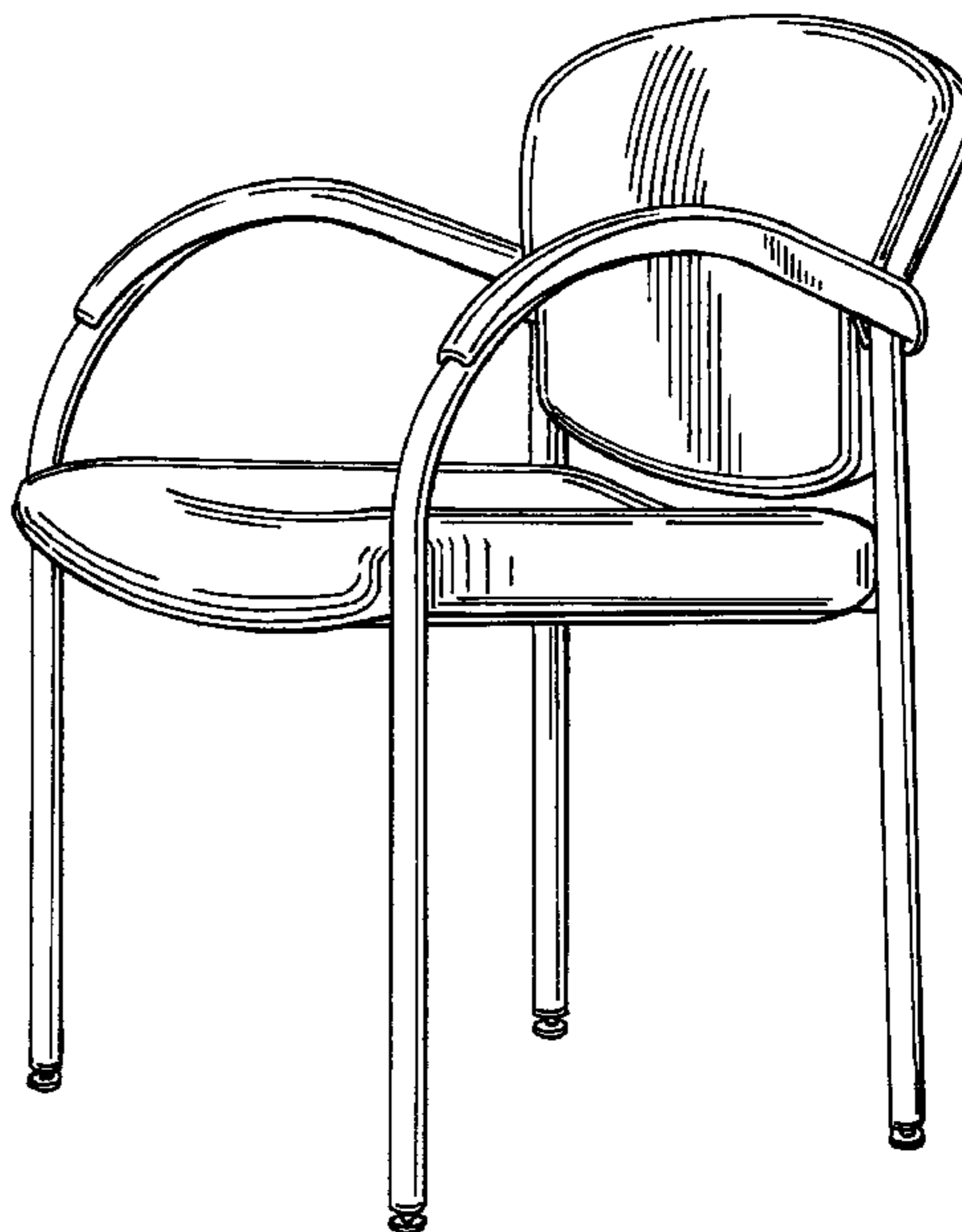
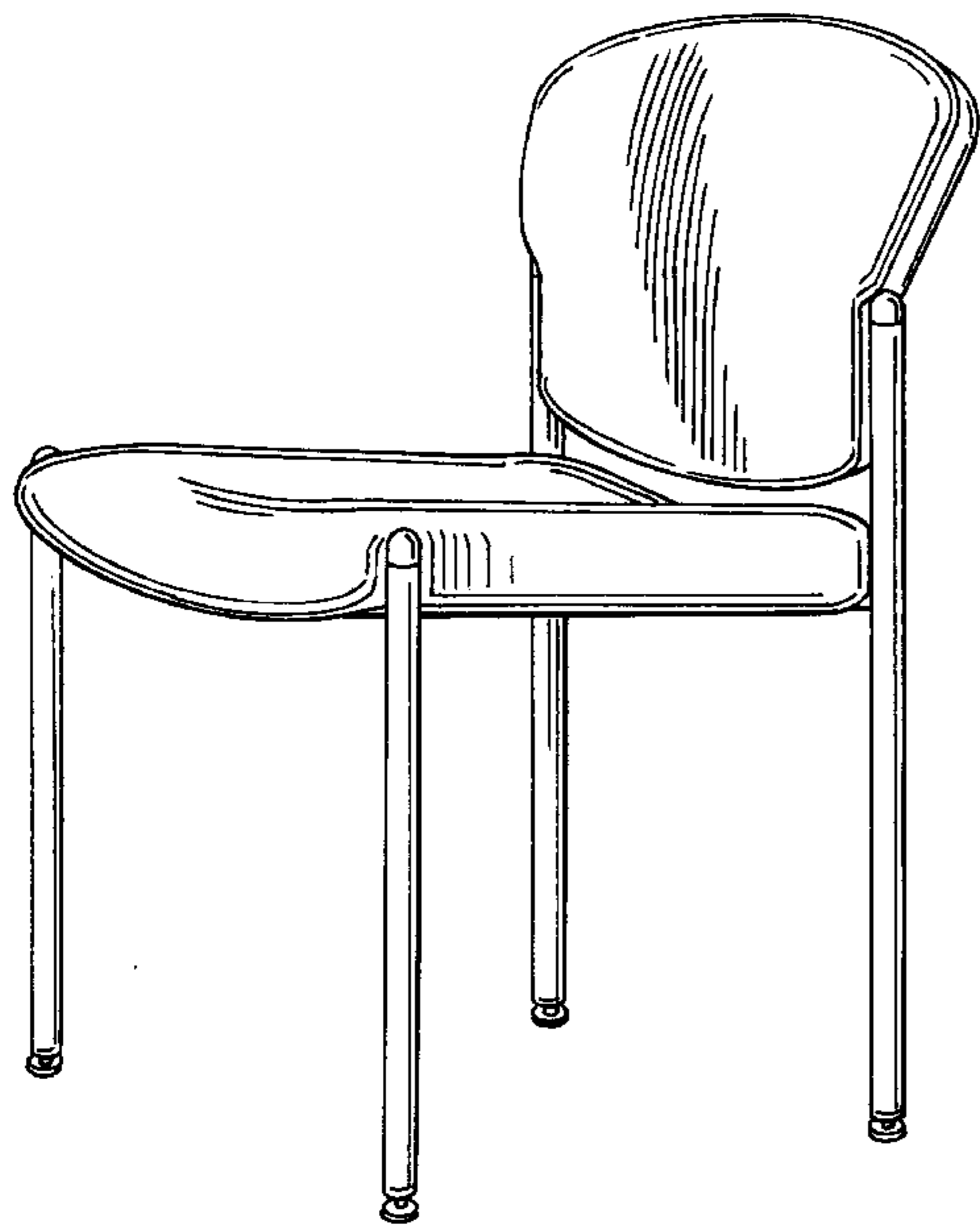


FIG. 3

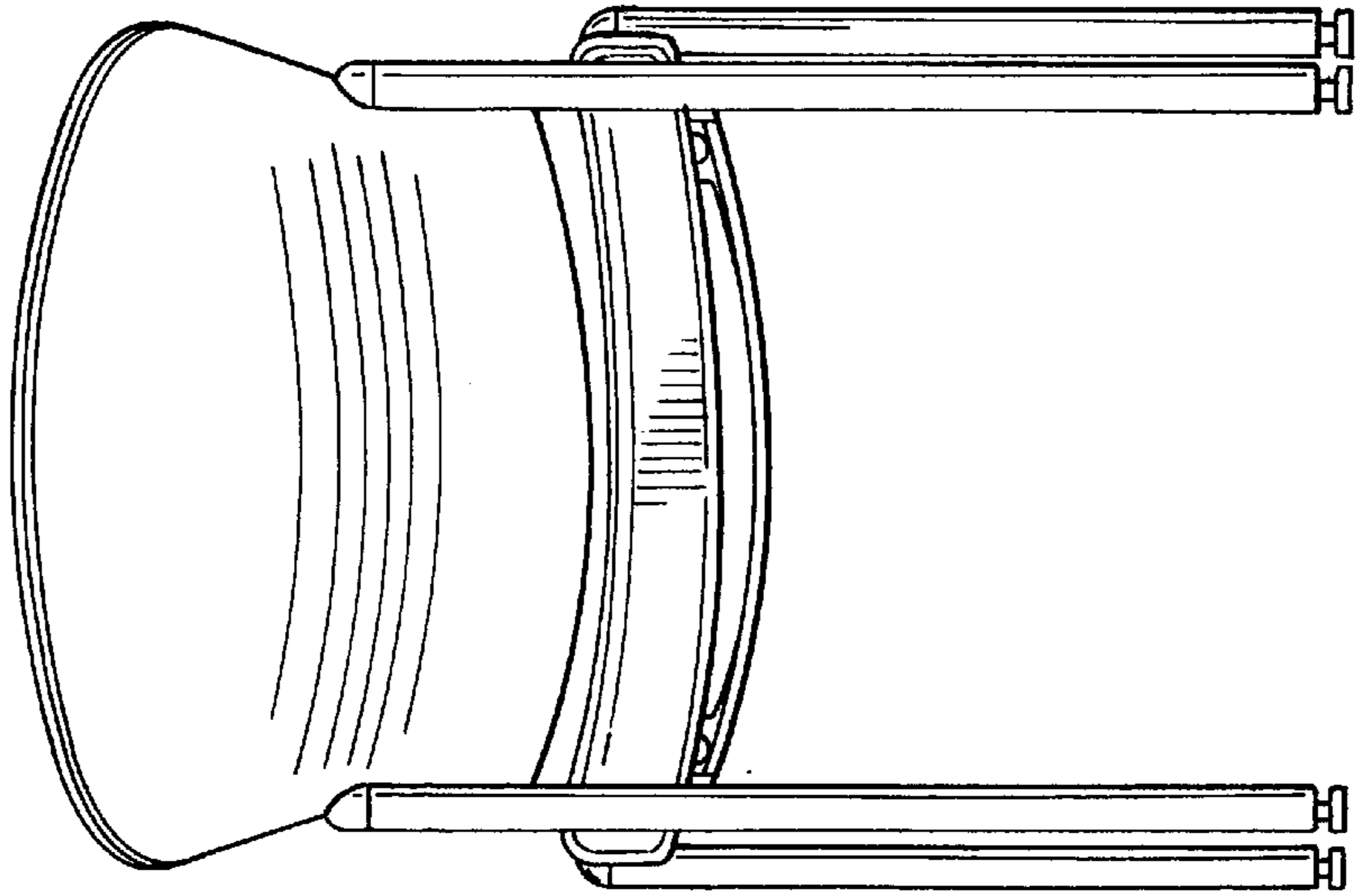


FIG. 2

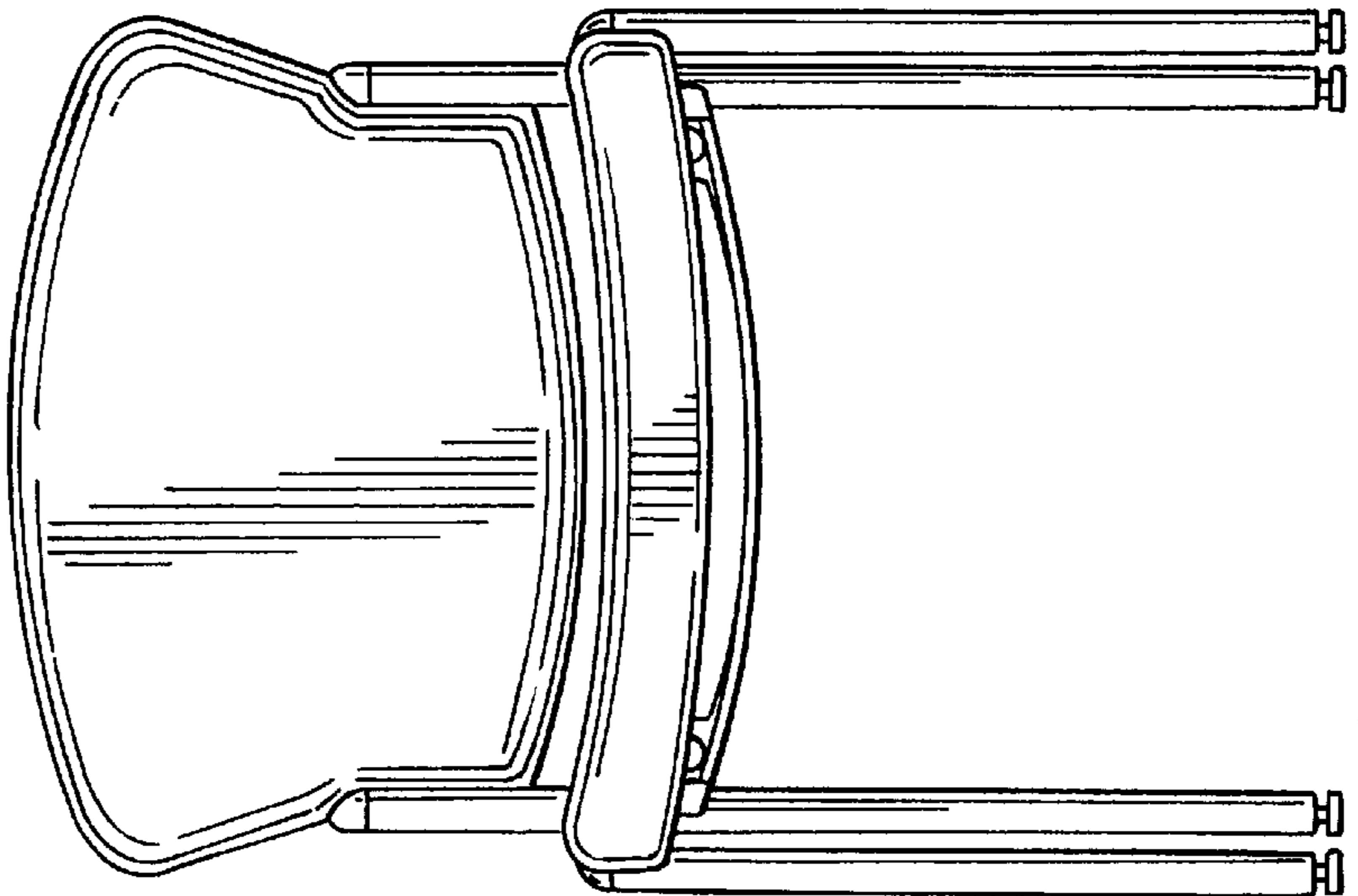


FIG. 1

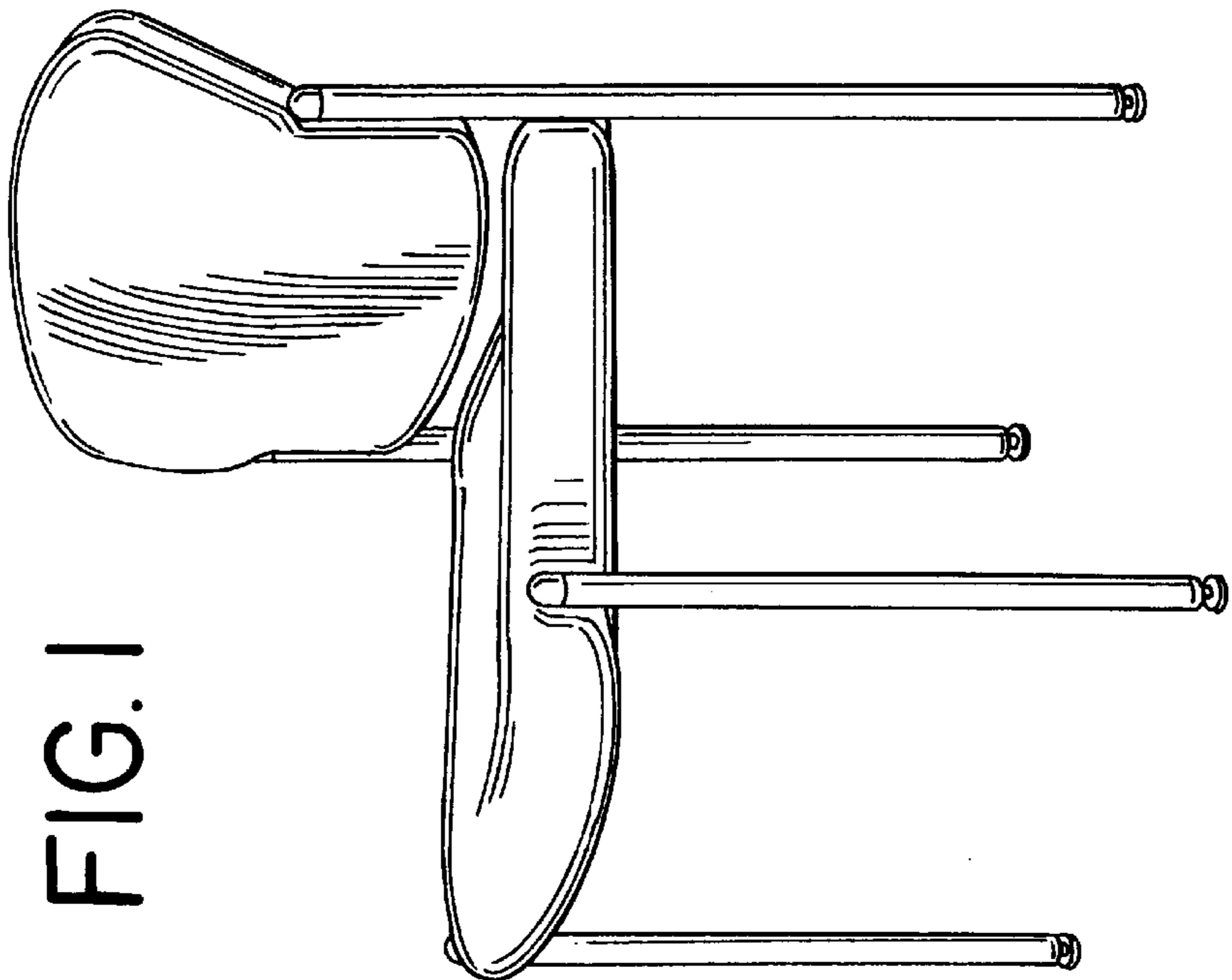


FIG. 5

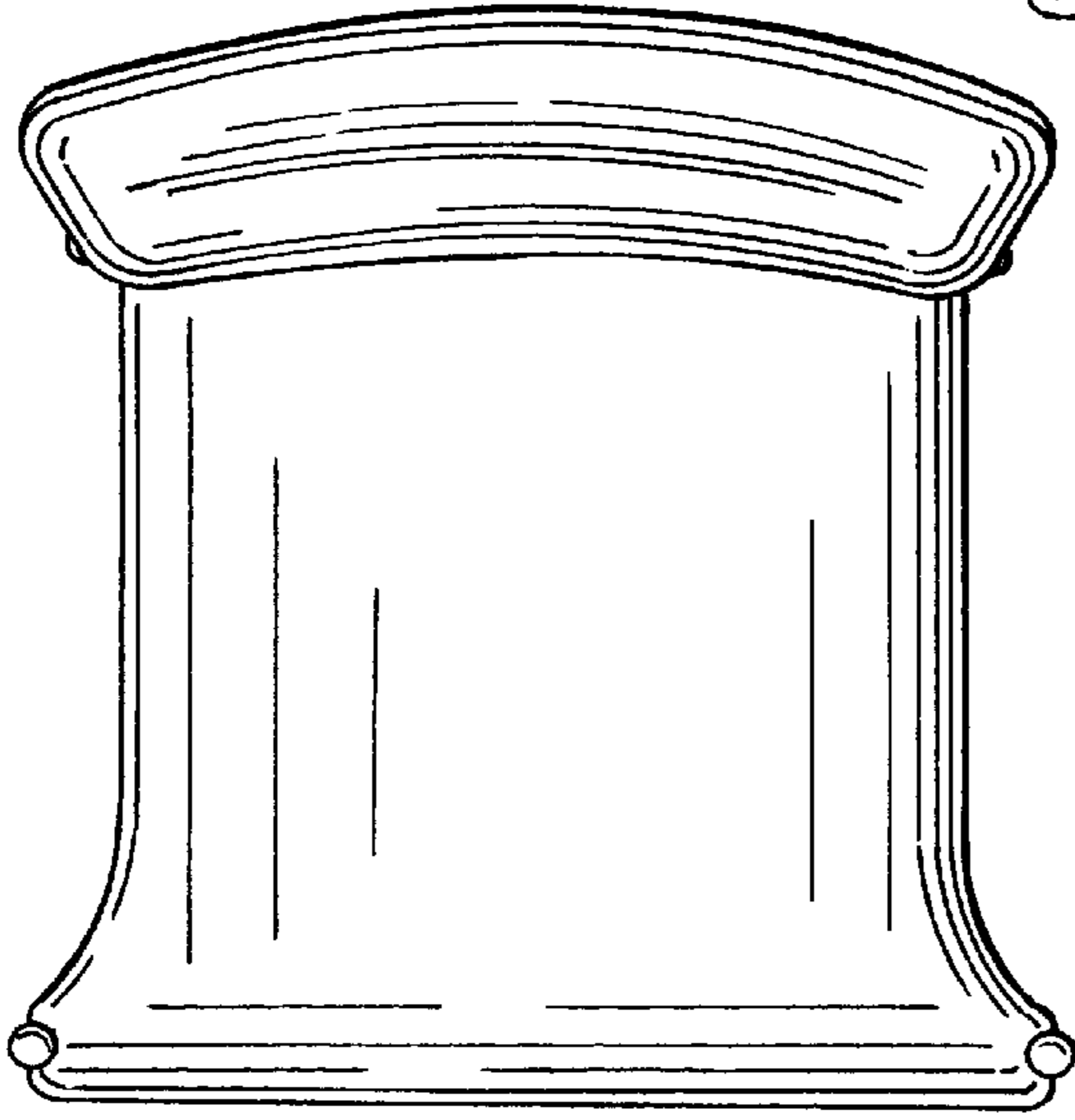


FIG. 6

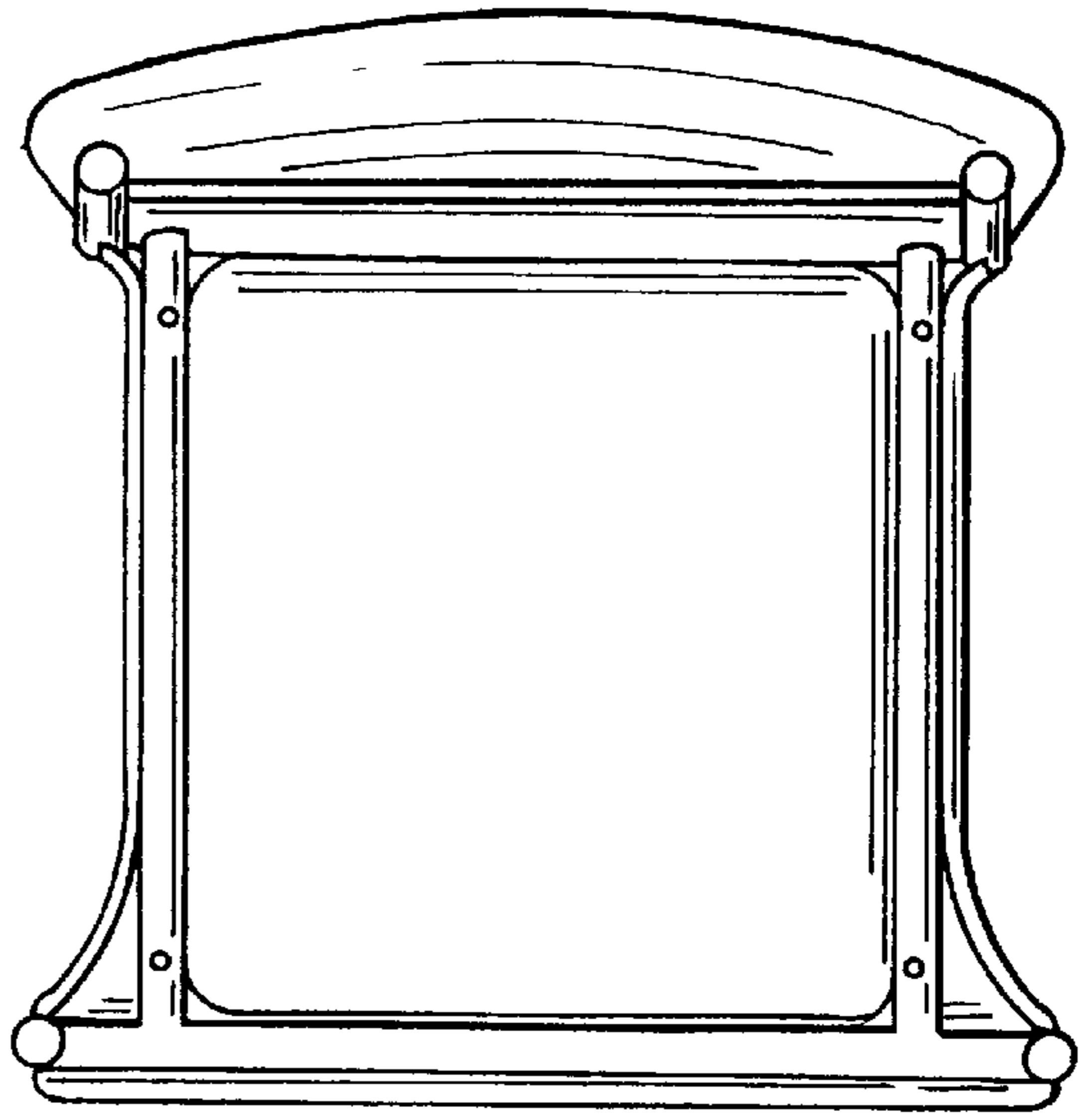


FIG. 4

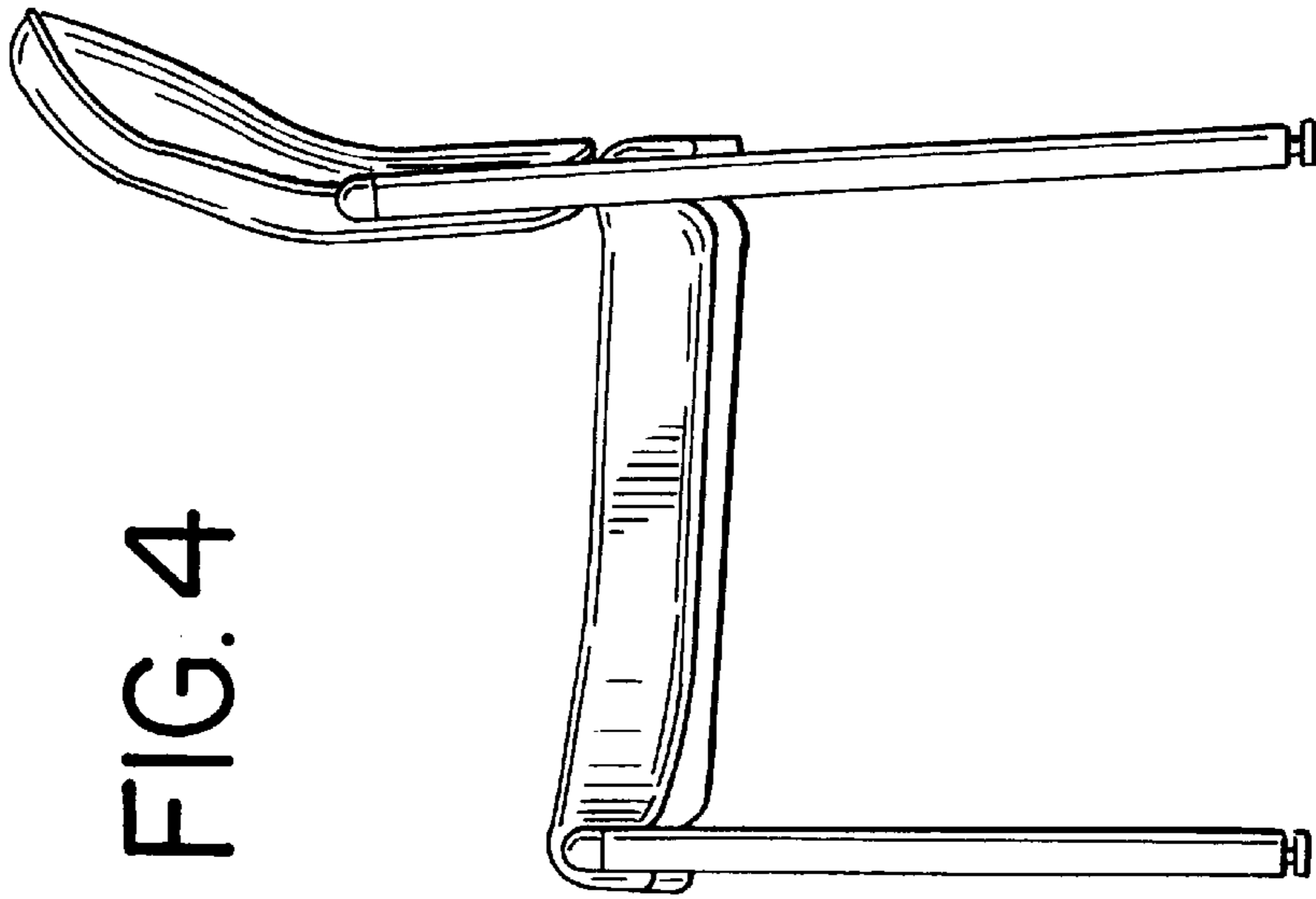


FIG. 7

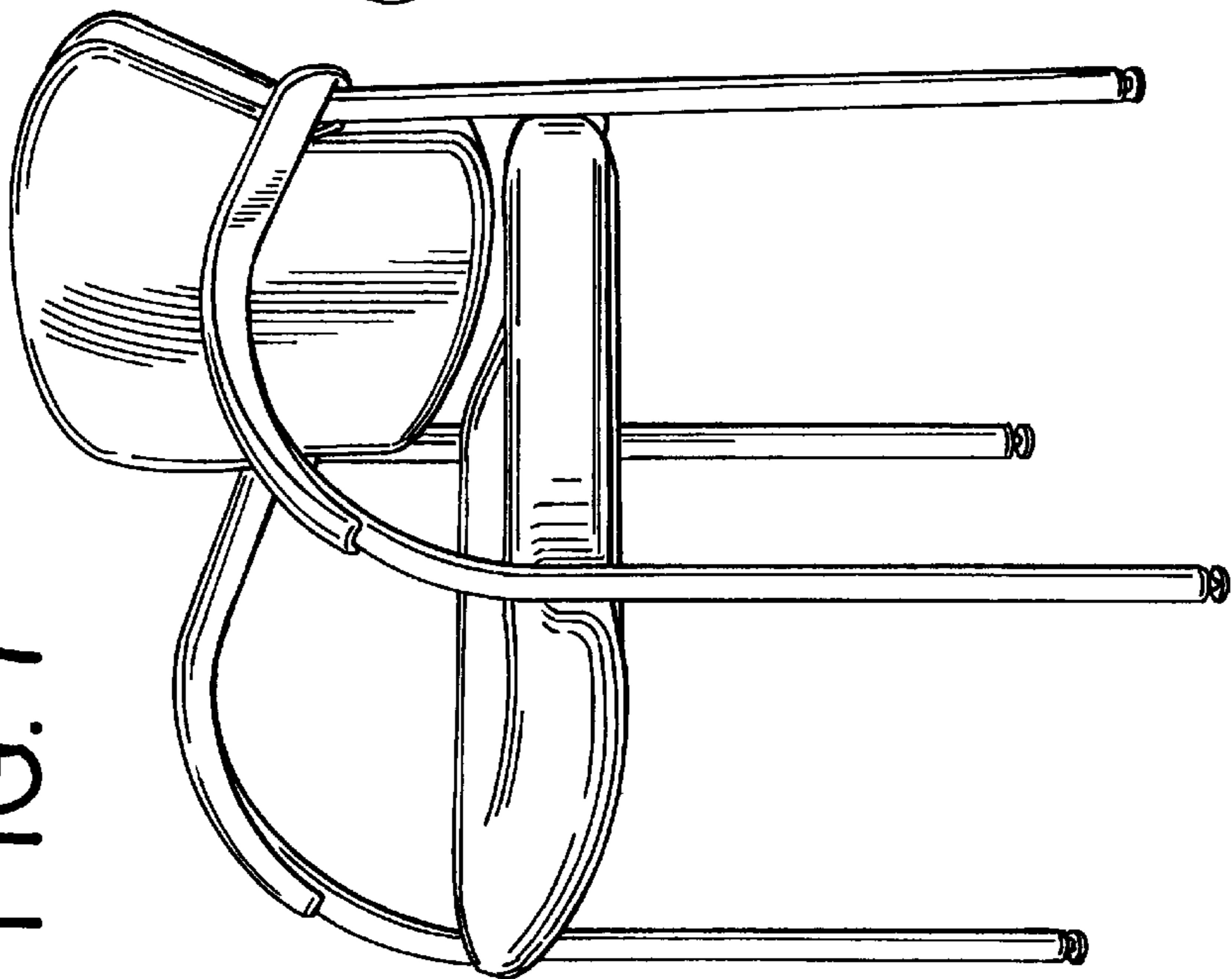


FIG. 8

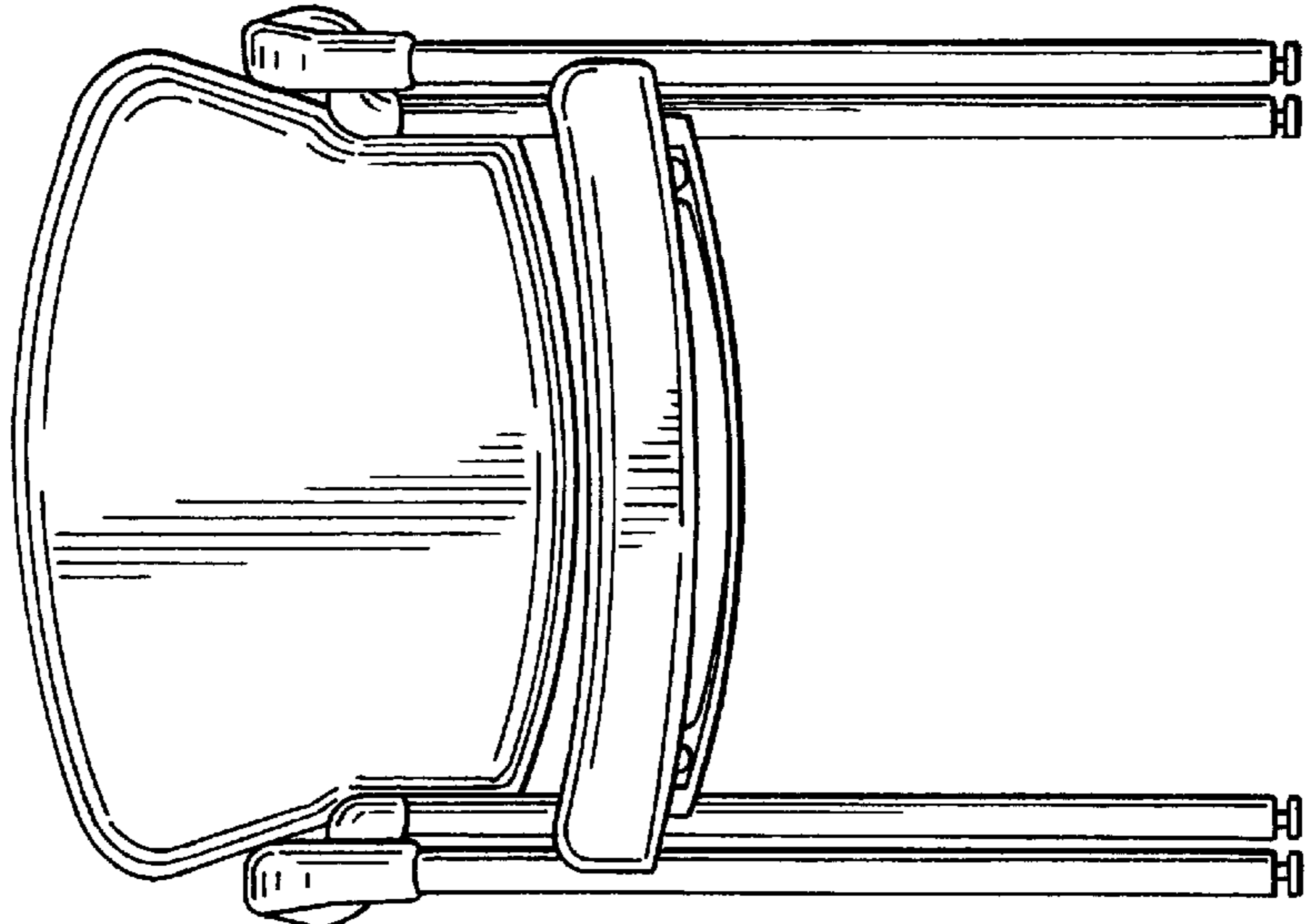


FIG. 9

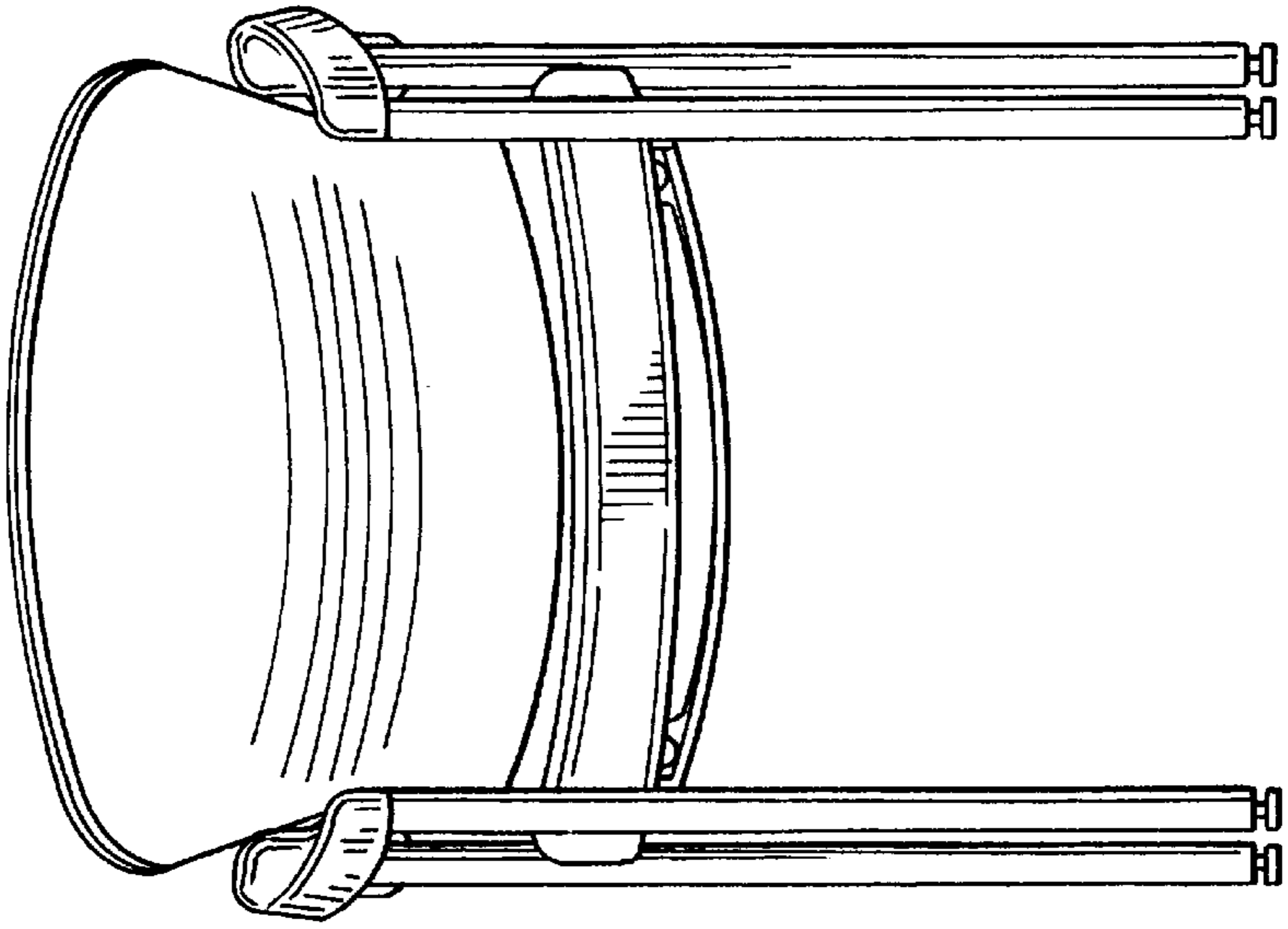


FIG. 11

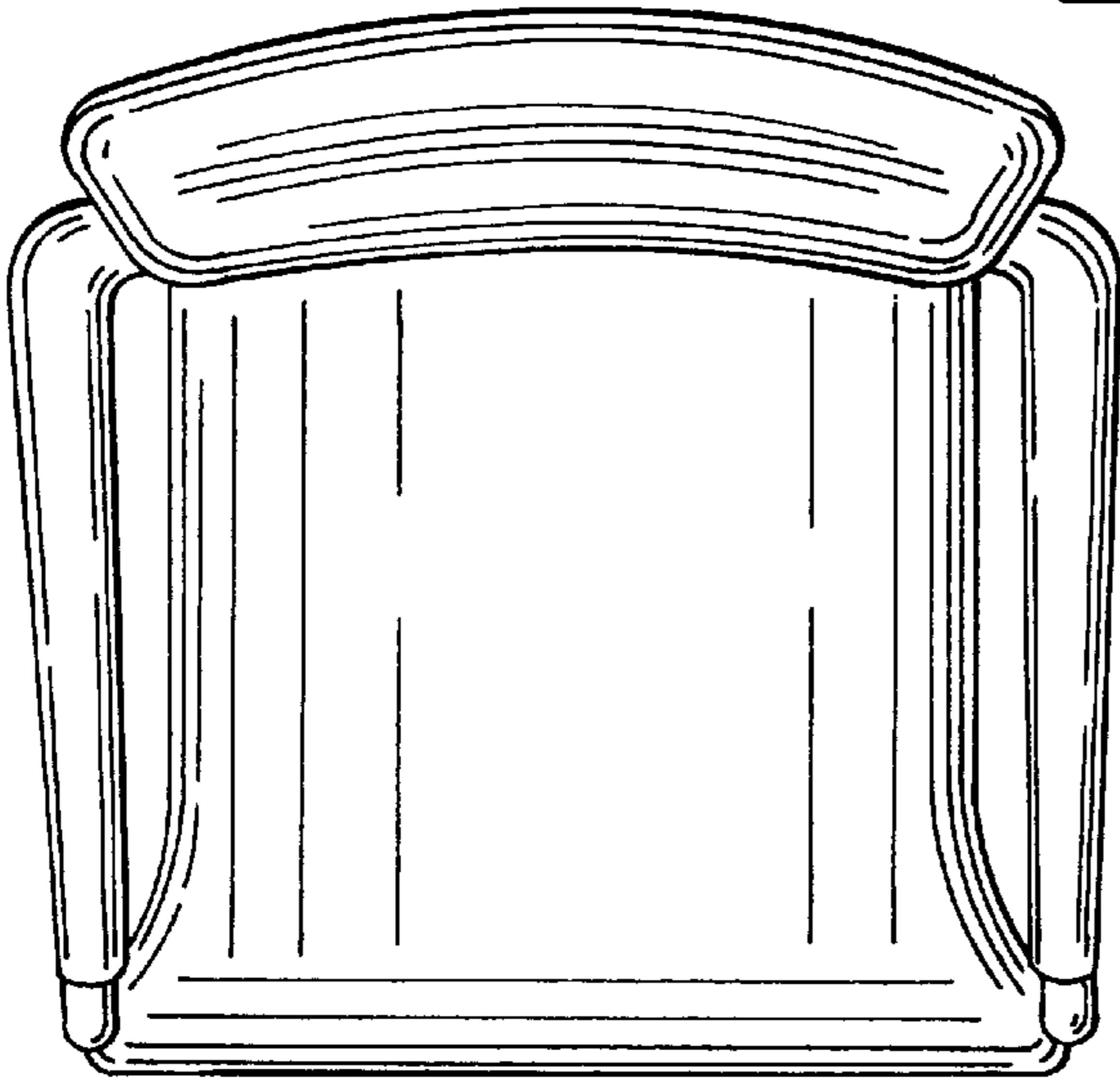


FIG. 10

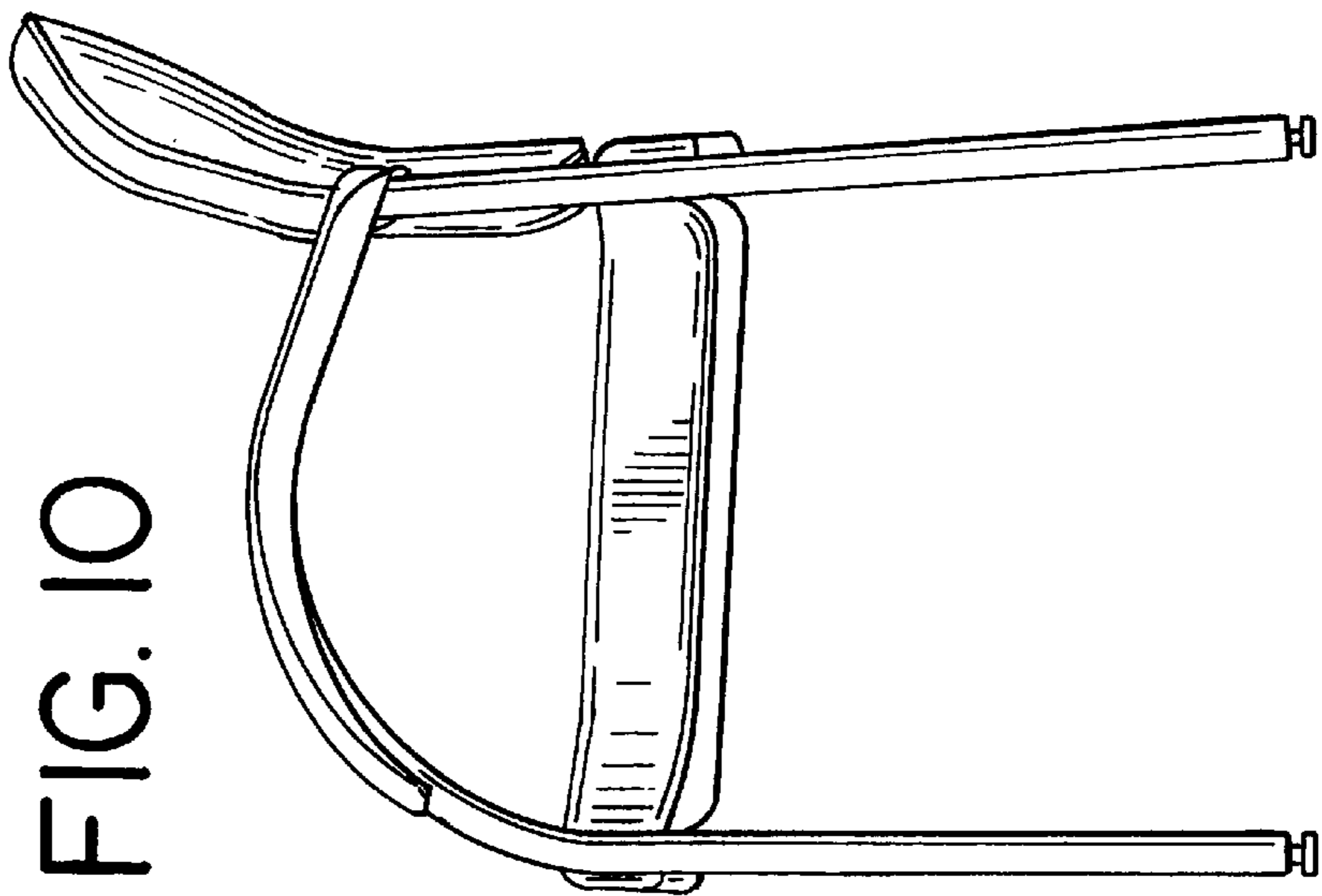


FIG. 12

