



US00D397871S

**United States Patent** [19]  
**Bellehchilli**

[11] **Patent Number: Des. 397,871**

[45] **Date of Patent: \*\*Sep. 8, 1998**

[54] **BAG FOR BOTTLES**

[76] **Inventor: Djamel Bellehchilli**, 21 rue du Depart,  
75014 Paris, France

[\*\*] **Term: 14 Years**

[21] **Appl. No.: 64,298**

[22] **Filed: Dec. 27, 1996**

[51] **LOC (6) Cl. .... 03-01**

[52] **U.S. Cl. .... D3/303**

[58] **Field of Search** ..... D3/303, 201, 202,  
D3/315, 316, 283; 206/427, 428, 429, 430,  
139; D6/605; 383/38

[56] **References Cited**

**U.S. PATENT DOCUMENTS**

D. 331,532	12/1992	Cohen et al.	.....	D3/303
D. 361,548	8/1995	Bascom	.....	D3/303
3,045,863	7/1962	De Chelbor	.....	206/139
3,581,933	6/1971	Engdahl, Jr.	.....	206/428
4,299,324	11/1981	Dickens	.....	206/428
4,542,826	9/1985	Adams	.....	383/38
5,161,710	11/1992	Chumley	.....	206/428

*Primary Examiner*—Philip S. Hyder  
*Attorney, Agent, or Firm*—Gray, Cary, Ware & Freidenrich

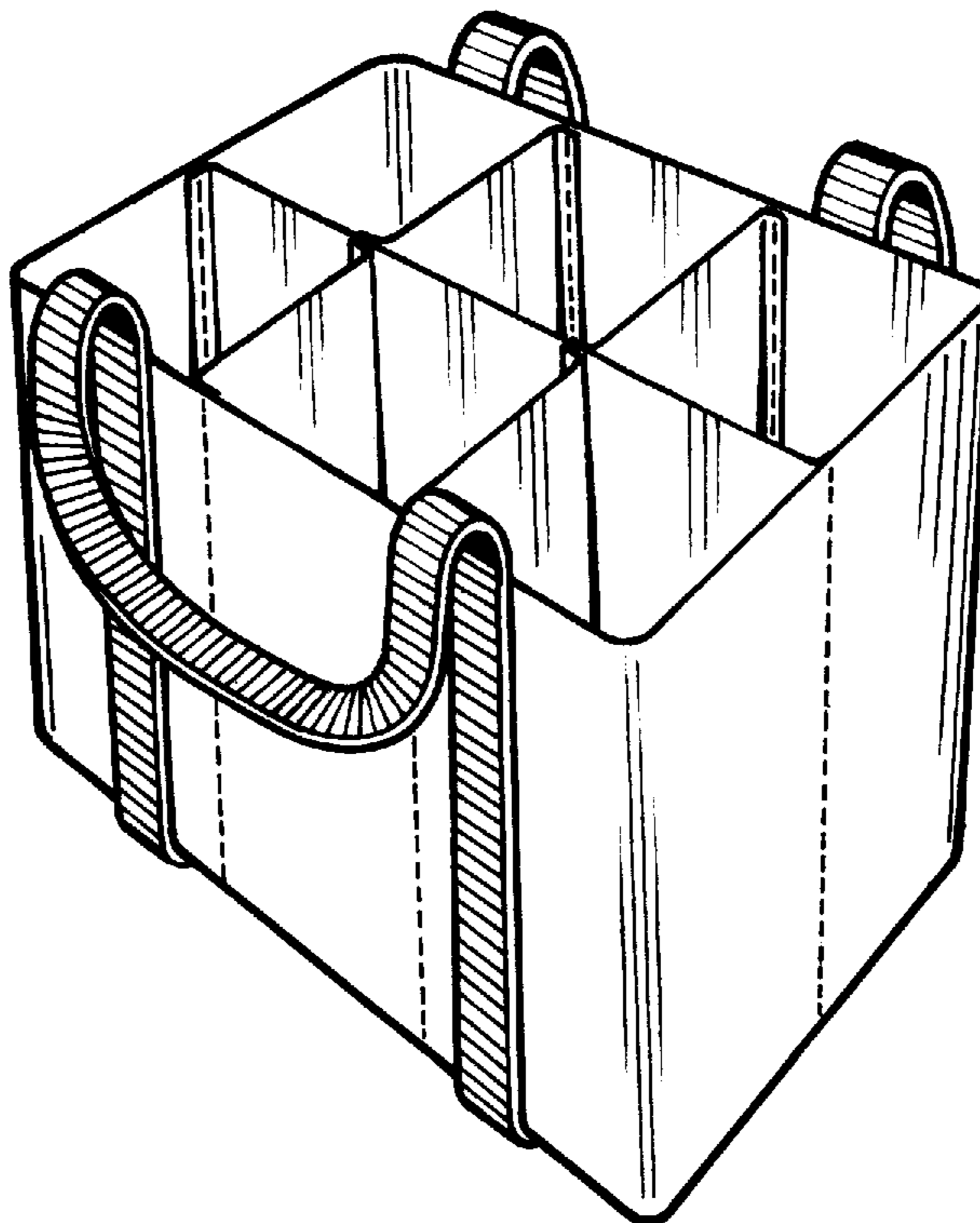
[57] **CLAIM**

I claim the ornamental design for a bag for bottles, as shown and described.

**DESCRIPTION**

FIG. 1 is a perspective view of a first embodiment of the bag for bottles, showing the top of the embodiment;  
 FIG. 2 is a side view of the first embodiment of the bag for bottles, the opposite side has the same appearance as the side shown;  
 FIG. 3 is an end view of the first embodiment of the bag for bottles, the opposite end has the same appearance as the end shown;  
 FIG. 4 is a bottom view of the first embodiment of the bag for bottles;  
 FIG. 5 is a perspective view of a second embodiment of the bag for bottles, showing the top of the embodiment;  
 FIG. 6 is a side view of the back side of the second embodiment of the bag for bottles;  
 FIG. 7 is a side view of the front side of the second embodiment of the bag for bottles;  
 FIG. 8 is an end view of the second embodiment of the bag for bottles, the opposite end has the same appearance as the end shown; and,  
 FIG. 9 is a bottom view of the second embodiment of the bag for bottles.

**1 Claim, 2 Drawing Sheets**



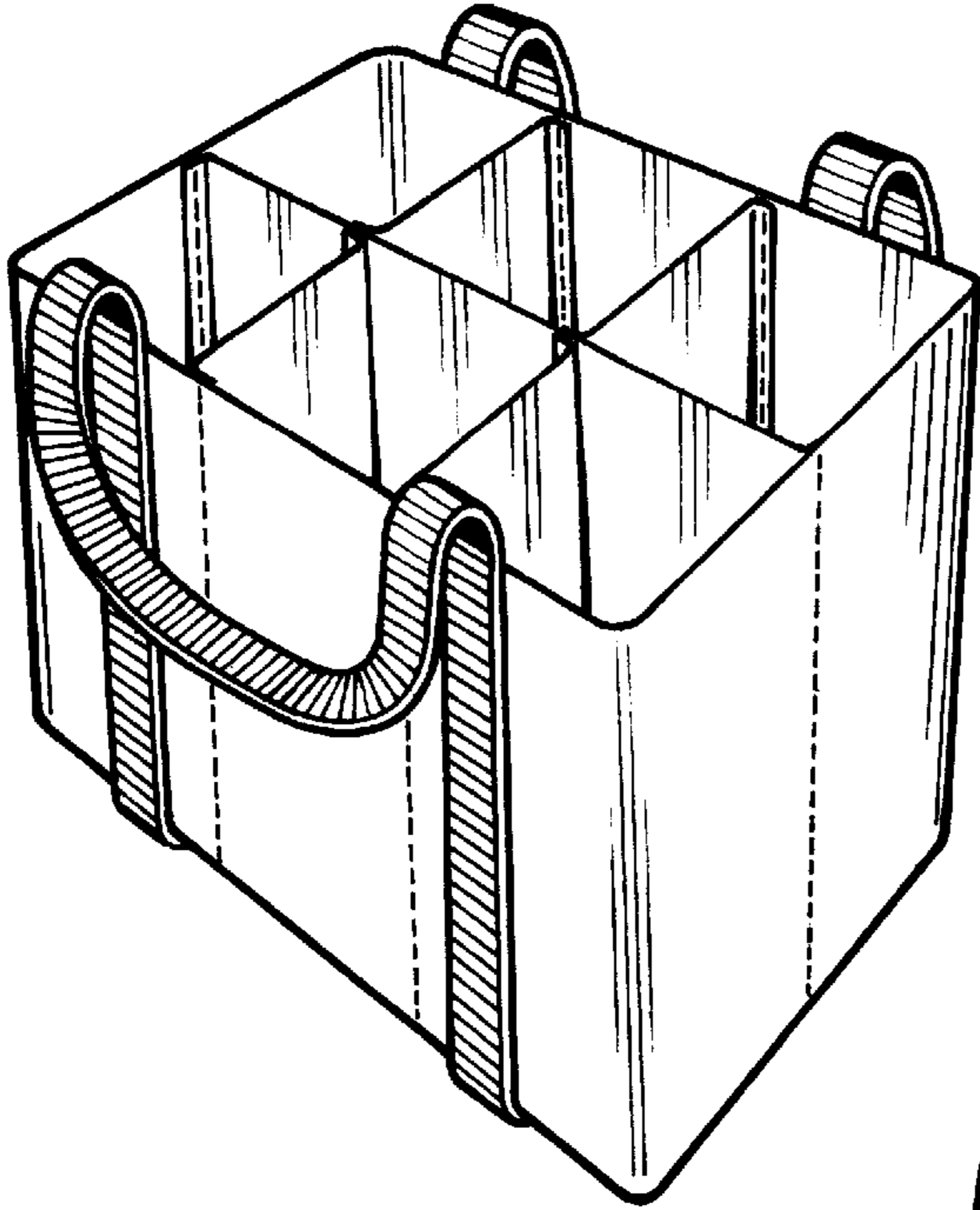


FIGURE 1

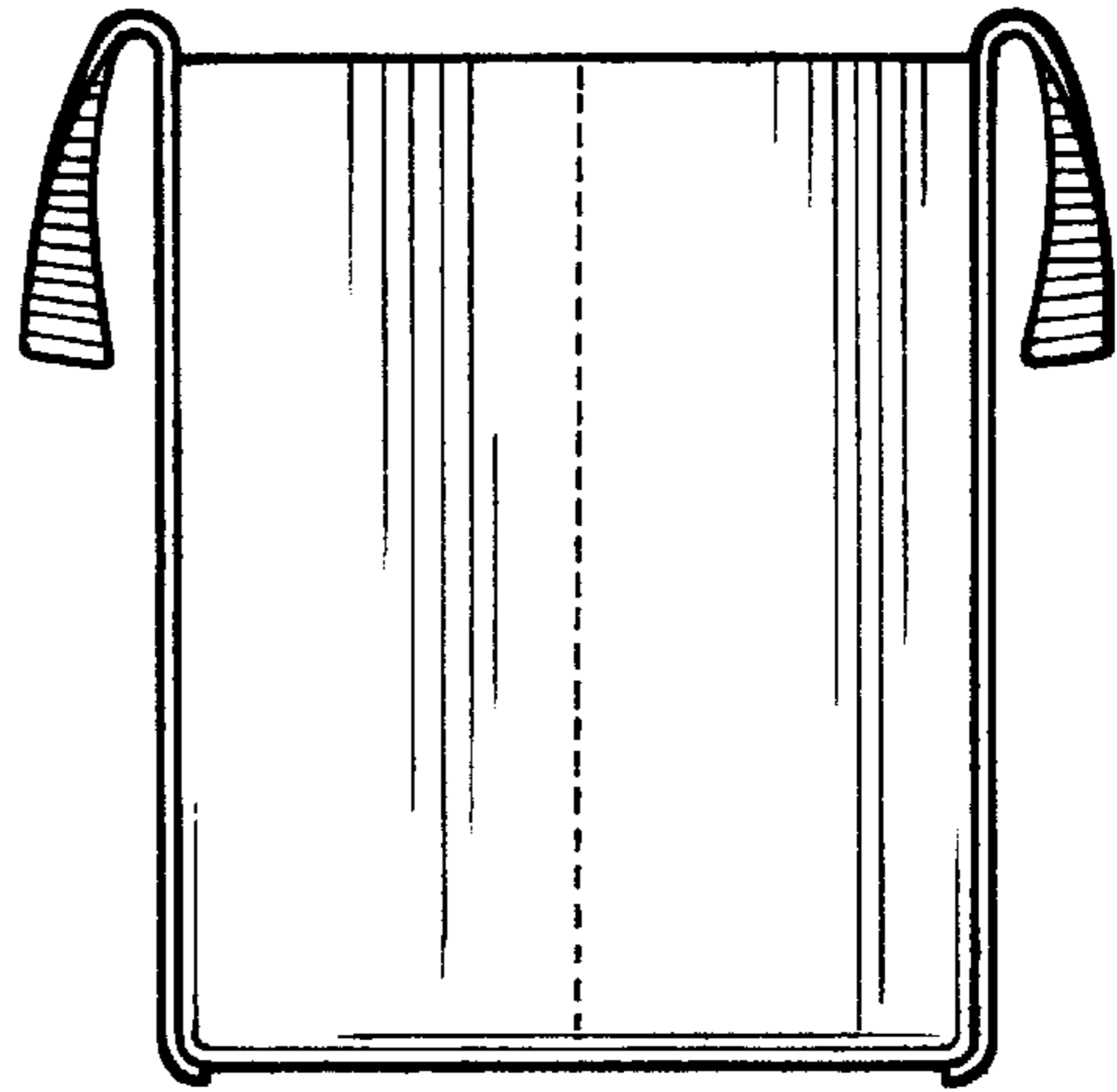


FIGURE 3

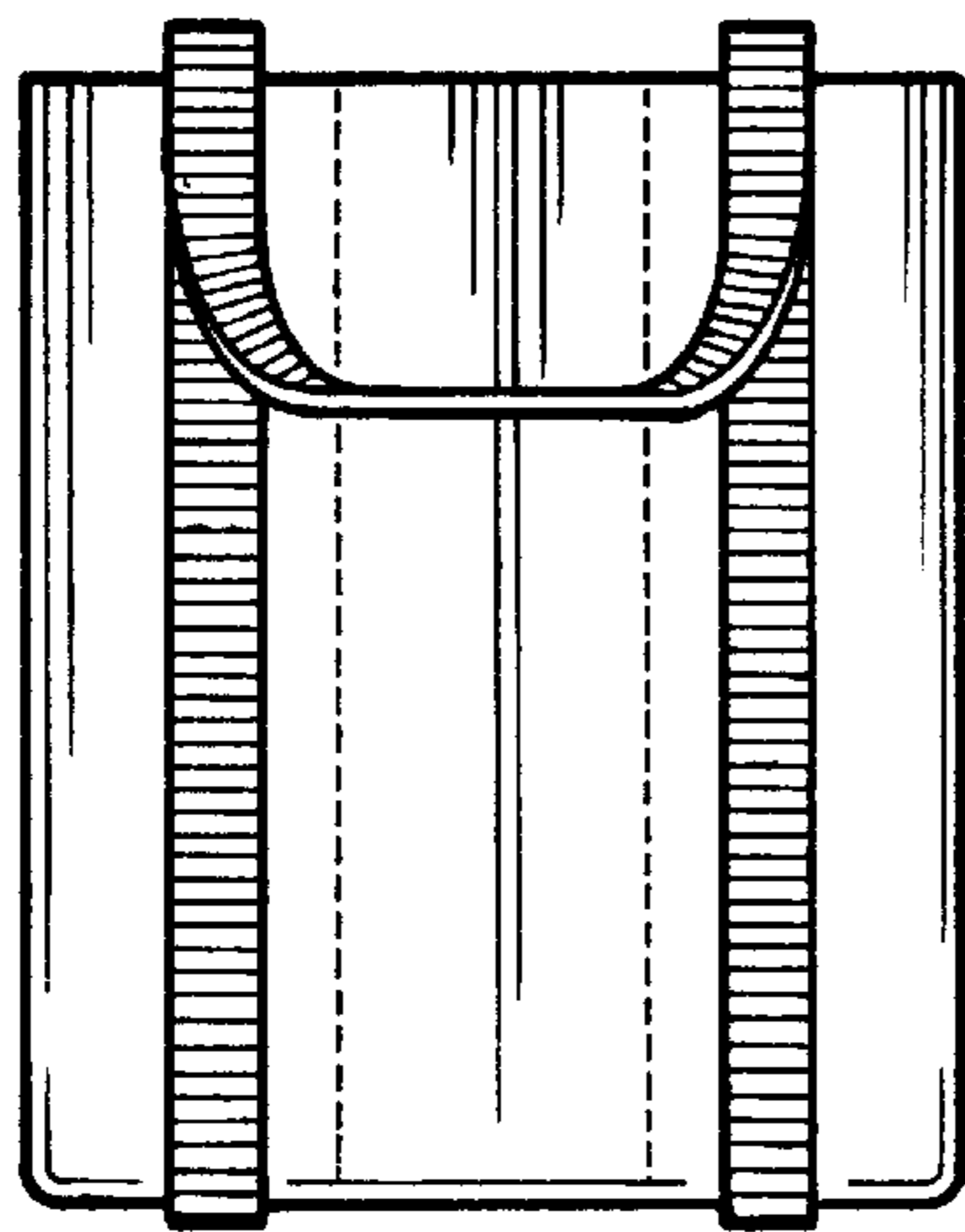


FIGURE 2

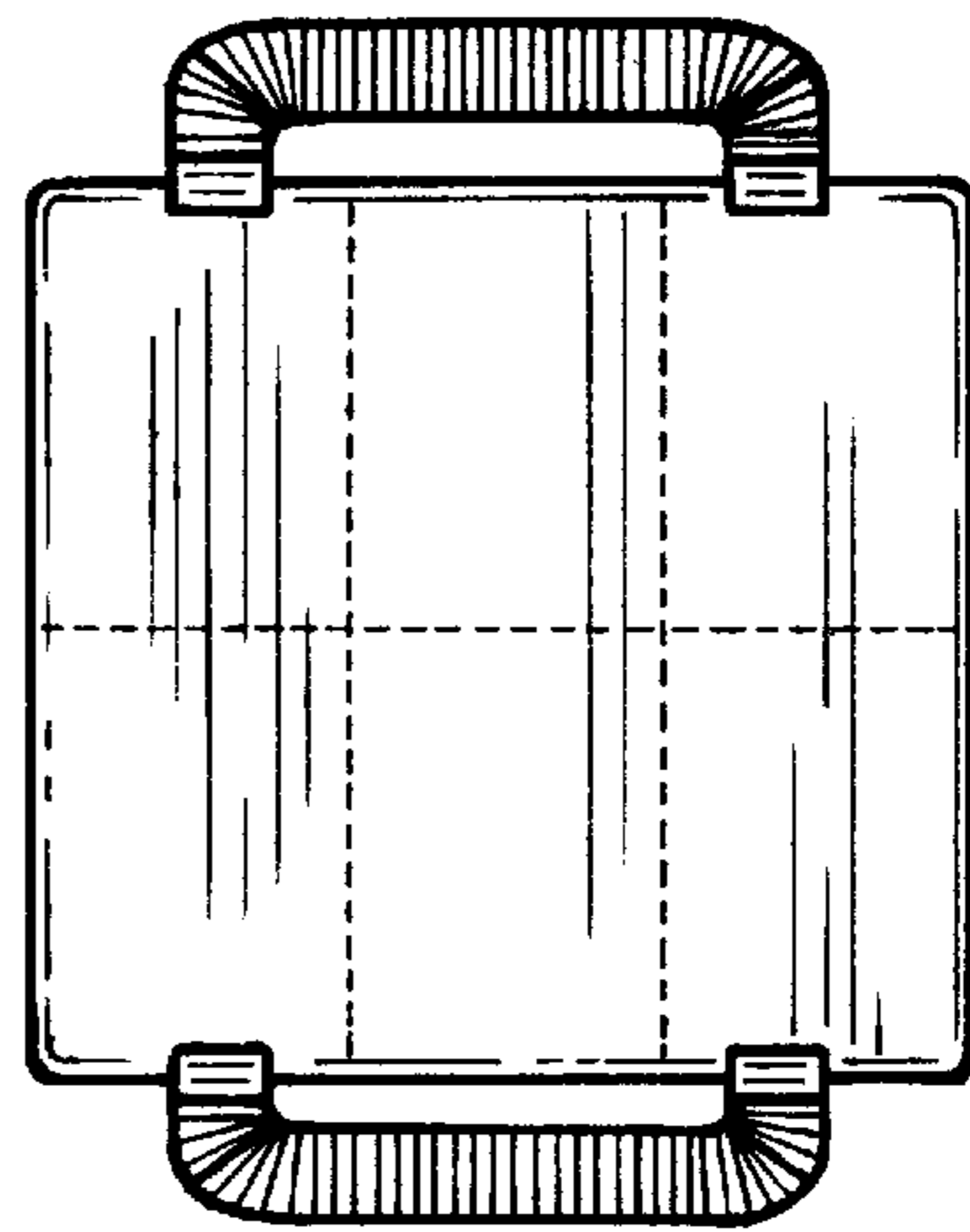


FIGURE 4

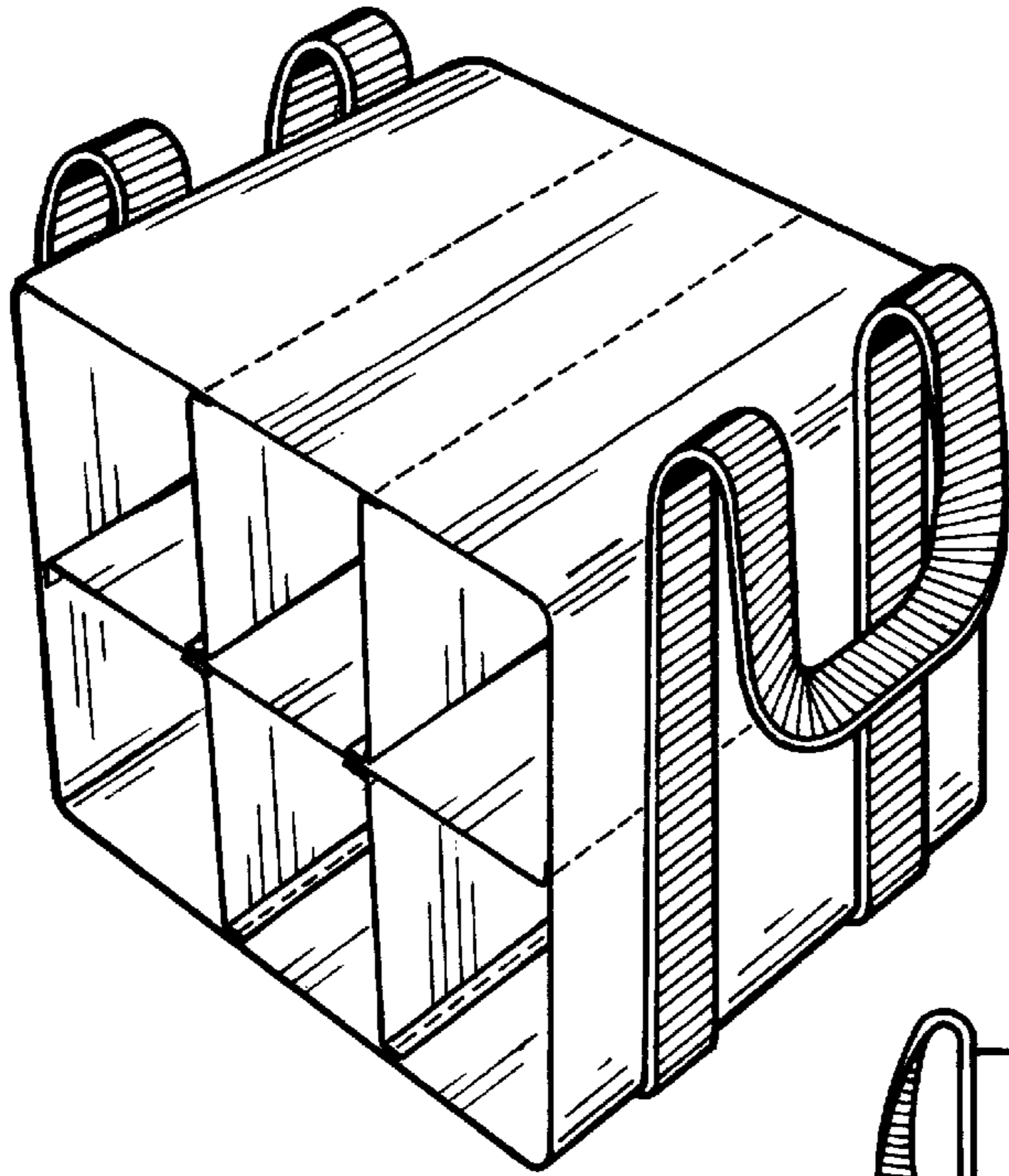


FIGURE 5

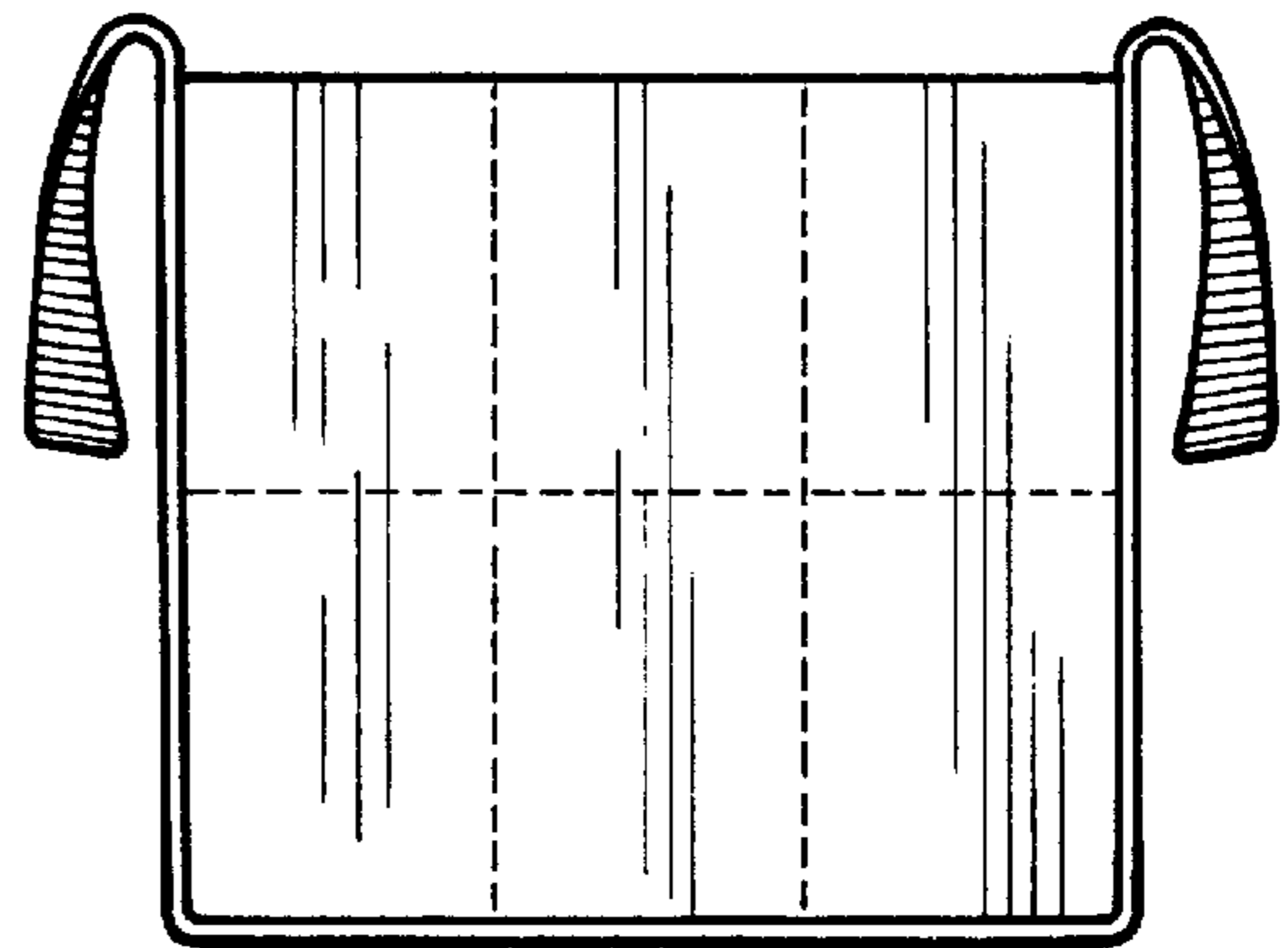


FIGURE 6

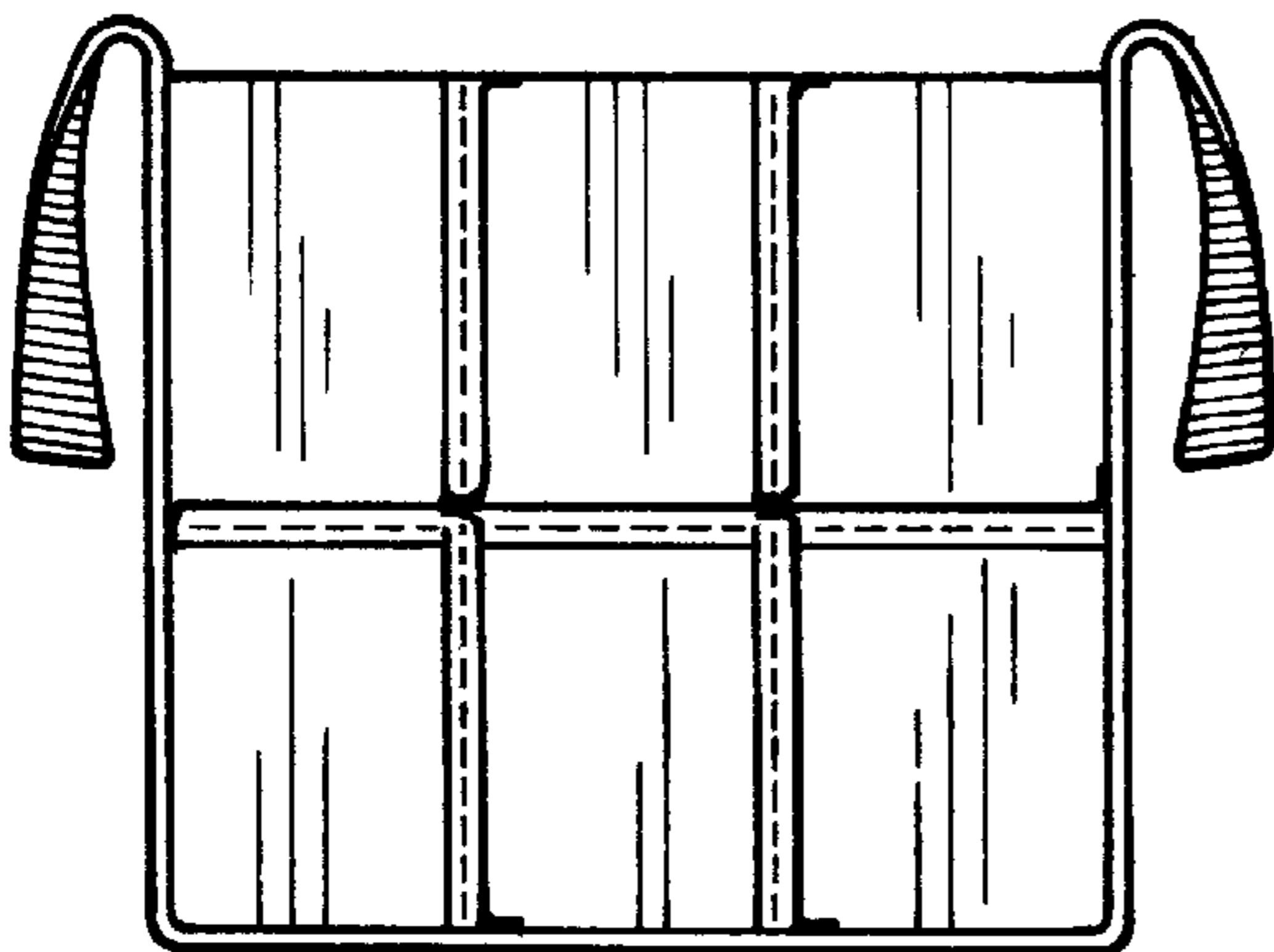


FIGURE 7

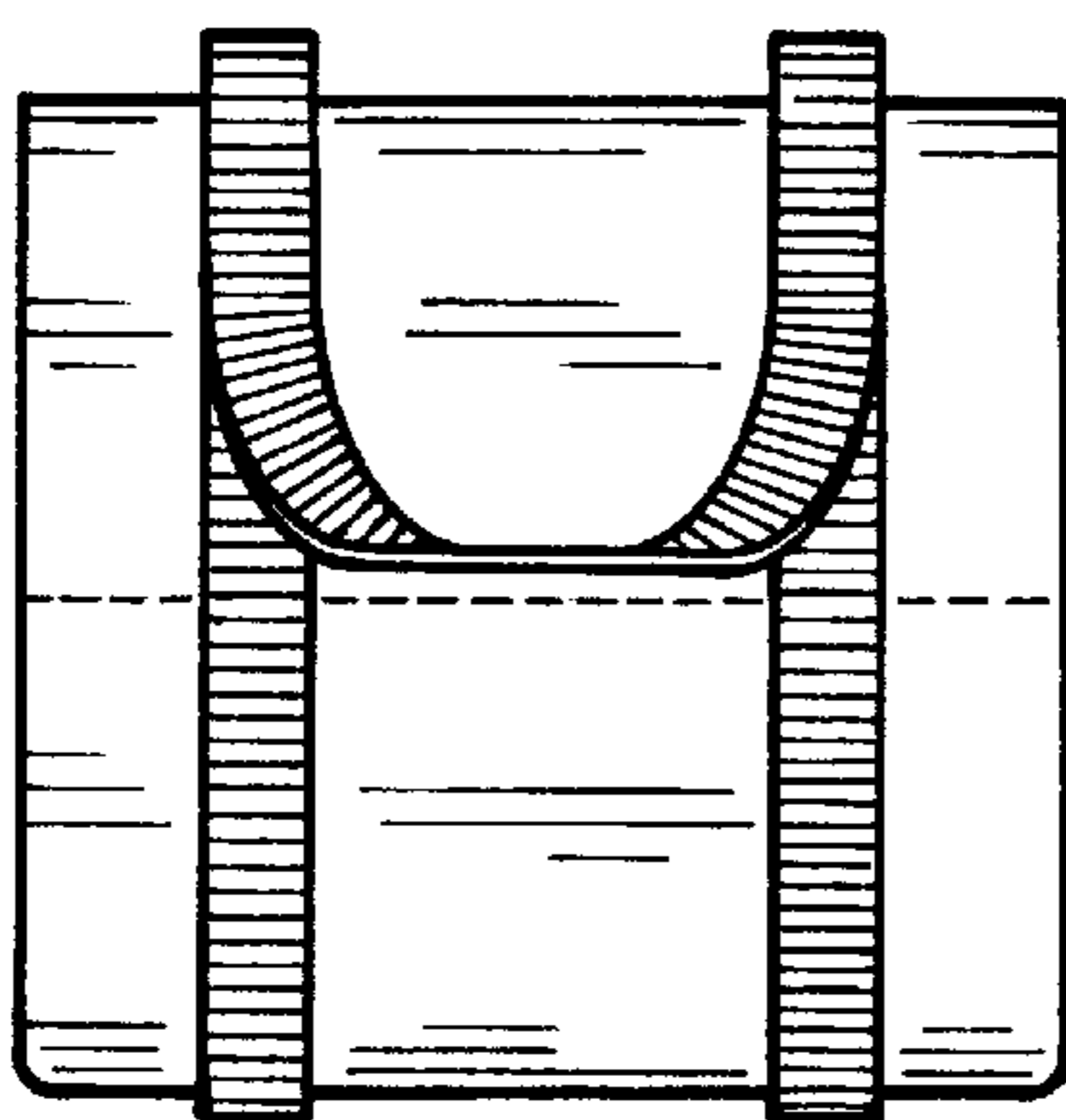


FIGURE 8

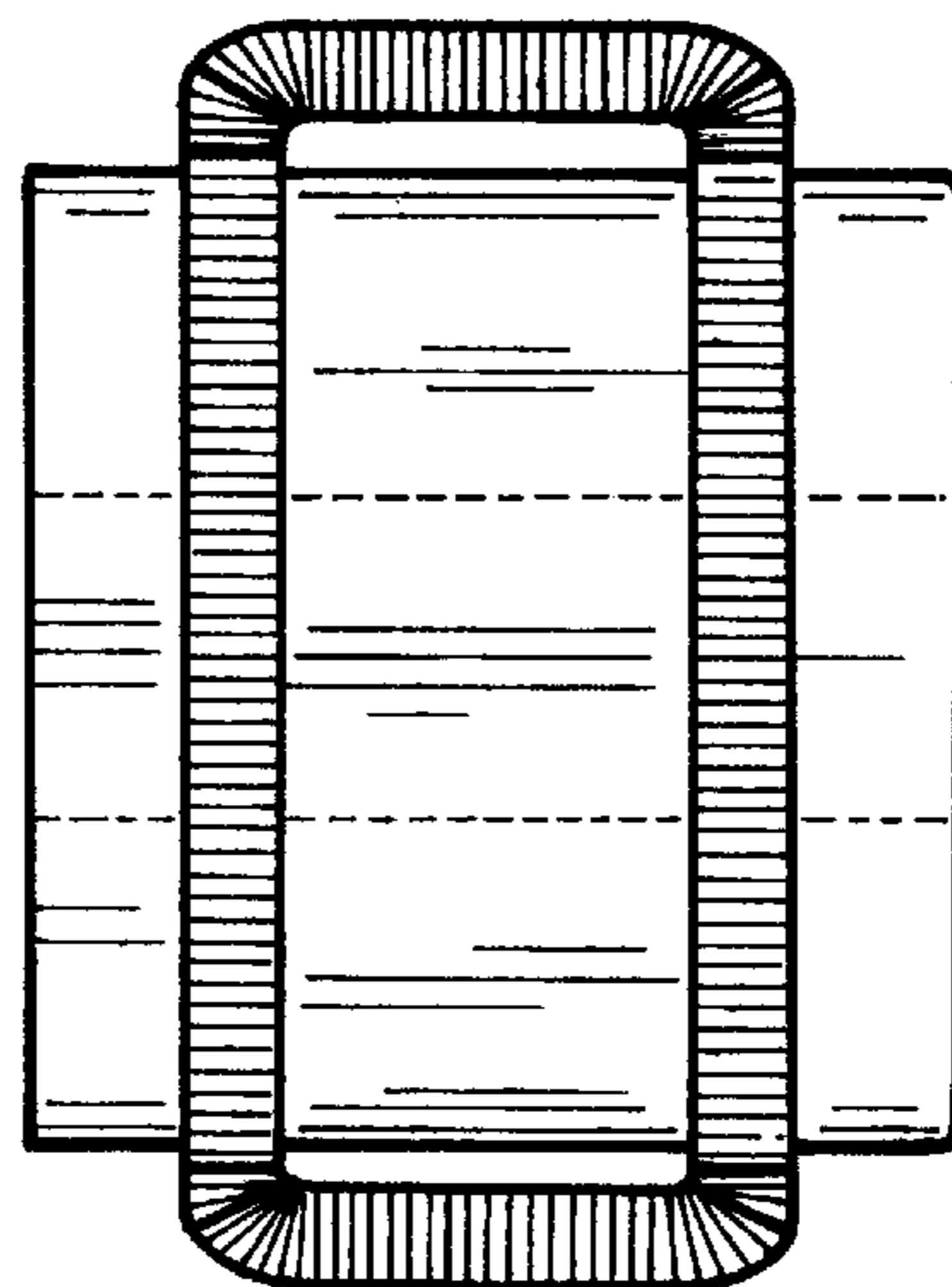


FIGURE 9