



US00D397869S

# United States Patent [19] Minhas

[11] **Patent Number:** **Des. 397,869**

[45] **Date of Patent:** **\*\*Sep. 8, 1998**

[54] **MULTI-FOLD CASING**

[75] Inventor: **Kanwar A. Minhas**, Plainview, N.Y.

[73] Assignee: **Great Neck Saw Manufacturers, Inc.**,  
Mineola, N.Y.

[\*\*] Term: **14 Years**

[21] Appl. No.: **61,818**

[22] Filed: **Oct. 31, 1996**

[51] **LOC (6) Cl.** ..... **03-01**

[52] **U.S. Cl.** ..... **D3/294; D3/274**

[58] **Field of Search** ..... **D3/272, 273, 274,**  
**D3/294, 295, 275; D9/424, 425; 220/520,**  
**6, 500; 206/315.1, 349; 190/100, 109, 111,**  
**113**

[56] **References Cited**

**U.S. PATENT DOCUMENTS**

D. 289,262	4/1987	Goetz et al. ....	D9/424
D. 291,558	8/1987	Fonville .....	D3/294
D. 307,354	4/1990	Knotter et al. ....	D3/294
D. 309,981	8/1990	French et al. ....	D3/295
D. 313,505	1/1991	Leopoldi et al. ....	D3/295
D. 314,273	2/1991	Minneman .....	D3/295
D. 333,727	3/1993	Schurman .....	D3/294
D. 340,090	10/1993	Augenstein .....	D3/275

*Primary Examiner*—Philip S. Hyder

*Attorney, Agent, or Firm*—Joseph J. Previto

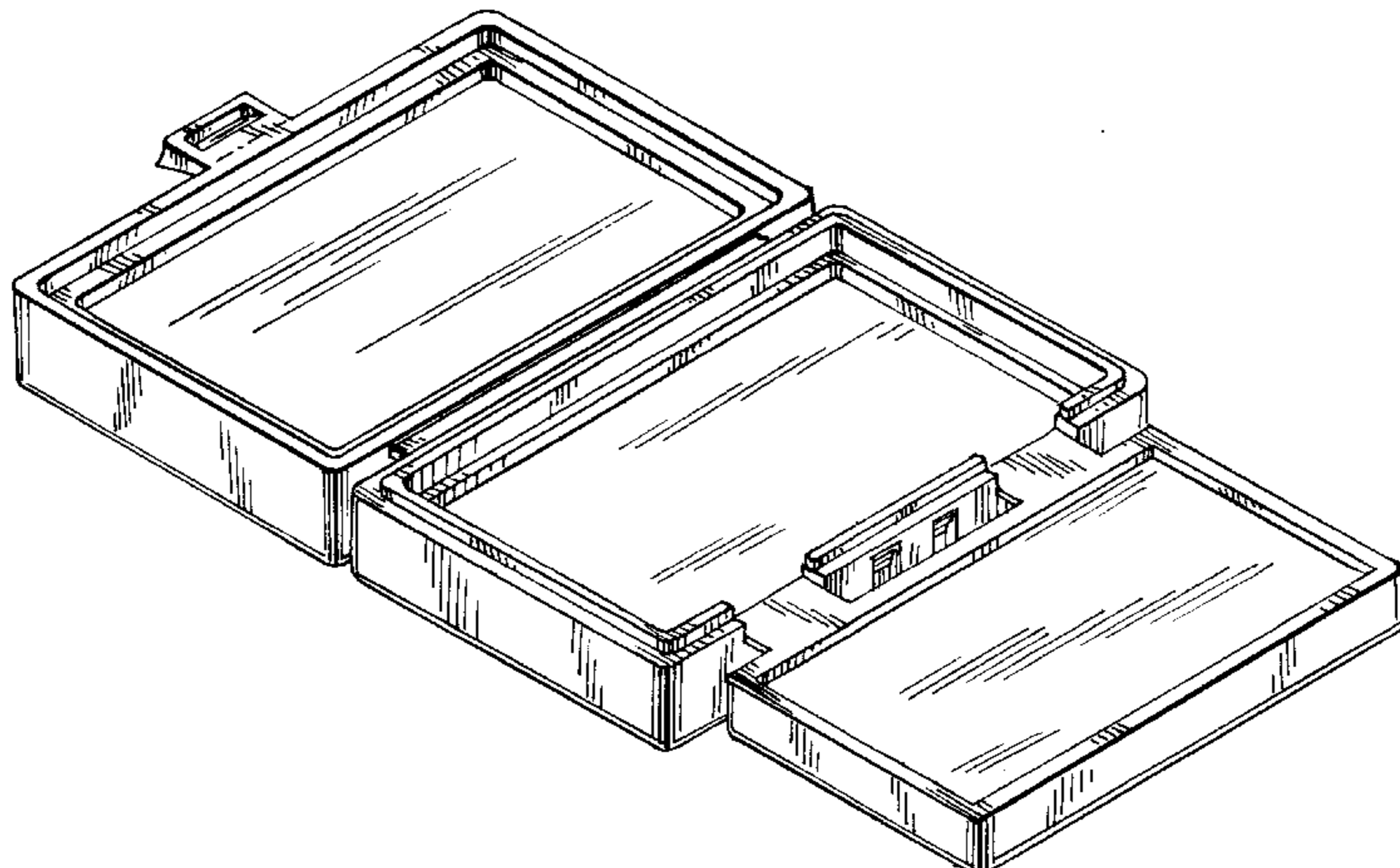
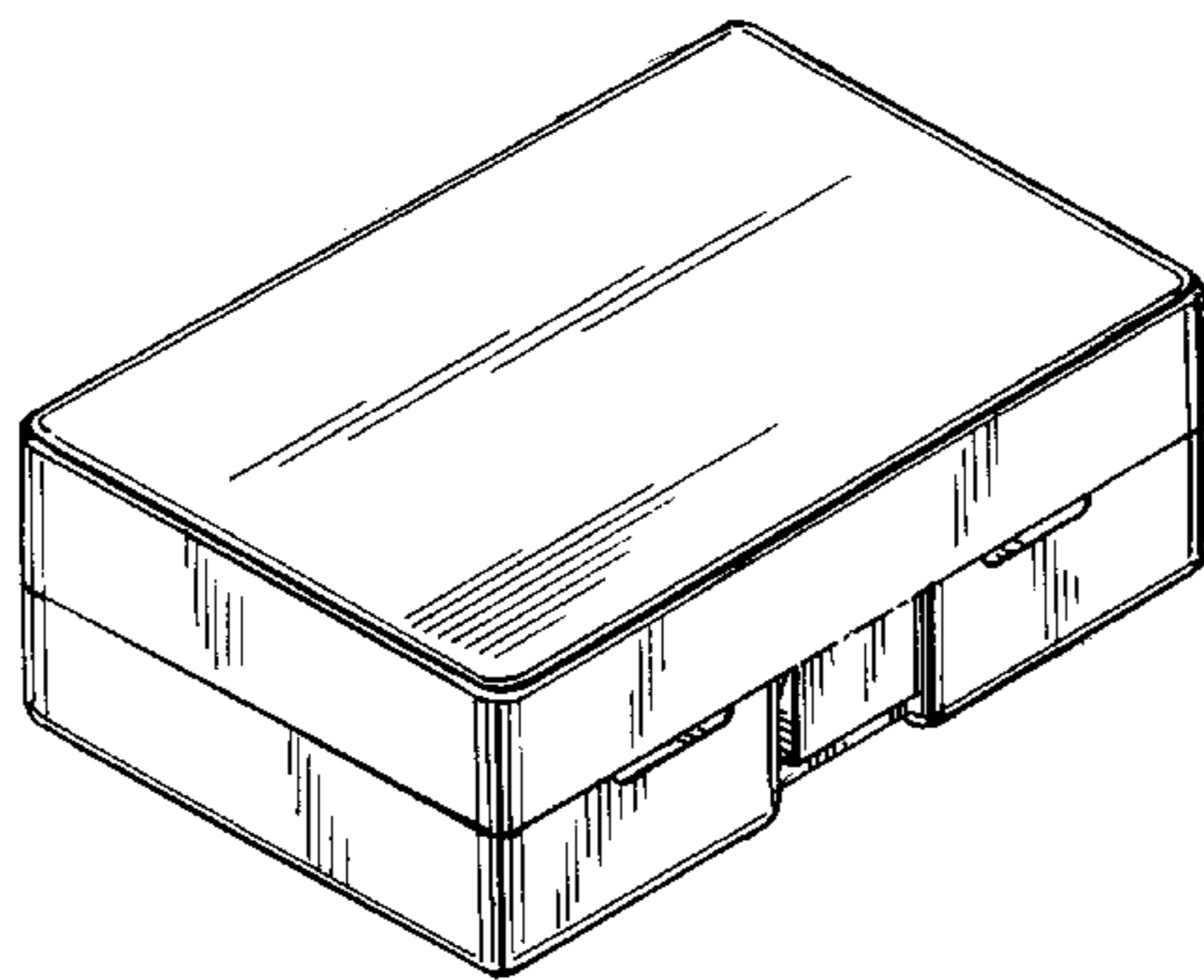
[57] **CLAIM**

The ornamental design of a multi-fold casing, as shown and described.

**DESCRIPTION**

FIG. 1 is a perspective view of a multi-fold casing showing my new design;  
 FIG. 2 is a top view thereof;  
 FIG. 3 is a front side view thereof;  
 FIG. 4 is an end view thereof;  
 FIG. 5 is another end view thereof;  
 FIG. 6 is a rear side view thereof;  
 FIG. 7 is a bottom view thereof;  
 FIG. 8 is a perspective view showing the multi-fold casing in its partially opened condition;  
 FIG. 9 is a perspective view of showing the multi-fold casing in its fully opened position;  
 FIG. 10 is a top view of the multi-fold casing as shown in FIG. 9;  
 FIG. 11 is an end view of the multi-fold casing as shown in FIG. 9;  
 FIG. 12 is a front view of the multi-fold casing as shown in FIG. 9;  
 FIG. 13 rear view of the multi-fold casing as shown in FIG. 9; and,  
 FIG. 14 is a bottom view of the multi-fold casing as shown in FIG. 9.

**1 Claim, 4 Drawing Sheets**



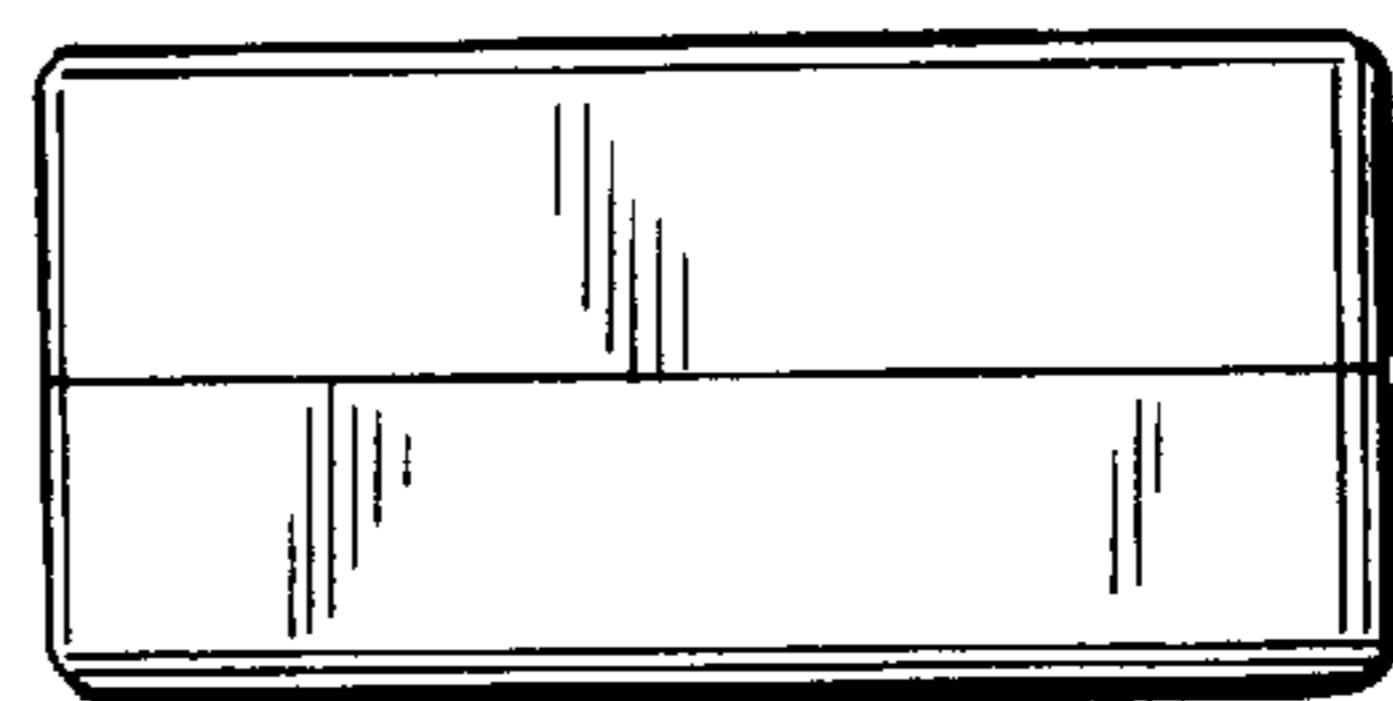
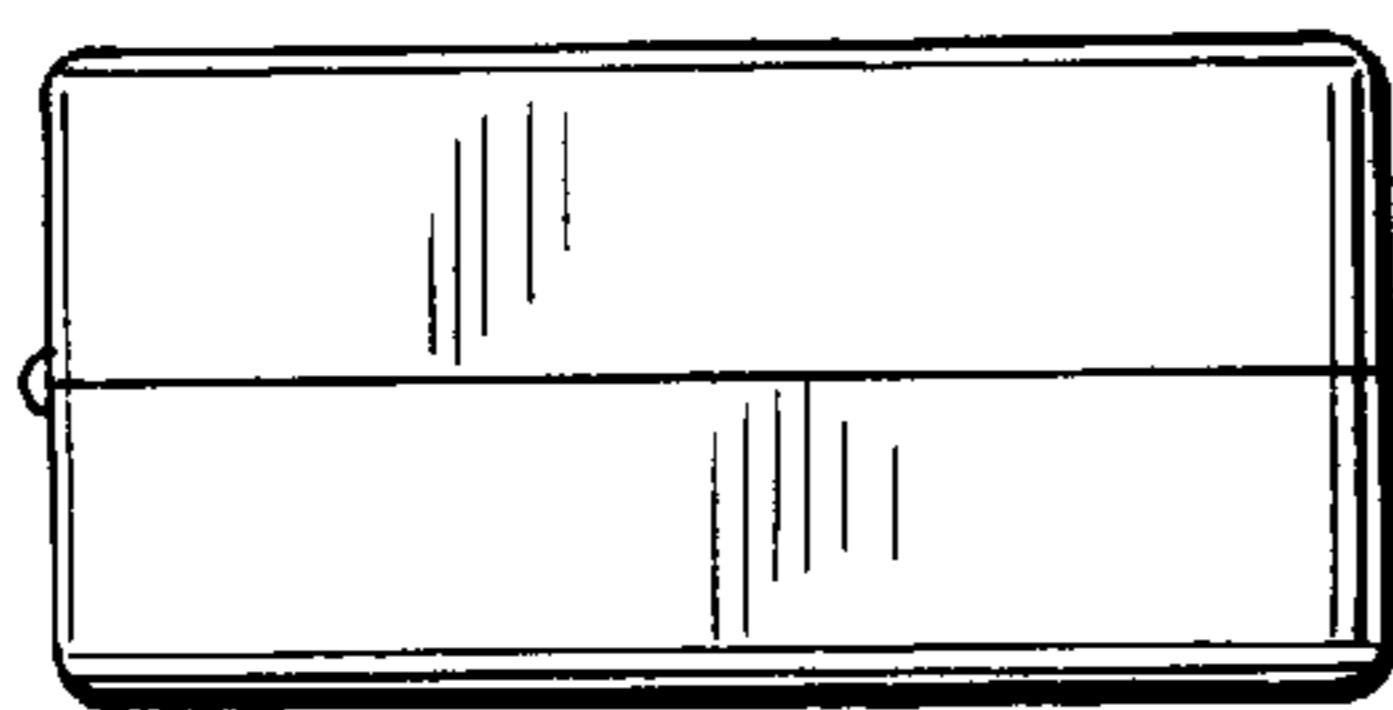
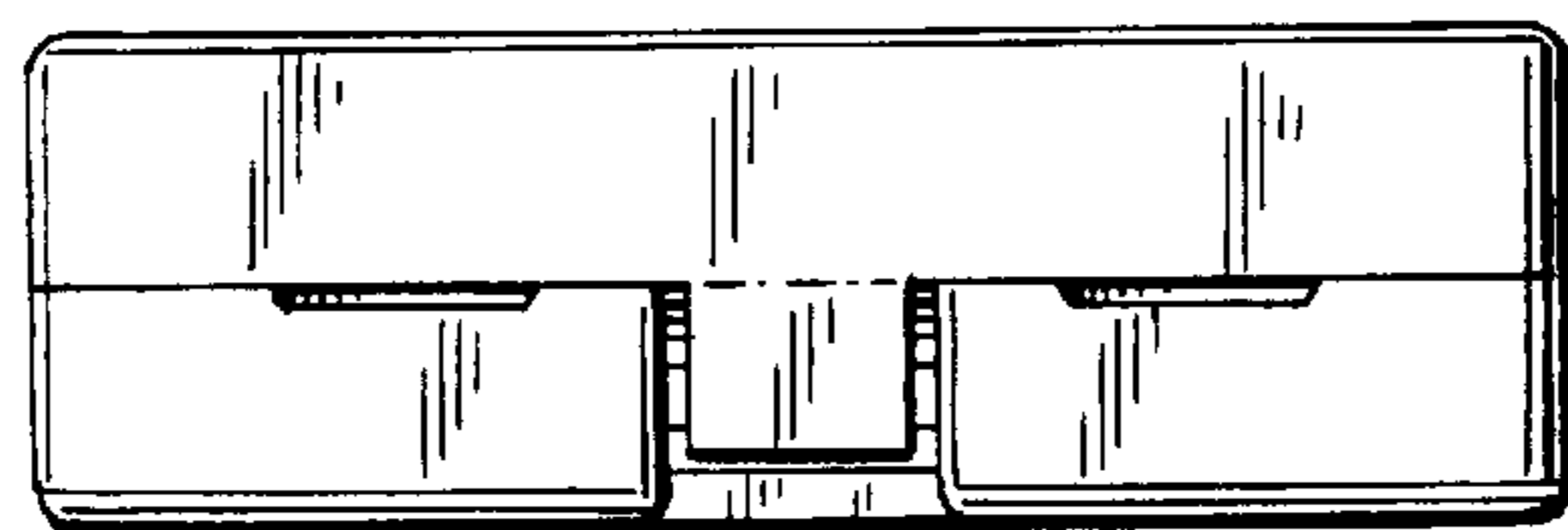
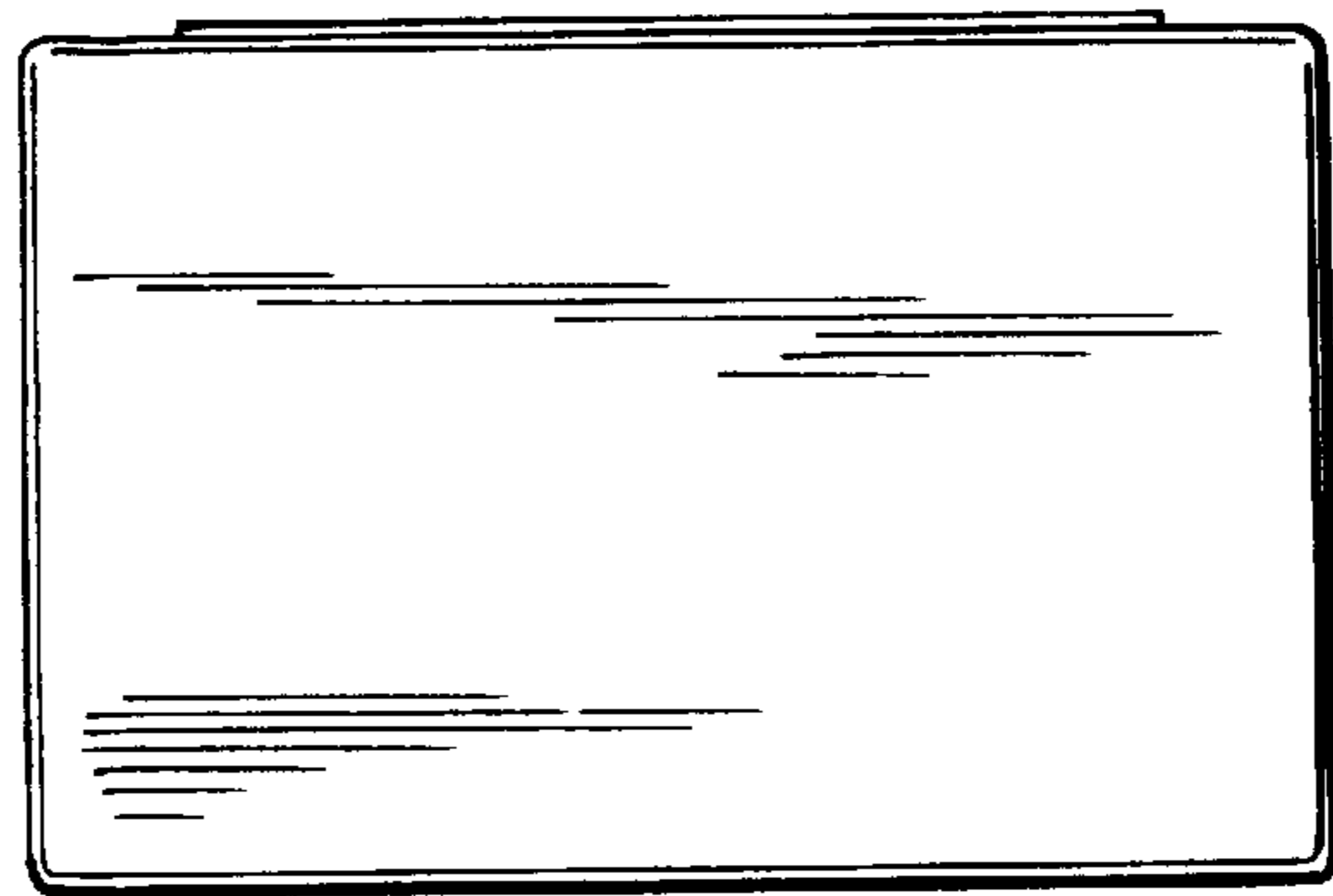
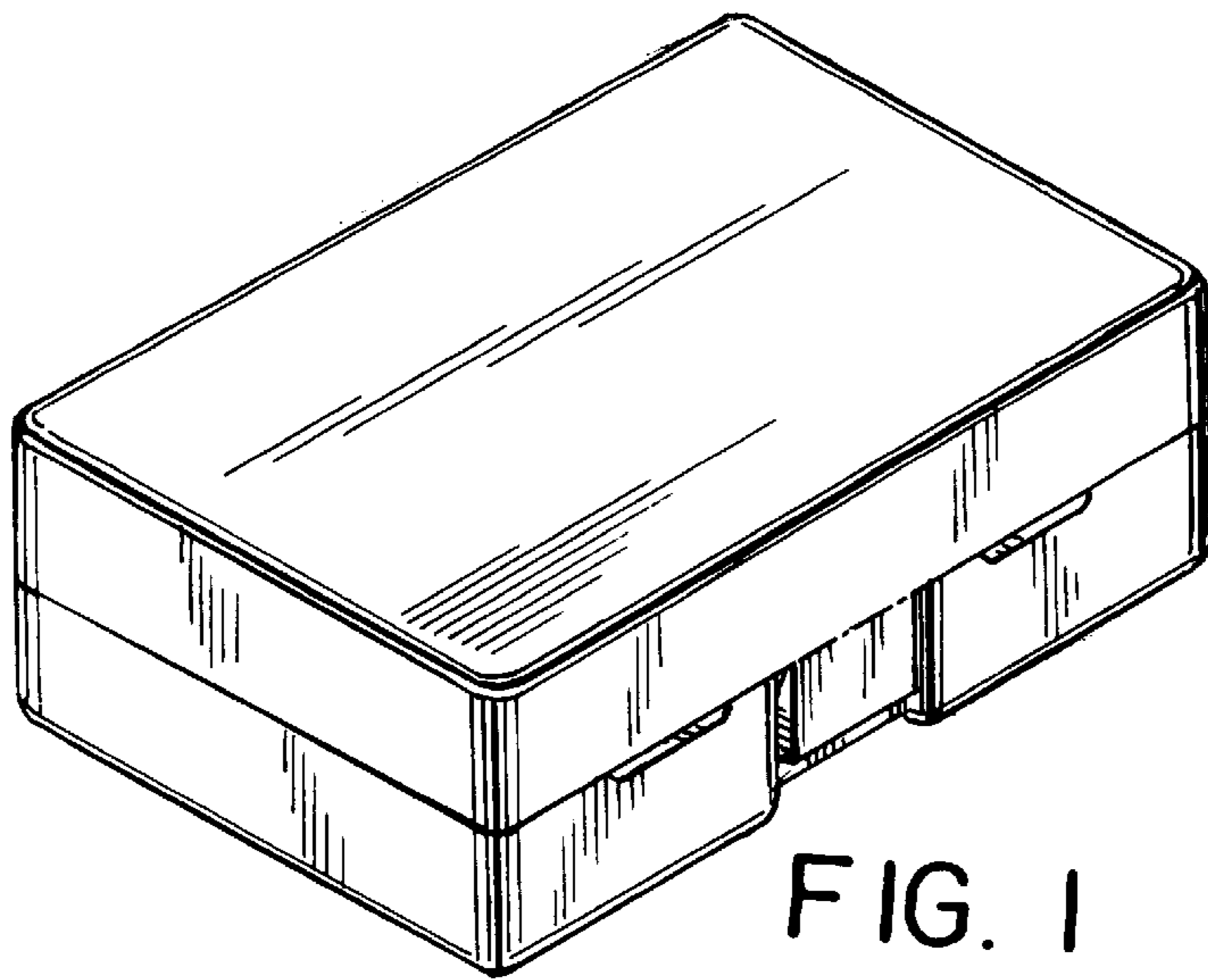


FIG. 4

FIG. 5

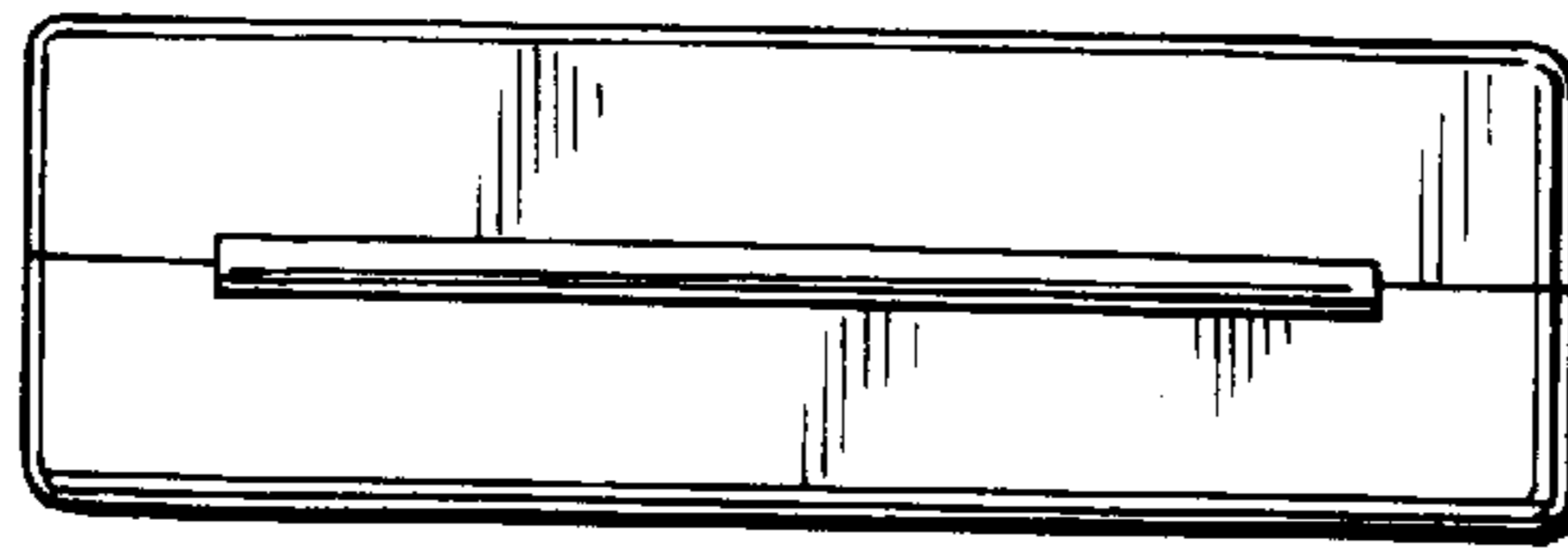


FIG. 6

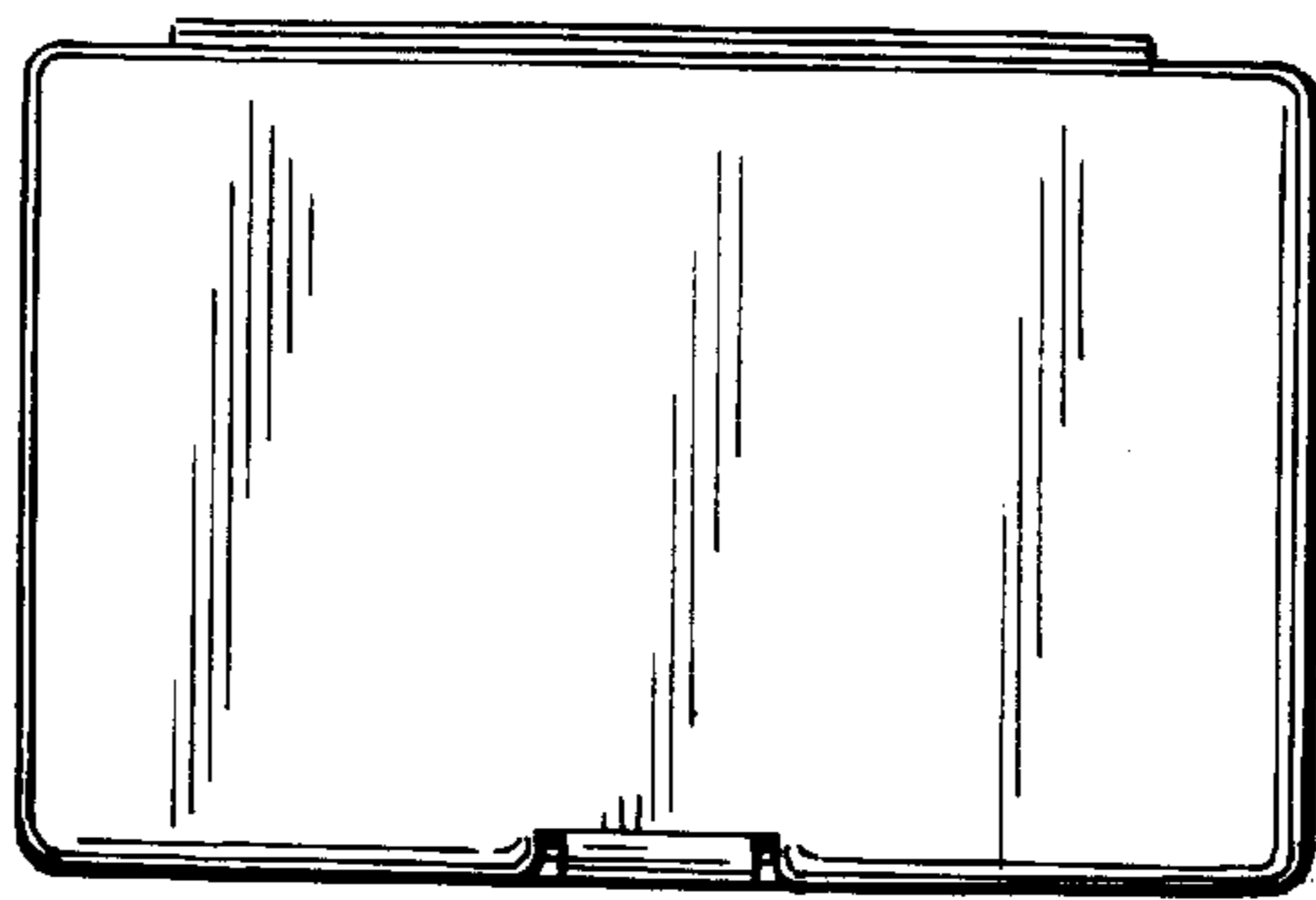


FIG. 7

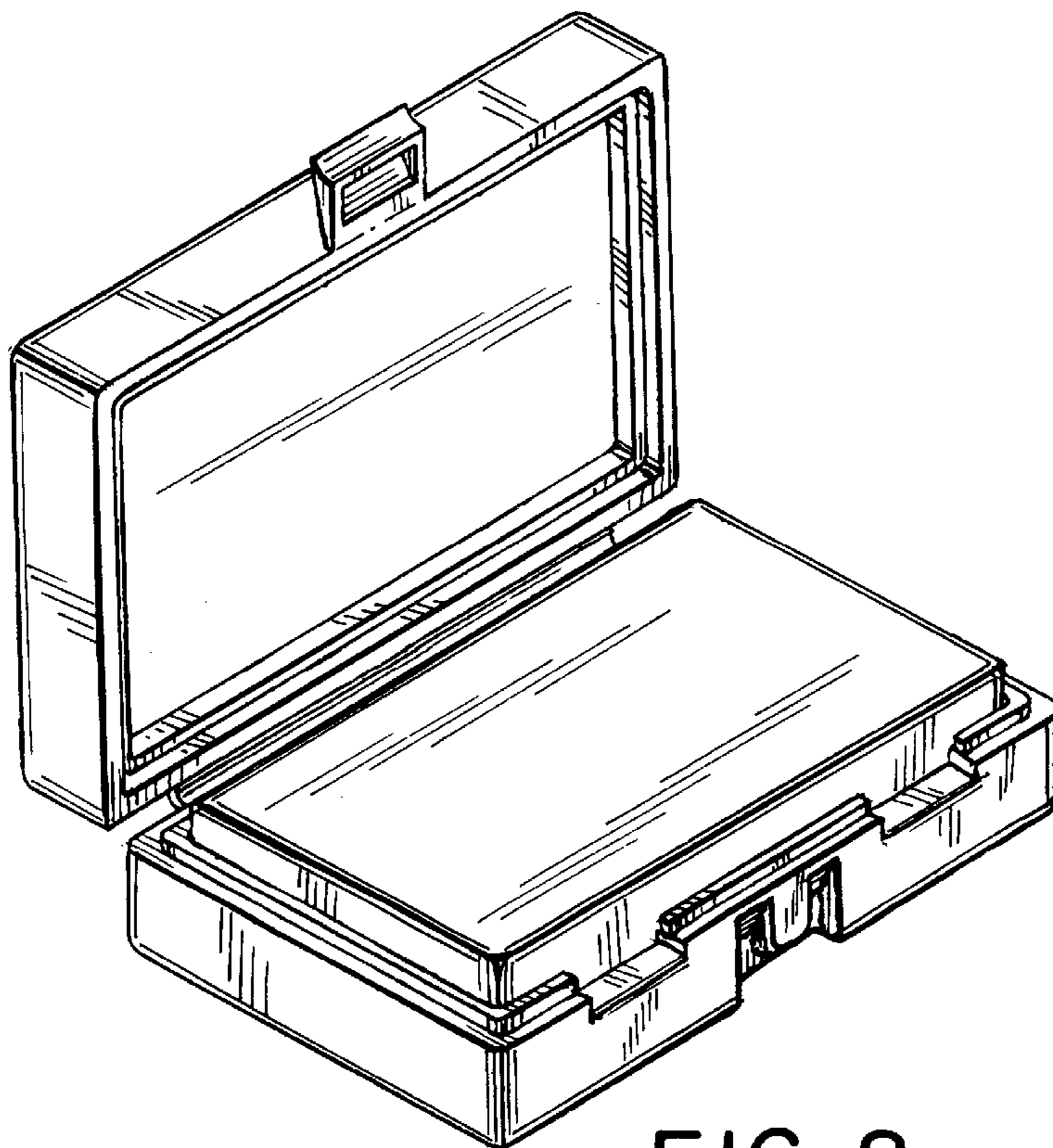


FIG. 8

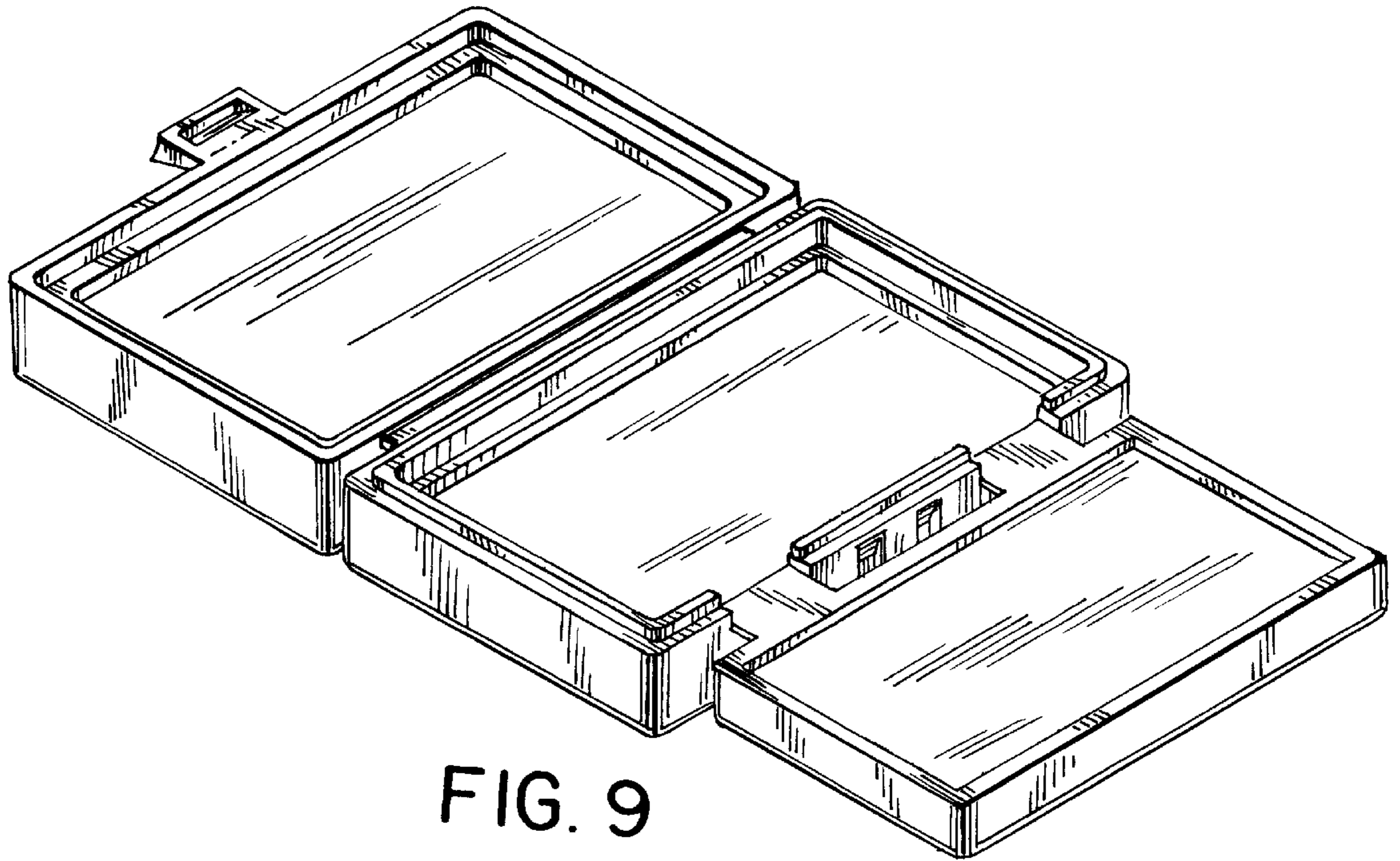


FIG. 9

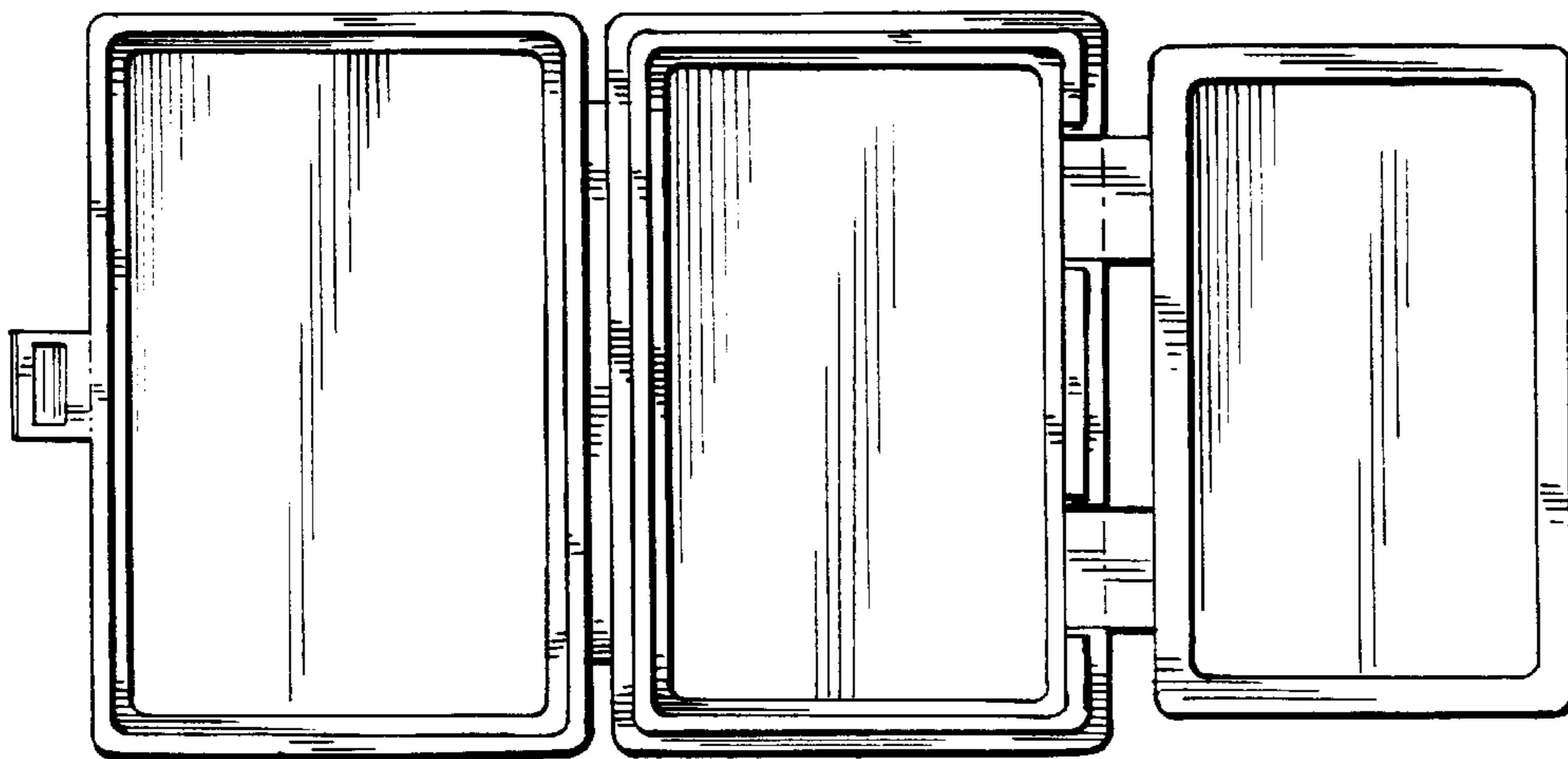


FIG. 10

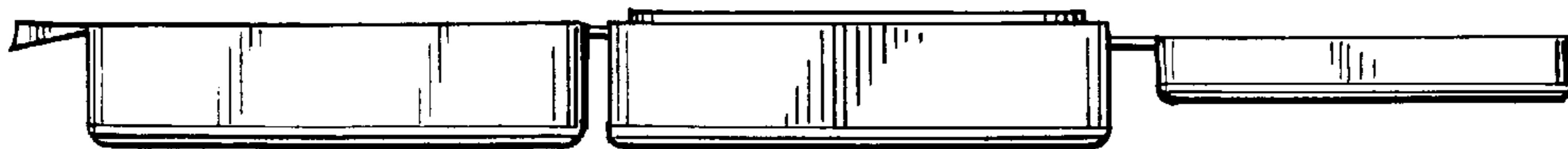


FIG. 11

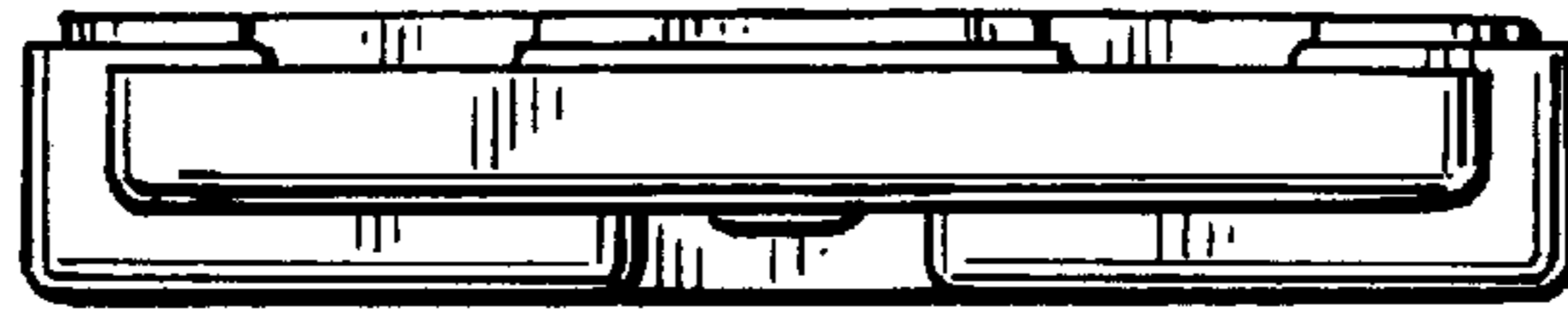


FIG. 12

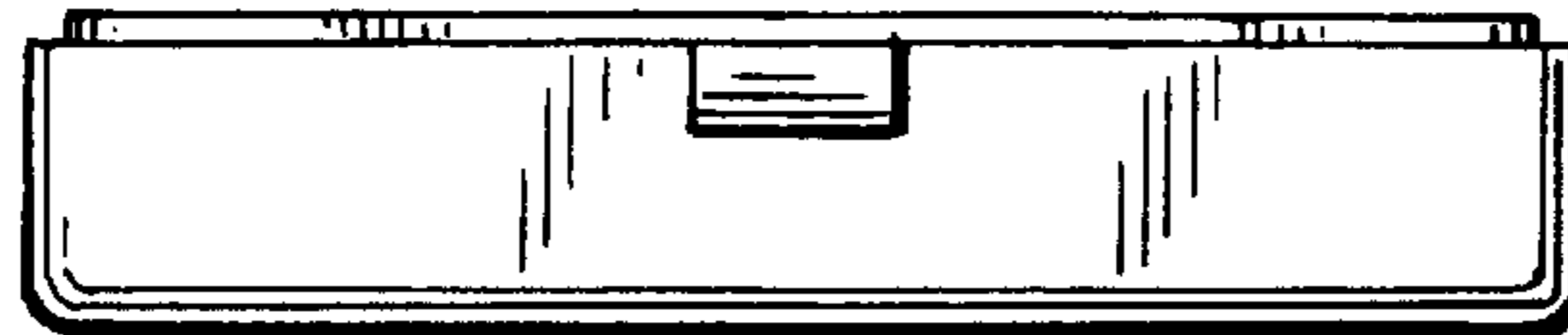


FIG. 13

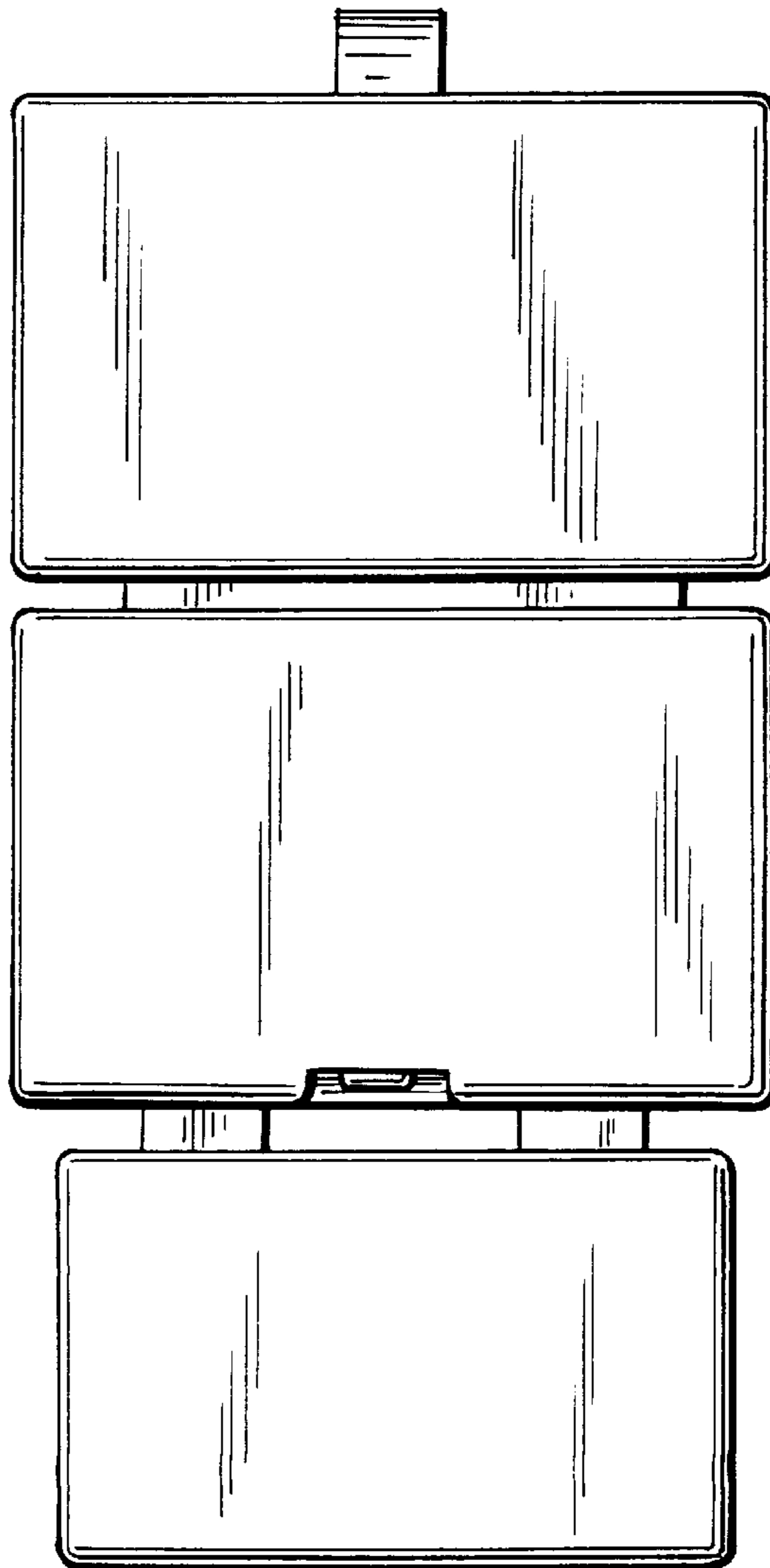


FIG. 14