



US00D397868S

United States Patent [19]
Huang

[11] **Patent Number: Des. 397,868**

[45] **Date of Patent: **Sep. 8, 1998**

[54] **TOOLBOX**

[76] Inventor: **Li-Hua Huang**, No. 67 Yu-Chiun Road,
Wu-Fong Hsiang, Taichung Hsien,
Taiwan

[**] Term: **14 Years**

[21] Appl. No.: **69,170**

[22] Filed: **Apr. 11, 1997**

[51] **LOC (6) Cl.** **03-01**

[52] **U.S. Cl.** **D3/271; D21/128**

[58] **Field of Search** D3/269, 270, 271,
D3/905, 294; D9/308; D21/128; 206/457,
349, 372, 373

[56] **References Cited**

U.S. PATENT DOCUMENTS

- D. 324,306 3/1992 Lin D21/128
- D. 330,203 10/1992 Yeh D21/136

- D. 349,632 8/1994 Nicholson et al. D9/308
- D. 369,023 4/1996 Cheng D9/308

Primary Examiner—Philip S. Hyder
Attorney, Agent, or Firm—Morton J. Rosenberg; David I. Klein; Jun Y. Lee

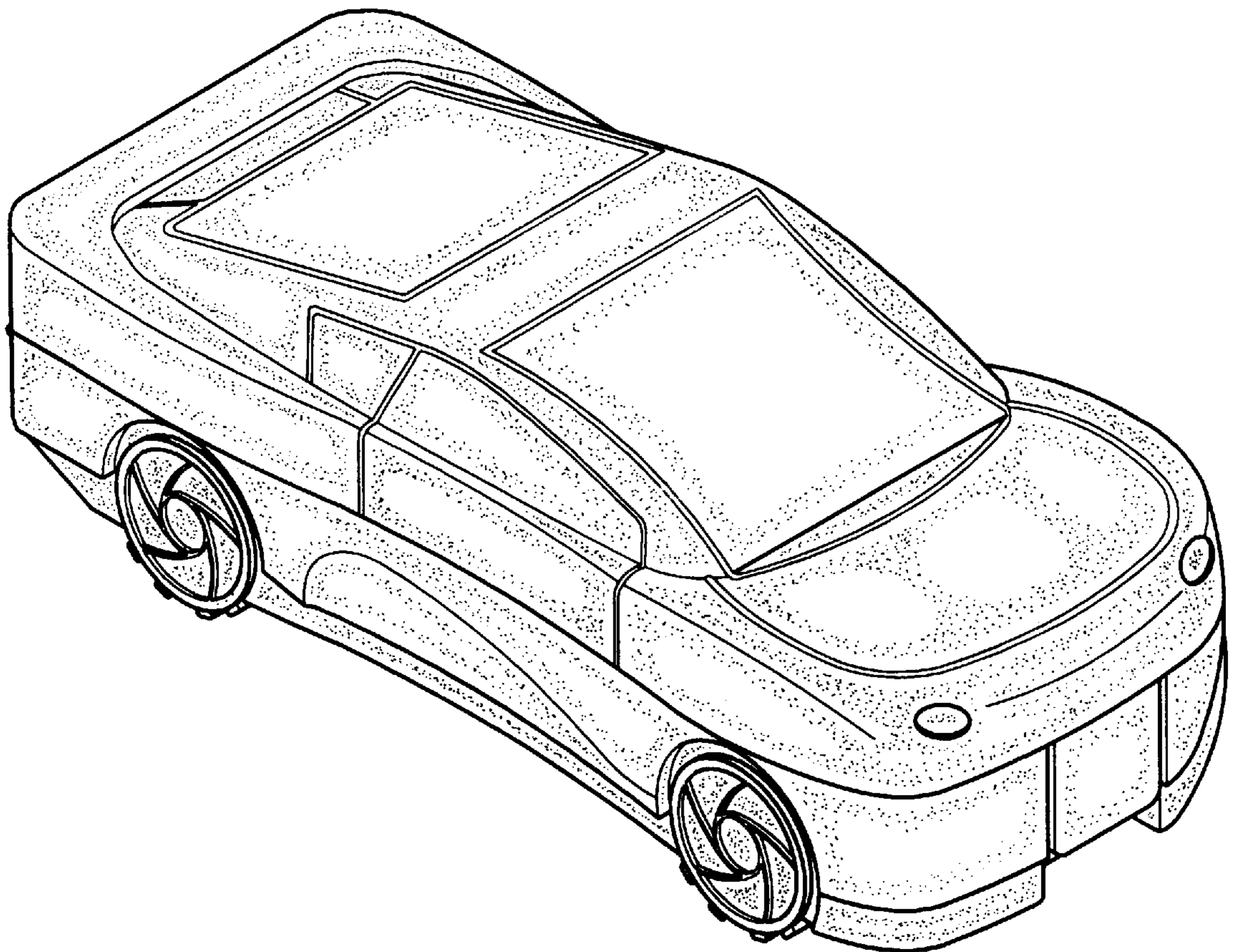
[57] **CLAIM**

The ornamental design for a toolbox, as shown and described.

DESCRIPTION

FIG. 1 is a front elevational view of a toolbox showing my new design;
FIG. 2 is a left side elevational view thereof;
FIG. 3 is a right side elevational view thereof;
FIG. 4 is a top plan view thereof;
FIG. 5 is a bottom plan view thereof;
FIG. 6 is a rear elevational view thereof; and,
FIG. 7 is a perspective view thereof.

1 Claim, 7 Drawing Sheets



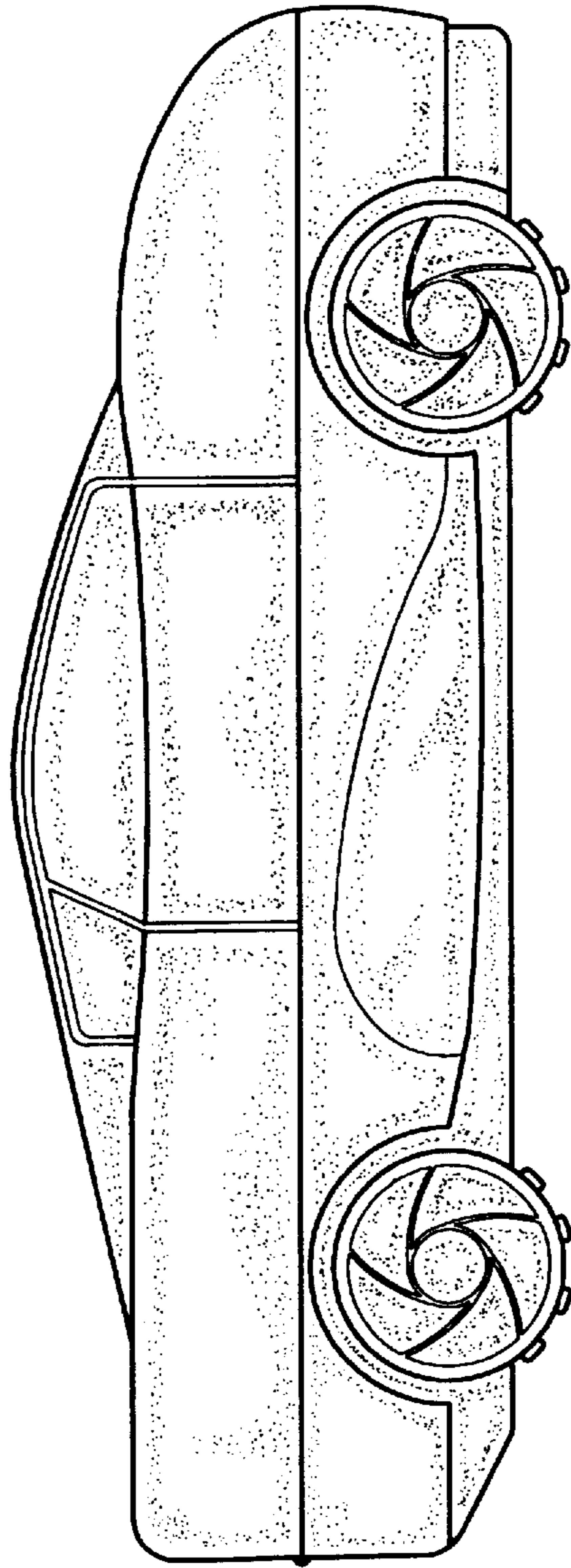


FIG. 1

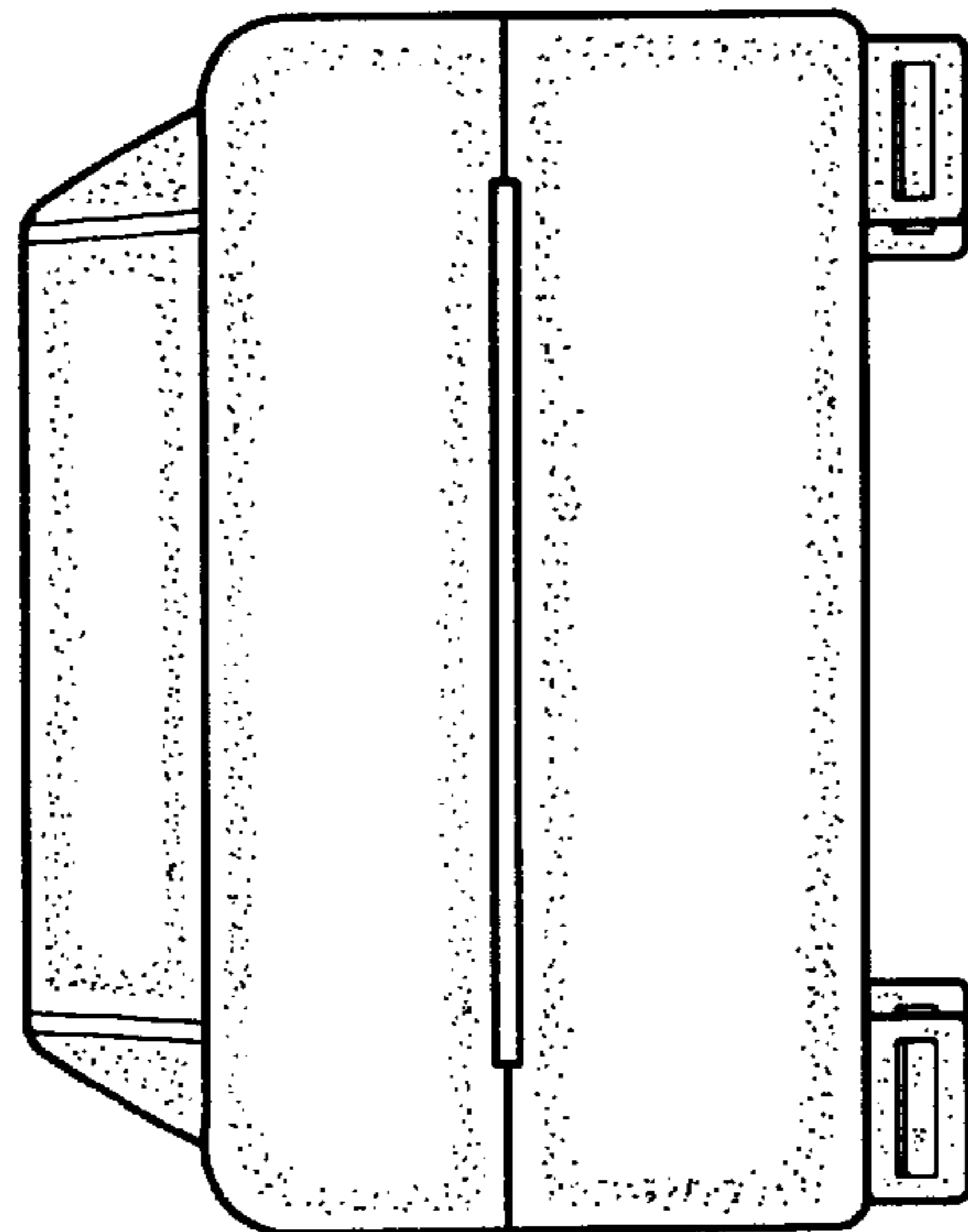


FIG. 2

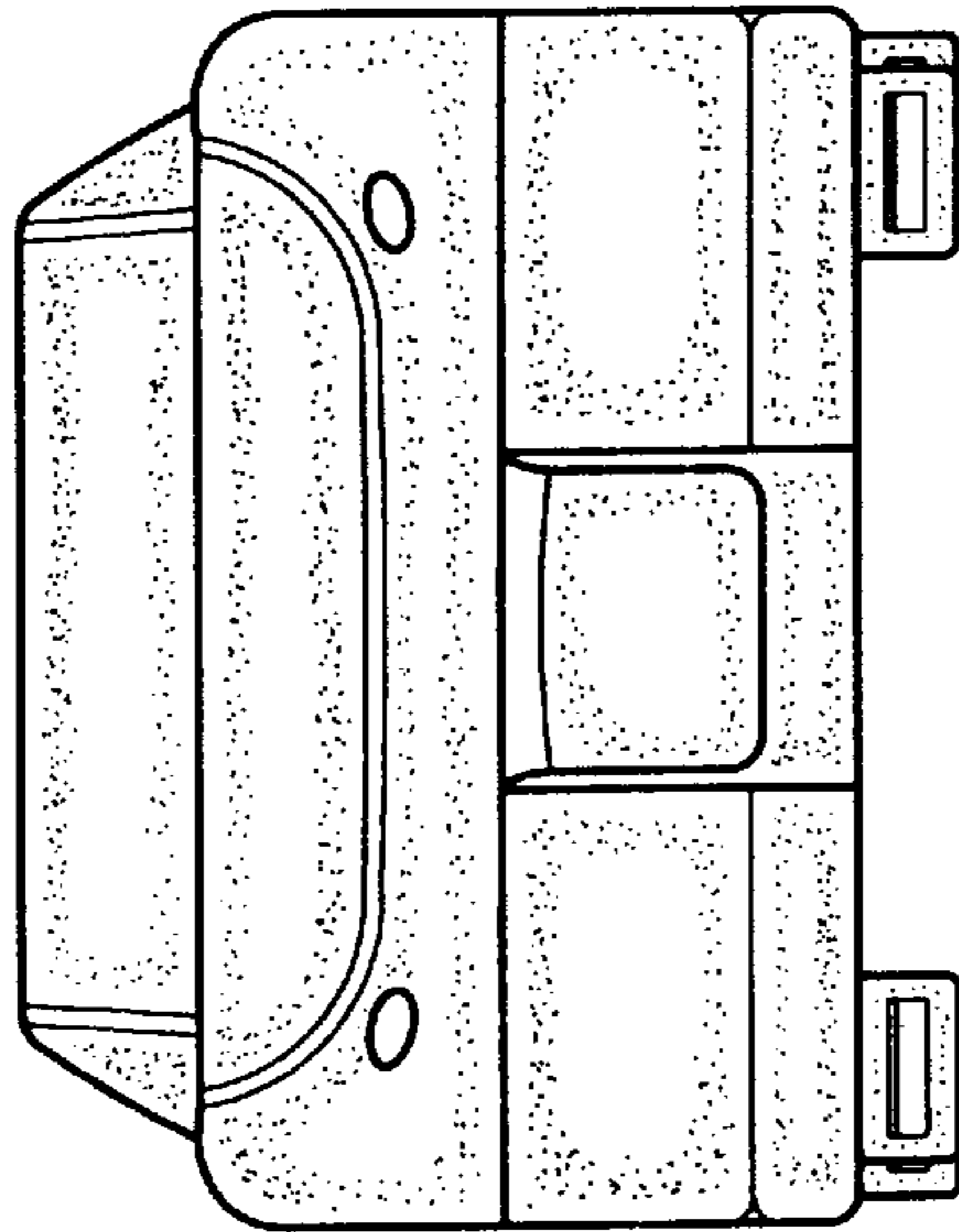


FIG. 3

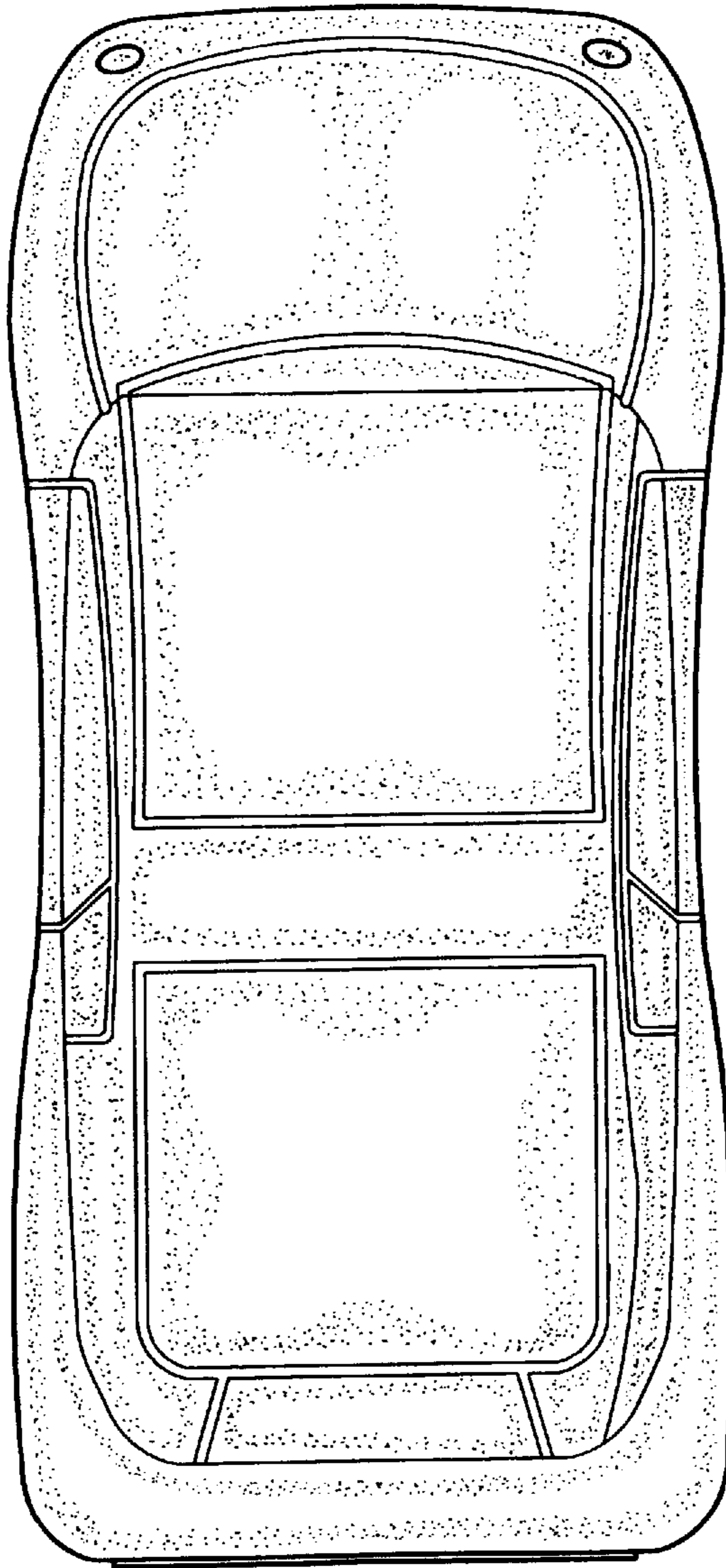


FIG. 4

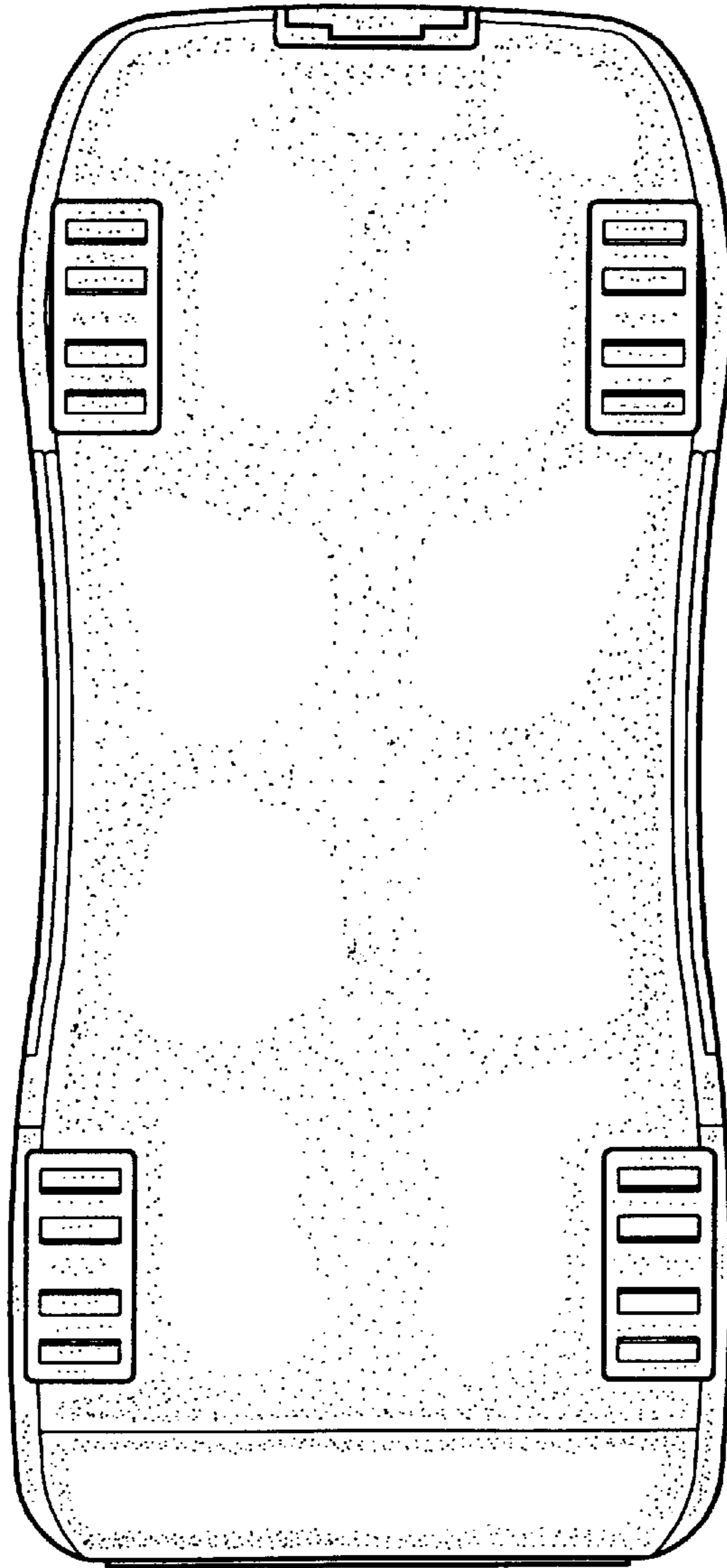


FIG. 5

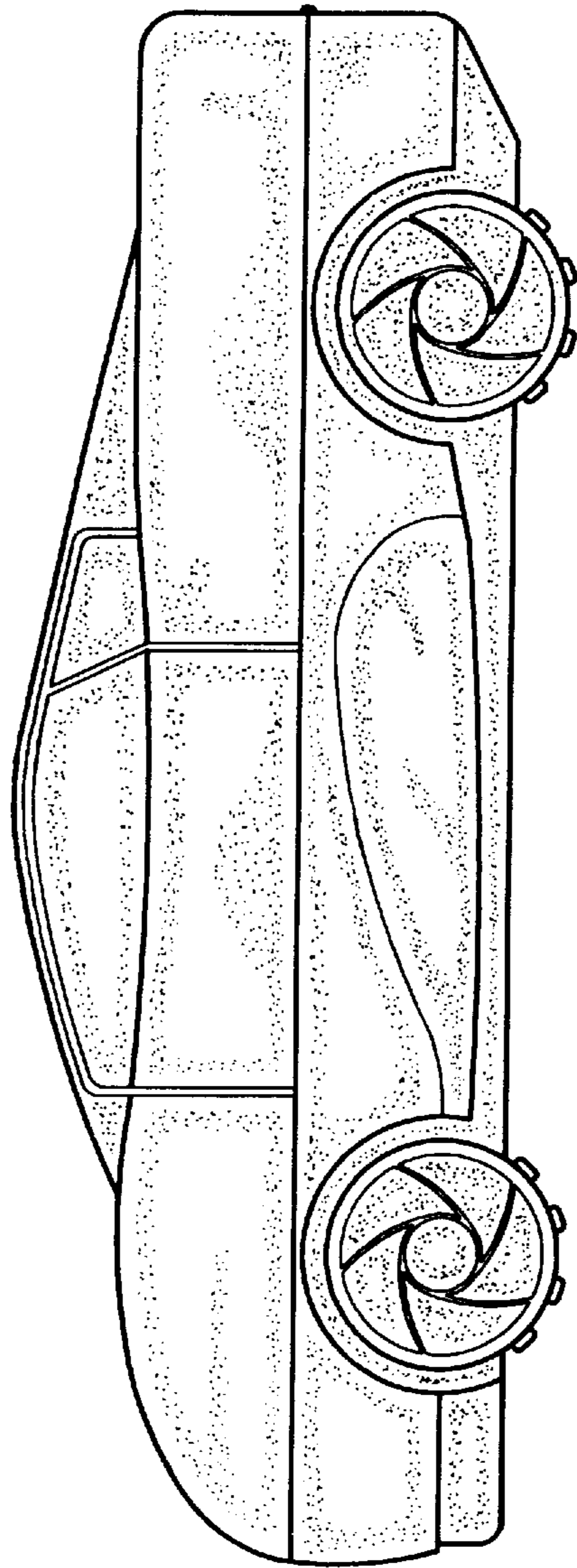


FIG. 6

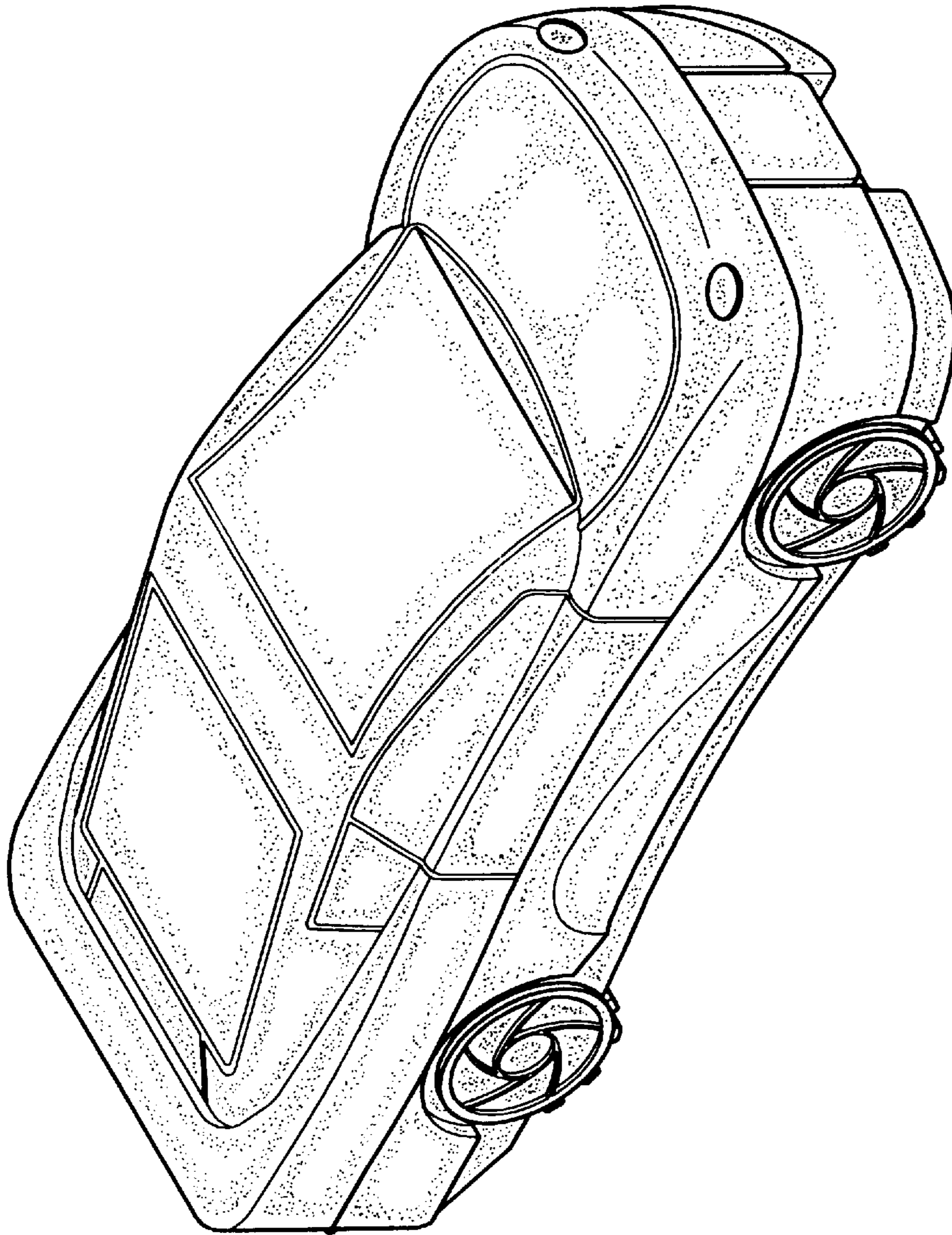


FIG. 7