



US00D397867S

# United States Patent [19]

Fair et al.

[11] Patent Number: **Des. 397,867**

[45] Date of Patent: **\*\*Sep. 8, 1998**

[54] **SOFT BABY CARRIER**

[75] Inventors: **Paul F. Fair**, Denver; **Cindy Nelson**, Longmont, both of Colo.

[73] Assignee: **Lisco, Inc.**, Tampa, Fla.

[\*\*] Term: **14 Years**

D. 377,116 1/1997 Shimura et al. .... D3/213 X  
 2,535,683 12/1950 Kimball ..... D3/214 X  
 2,550,851 5/1951 Nichols ..... 224/159  
 5,178,309 1/1993 Bicheler et al. .... 224/160  
 5,246,152 9/1993 Dotseth ..... 224/158  
 5,570,823 11/1996 Lindy ..... 224/160

[21] Appl. No.: **77,079**

[22] Filed: **Sep. 26, 1997**

Primary Examiner—Prabhakar G. Deshmukh

[51] **LOC (6) Cl.** ..... **03-99**

[52] **U.S. Cl.** ..... **D3/213**

[58] **Field of Search** ..... D3/213, 214; 224/158-161, 224/208, 209

### [57] CLAIM

The ornamental design for a soft baby carrier, as shown and described.

[56] **References Cited**

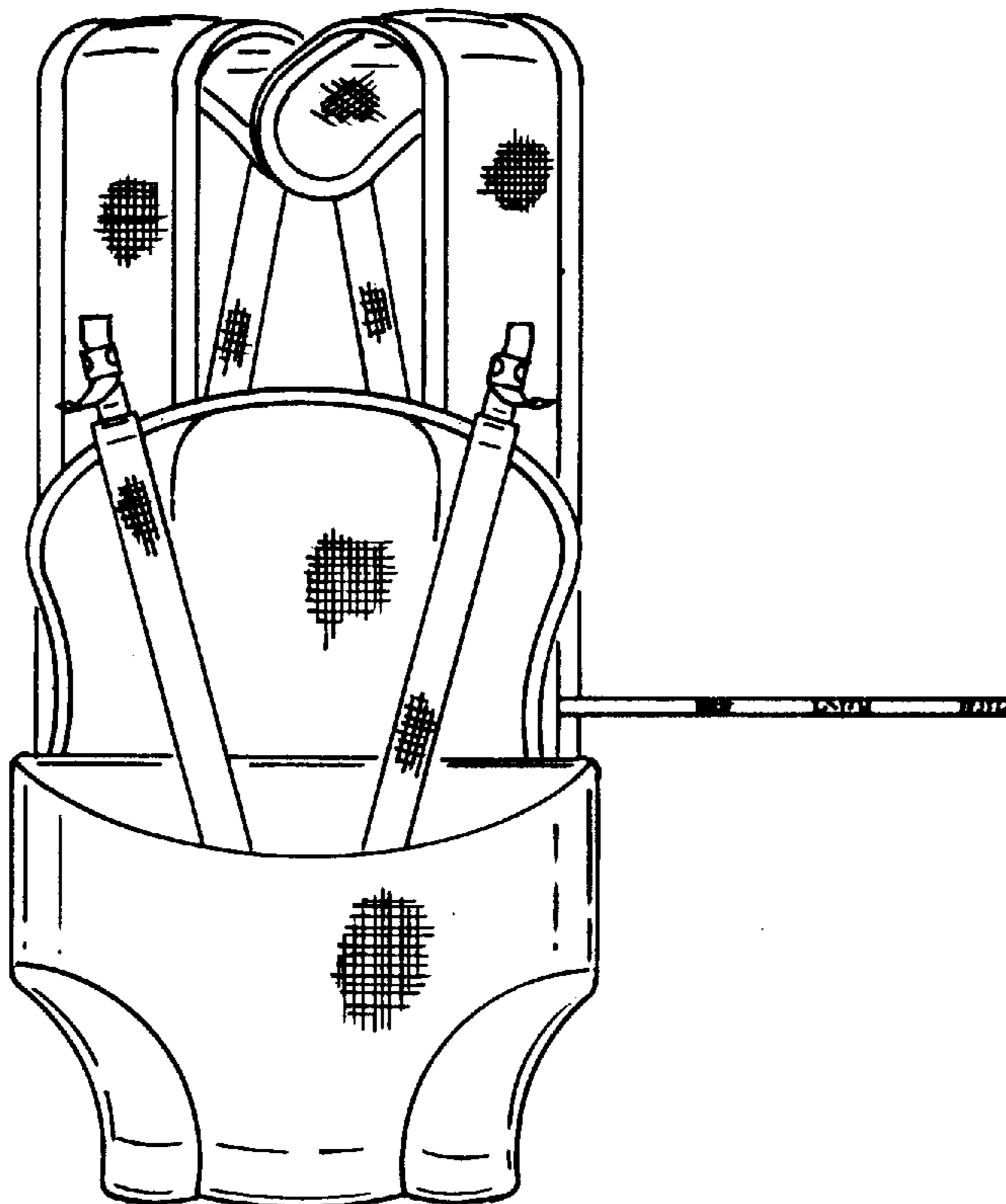
**U.S. PATENT DOCUMENTS**

### DESCRIPTION

D. 255,180 6/1980 Raz ..... D3/214  
 D. 322,695 12/1991 La Due ..... D3/214 X  
 D. 334,659 4/1993 Yamaguchi et al. .... D3/214  
 D. 357,800 5/1995 Roan et al. .... D3/213 X

FIG. 1 is a front elevational view of the soft baby carrier showing my new design;  
 FIG. 2 is a rear elevational view thereof;  
 FIG. 3 is a right side view thereof;  
 FIG. 4 is a left side view thereof;  
 FIG. 5 is a top plan view thereof; and,  
 FIG. 6 is a bottom plan view thereof.

**1 Claim, 3 Drawing Sheets**



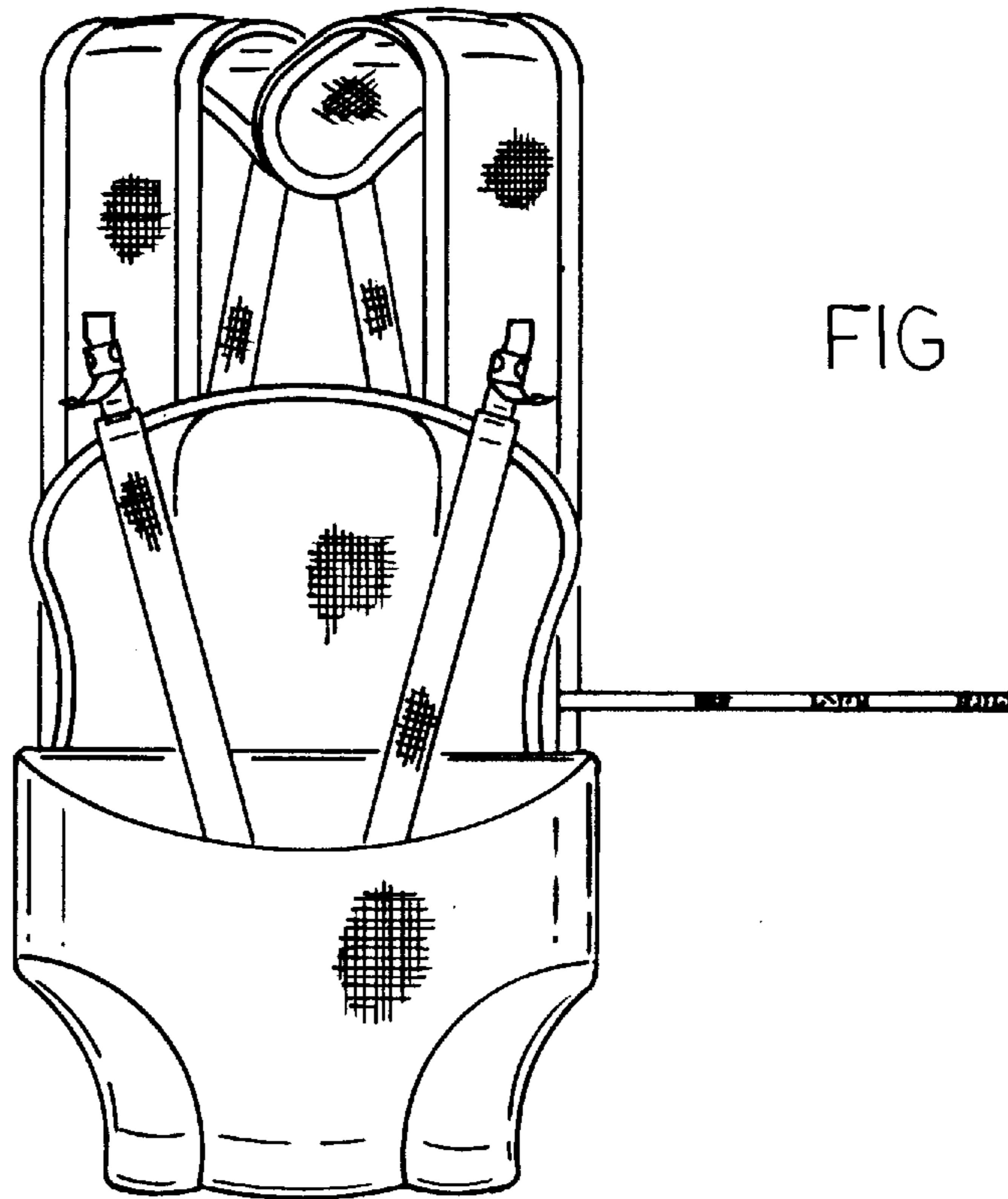


FIG 1

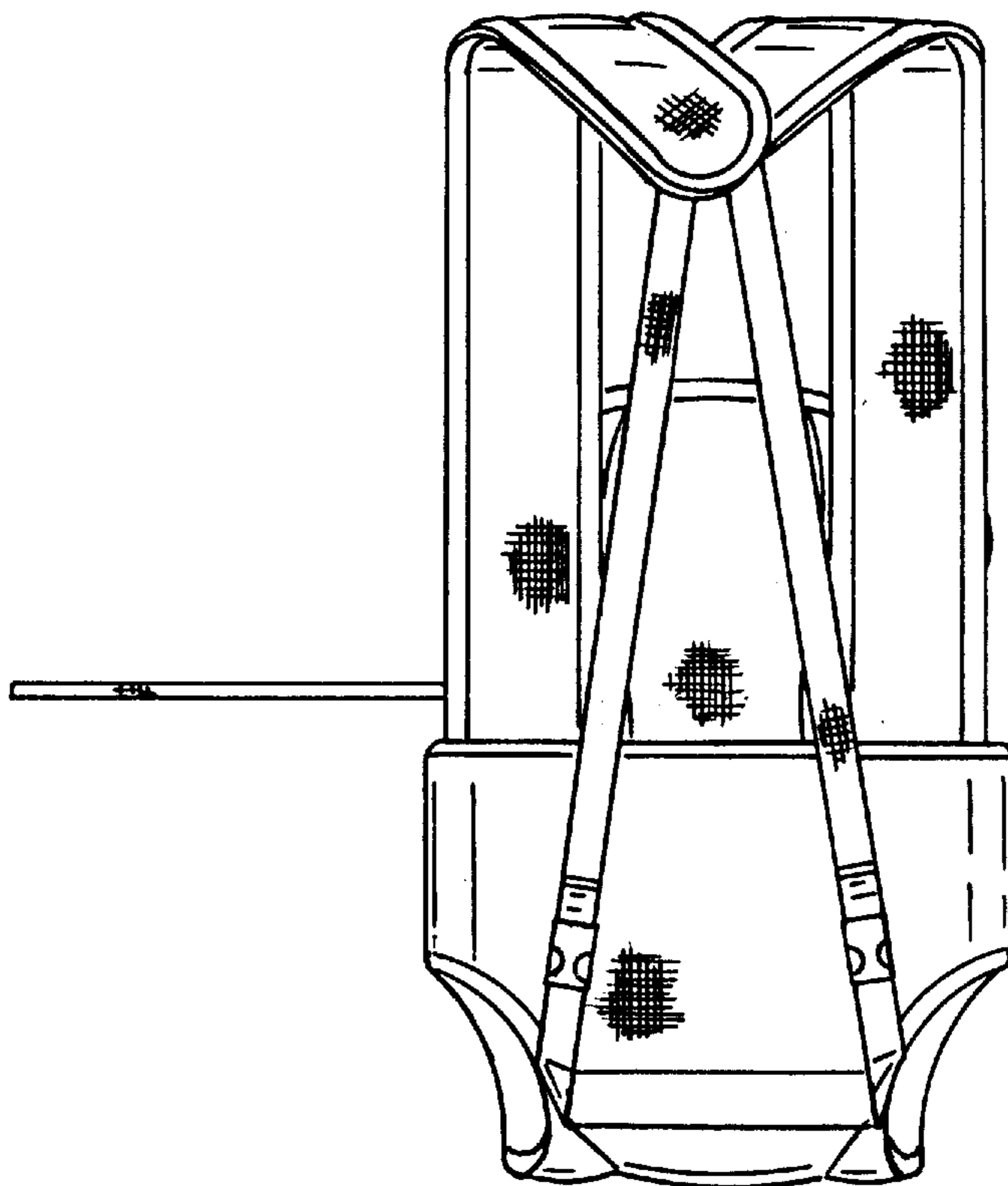


FIG 2

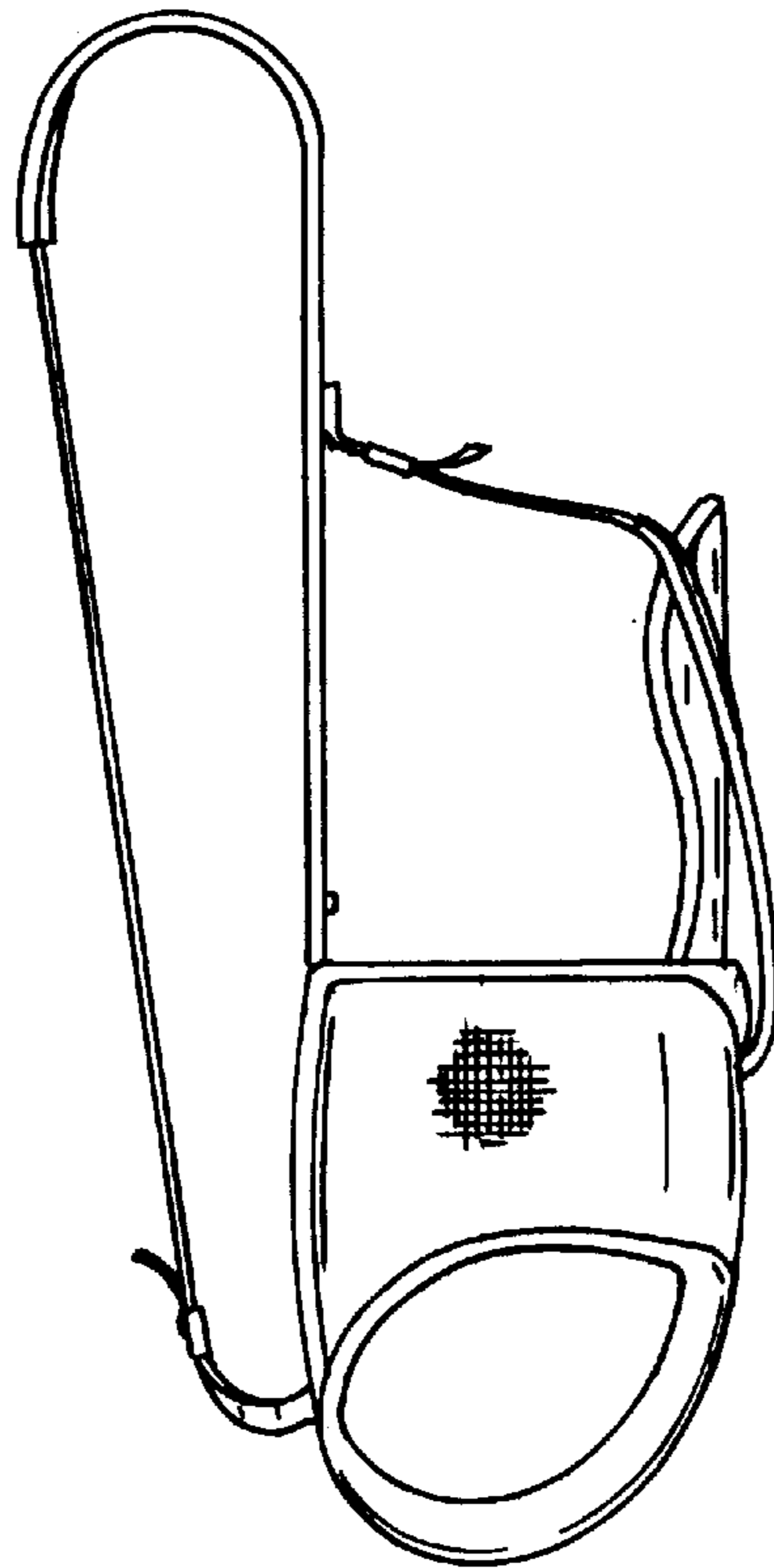


FIG 3

FIG 4

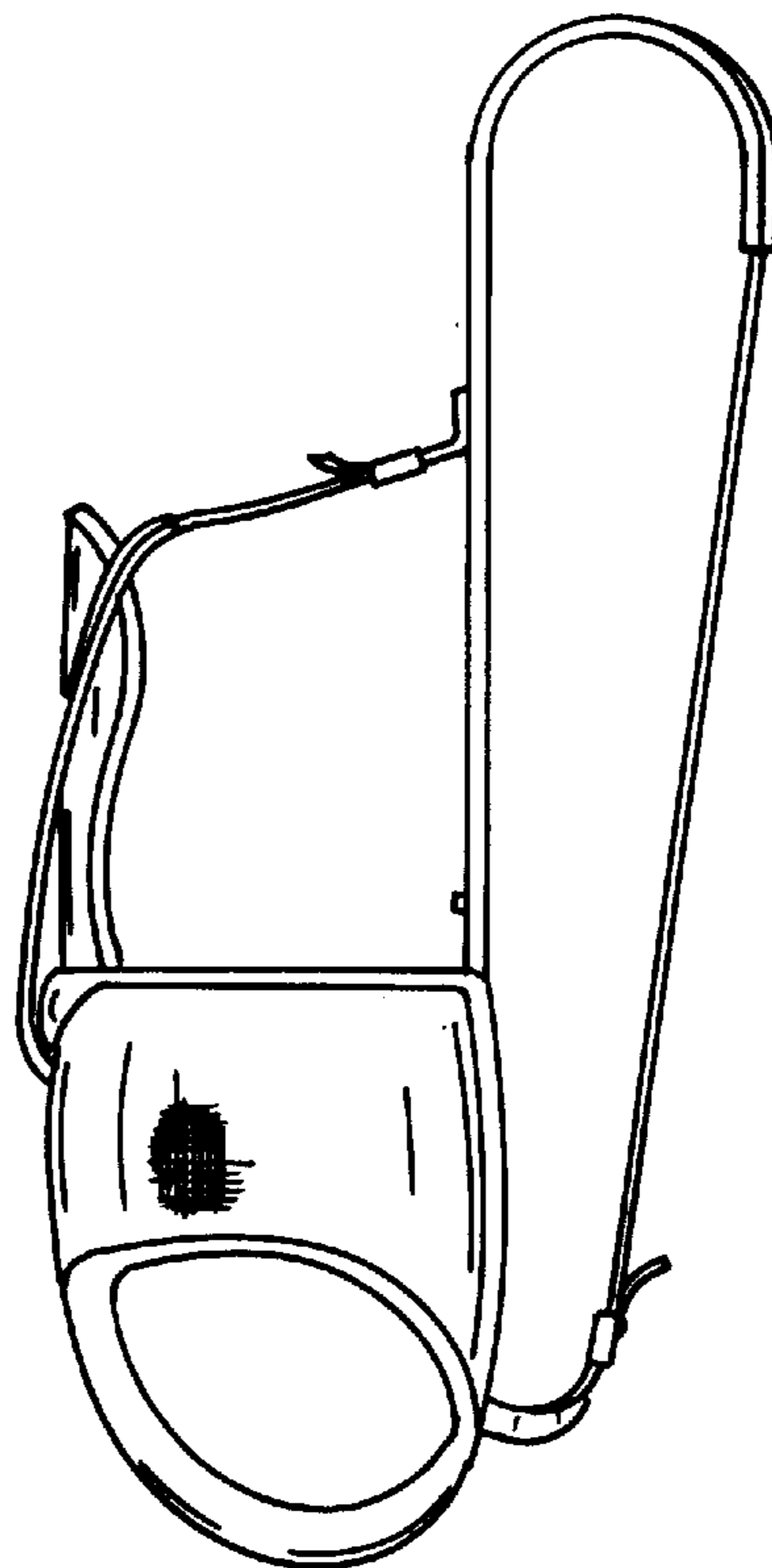


FIG 5

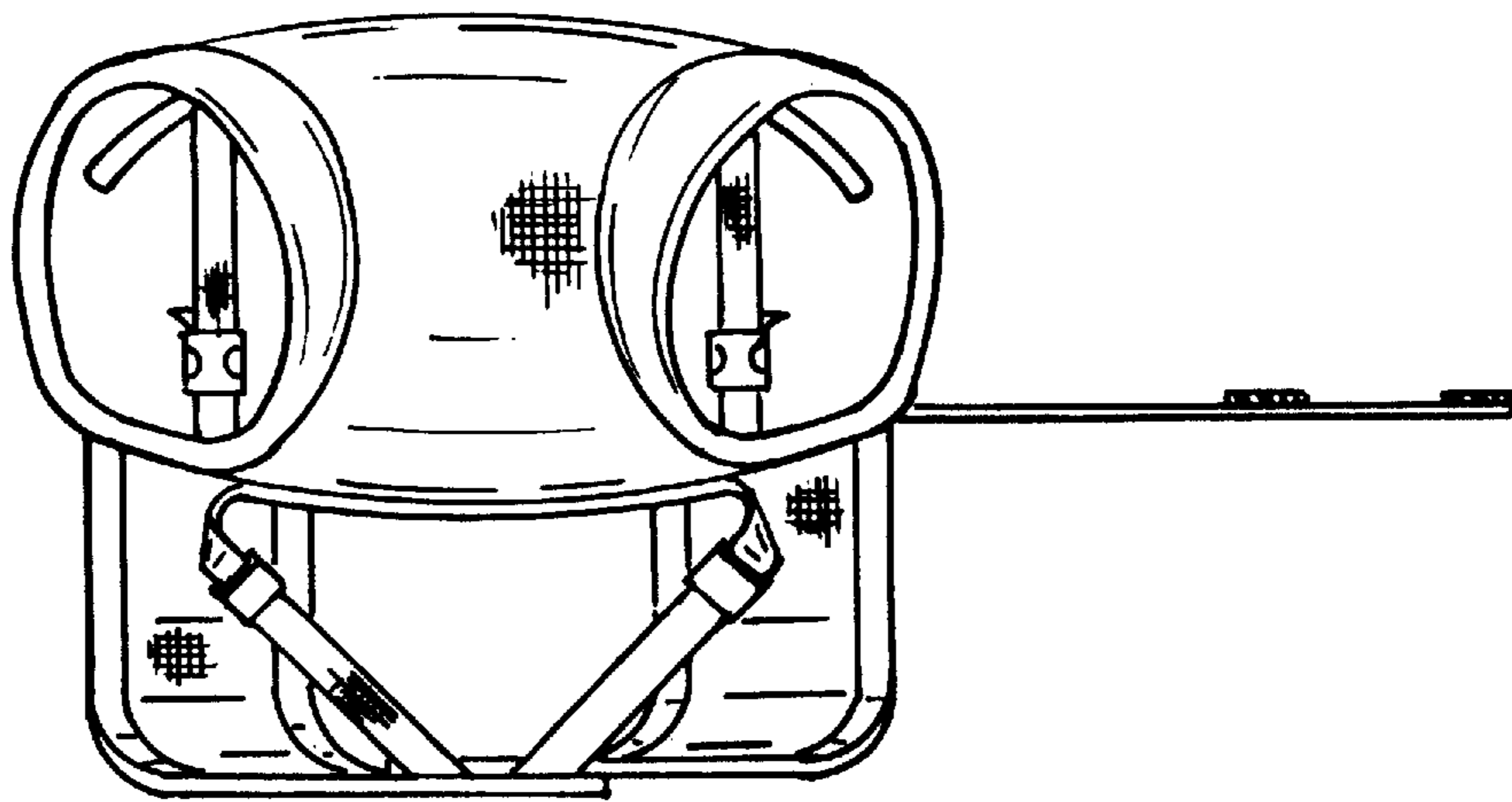
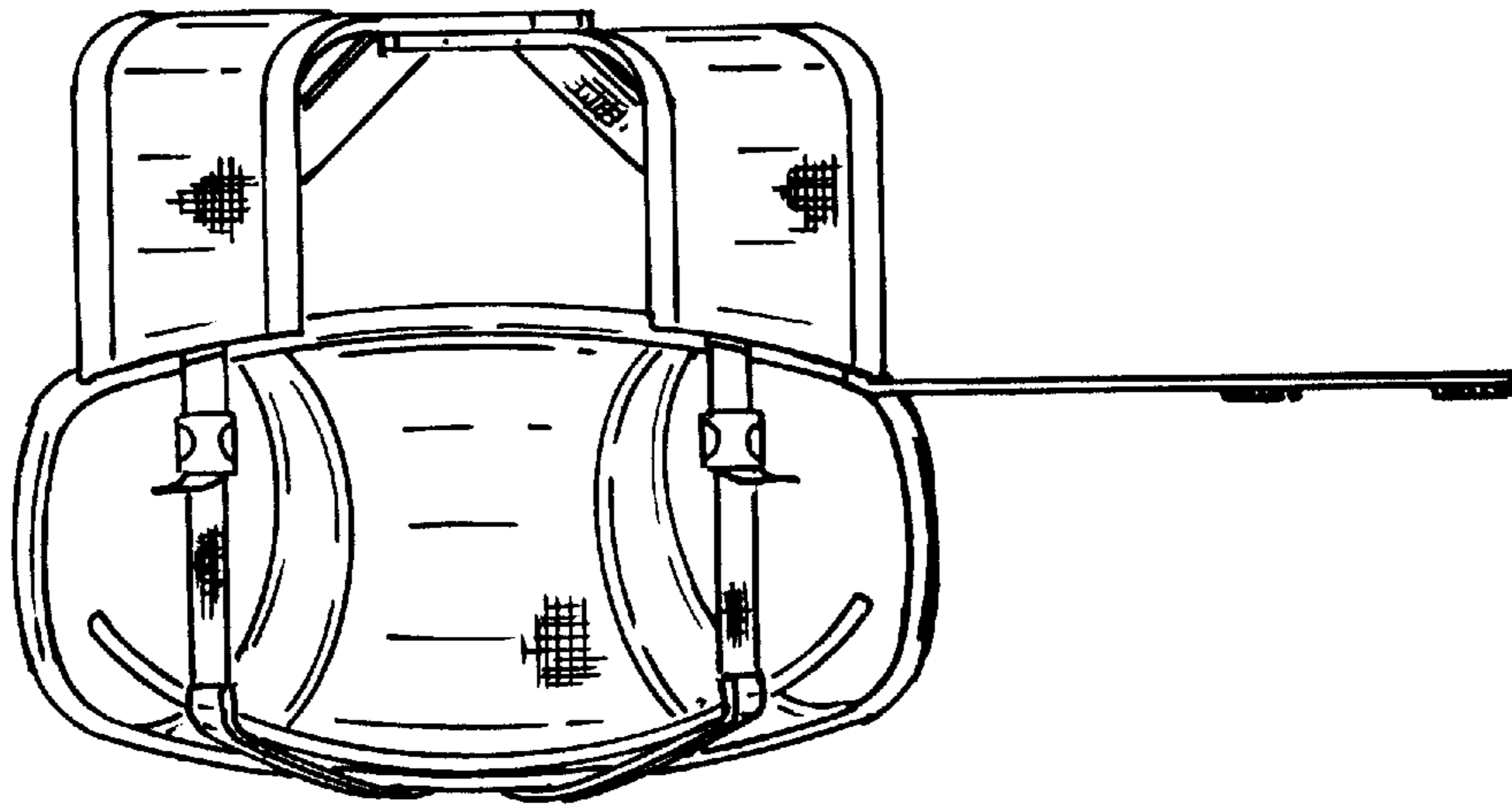


FIG 6