



US00D397864S

United States Patent [19] Svantesson

[11] **Patent Number: Des. 397,864**

[45] **Date of Patent: **Sep. 8, 1998**

[54] **COMBINED STORAGE BOX AND SEWING TABLE FOR SEWING MACHINE**

D. 375,620 11/1996 Chan D3/20
D. 375,621 11/1996 Sudbrock D3/20

[75] Inventor: **Jan Esbjörn Svantesson**, Stockholm, Sweden

Primary Examiner—Doris V. Coles
Assistant Examiner—Catherine R. Oliver
Attorney, Agent, or Firm—Pearne, Gordon, McCoy and Granger LLP

[73] Assignee: **Aktiebolaget Electrolux**, Stockholm, Sweden

[**] Term: **14 Years**

[57] **CLAIM**

[21] Appl. No.: **54,787**

The ornamental design for a combined storage box and sewing table for sewing machine, as shown and described.

[22] Filed: **May 22, 1996**

DESCRIPTION

[30] **Foreign Application Priority Data**

Nov. 23, 1995 [SE] Sweden 952208

FIG. 1 is a right side and top perspective view of the sewing table showing my new design;
FIG. 2 is a top, rear and left side perspective view thereof;
FIG. 3 is a front perspective view of the combined storage box and sewing table for sewing machine showing my new design;
FIG. 4 is a top plan view thereof;
FIG. 5 is a front elevational view thereof;
FIG. 6 is a rear elevational view thereof;
FIG. 7 is a left side elevational view thereof;
FIG. 8 is a right side elevational view thereof; and,
FIG. 9 is a bottom plan view.

[51] **LOC (6) Cl.** **03-01**

[52] **U.S. Cl.** **D3/20**

[58] **Field of Search** D3/20, 23, 25;
D9/303, 426, 423; 206/360, 363, 364, 365, 574, 581

The broken line showing of environment in FIGS. 1 and 2 is for illustrative purposes only and forms no part of the claimed design.

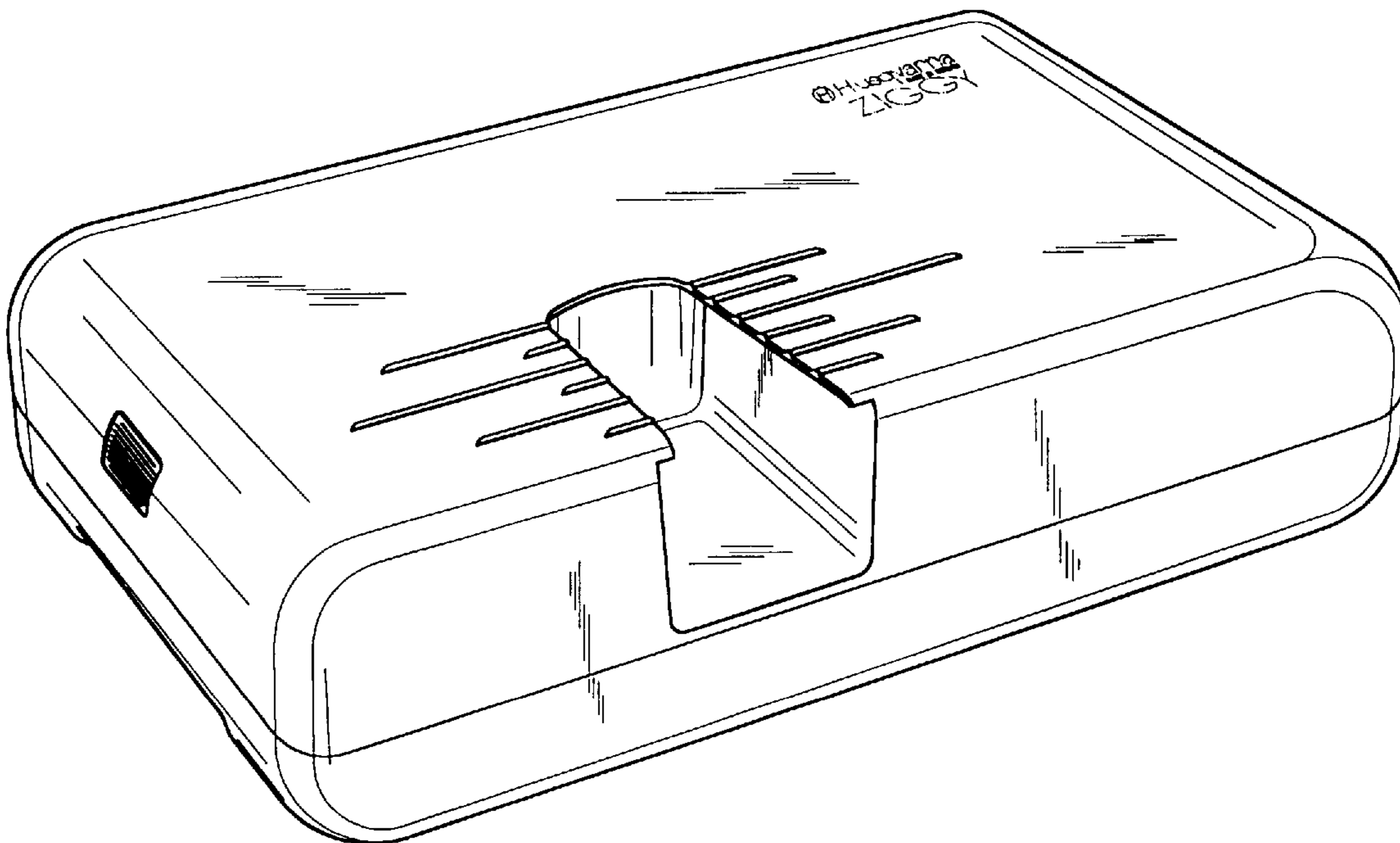
[56] **References Cited**

U.S. PATENT DOCUMENTS

- D. 141,980 8/1945 Holland et al. D3/274
- D. 165,418 12/1951 Ekstrom D3/25
- D. 282,216 1/1986 Doyel D3/20
- D. 341,935 12/1993 Peersmann D3/900 X
- D. 365,206 12/1995 Goodman D3/273

The bottom of the sewing table is plain and unornamented.

1 Claim, 4 Drawing Sheets



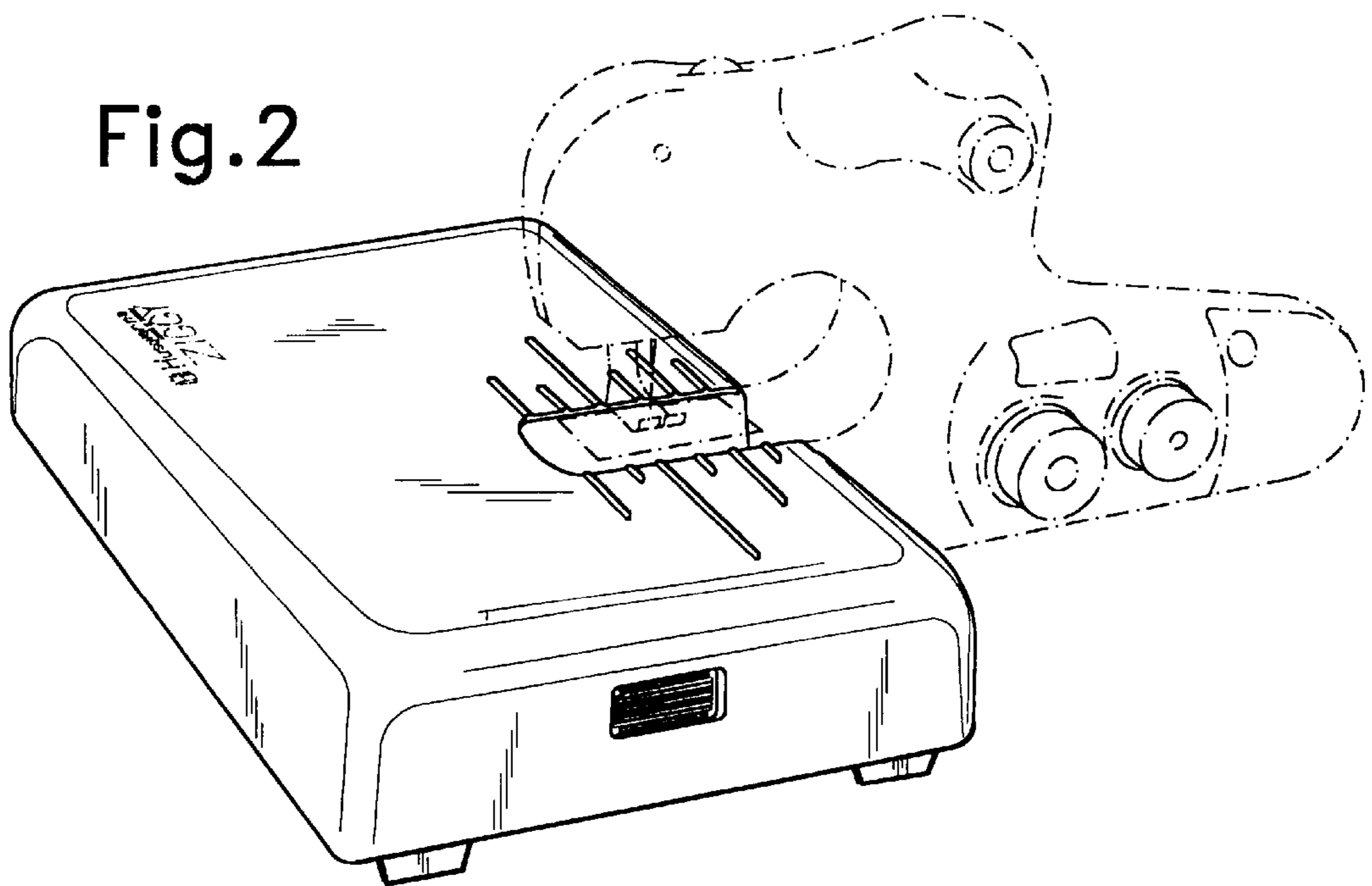
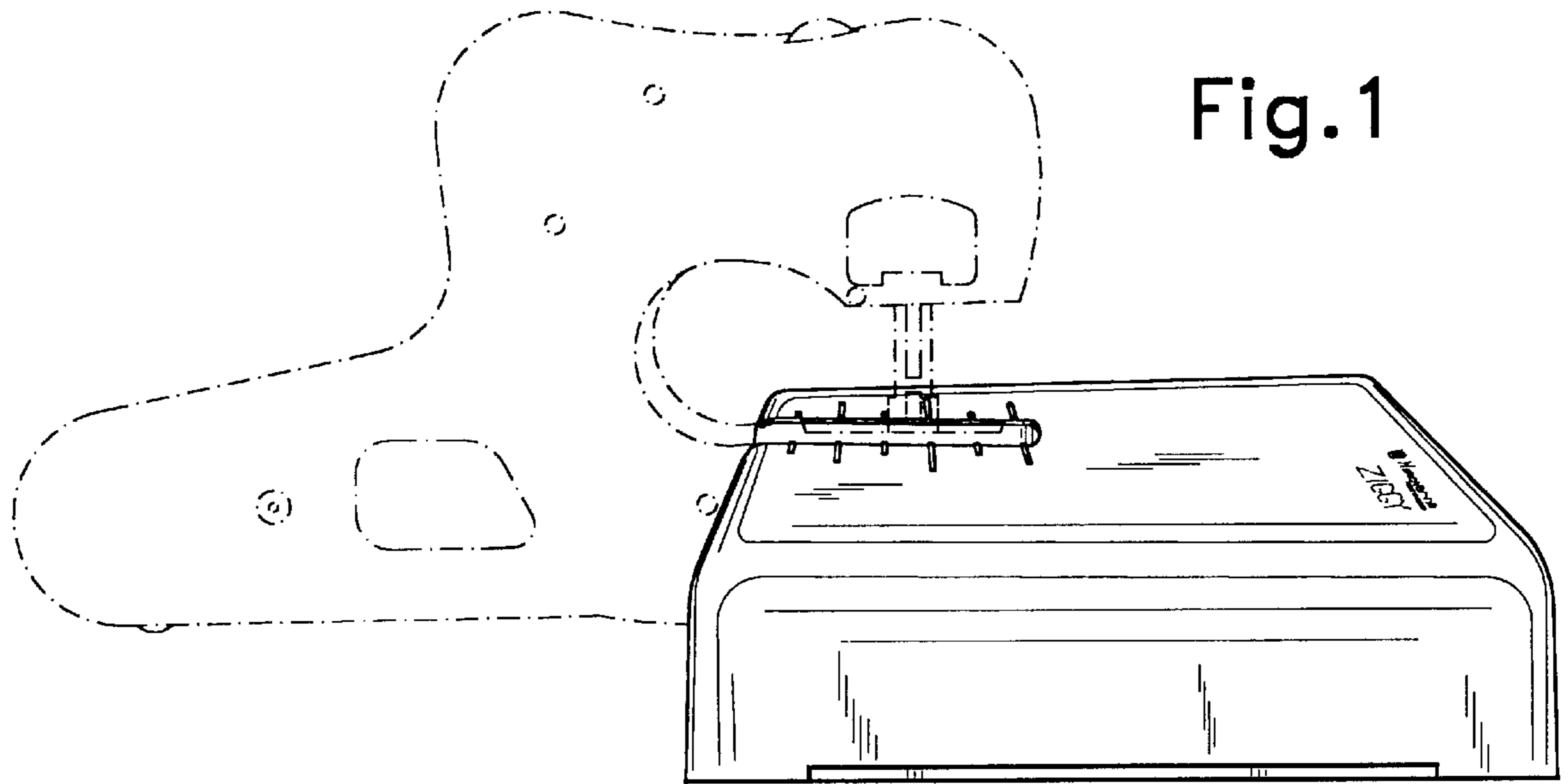


Fig.3

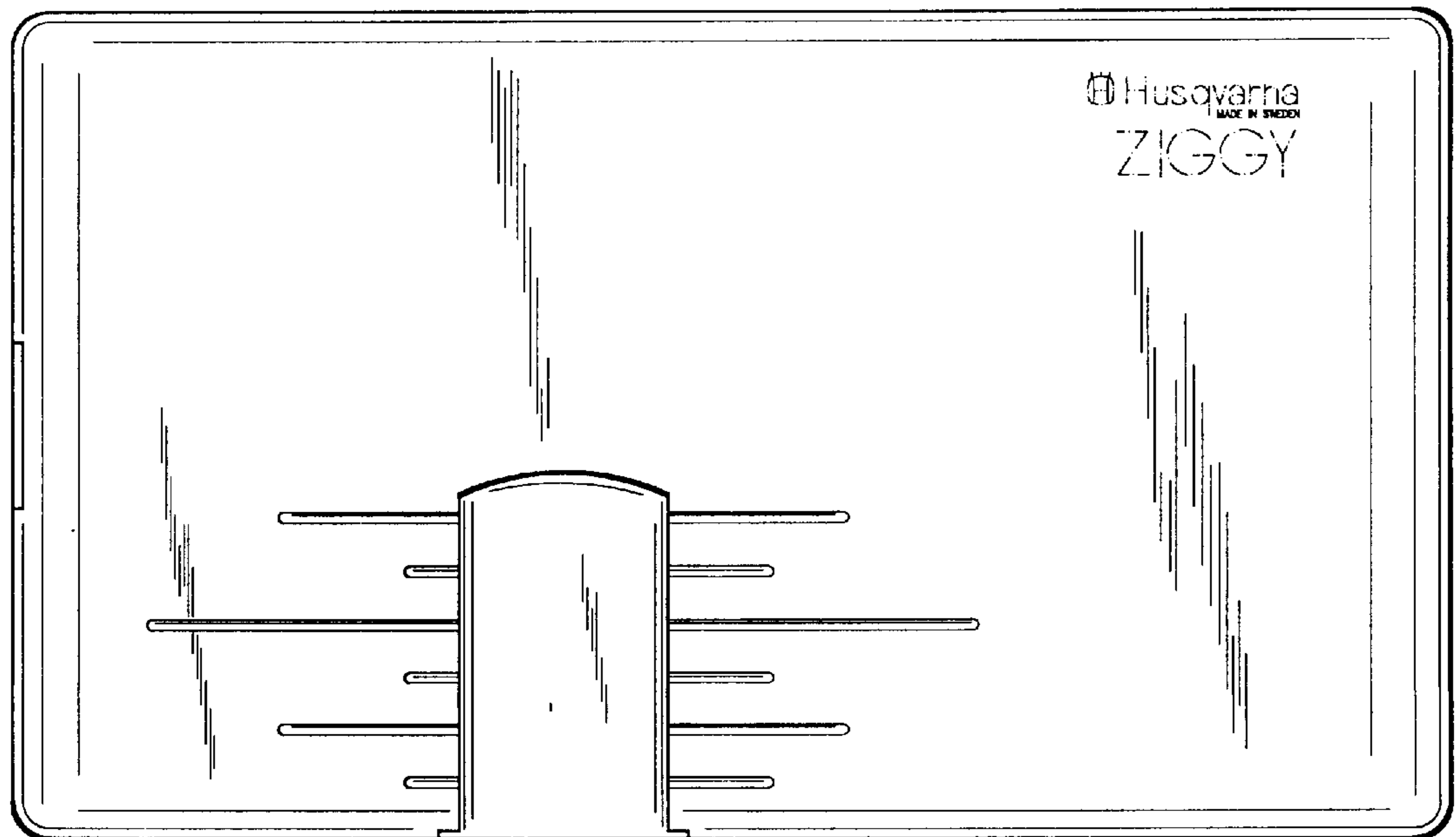
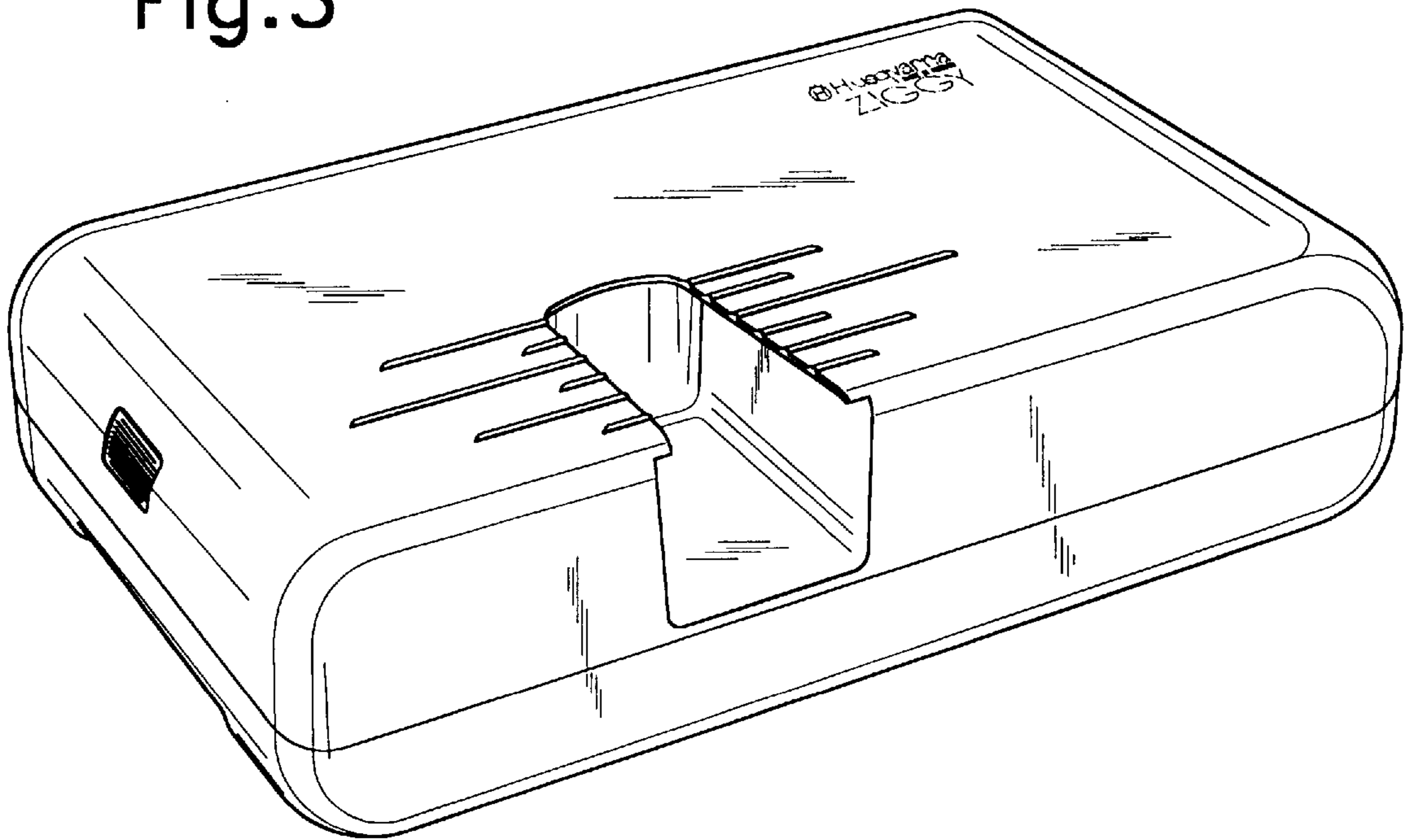


Fig.4

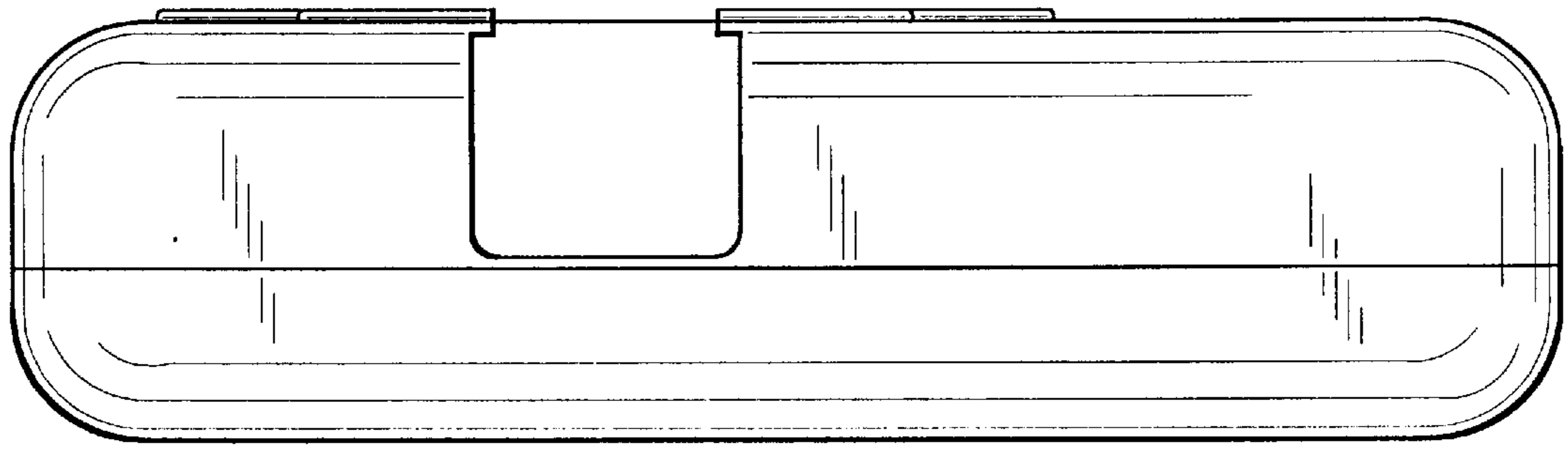


Fig.5

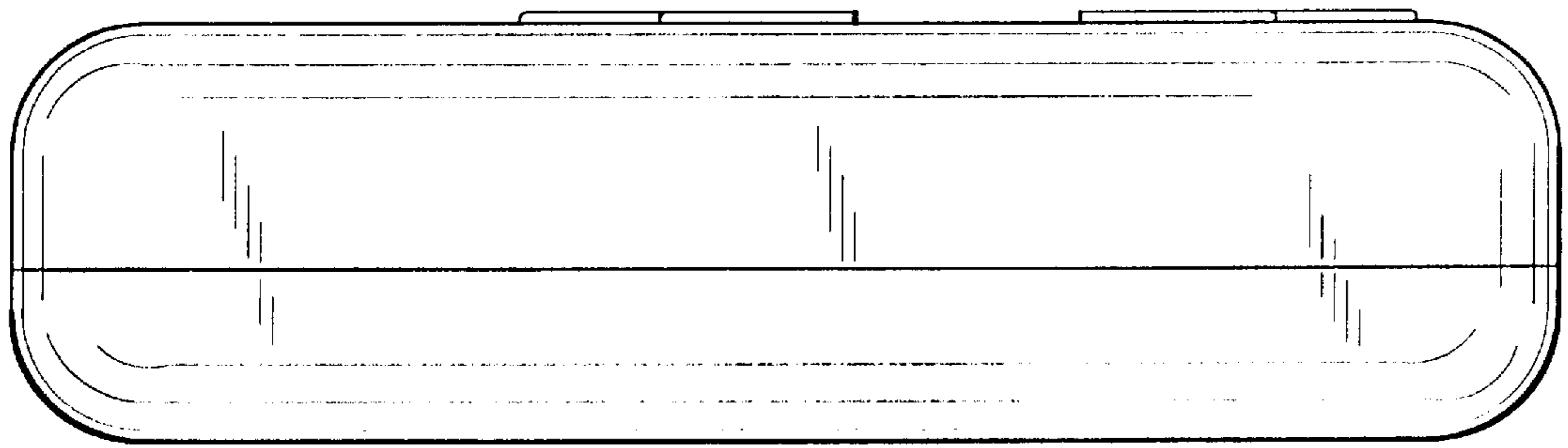


Fig.6

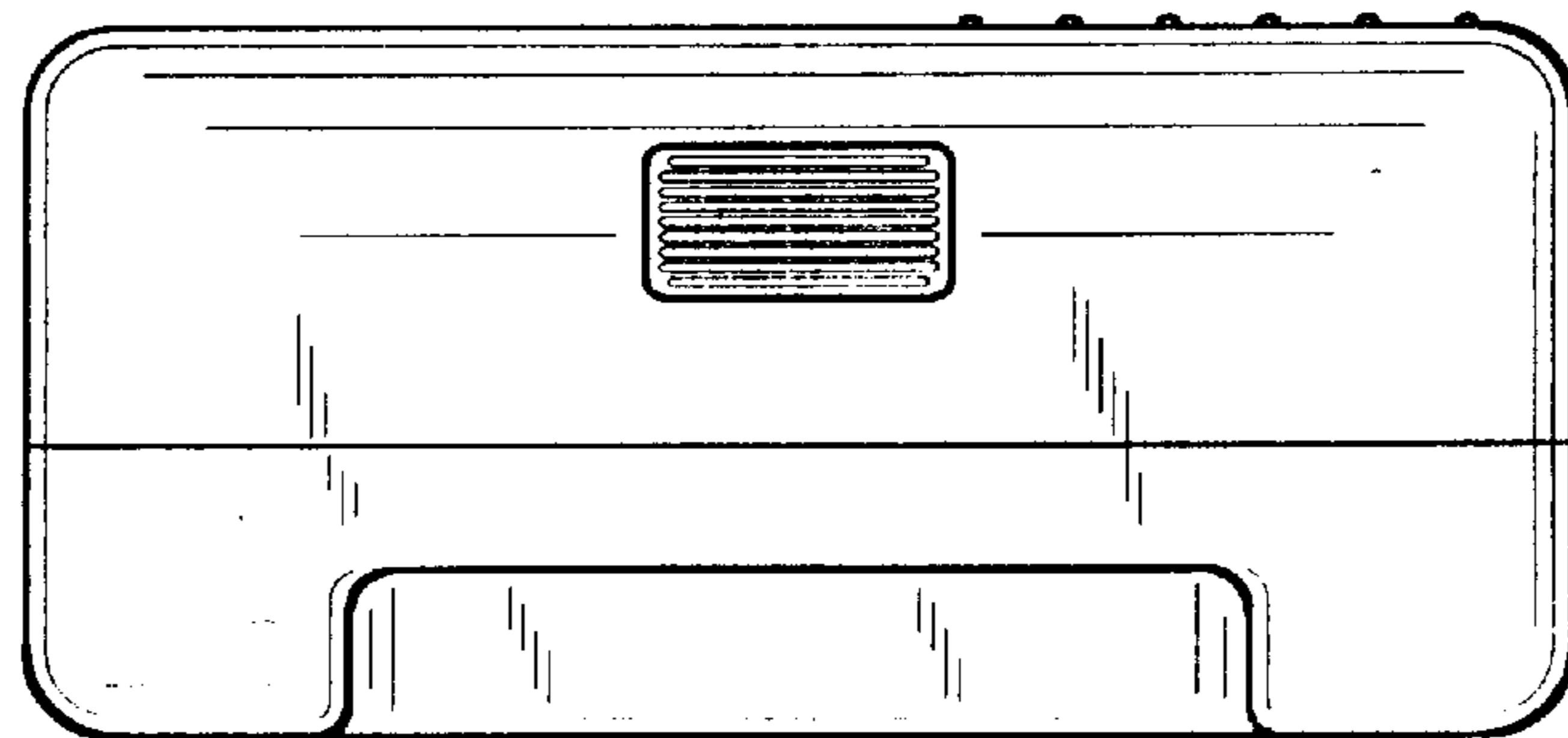


Fig.7

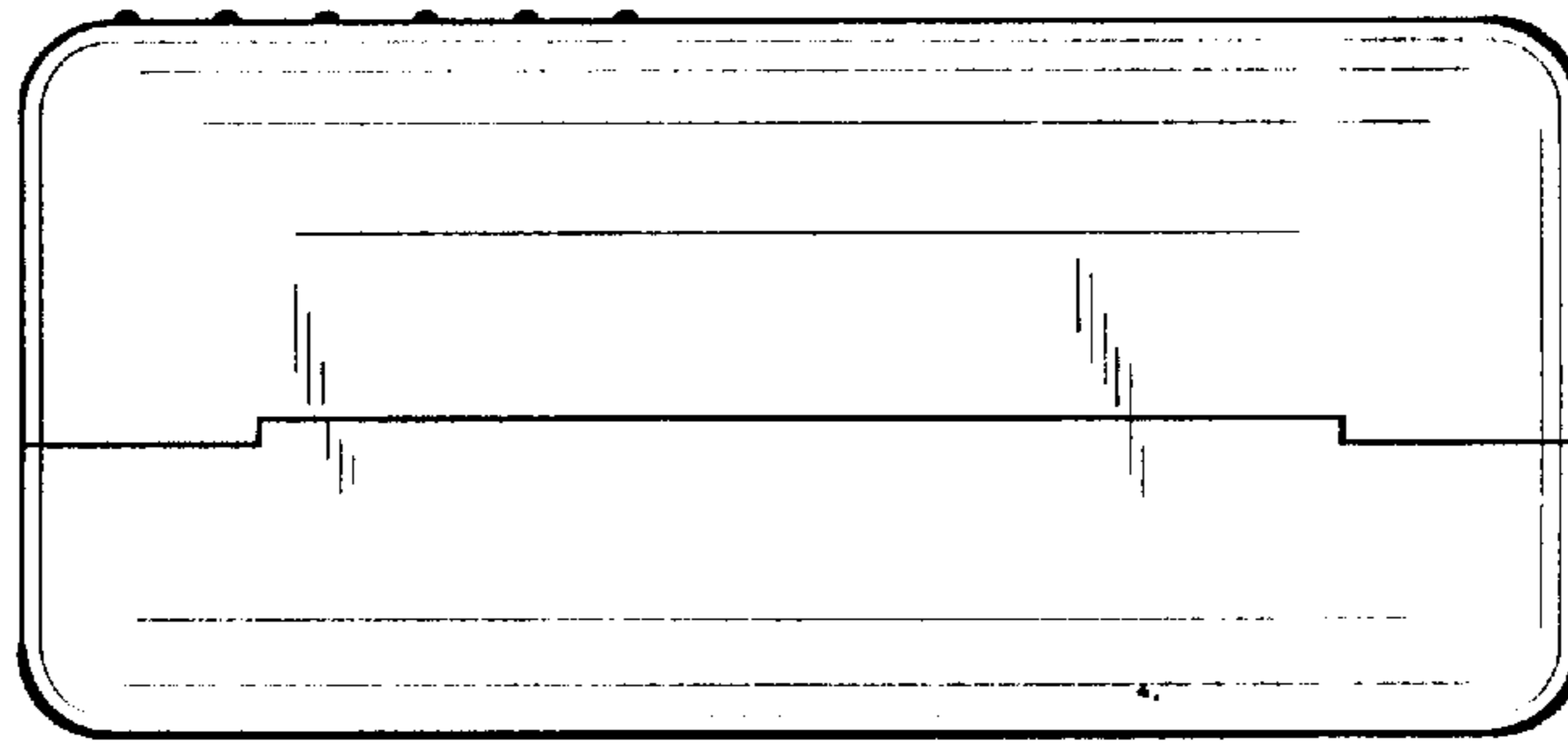


Fig. 8

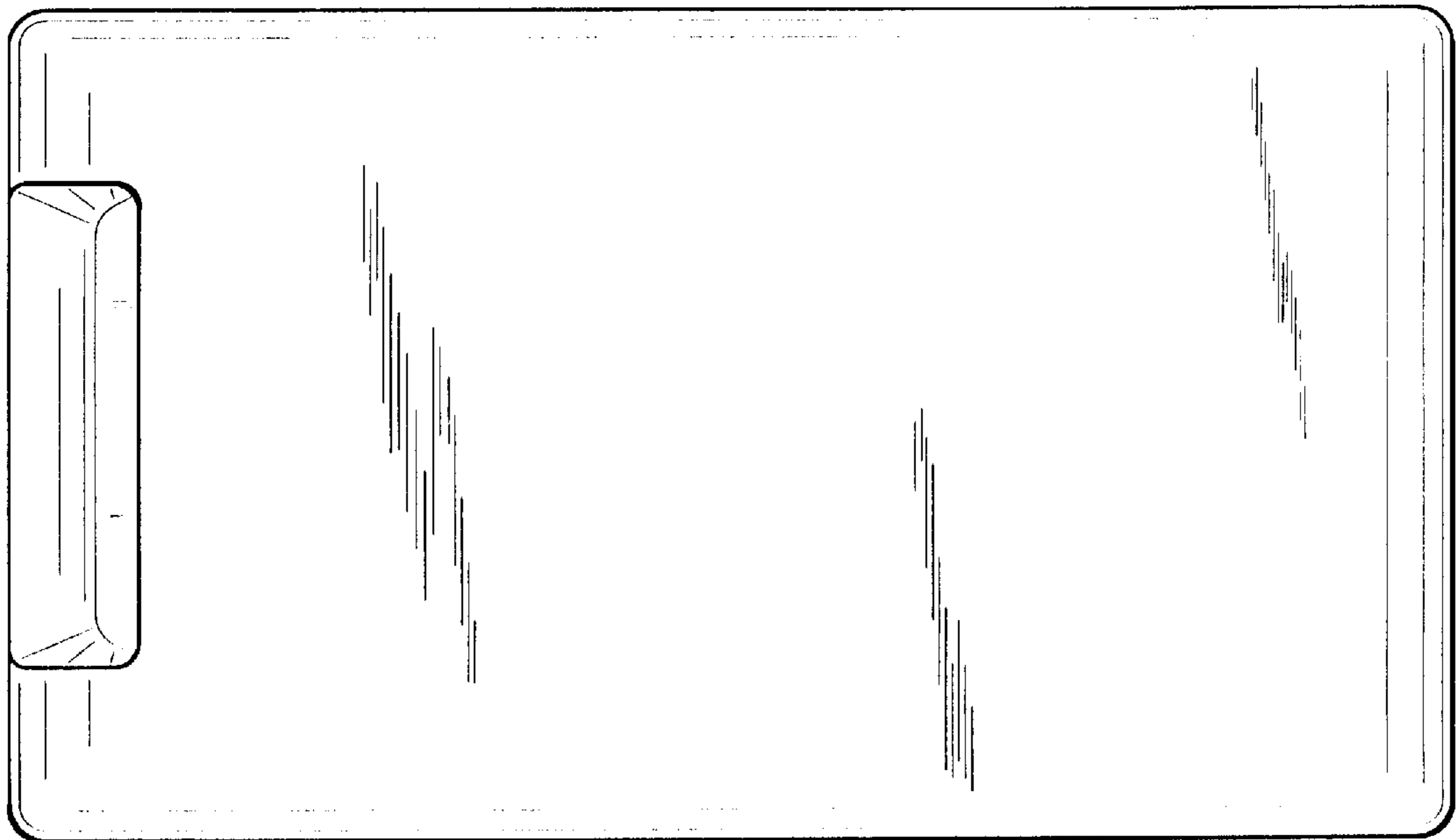


Fig. 9