



US00D397838S

# United States Patent [19]

Waggoner et al.

[11] Patent Number: **Des. 397,838**

[45] Date of Patent: **\*\*Sep. 8, 1998**

[54] **MATERNITY MUSIC BELT**

[76] Inventors: **Don Waggoner; Lisa Waggoner**, both of 1717 15 St., Bremerton, Wash. 98337

[\*\*] Term: **14 Years**

[21] Appl. No.: **67,691**

[22] Filed: **Mar. 3, 1997**

[51] **LOC (6) Cl.** ..... **02-07**

[52] **U.S. Cl.** ..... **D2/629**; D14/192; D2/624

[58] **Field of Search** ..... D2/624, 625, 627, D2/628, 629, 701; D14/192; D11/3; 2/171, 181, 195.1, 247, 44, 908; 224/222, 250; 602/19

[56] **References Cited**

**U.S. PATENT DOCUMENTS**

D. 258,433	3/1981	Bulmash et al.	.....	D14/192
D. 262,455	12/1981	Bulmash et al.	.....	D14/192
D. 282,020	1/1986	Gwon et al.	.....	D14/192 X
D. 284,080	6/1986	Swezey et al.	.....	D14/192

D. 310,907	10/1990	Mark	.....	D14/192
710,732	10/1902	Anderson	.....	2/247
837,824	12/1906	Gibson	.....	2/247
1,434,854	11/1922	Stall	.....	2/171
1,766,604	6/1930	Cohen	.....	D2/625 X
2,186,191	1/1940	Beckwith	.....	D2/625 X
5,146,630	9/1992	Richard	.....	2/247 X

*Primary Examiner*—Paula A. Mortimer  
*Attorney, Agent, or Firm*—Harold H. Dutton, Jr.

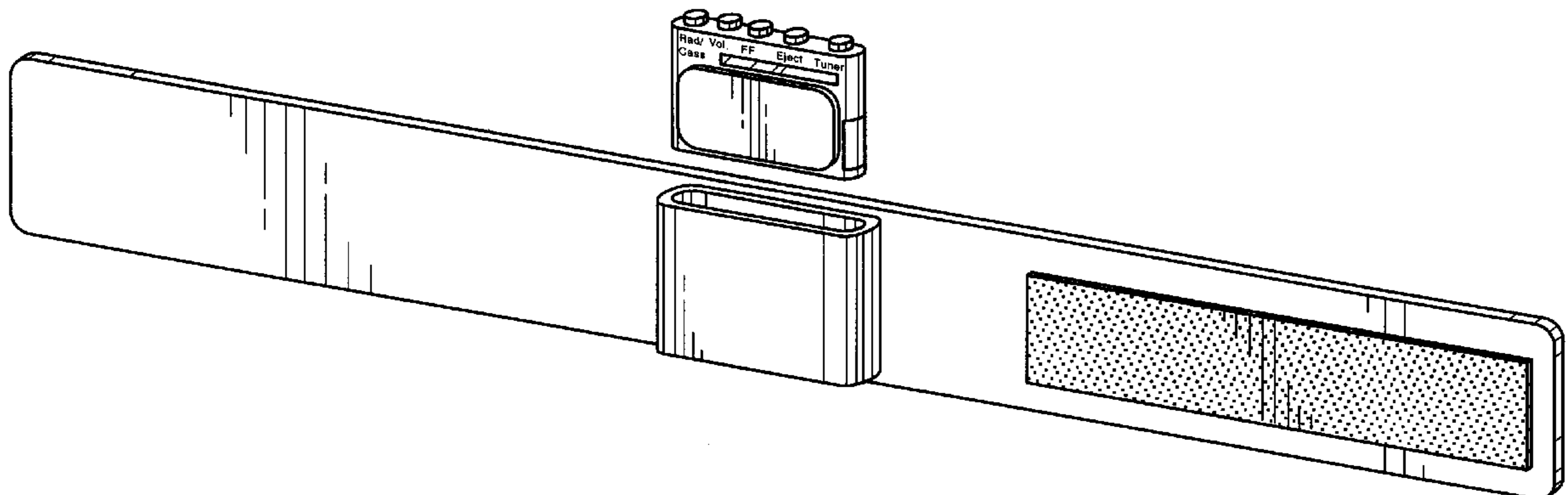
[57] **CLAIM**

The ornamental design for a maternity music belt, as shown.

**DESCRIPTION**

FIG. 1 is a perspective view of a maternity music belt showing our new design;  
FIG. 2 is a front view thereof;  
FIG. 3 is a rear view thereof;  
FIG. 4 is a top view thereof;  
FIG. 5 is a bottom view thereof;  
FIG. 6 is a right side view thereof; and,  
FIG. 7 is a left side view thereof.

**1 Claim, 4 Drawing Sheets**



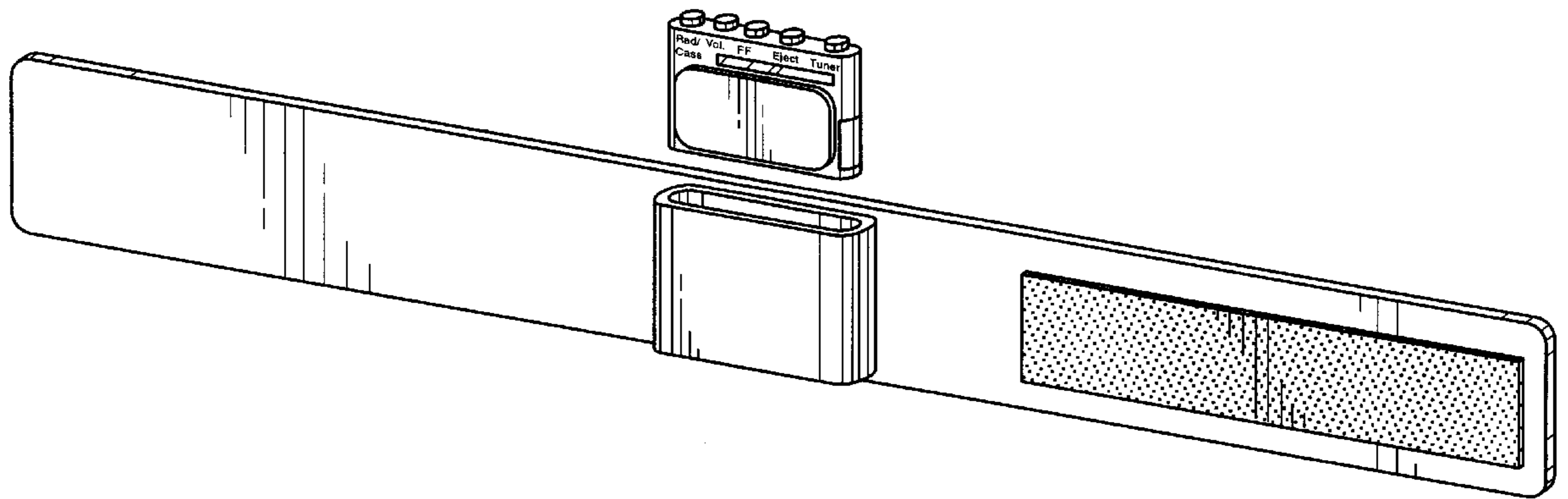


FIG. 1

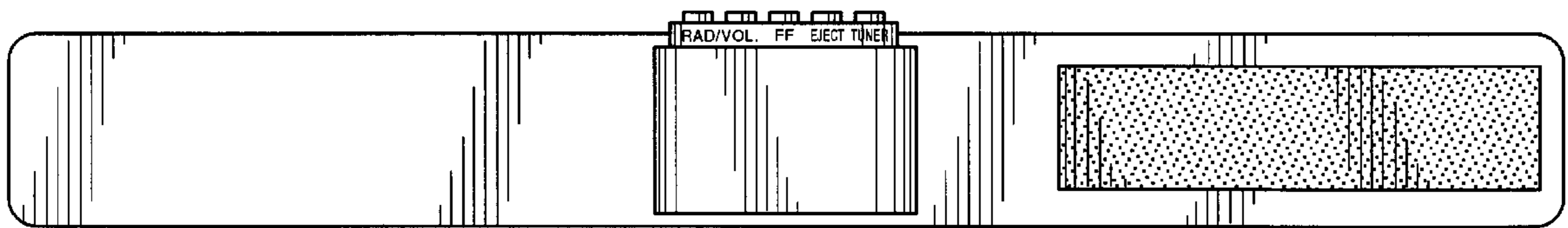


FIG. 2

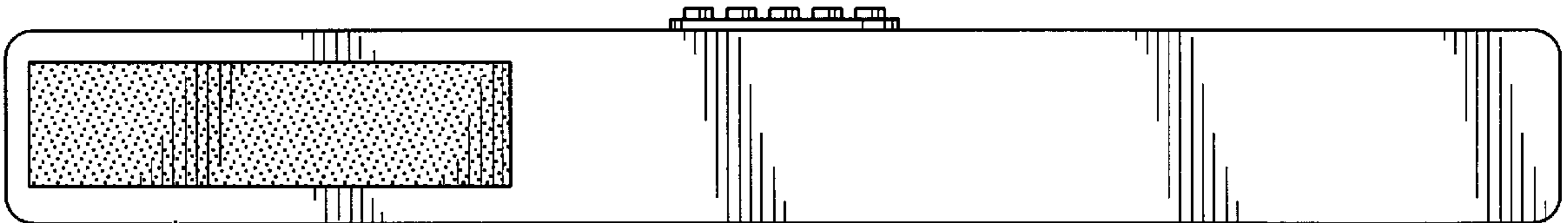


FIG. 3



FIG. 4



FIG. 5

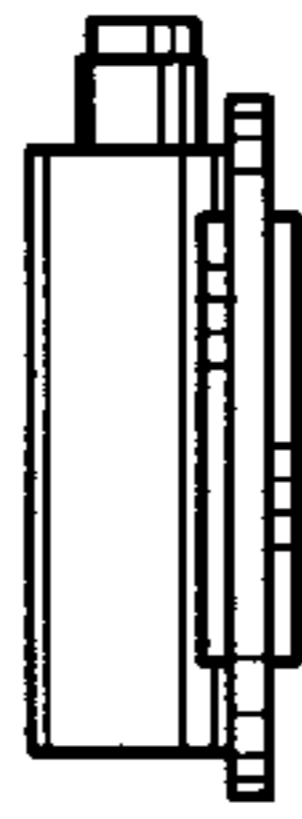


FIG. 6

FIG. 7

