



US00D397832S

United States Patent [19]
Allen

[11] **Patent Number: Des. 397,832**

[45] **Date of Patent: **Sep. 1, 1998**

[54] **CAT CLIMBING HABITAT**

1001728 12/1981 Netherlands 119/706
204819 8/1968 U.S.S.R. D30/108
2259638 3/1993 United Kingdom 119/579

[76] **Inventor: Danny A. Allen, 4403 NC Hwy. 96
South, Four Oaks, N.C. 27524**

[**] **Term: 14 Years**

[21] **Appl. No.: 51,917**

[22] **Filed: Mar. 19, 1996**

[51] **LOC (6) Cl. 30-02**

[52] **U.S. Cl. D30/108; D30/118**

[58] **Field of Search 119/52.2-52.3,
119/57.8-57.9, 28.5, 705, 706, 482, 483,
498-499, 485; 52/182; D30/124-128, 108-109,
119, 118, 160-161, 158**

OTHER PUBLICATIONS

Karmel plastics catalog; 1980; steps/ladder.
How To Make It—Book of Crafts; ©1941; Seed Box.
The Hookery; Downy Diner Collection Bird Seed Feeder;
Aug. 15, 1995.
World's Finest Feline Furniture catalog.
Cat Craft Co. brochure; Cat Furniture.
Kitty Klimber brochure.
Kitty Kingdom II brochure.

Primary Examiner—Cathy Anne MacCormac
Attorney, Agent, or Firm—Harold H. Dutton, Jr.

[56] **References Cited**

U.S. PATENT DOCUMENTS

- D. 198,568 7/1964 Clever .
- D. 214,173 5/1969 Garten .
- D. 274,377 6/1984 Nock .
- D. 289,450 4/1987 Jennings .
- D. 361,647 8/1995 Thomas et al. D30/108
- D. 364,489 11/1995 Cook D30/108
- D. 370,093 5/1996 DeLuca D30/160
- 2,143,592 1/1939 Baldeck .
- 2,230,058 1/1941 Hornung .
- 2,579,797 12/1951 Churchfield et al. .
- 2,709,986 7/1955 Soltan .
- 2,865,326 12/1958 Lowe, Jr. .
- 3,076,433 2/1963 Kofsky et al. .
- 3,209,729 10/1965 Ledaker .
- 3,479,990 11/1969 Crow .
- 3,479,991 11/1969 Lichtenberger .
- 3,581,707 6/1971 Cook .
- 3,618,568 11/1971 Breeden .
- 4,125,175 11/1978 Ernst .
- 4,261,294 4/1981 Bescherer .
- 5,002,012 3/1991 Pierrot 119/28.5
- 5,394,835 3/1995 Gatta 119/170

FOREIGN PATENT DOCUMENTS

3903473 8/1989 Germany 119/706

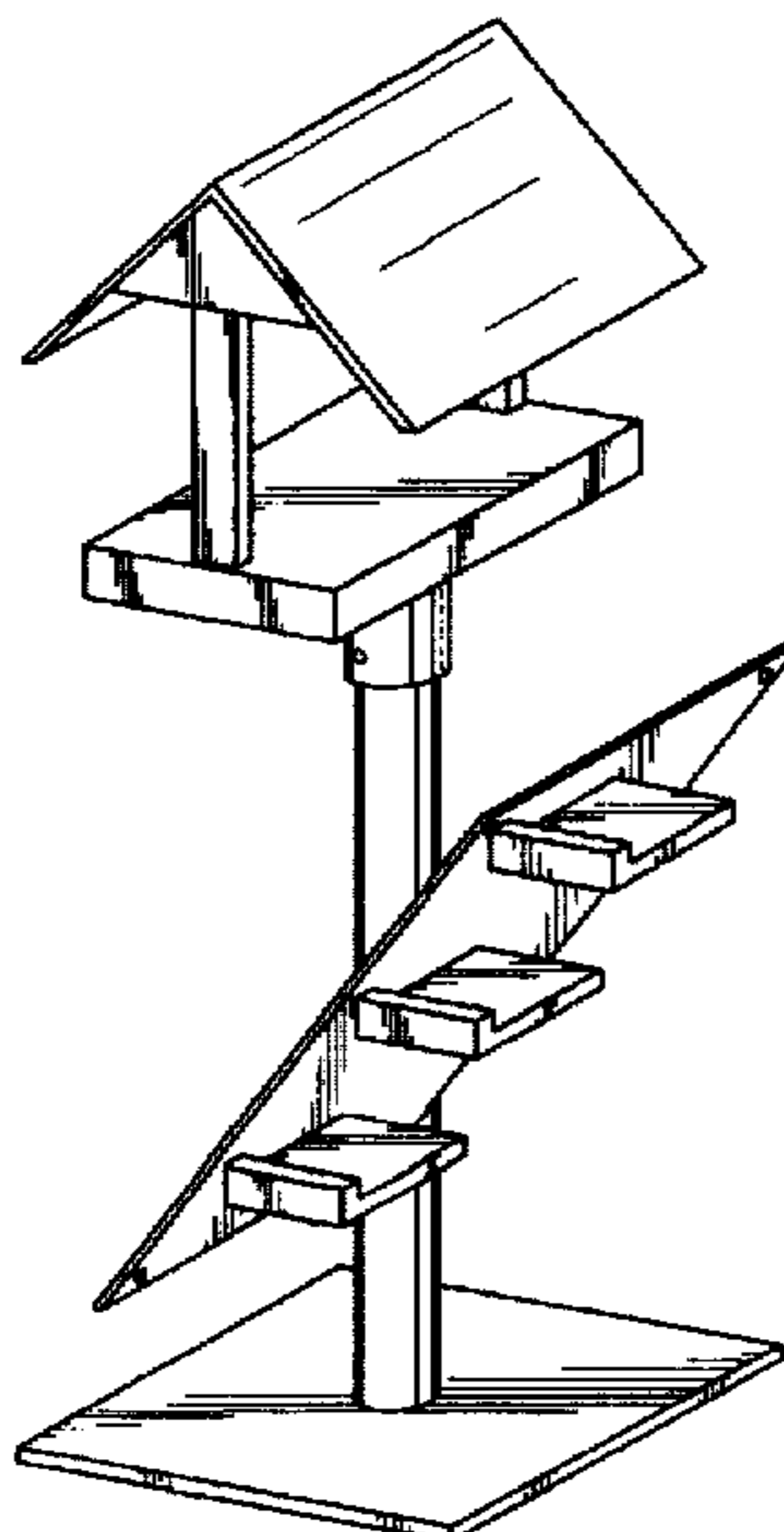
[57] **CLAIM**

The ornamental design for a cat climbing habitat, as shown and described.

DESCRIPTION

FIG. 1 is an exploded perspective view of a cat climbing habitat showing my new design;
FIG. 2 is a right side view of the step portion of FIG. 1;
FIG. 3 is a left side view of FIG. 2;
FIG. 4 is a rear view of FIG. 2;
FIG. 5 is a front view of FIG. 2;
FIG. 6 is a top view of FIG. 2;
FIG. 7 is a bottom view of FIG. 2;
FIG. 8 is a right side view of the A-frame portion of FIG. 1, the left side view is a mirror image;
FIG. 9 is a front view of FIG. 8, the rear view is a mirror image;
FIG. 10 is a top view of FIG. 8;
FIG. 11 is a bottom view of FIG. 8; and,
FIG. 12 is a perspective view of an assembled cat climbing habitat.

1 Claim, 7 Drawing Sheets



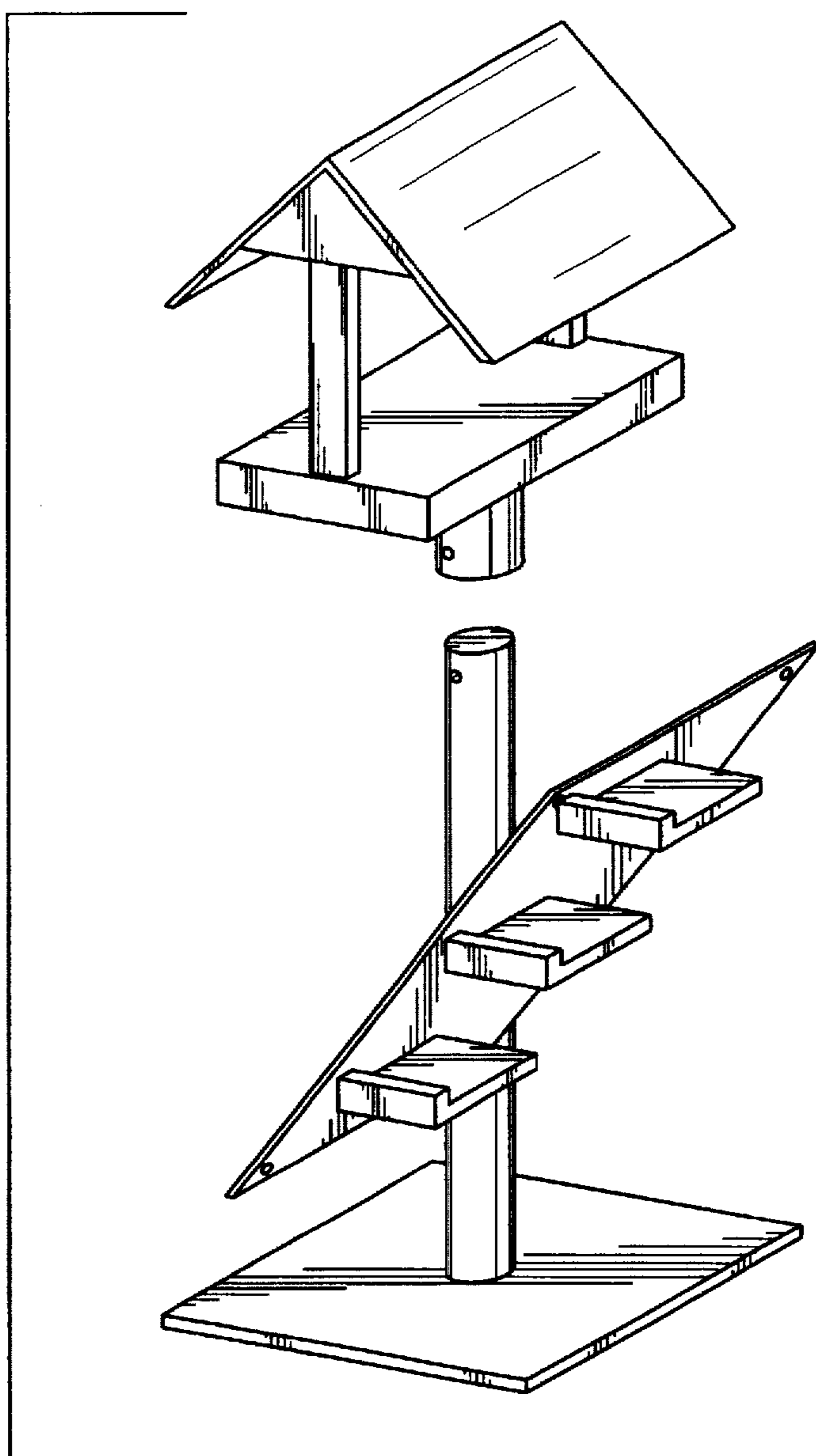


FIG. 1

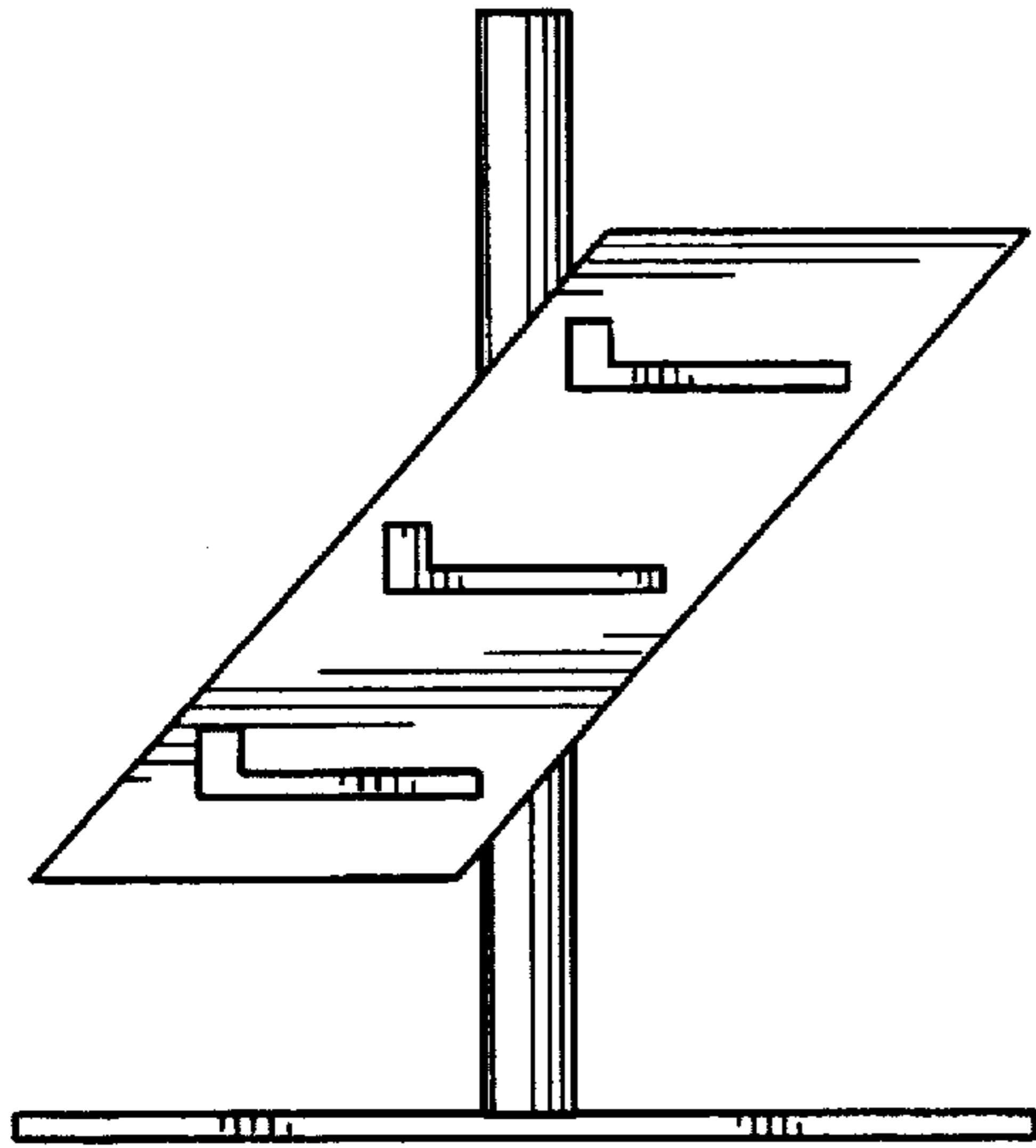


FIG. 2

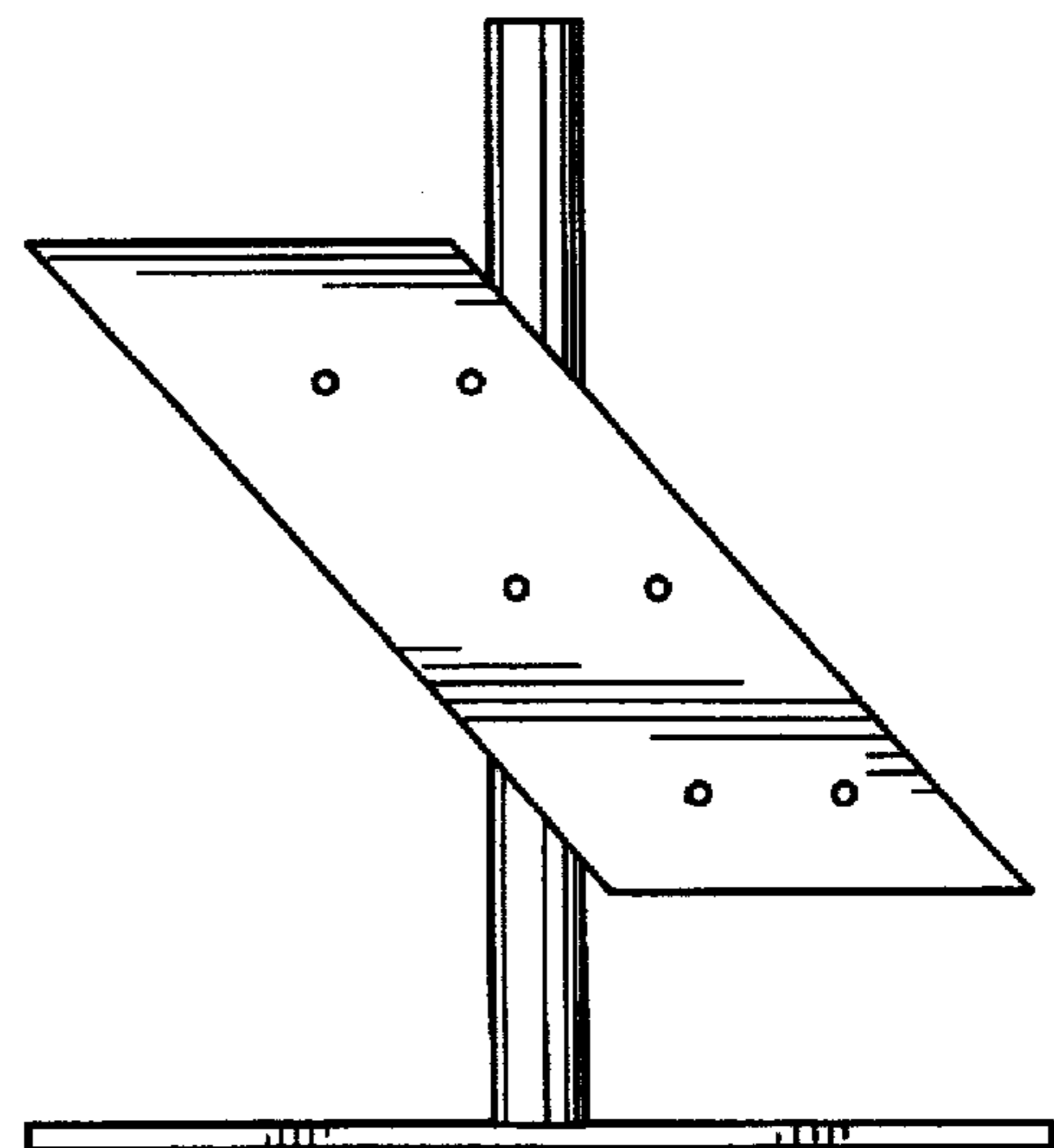


FIG. 3

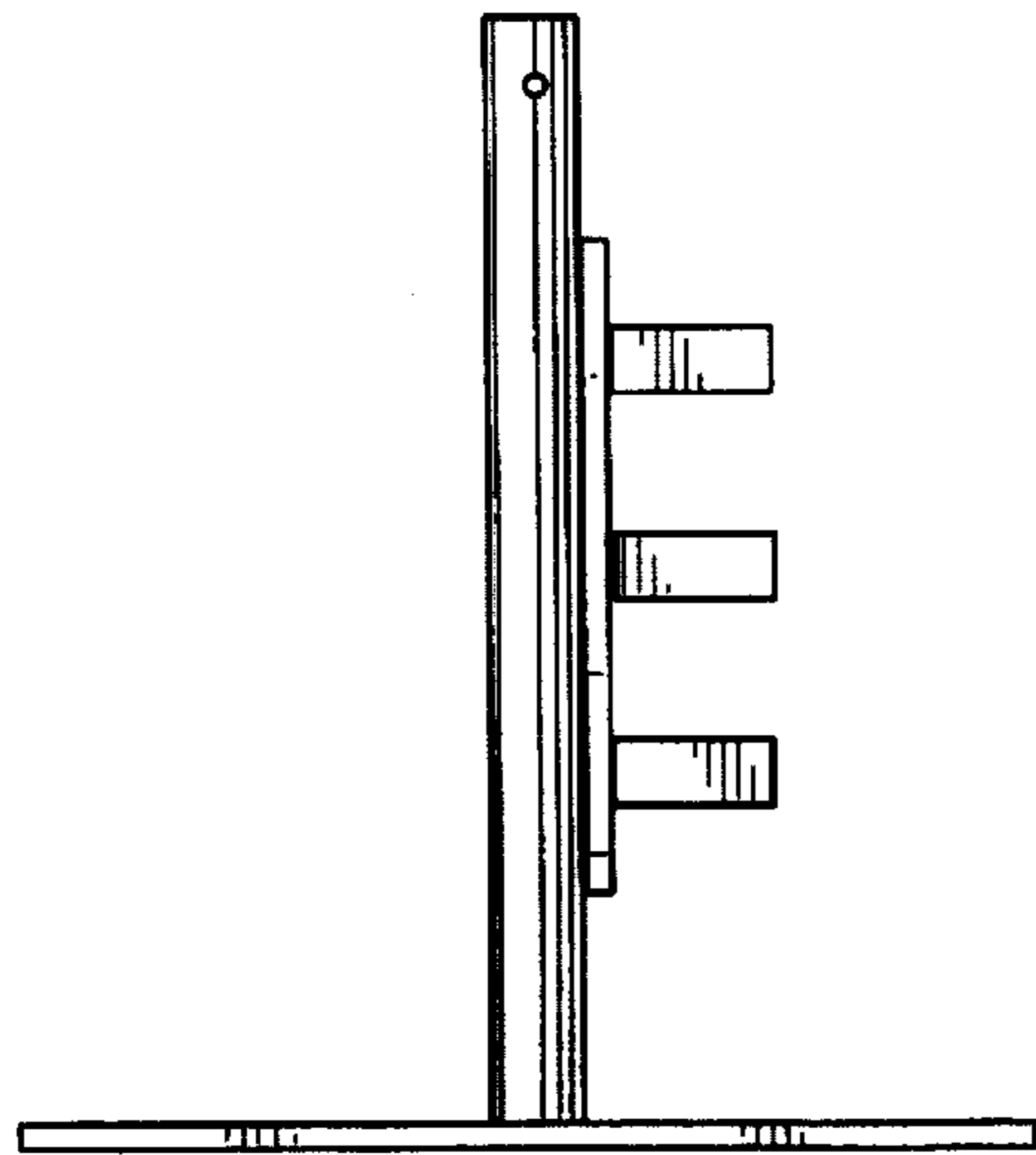
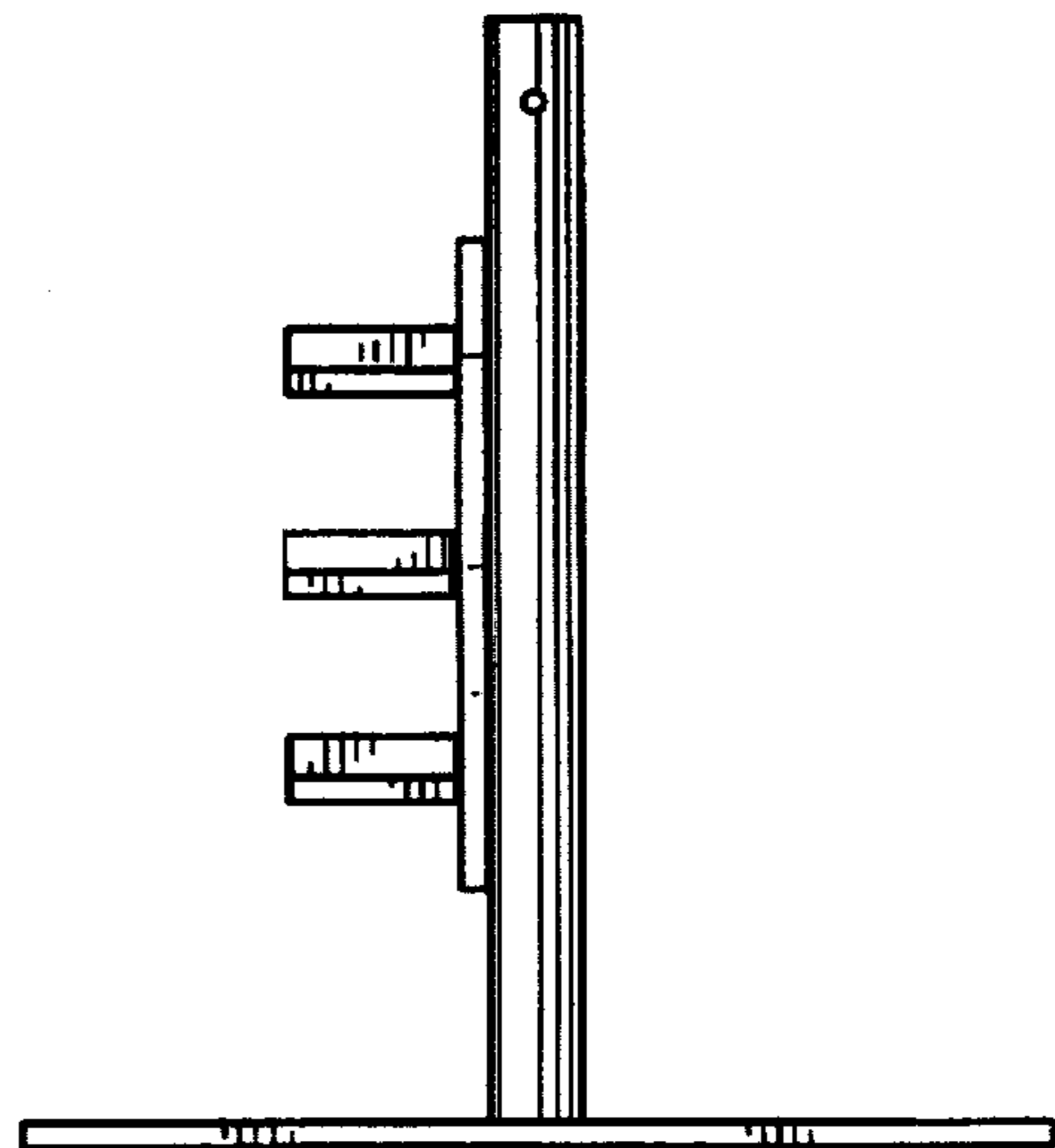


FIG. 4

FIG. 5



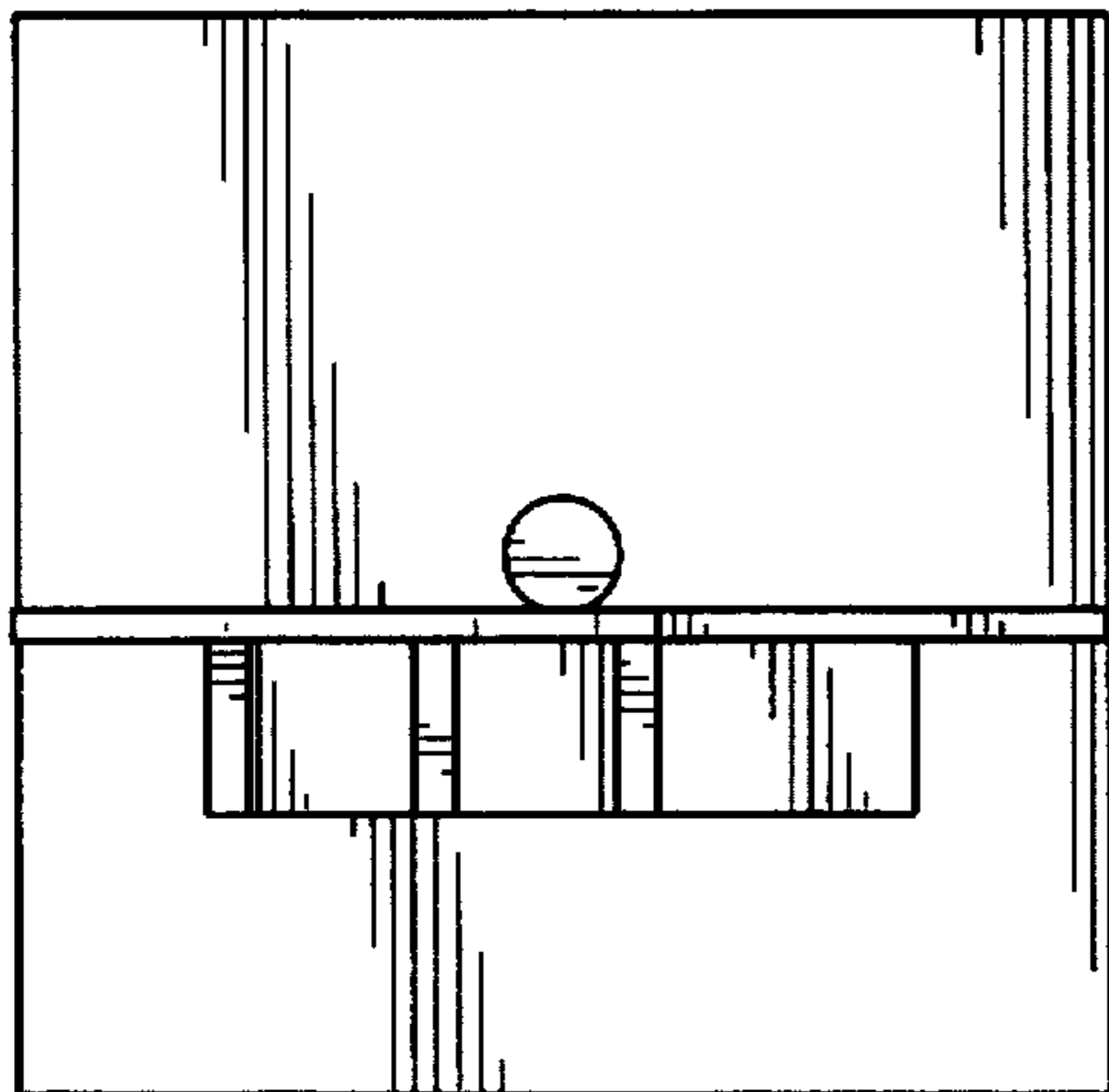


FIG. 6

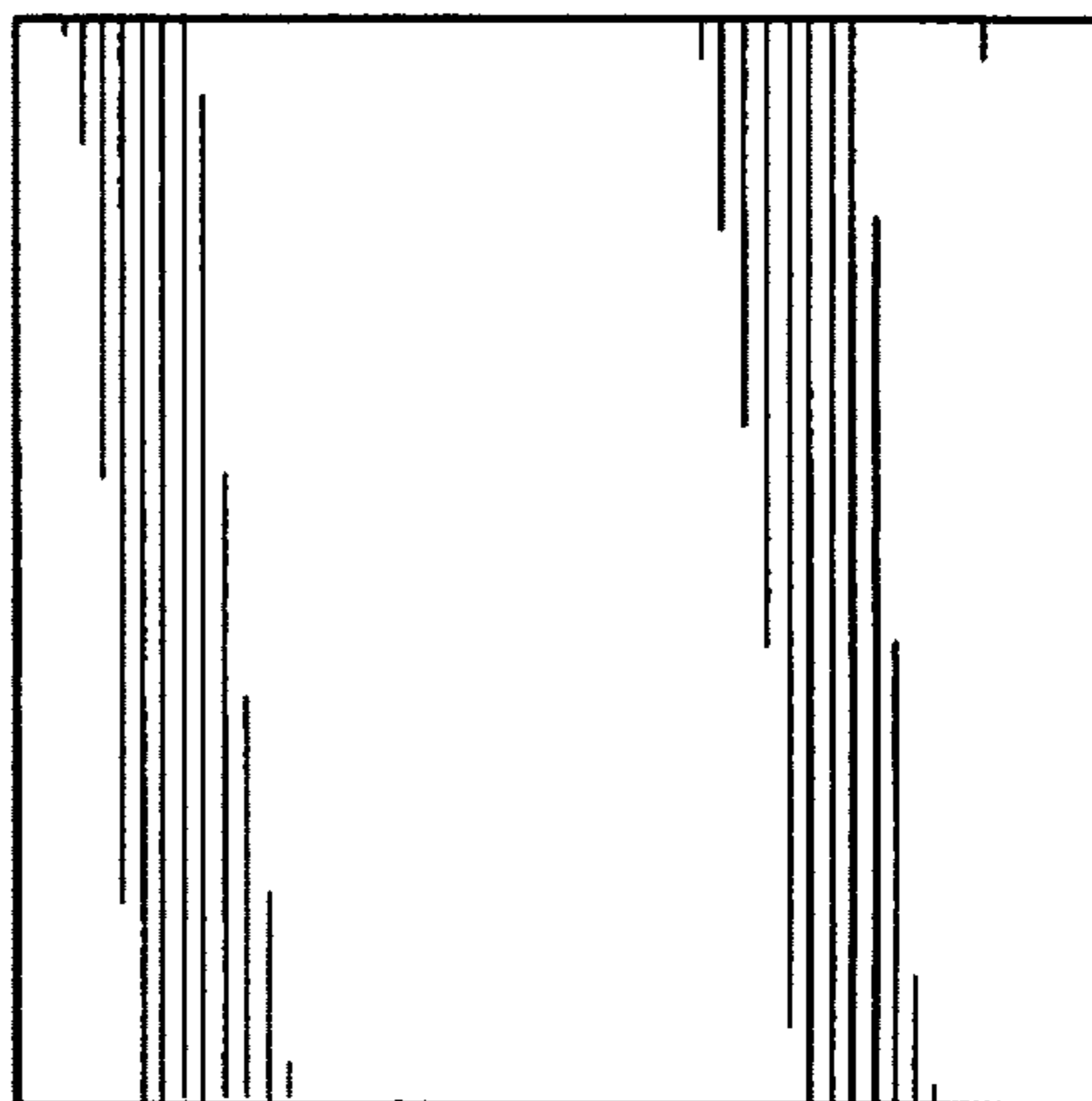


FIG. 7

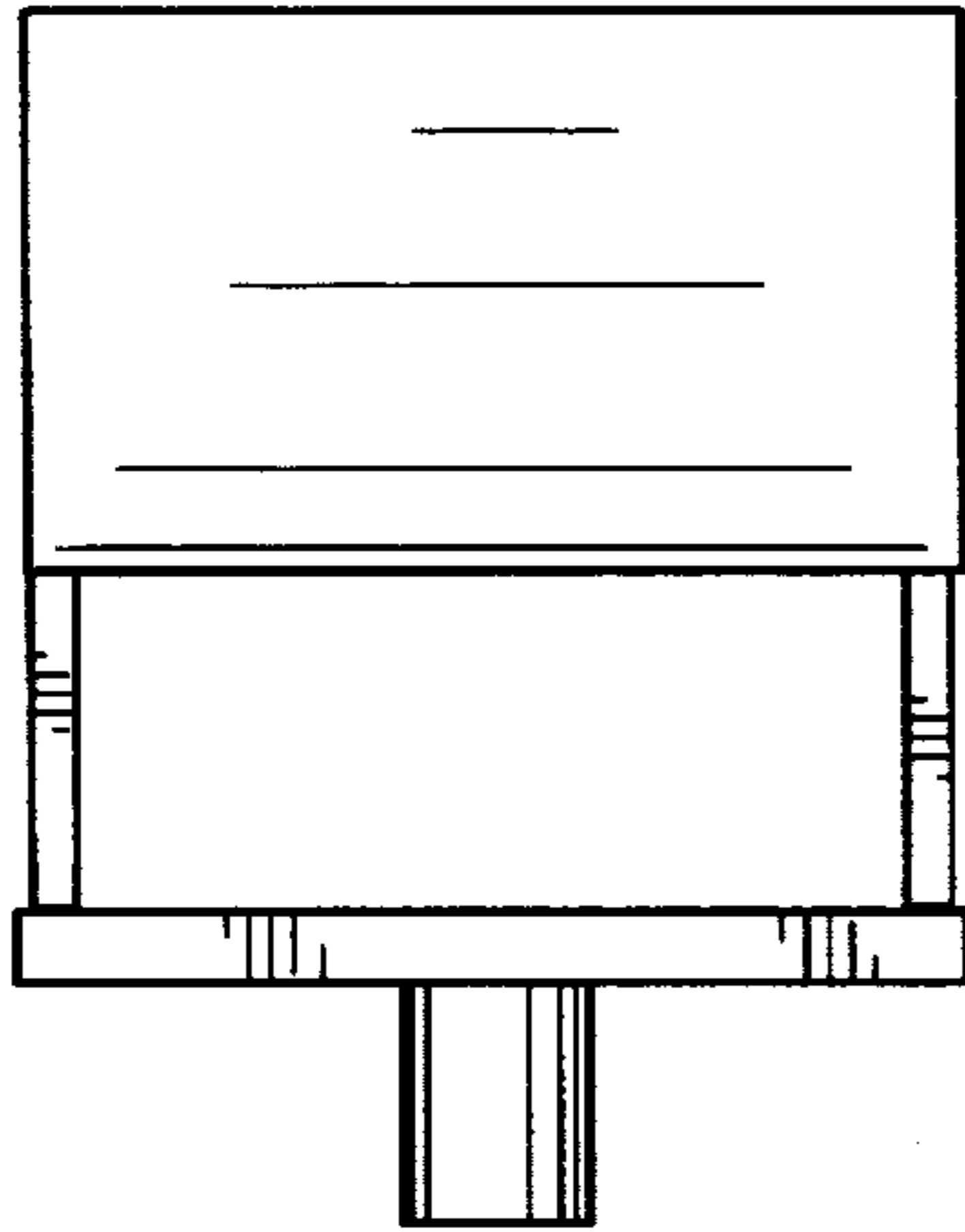
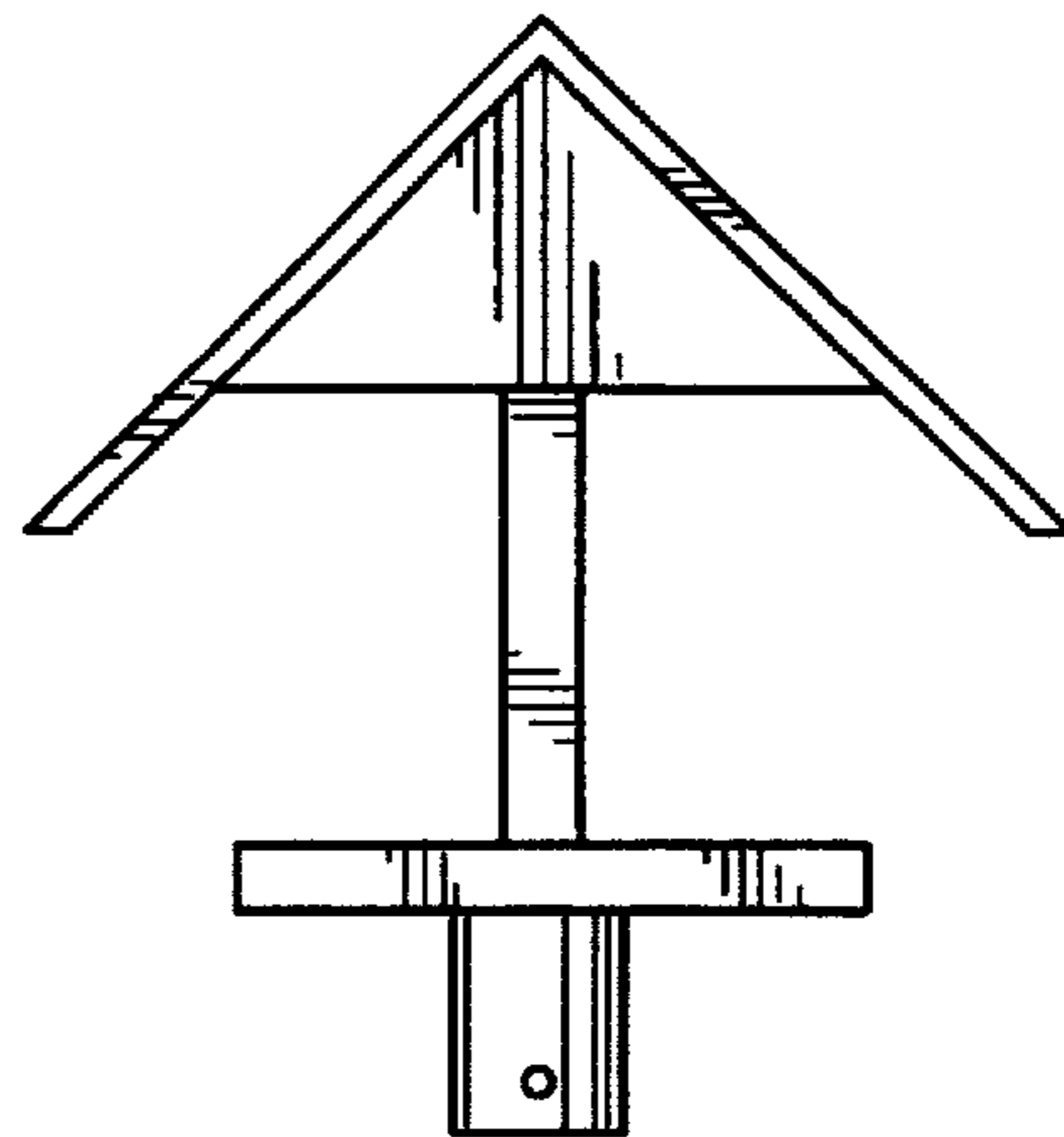


FIG. 8

FIG. 9



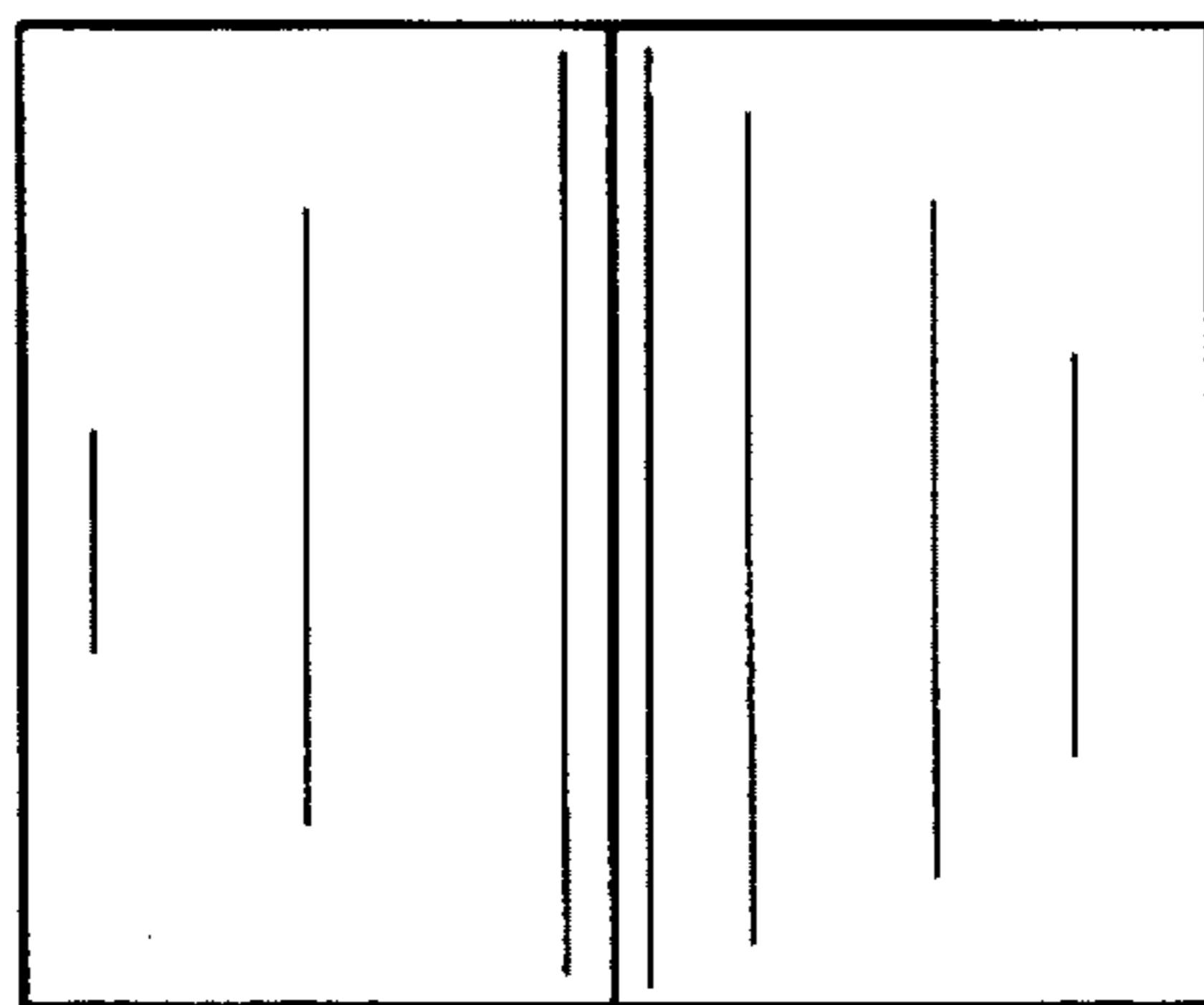


FIG. 10

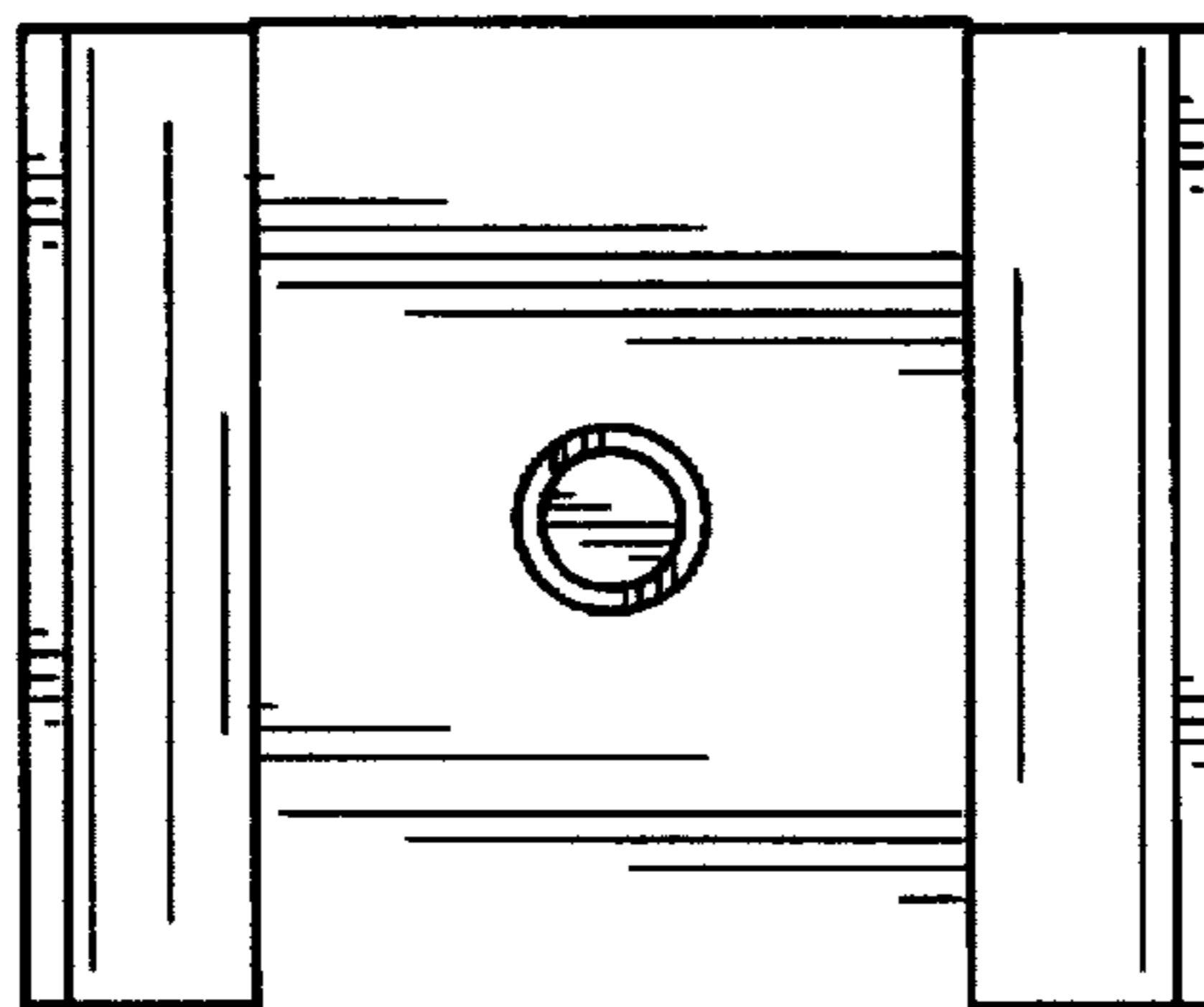


FIG. 11

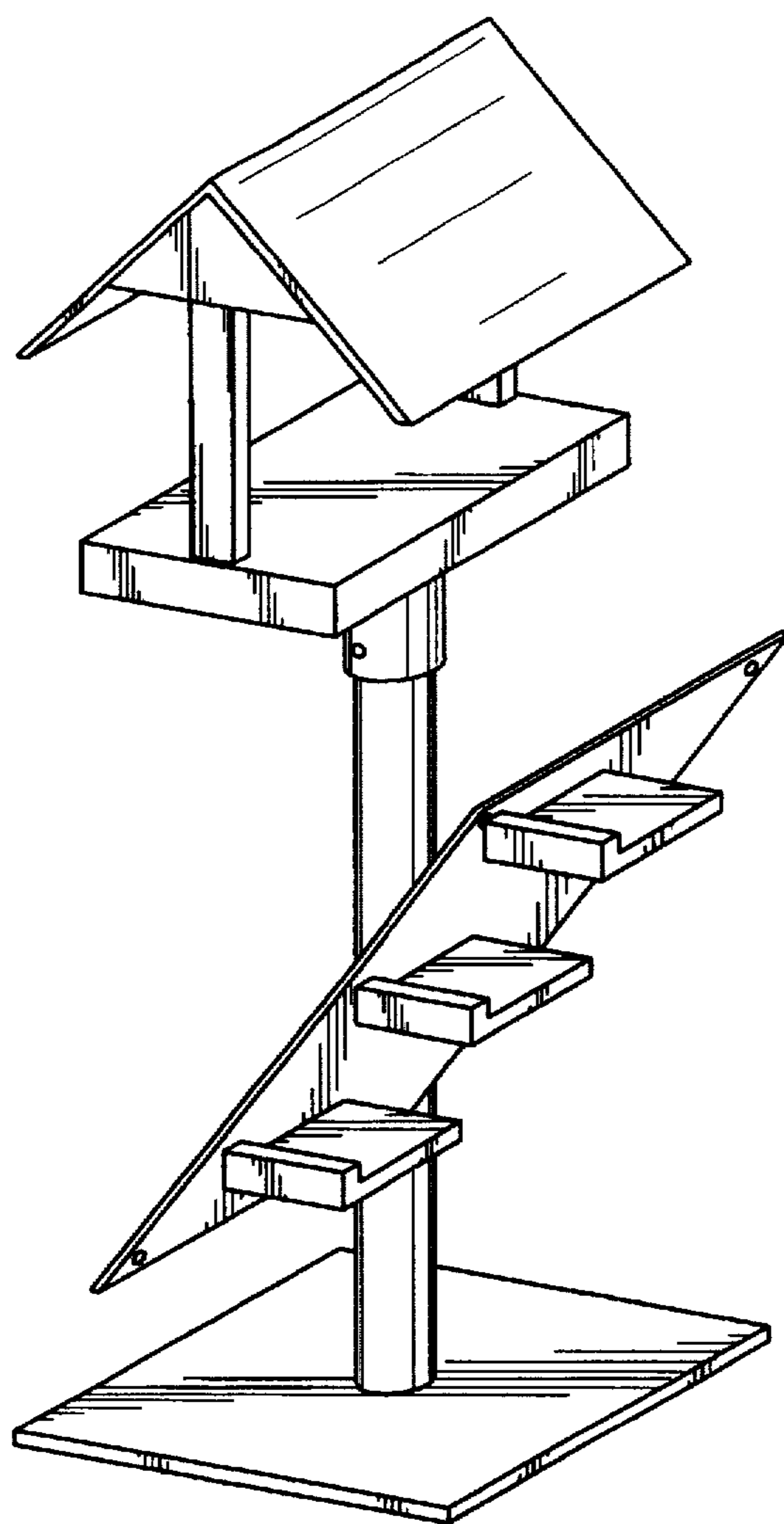


FIG. 12