



US00D397828S

United States Patent [19] Kip

[11] Patent Number: Des. 397,828

[45] Date of Patent: **Sep. 1, 1998

[54] STEAM HAIR CURLING SET

4,771,797 9/1988 Kosaka 132/272

[75] Inventor: **Albart Johannes Kip**, Groningen, Netherlands

Primary Examiner—Ted Shooman
Assistant Examiner—C. Tuttle
Attorney, Agent, or Firm—Ernestine C. Bartlett

[73] Assignee: **U.S. Philips Corporation**, New York, N.Y.

[57] CLAIM

[**] Term: **14 Years**

The ornamental design for a steam hair curling set, as shown and described.

[21] Appl. No.: **53,252**

DESCRIPTION

[22] Filed: **Apr. 18, 1996**

[30] Foreign Application Priority Data

Jan. 12, 1996 [XH] Hague Agreement DMA/003166

[51] LOC (6) CL 28-03

[52] U.S. Cl. D28/38

[58] Field of Search D28/9, 37, 38, D28/73; 132/227-229, 233, 234, 250, 264, 272; 219/222, 242

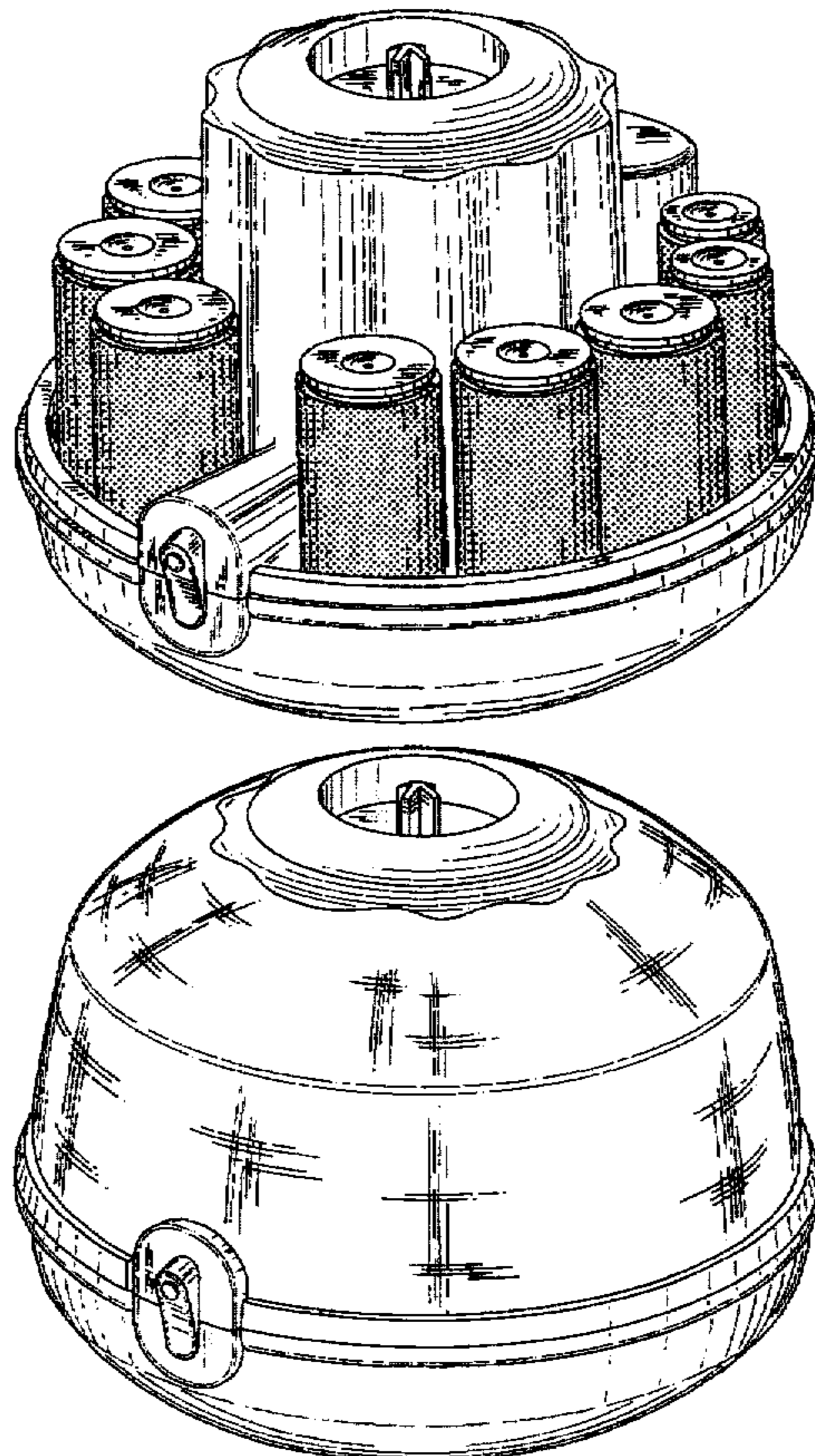
FIG. 1 is a front, top, right side, perspective view showing my new design with the cover element removed for completeness of disclosure;
FIG. 2 is a front elevational view thereof;
FIG. 3 is a rear elevational view thereof;
FIG. 4 is a right side elevational view thereof;
FIG. 5 is a left side elevational view thereof;
FIG. 6 is a top plan view thereof;
FIG. 7 is a perspective view showing my new design with the protective cover in place;
FIG. 8 is a perspective view showing my new design with the parts separated;
FIG. 9 is a front elevational view of the cover element, shown separated from the base for clarity;
FIG. 10 is a rear elevational view thereof;
FIG. 11 is right side elevational view thereof;
FIG. 12 is a left side elevational view thereof;
FIG. 13 is a top plan view thereof; and,
FIG. 14 is a bottom plan view thereof.

[56] References Cited

U.S. PATENT DOCUMENTS

D. 215,258	9/1969	Daher	D28/38
D. 221,116	7/1971	Talge et al.	D28/38
D. 362,922	10/1995	Prince et al.	D28/38
3,473,005	10/1969	Grandinetti	219/292
3,495,583	2/1970	Katzman et al.	219/222 X
3,658,071	4/1972	Wise	219/222 X
3,735,091	5/1973	Baker	219/222

1 Claim, 12 Drawing Sheets



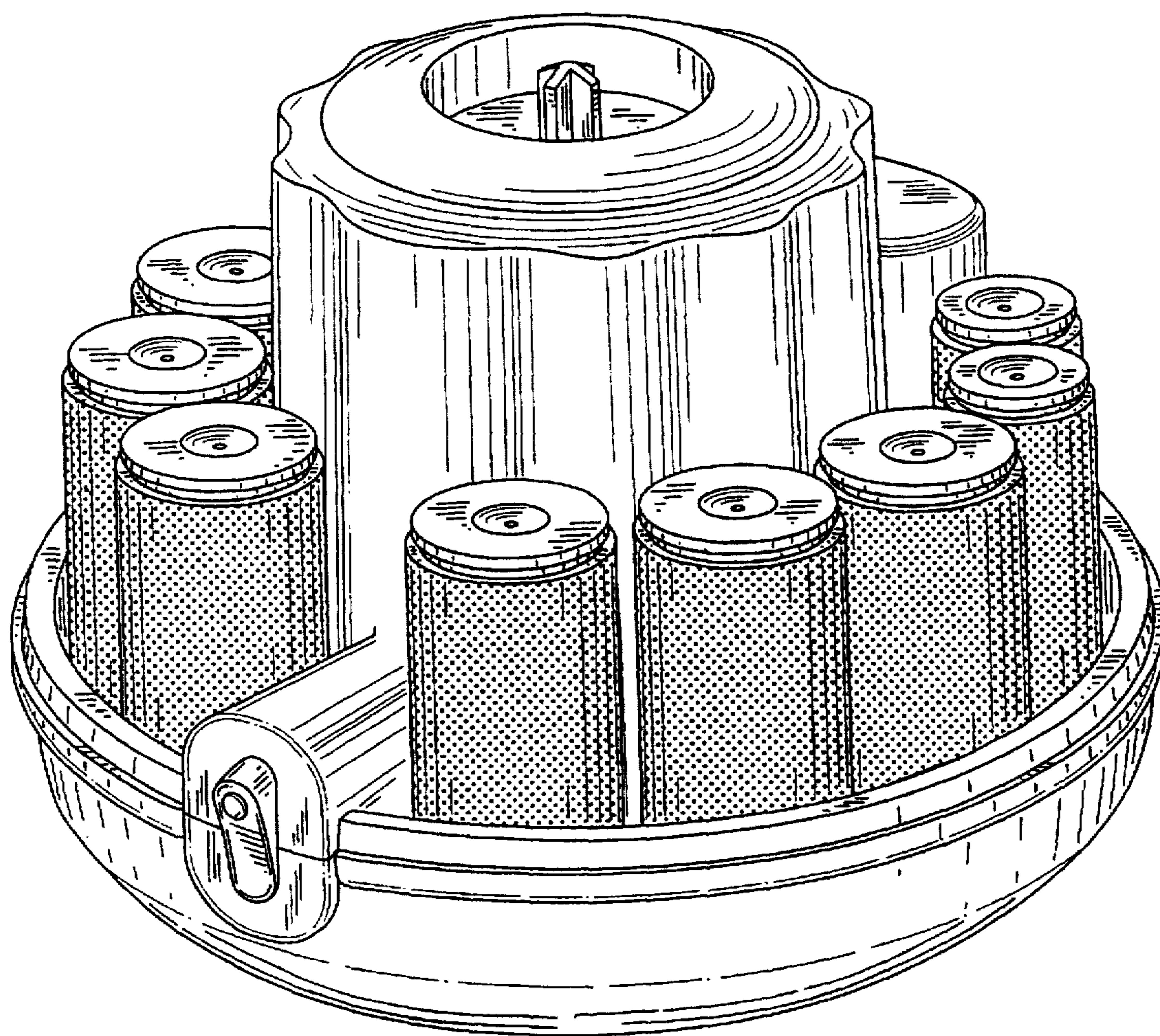


FIG. 1

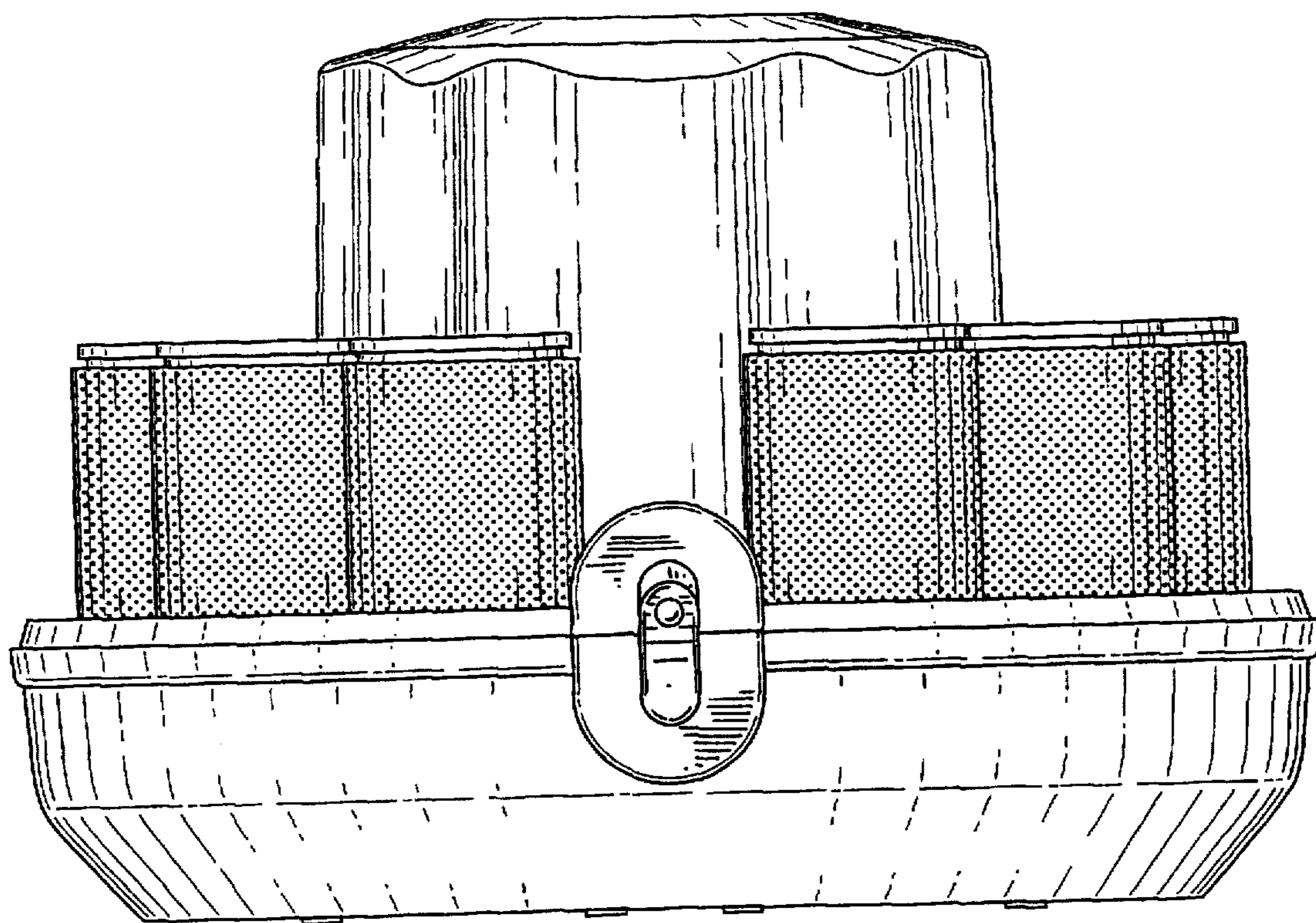


FIG. 2

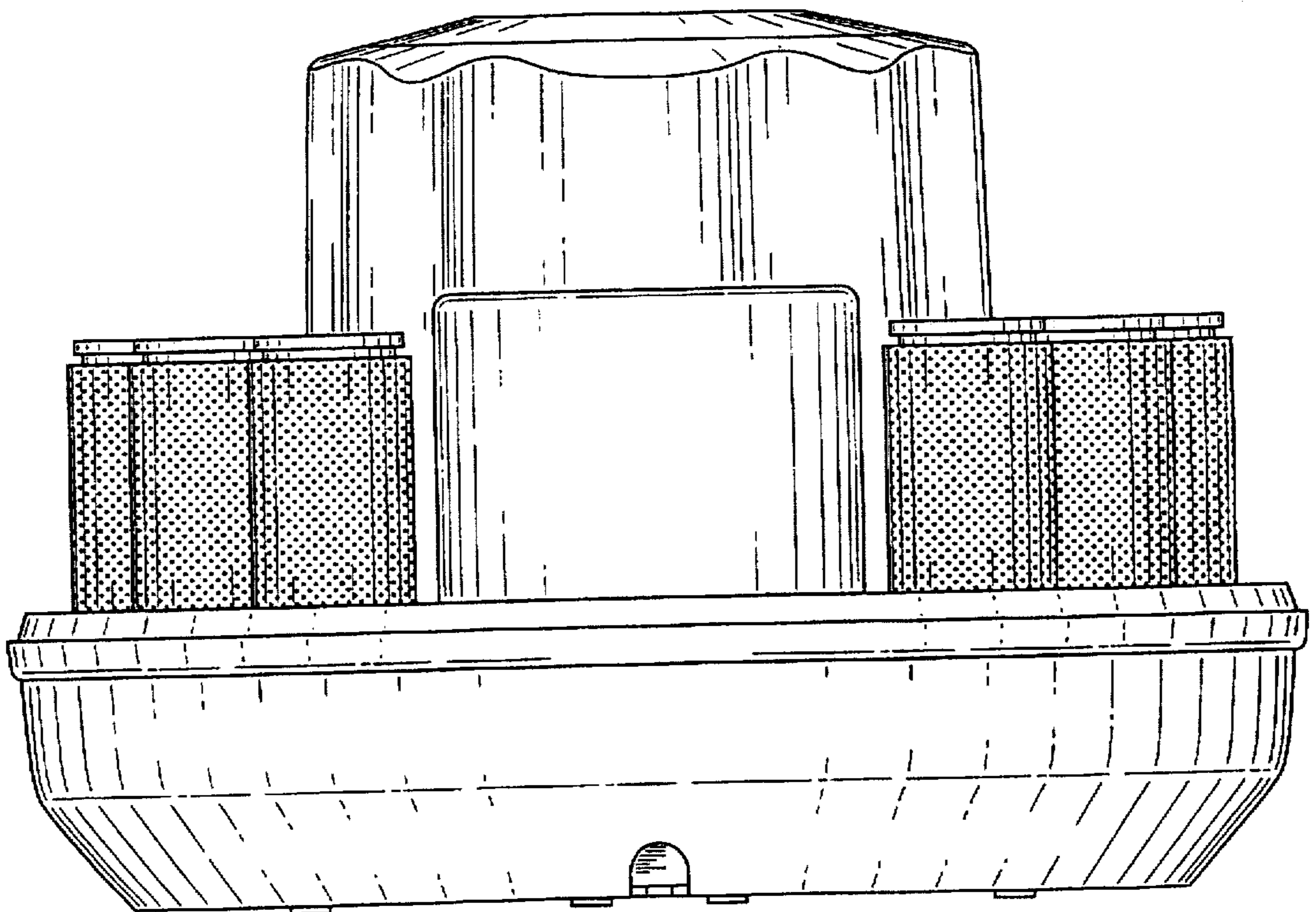


FIG. 3

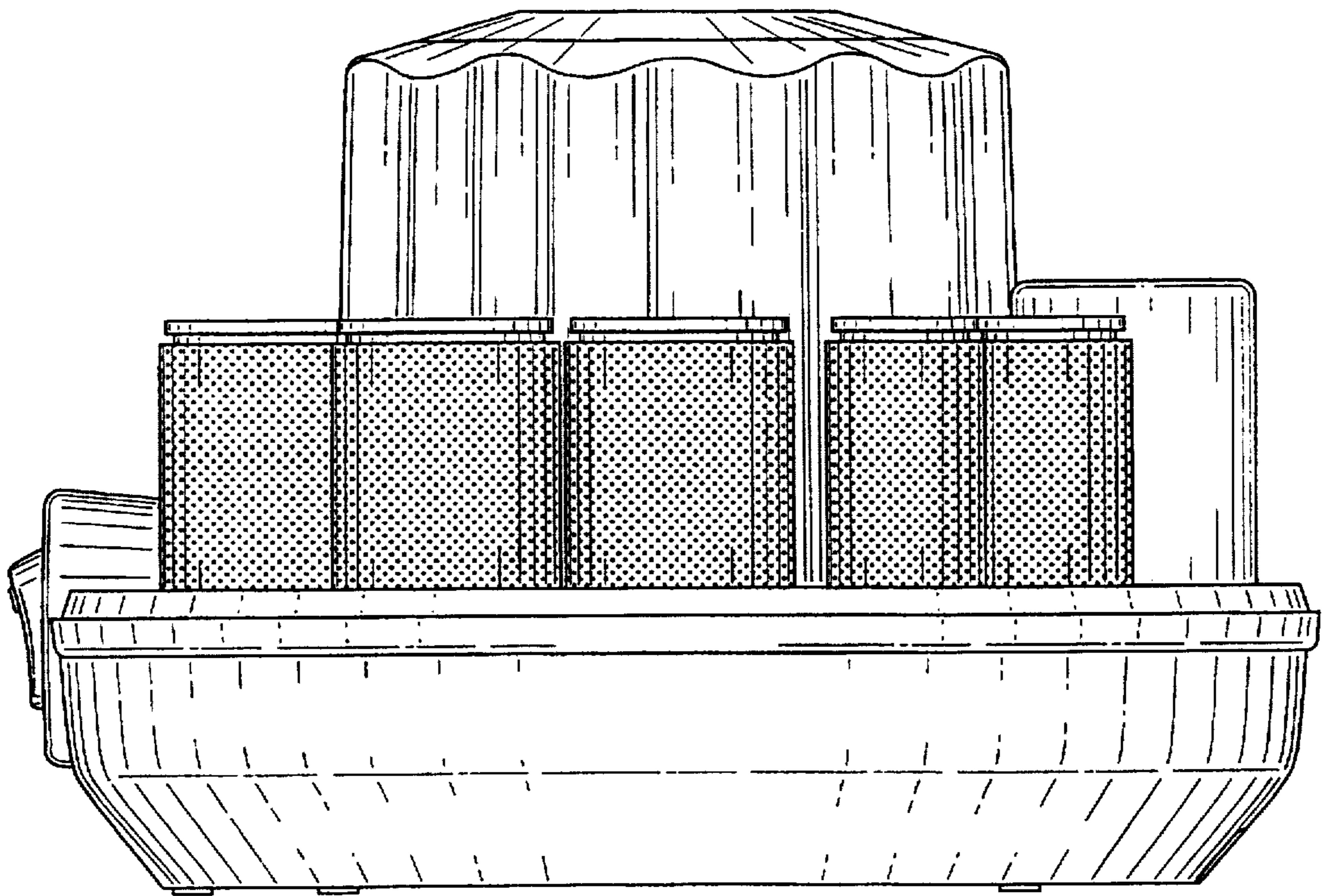


FIG. 4

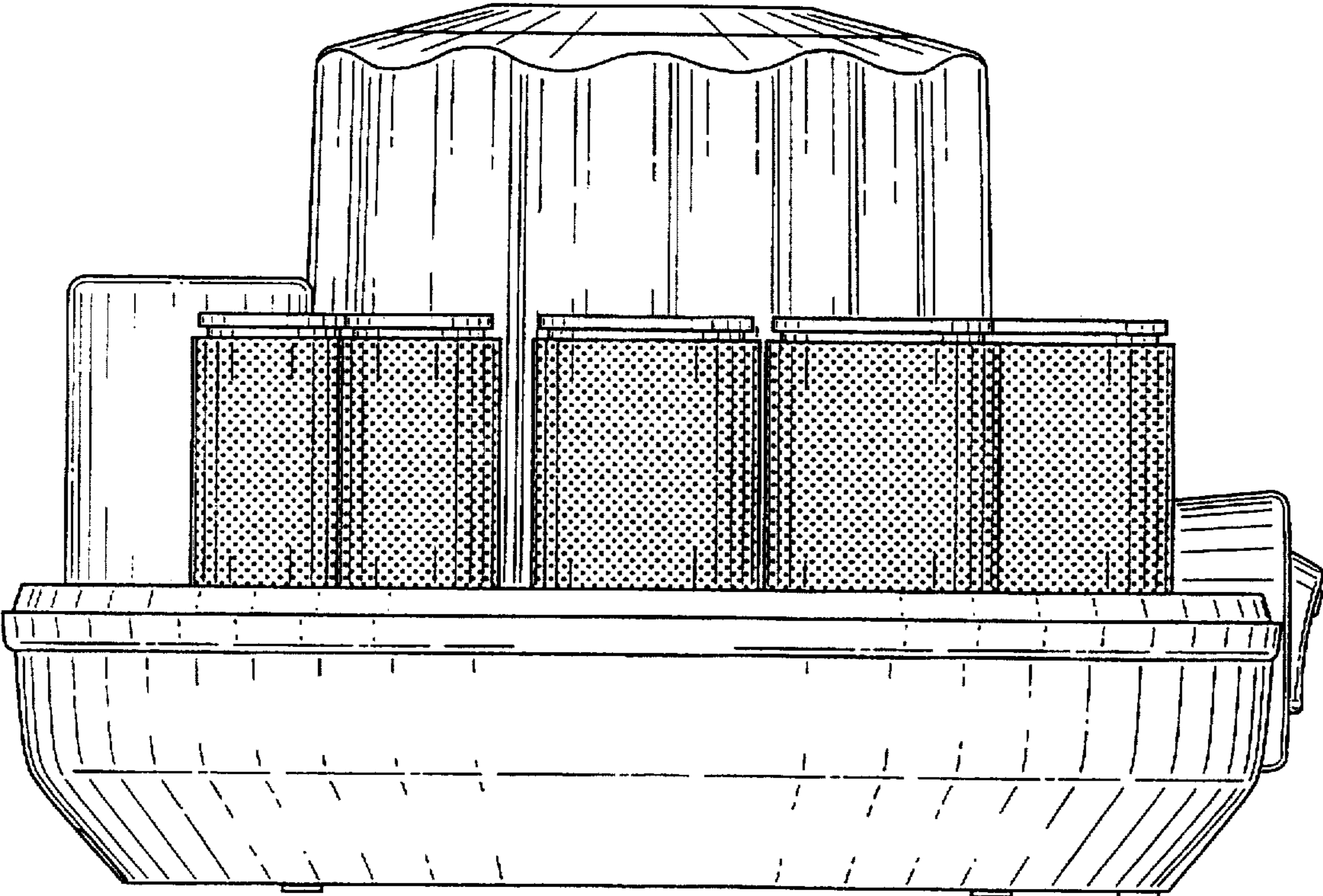


FIG. 5

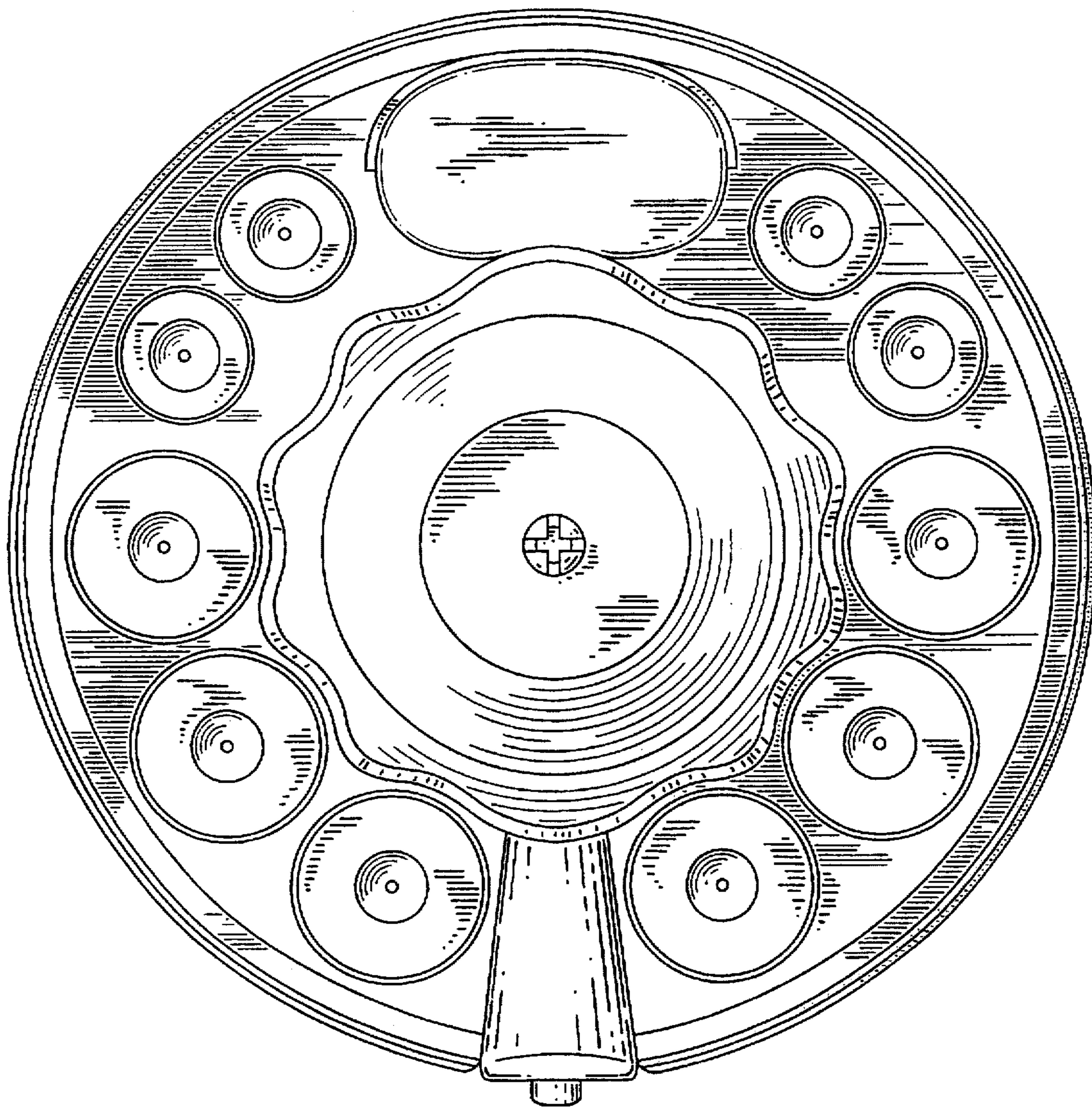


FIG. 6

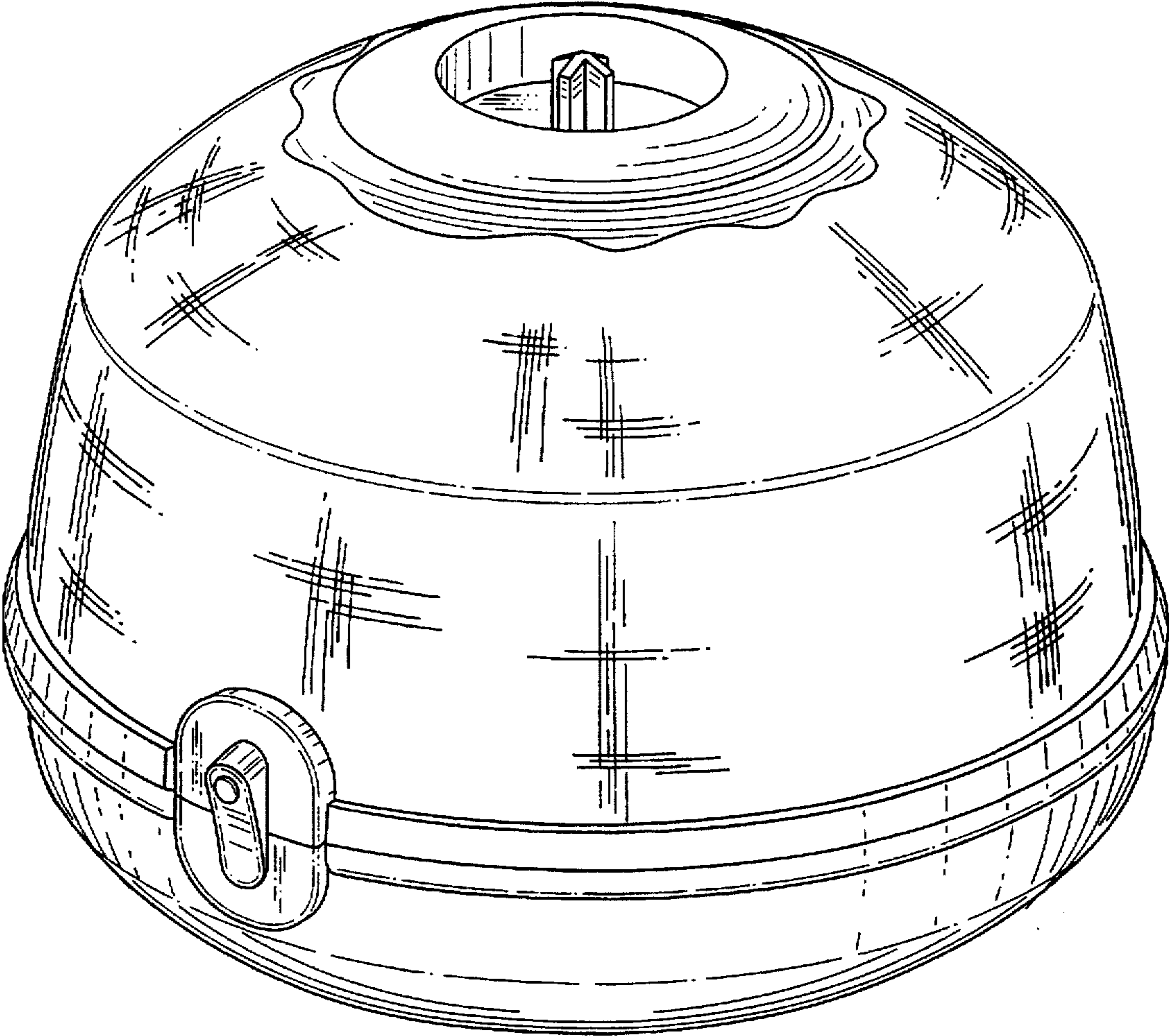


FIG. 7

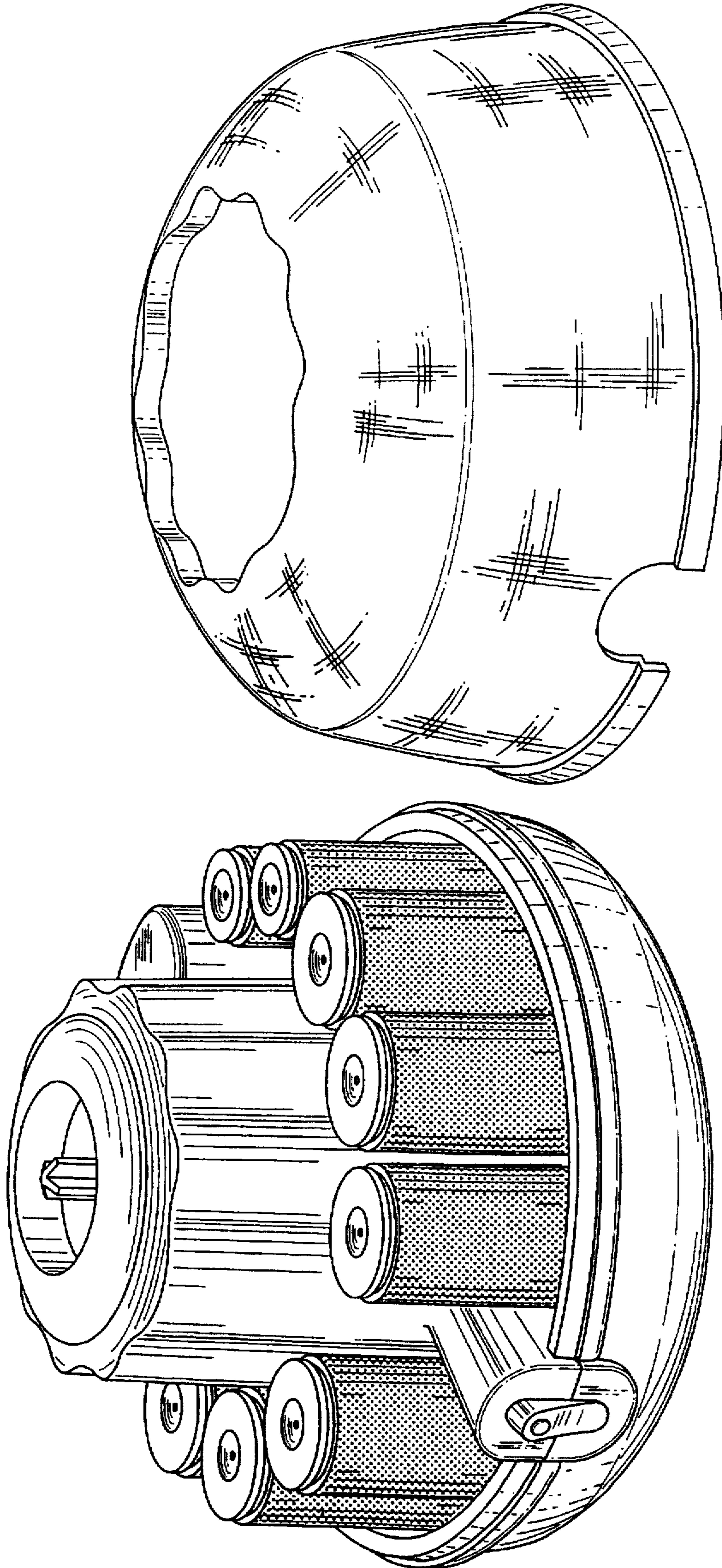


FIG. 8

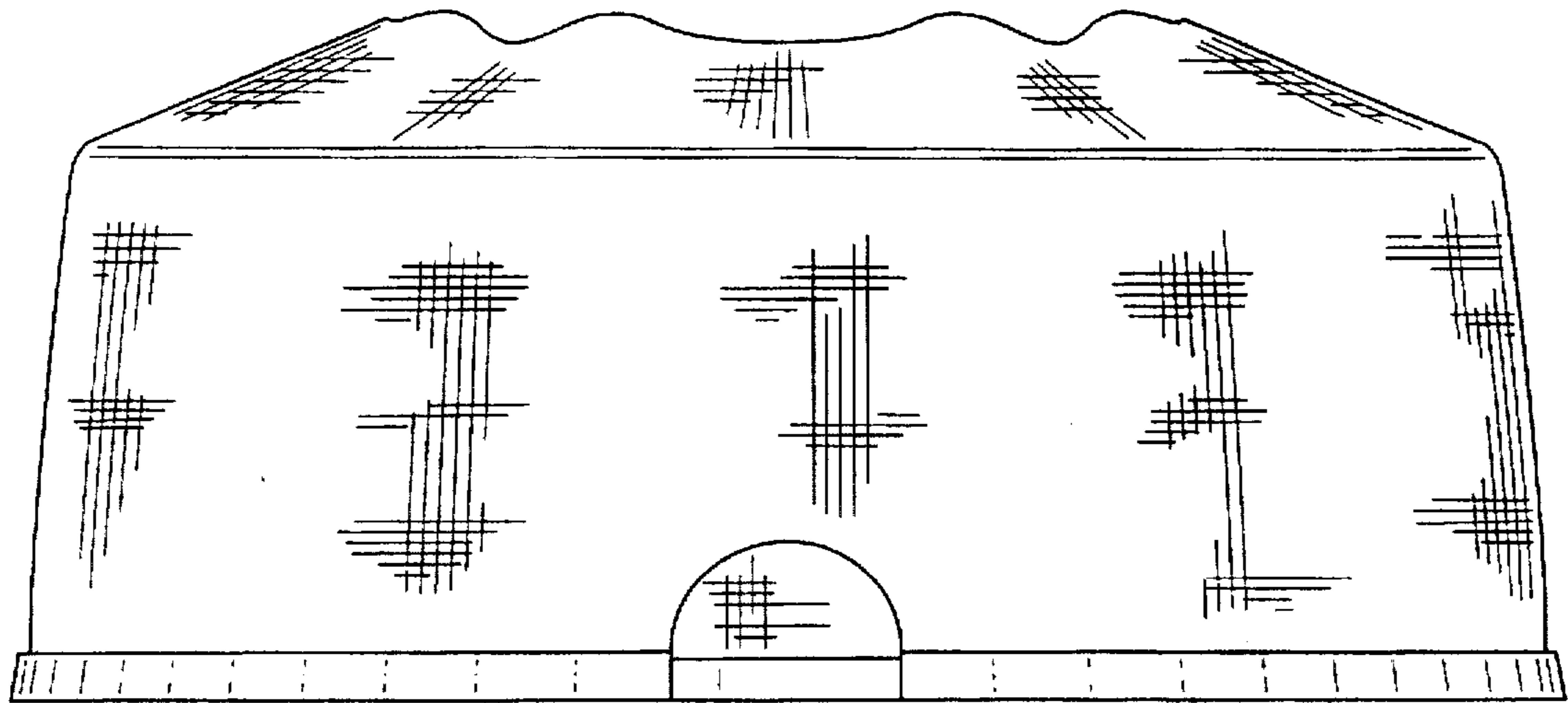


FIG. 9

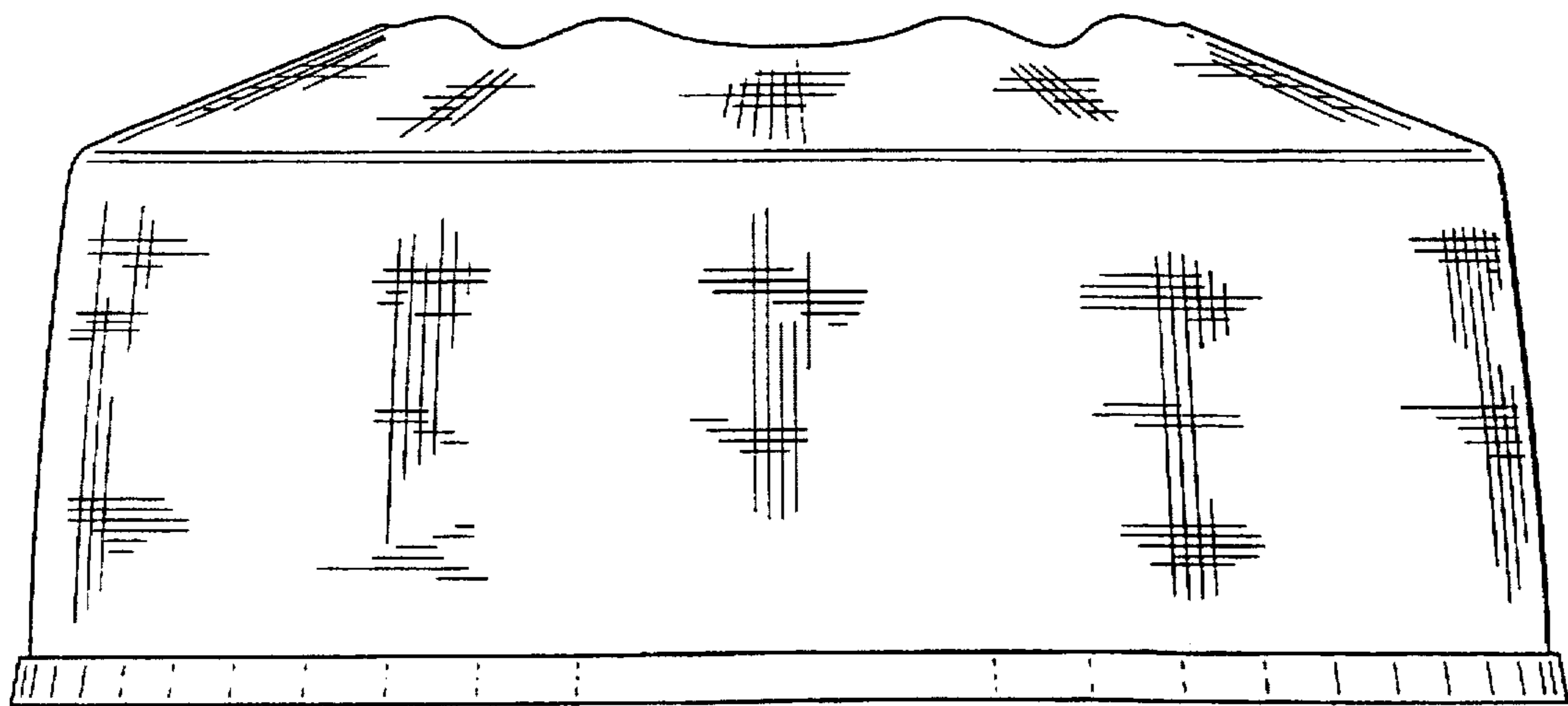


FIG. 10

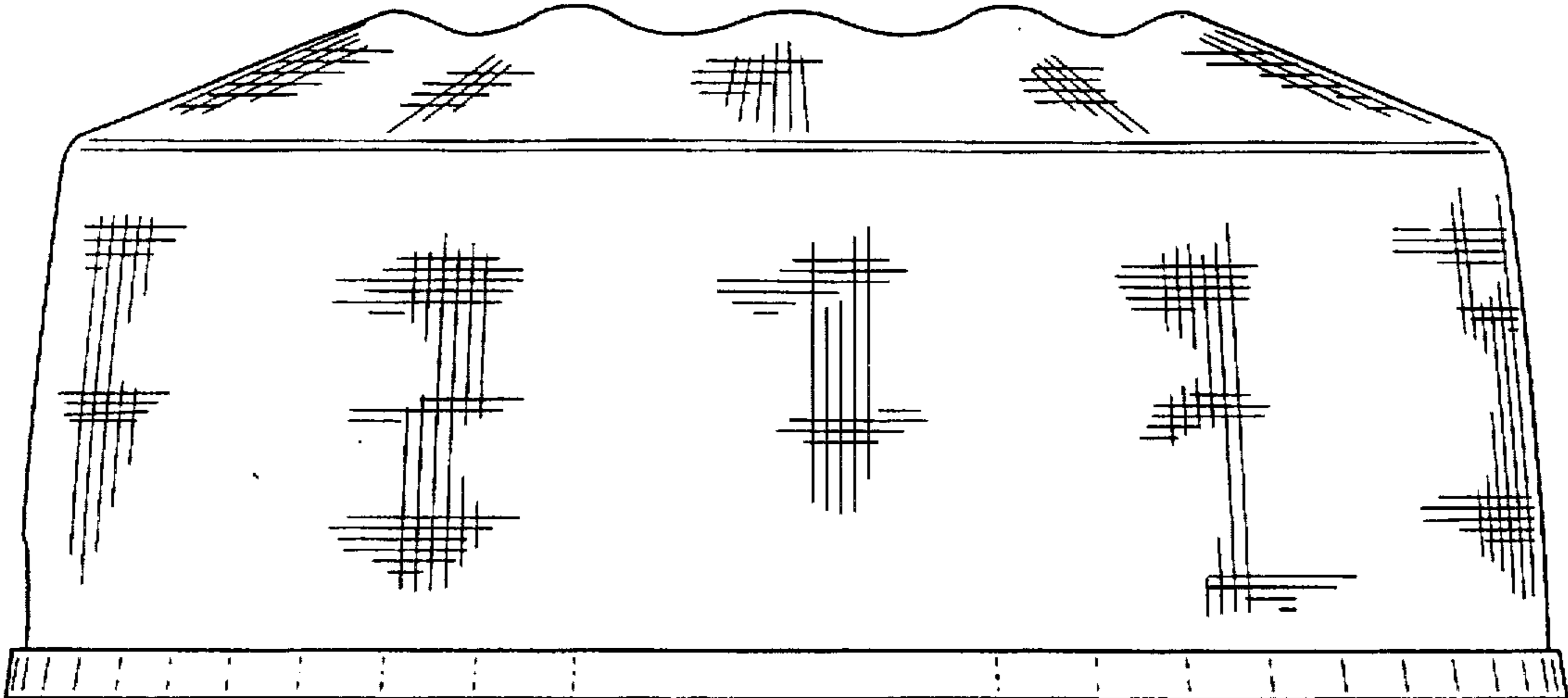


FIG. 11

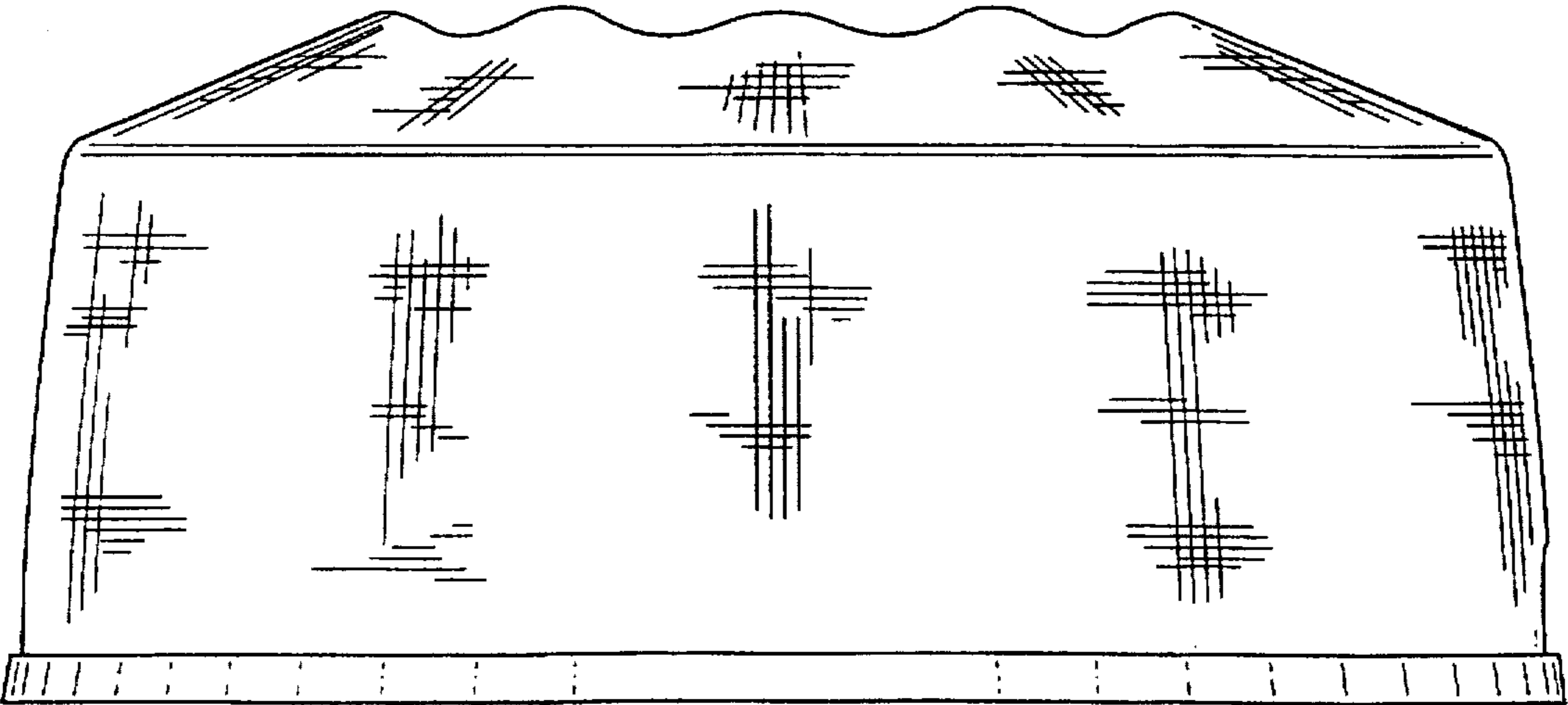


FIG. 12

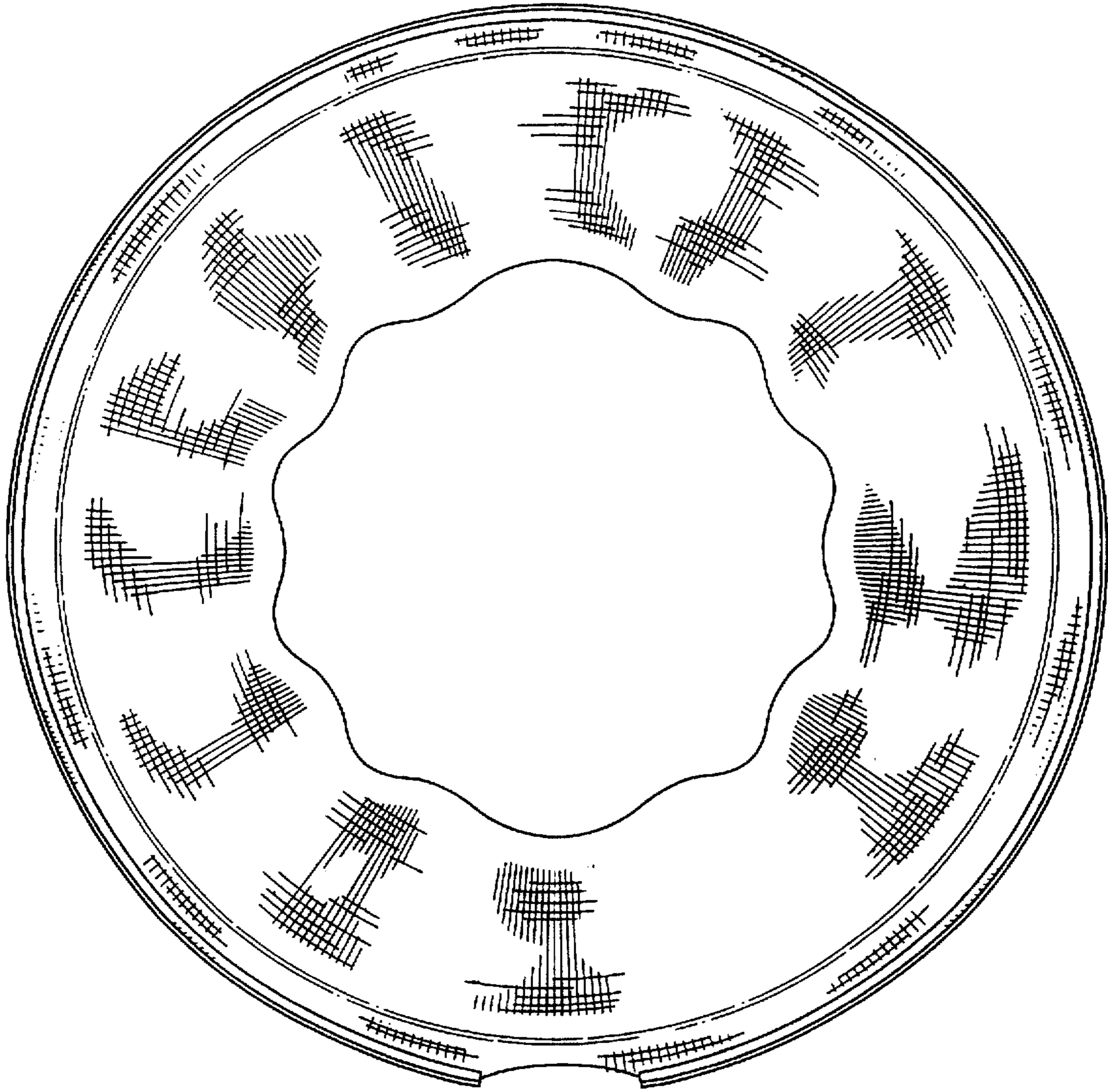


FIG. 13

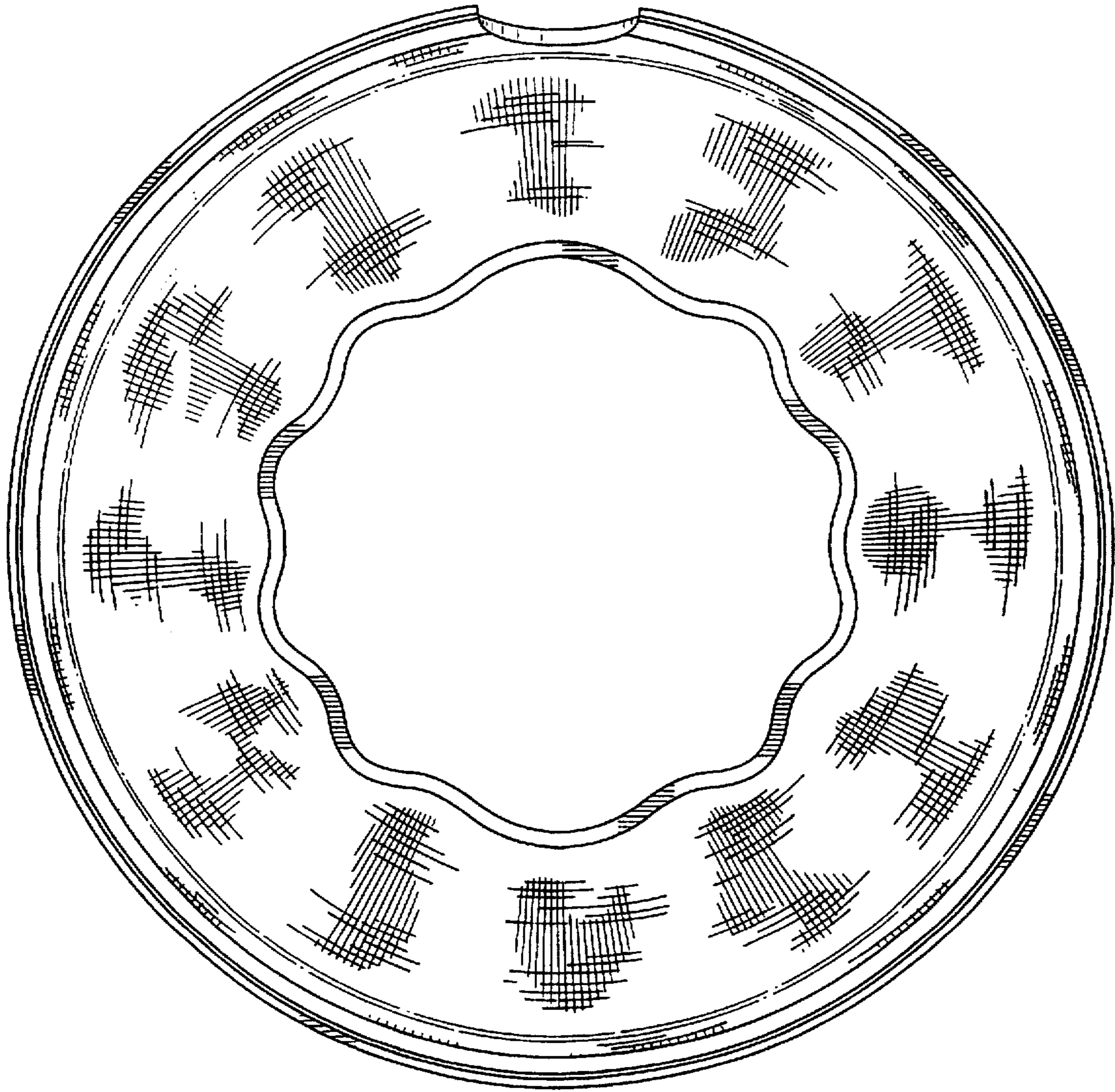


FIG. 14