



US00D397826S

United States Patent [19]
McDiarmid

[11] **Patent Number:** **Des. 397,826**
[45] **Date of Patent:** ****Sep. 1, 1998**

[54] **HUMIDOR**

[75] **Inventor:** **Ronald D. McDiarmid**, La Habra Heights, Calif.

[73] **Assignee:** **Gruga U.S.A.**, Industry, Calif.

[**] **Term:** **14 Years**

[21] **Appl. No.:** **77,036**

[22] **Filed:** **Sep. 24, 1997**

[51] **LOC (6) Cl.** **27-06**

[52] **U.S. Cl.** **D27/189; D19/81**

[58] **Field of Search** **D3/206; D19/77, D19/81, 83, 85; 131/329, 187; D27/183, 186-194, 172; 206/213.1, 242, 256, 269, 265, 268, 249, 261; 229/909; 220/326; 312/31.1, 31.04; 217/3 BC, 5, 56**

[56] **References Cited**

U.S. PATENT DOCUMENTS

D. 258,469 3/1981 Lee D19/18
1,631,048 5/1927 Miller 206/265

2,281,617 5/1942 Ramsdell 312/73

Primary Examiner—Susan J. Lucas
Assistant Examiner—Jennifer Rivard
Attorney, Agent, or Firm—Sheppard, Mullin, Richter & Hampton; James R. Brueggemann

[57] **CLAIM**

The ornamental design for a humidor, as shown and described.

DESCRIPTION

FIG. 1 is a front, right isometric view of a humidor embodying my new design, shown in its closed position;
FIG. 2 is a top plan view thereof;
FIG. 3 is a front elevational view thereof;
FIG. 4 is a right side elevational view thereof, which is a mirror image of the left side elevational view thereof;
FIG. 5 is a rear elevational view thereof;
FIG. 6 is a bottom plan view thereof; and,
FIG. 7 is a front, right isometric view thereof, shown in its open position.

1 Claim, 5 Drawing Sheets

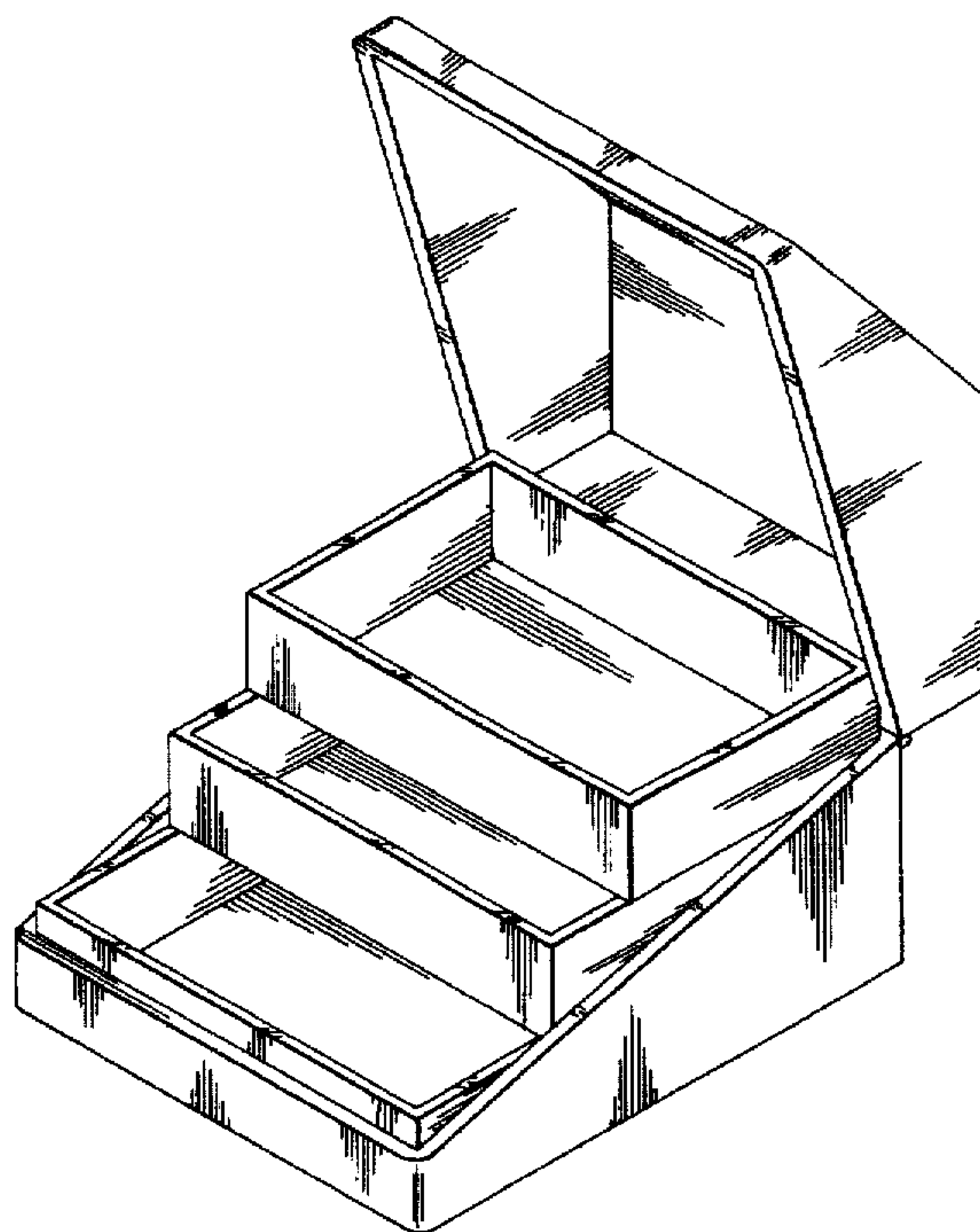
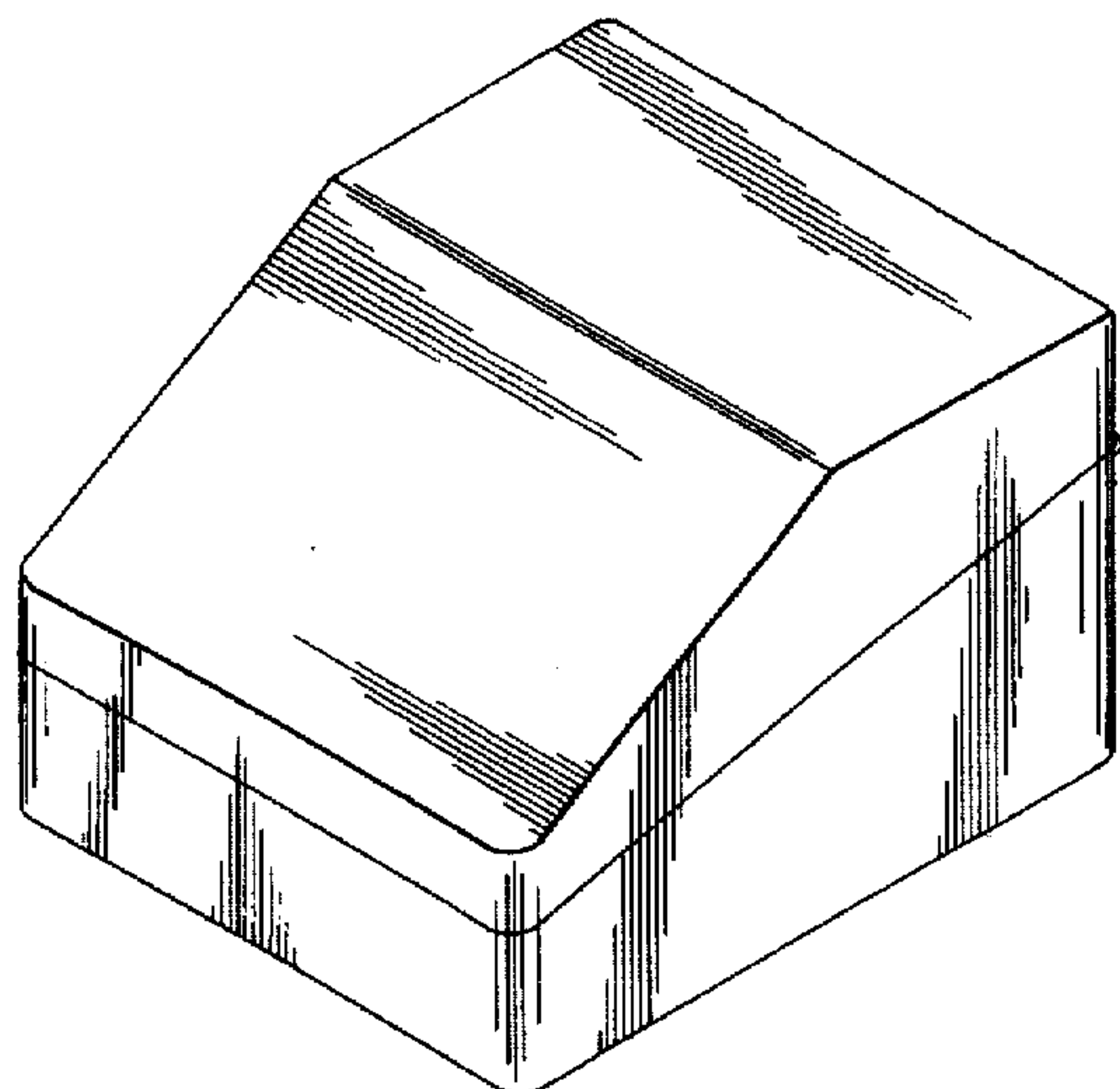
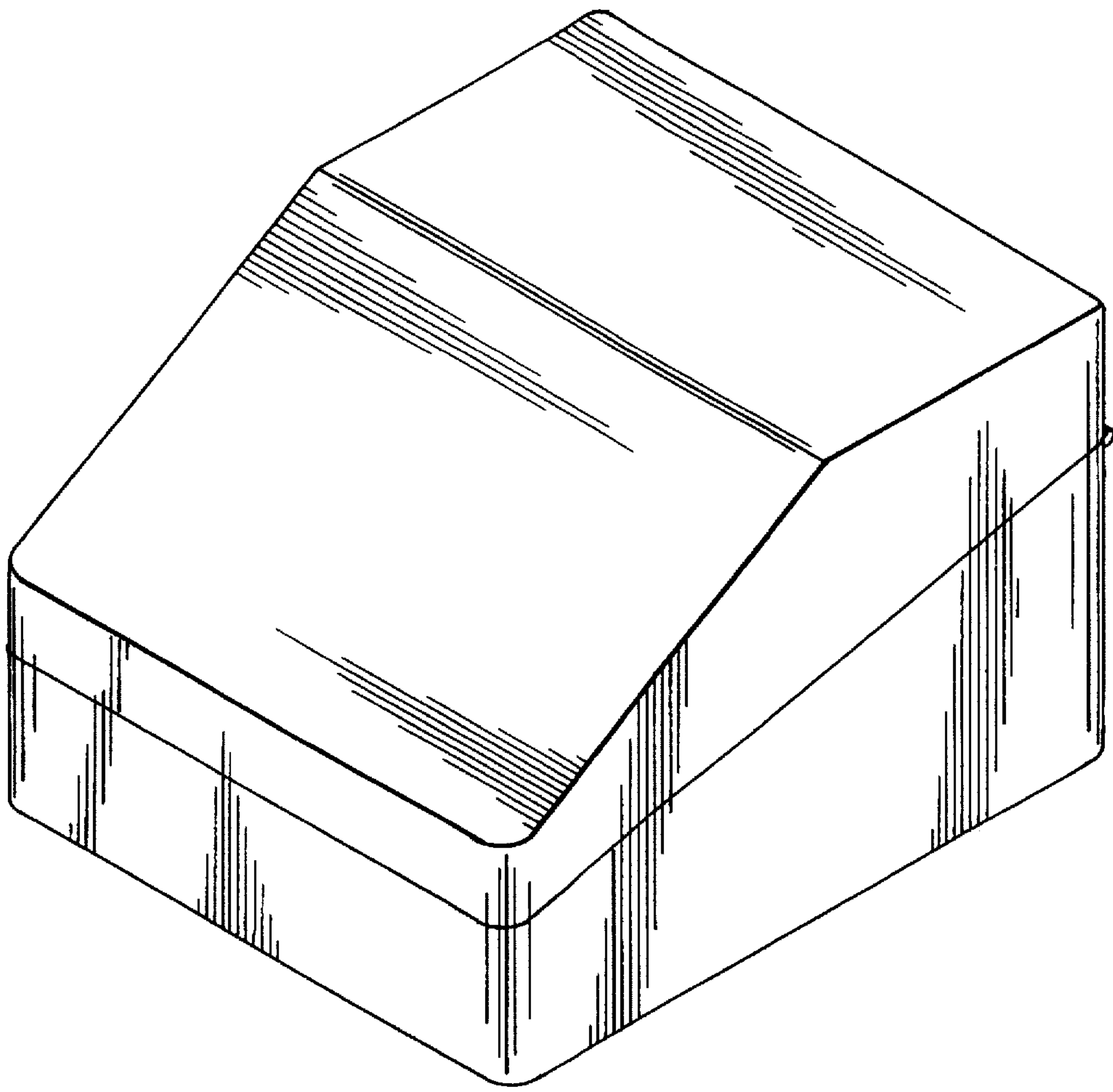


FIG. 1



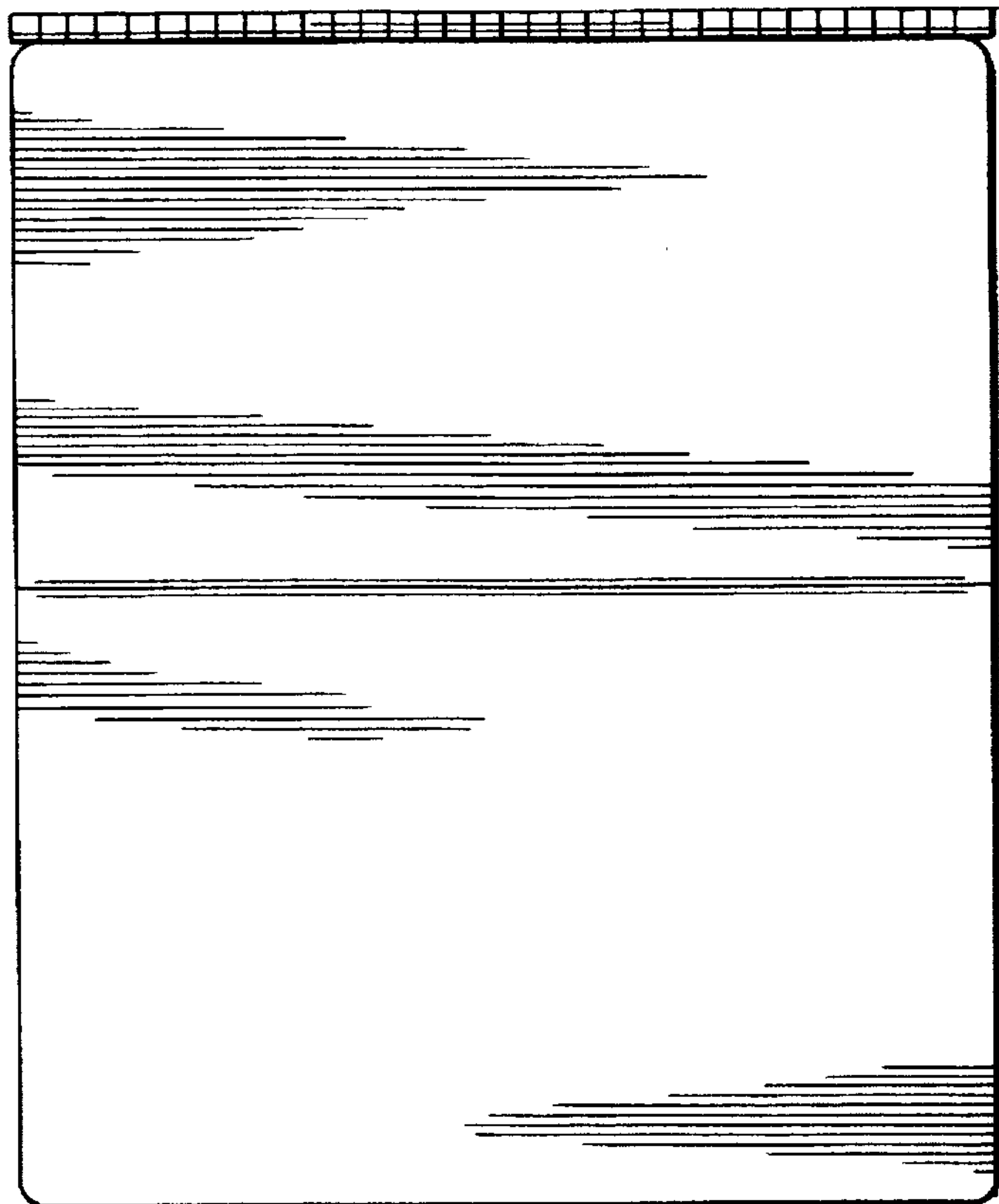


FIG. 2

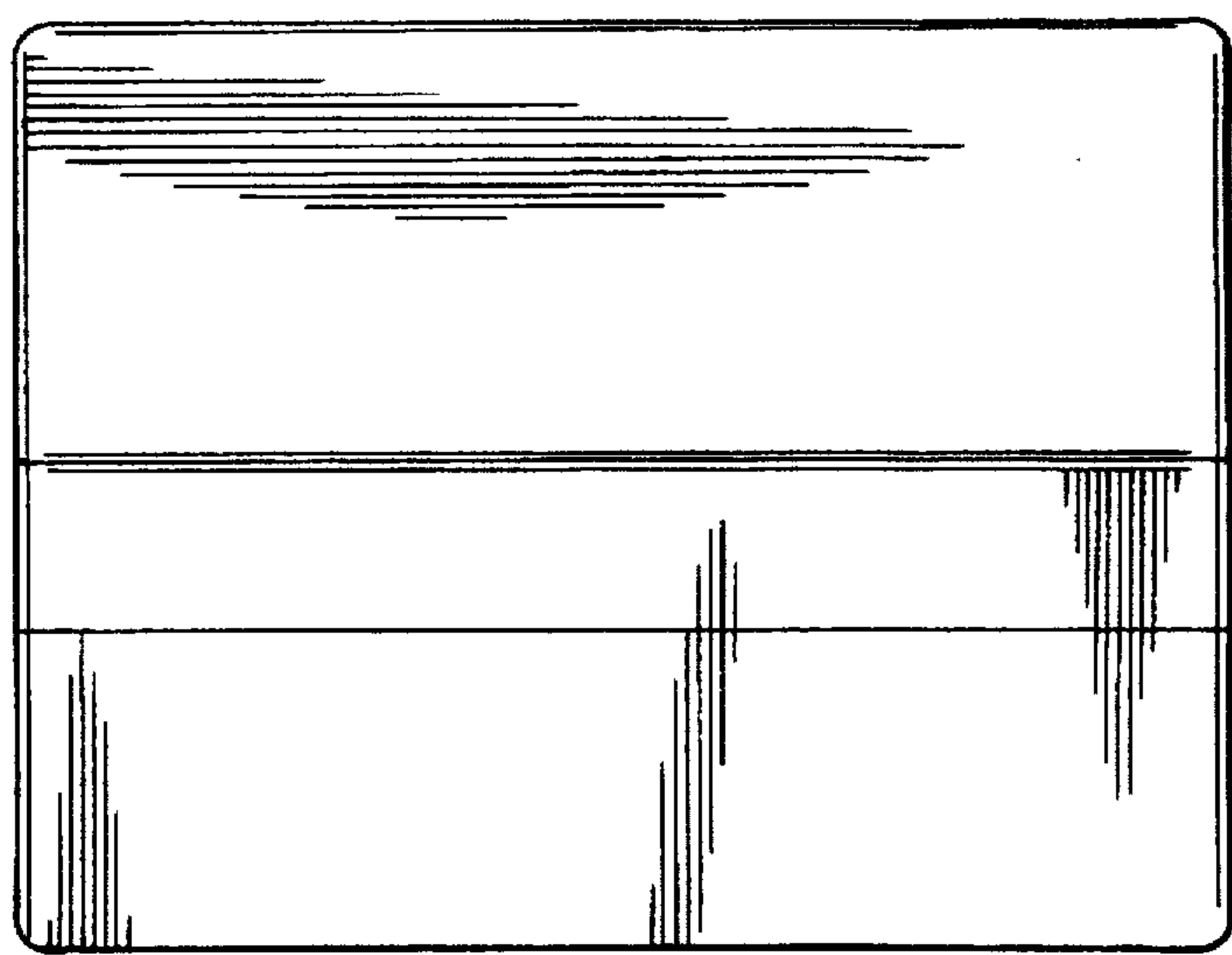


FIG. 3

FIG. 4

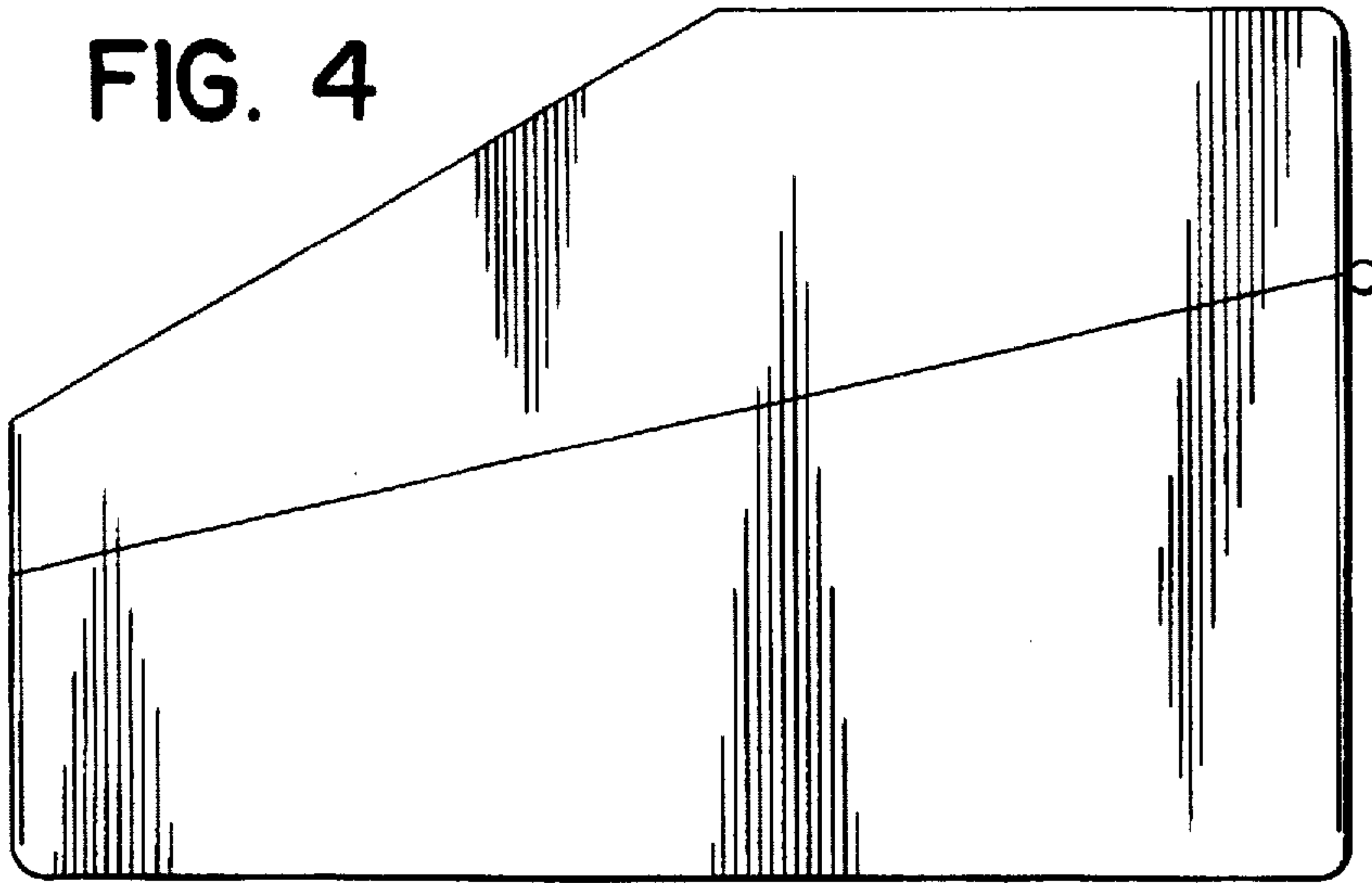


FIG. 5

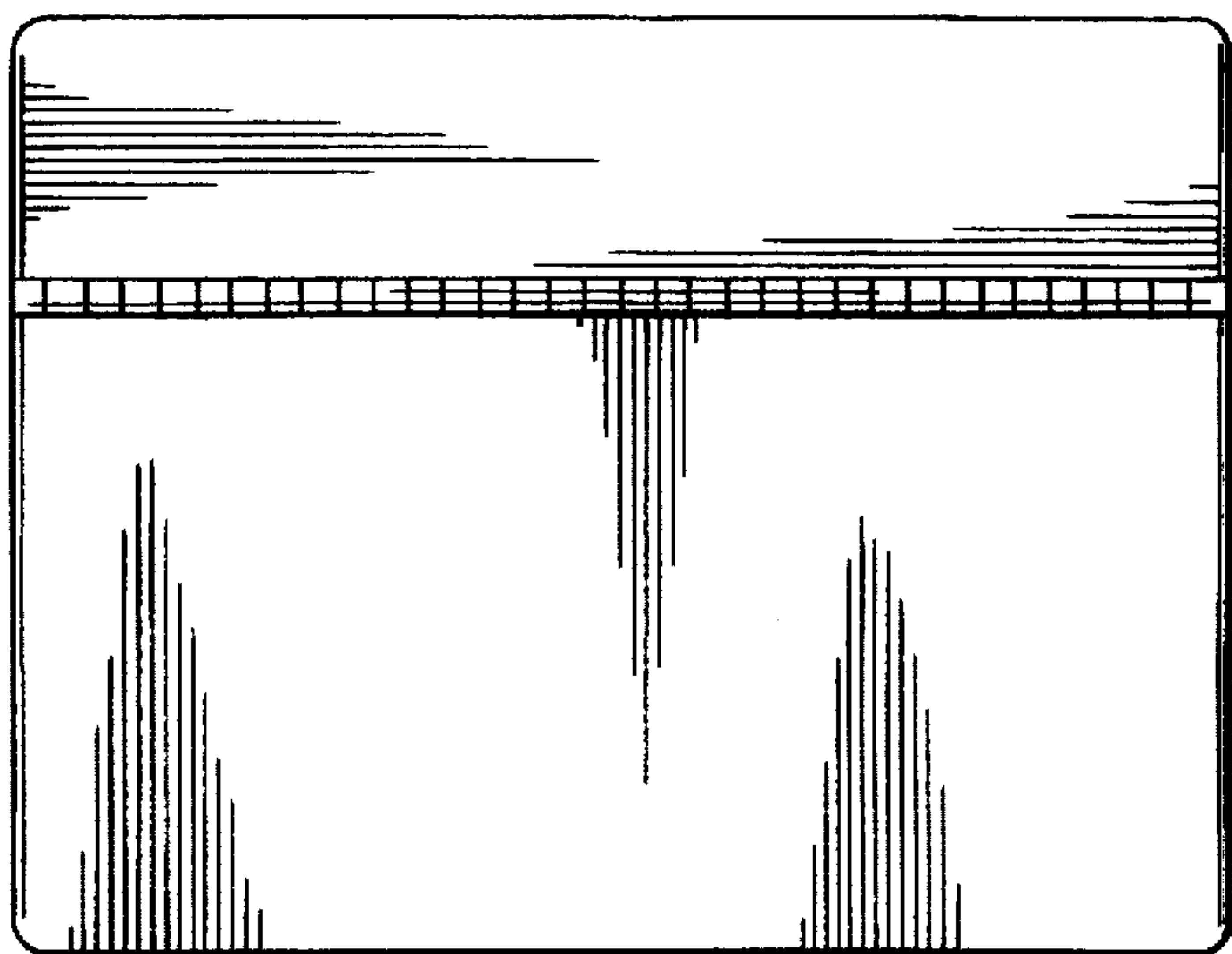


FIG. 6

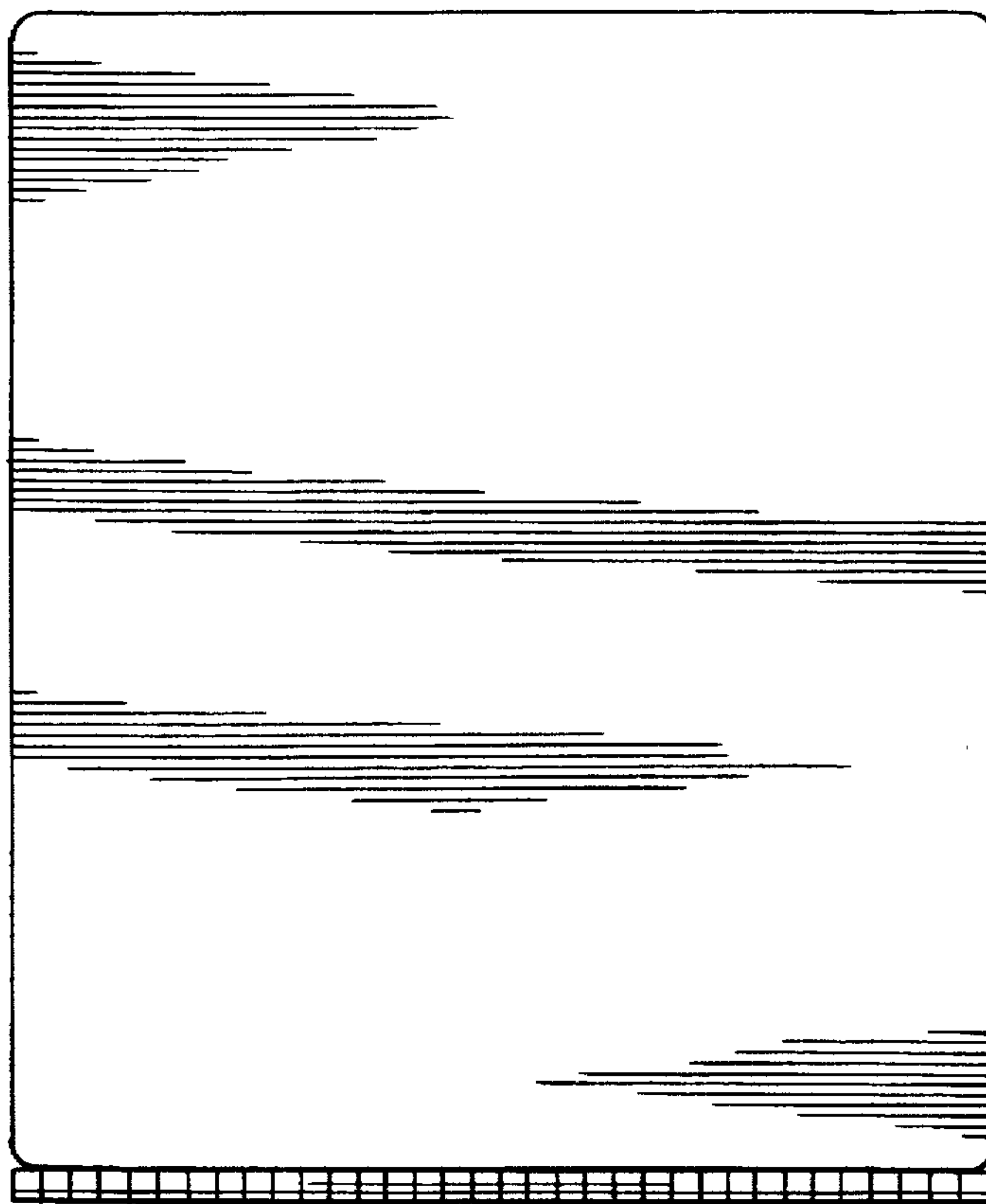


FIG. 7

