



US00D397825S

United States Patent [19]
Segawa

[11] **Patent Number:** **Des. 397,825**
[45] **Date of Patent:** ****Sep. 1, 1998**

[54] **CIGARETTE LIGHTER**
[75] **Inventor:** **Takaaki Segawa, Ichikawa, Japan**
[73] **Assignee:** **Kabushiki Kaisha Sarome, Tokyo, Japan**
[**] **Term:** **14 Years**

Assistant Examiner—Jennifer Rivard
Attorney, Agent, or Firm—Sughrue, Mion, Zinn, Macpeak & Seas, PLLC

[57] **CLAIM**

The ornamental design for a cigarette lighter, as shown and described.

DESCRIPTION

FIG. 1 is a perspective view of the top, front and right side of a cigarette lighter showing my new design;
FIG. 2 is a left side elevational view thereof;
FIG. 3 is a front elevational view thereof;
FIG. 4 is a right side elevational view thereof;
FIG. 5 is a rear elevational view thereof;
FIG. 6 is a top plan view thereof;
FIG. 7 is a bottom plan view thereof;
FIG. 8 is a perspective view similar to FIG. 1 with the cover in an alternative position;
FIG. 9 is a right side elevational view thereof;
FIG. 10 is a rear elevational view thereof;
FIG. 11 is a left side elevational view thereof;
FIG. 12 is a front elevational view thereof;
FIG. 13 is a top plan view thereof; and,
FIG. 14 is a bottom plan view thereof.

[21] **Appl. No.:** **75,324**
[22] **Filed:** **Aug. 28, 1997**
[51] **LOC (6) Cl.** **27-05**
[52] **U.S. Cl.** **D27/159**
[58] **Field of Search** 431/129, 153, 431/149, 255, 151, 135, 143, 273, 279, 124; D27/139, 141, 148, 152, 153, 155, 154, 156, 157, 158, 159, 160, 161

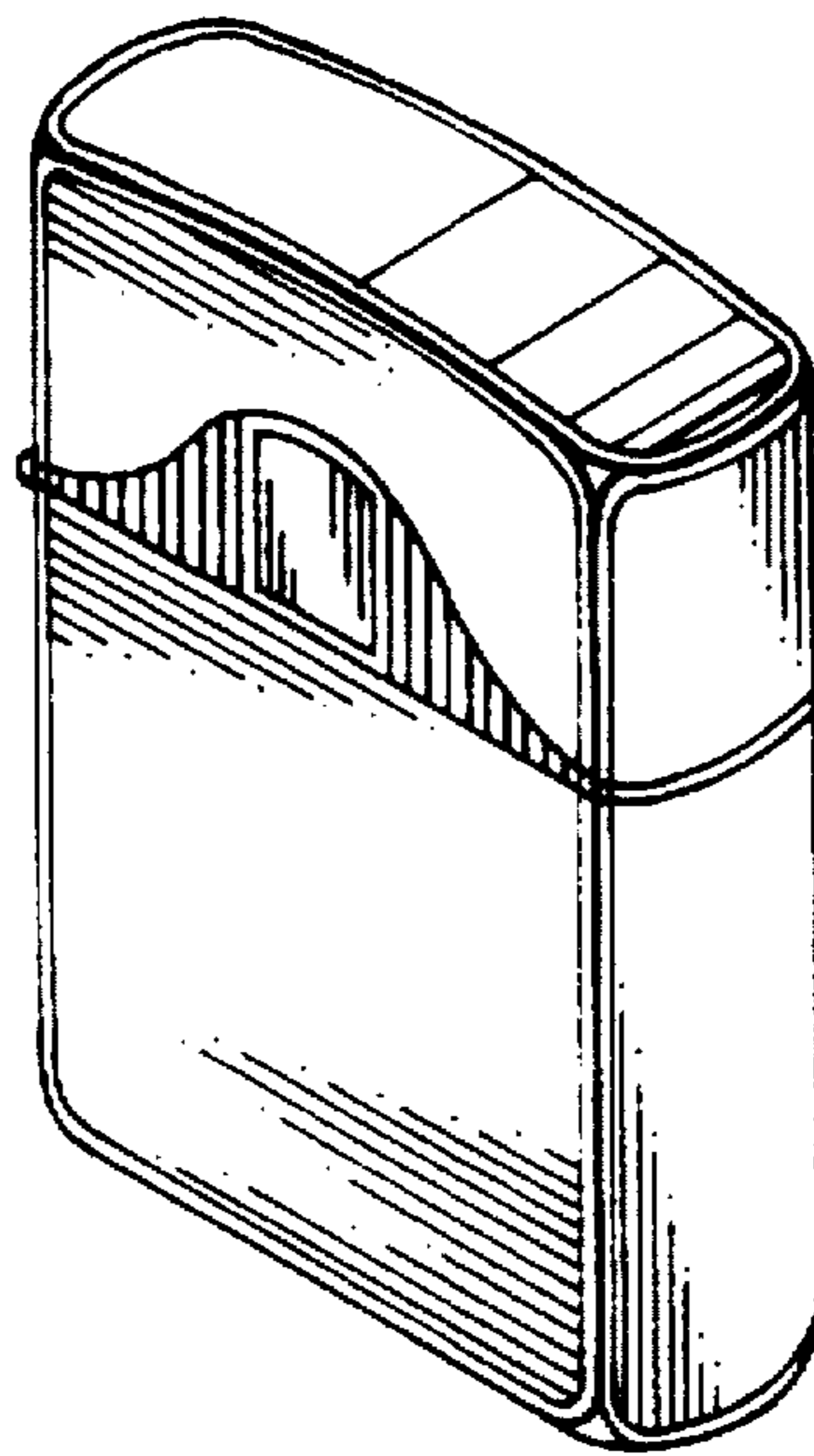
[56] **References Cited**

U.S. PATENT DOCUMENTS

D. 206,898	2/1967	Ensign et al.	D27/159
D. 368,980	4/1996	Ichikawa	D27/141
2,482,794	9/1949	Peterson	431/255 X
2,814,190	11/1957	Bryant	431/124 X

Primary Examiner—Susan J. Lucas

1 Claim, 4 Drawing Sheets



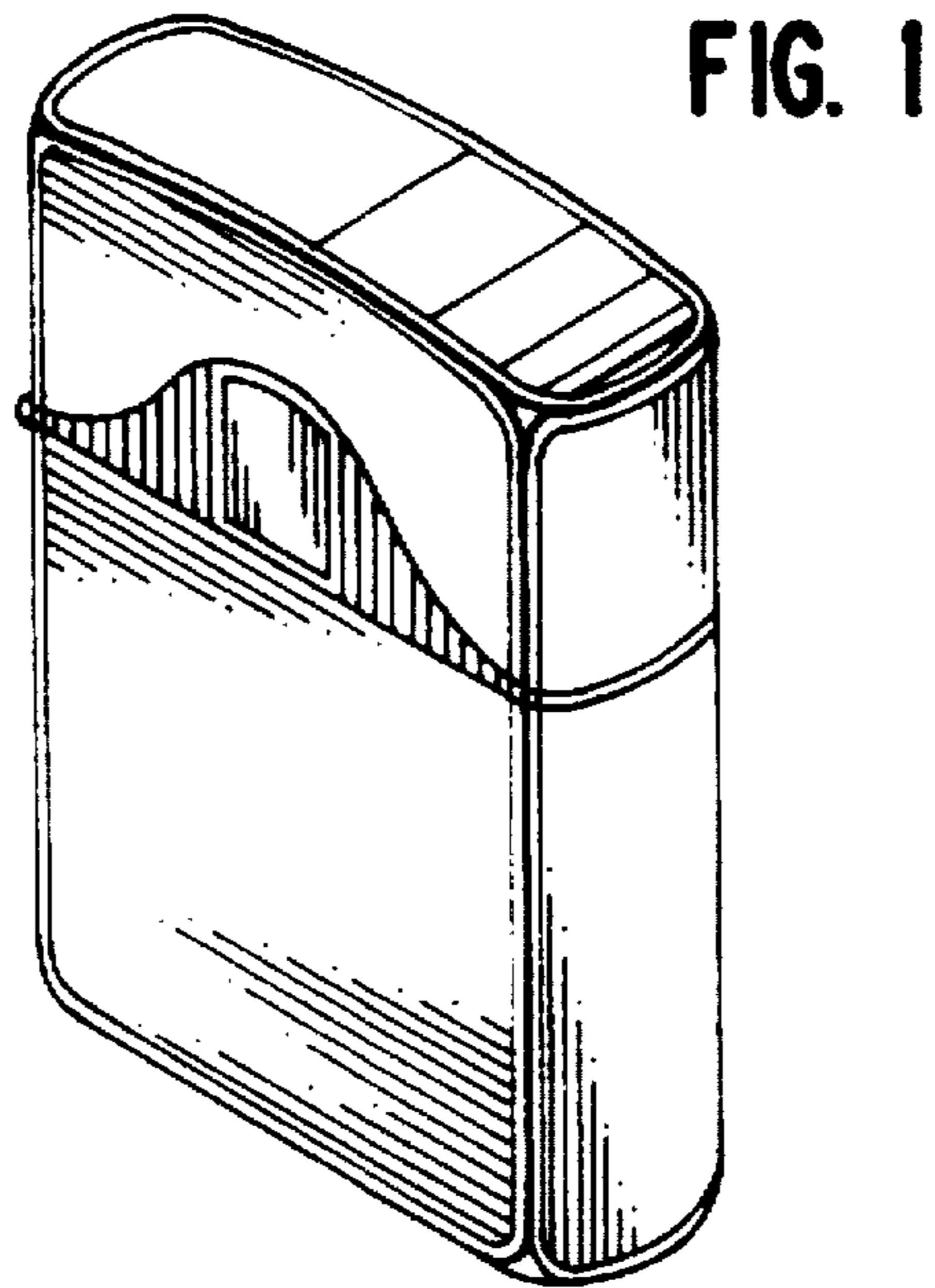


FIG. 2

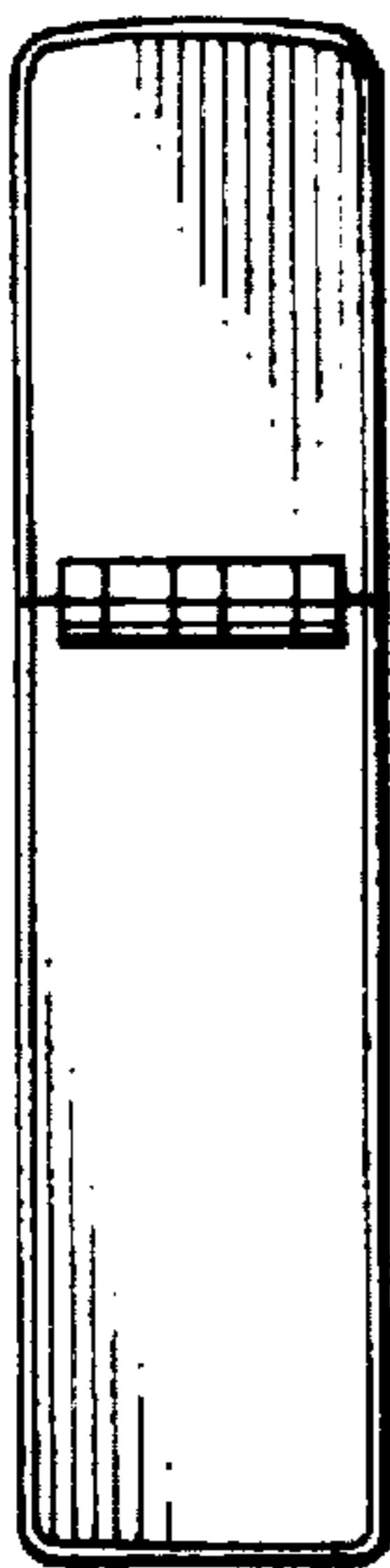


FIG. 3

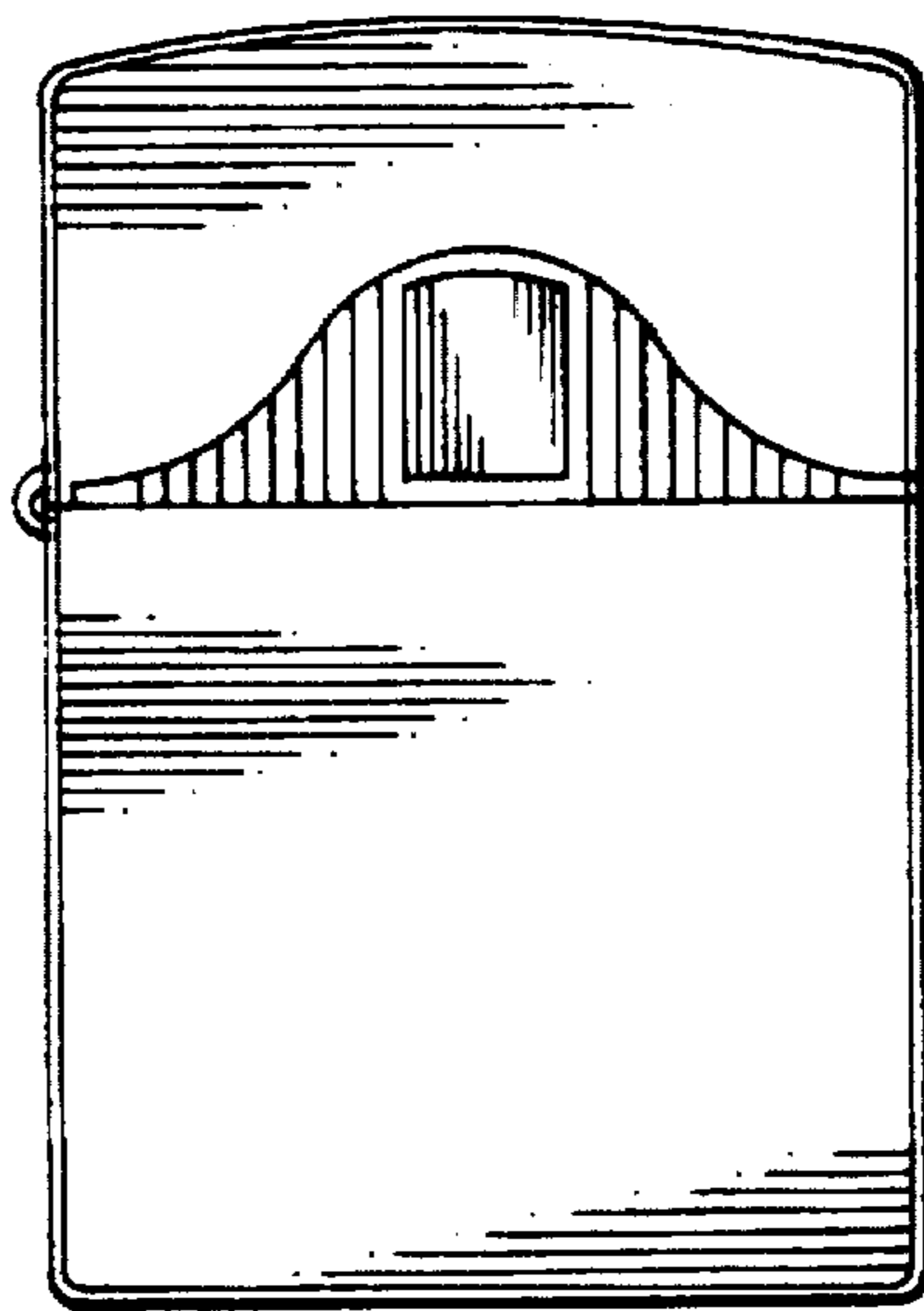


FIG. 4



FIG. 5

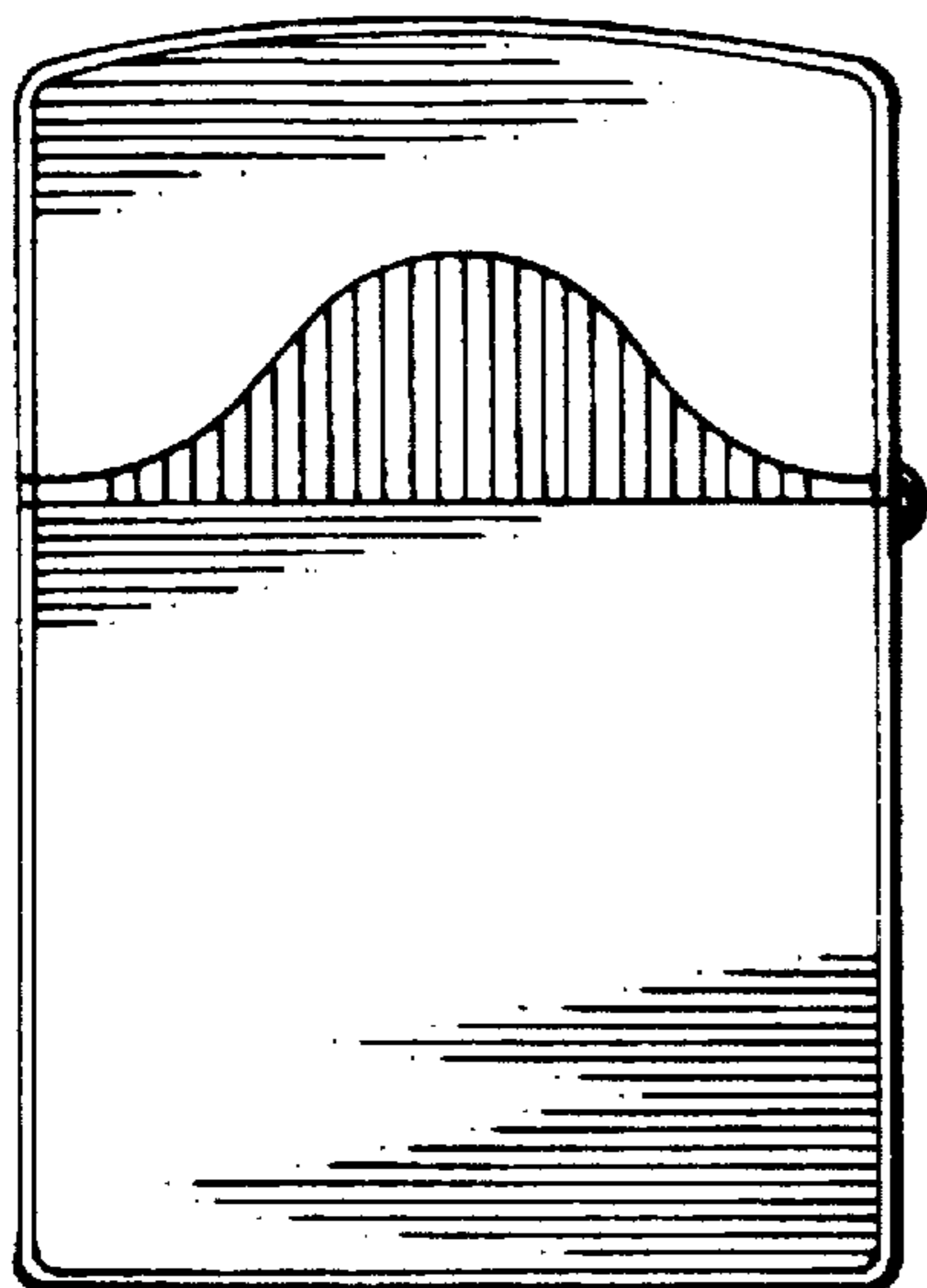


FIG. 6

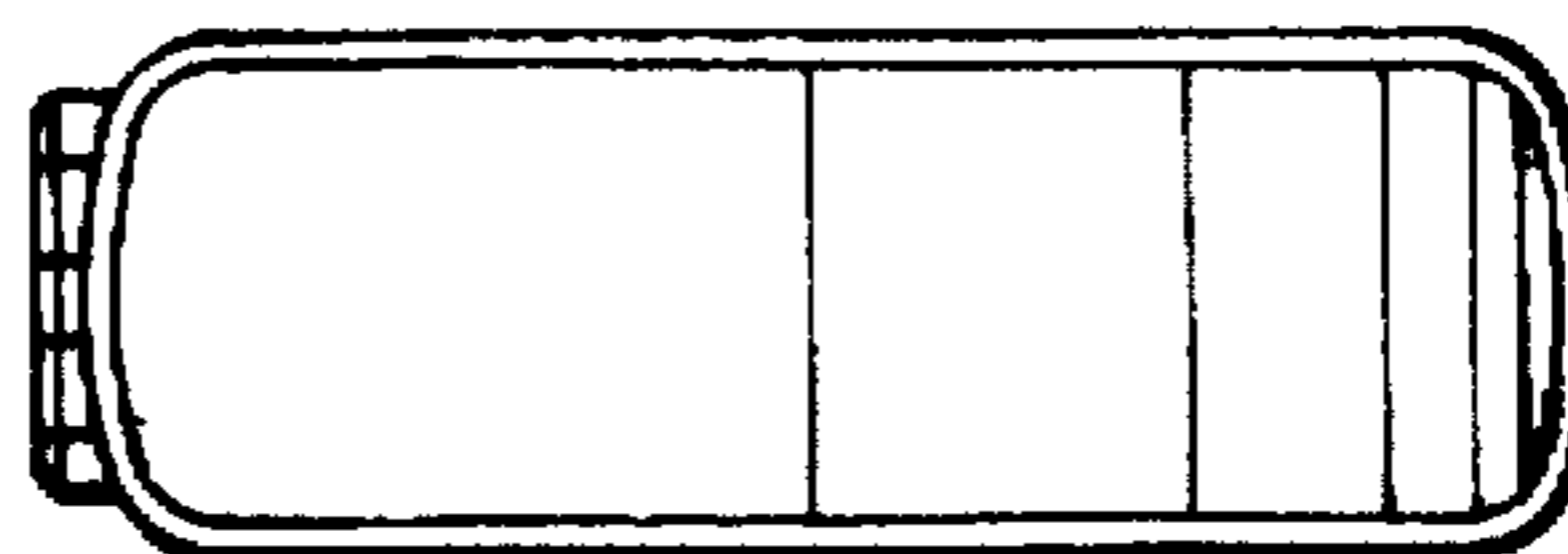


FIG. 7

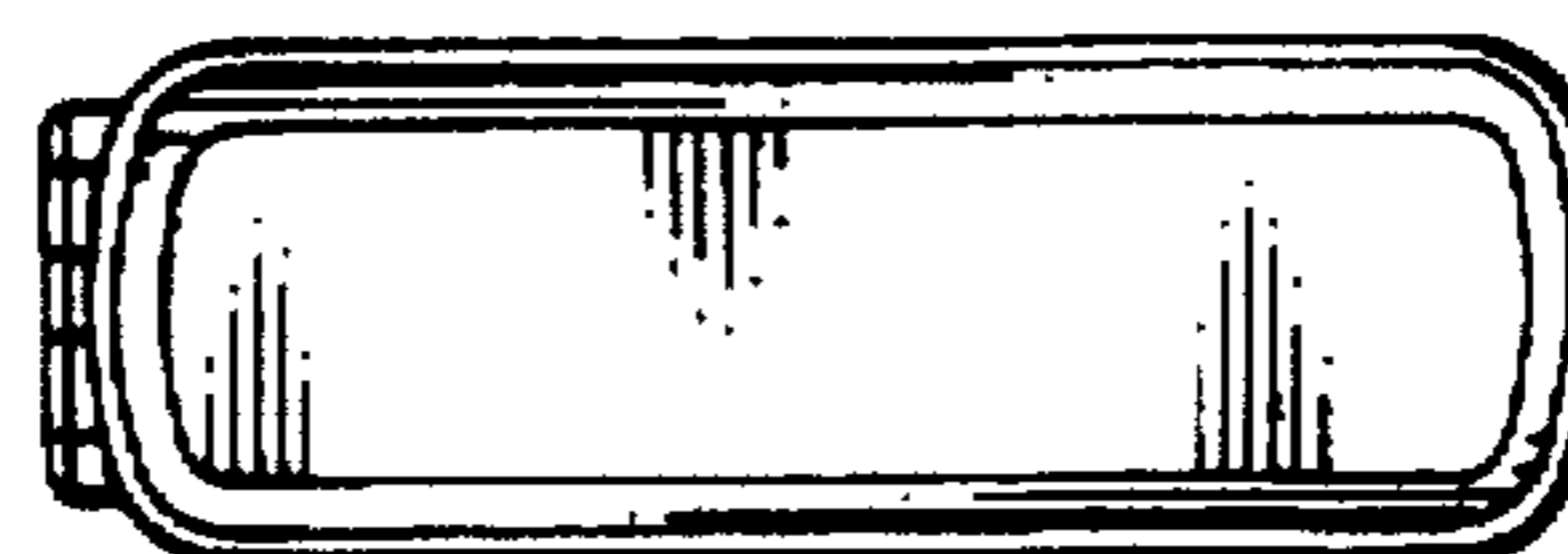


FIG. 8

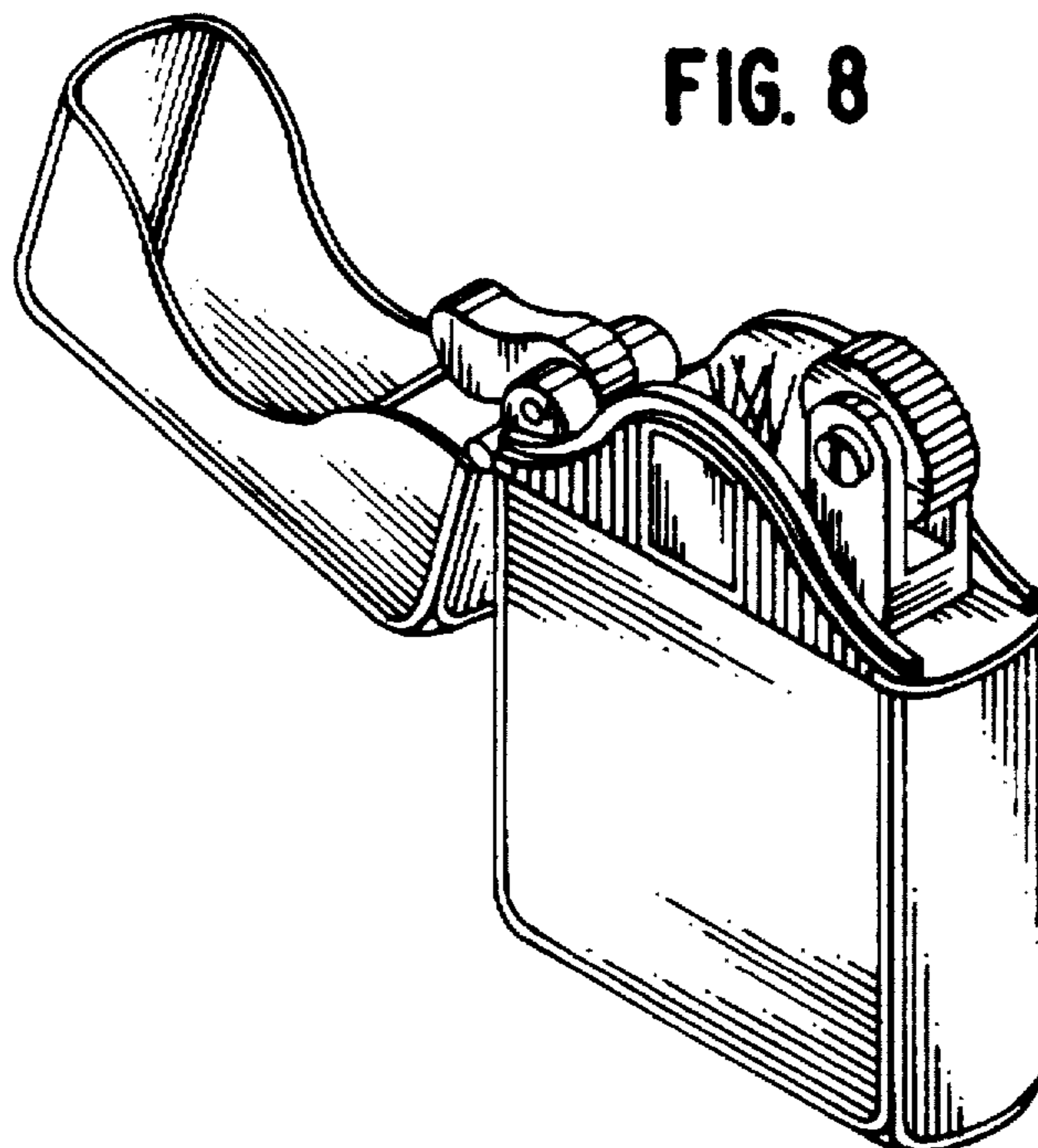


FIG. 9

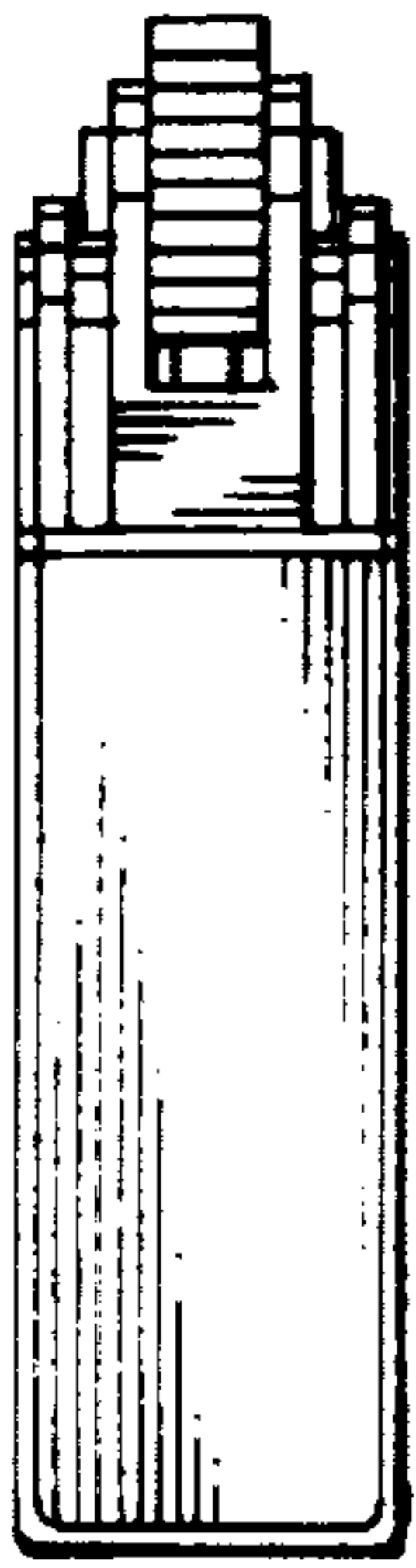


FIG. 10

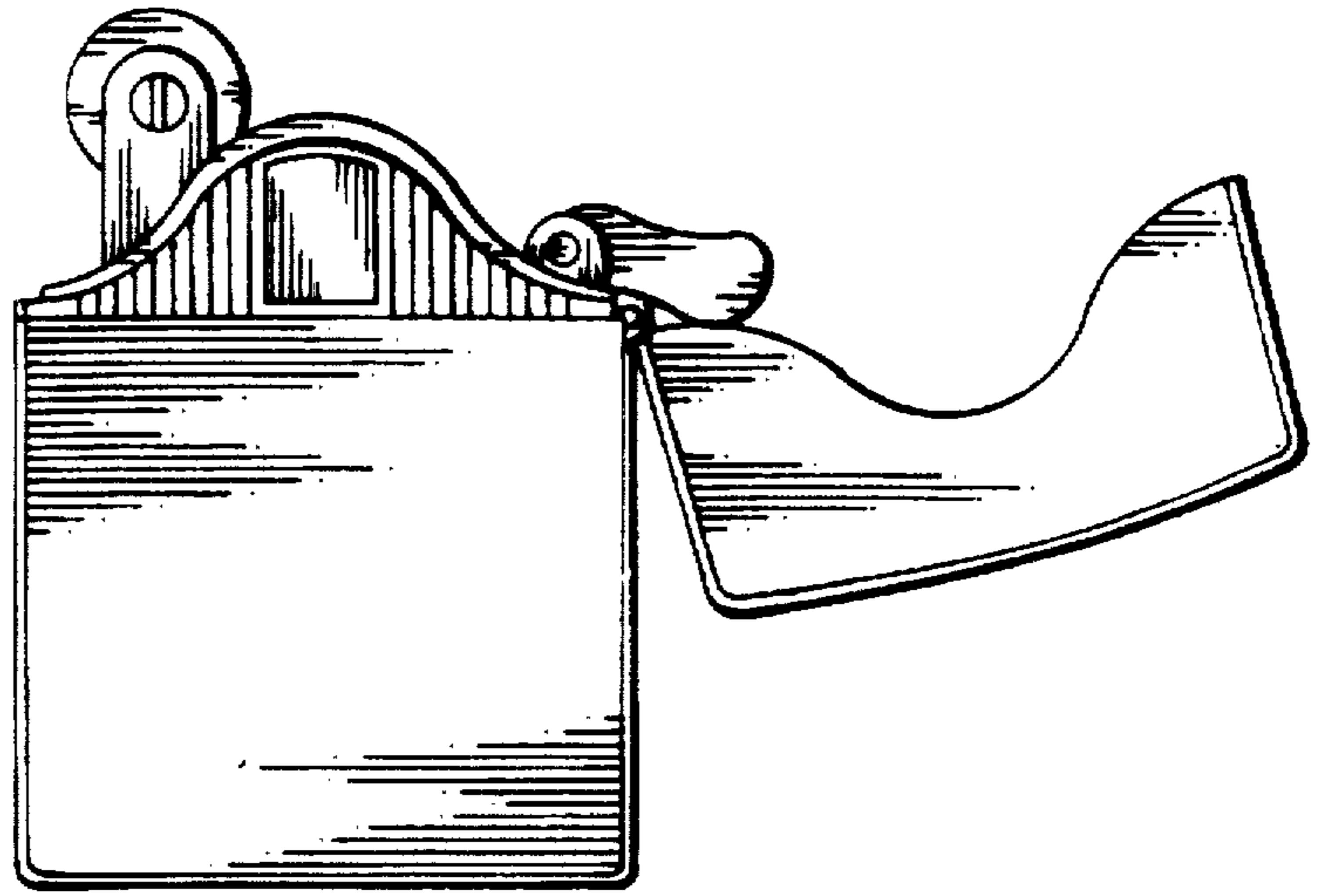


FIG. 11

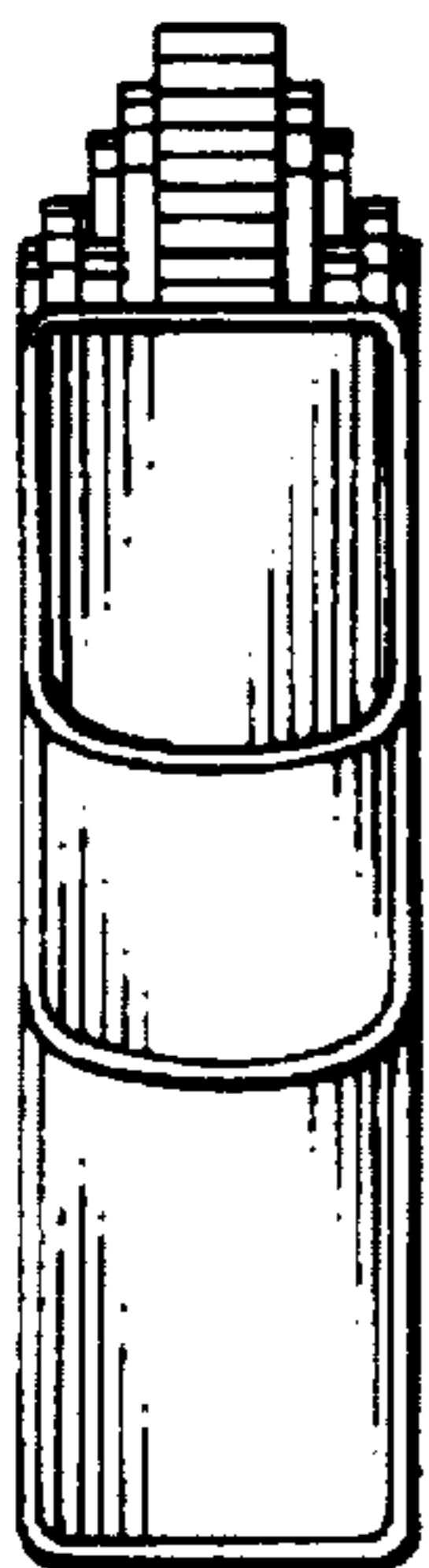


FIG. 12

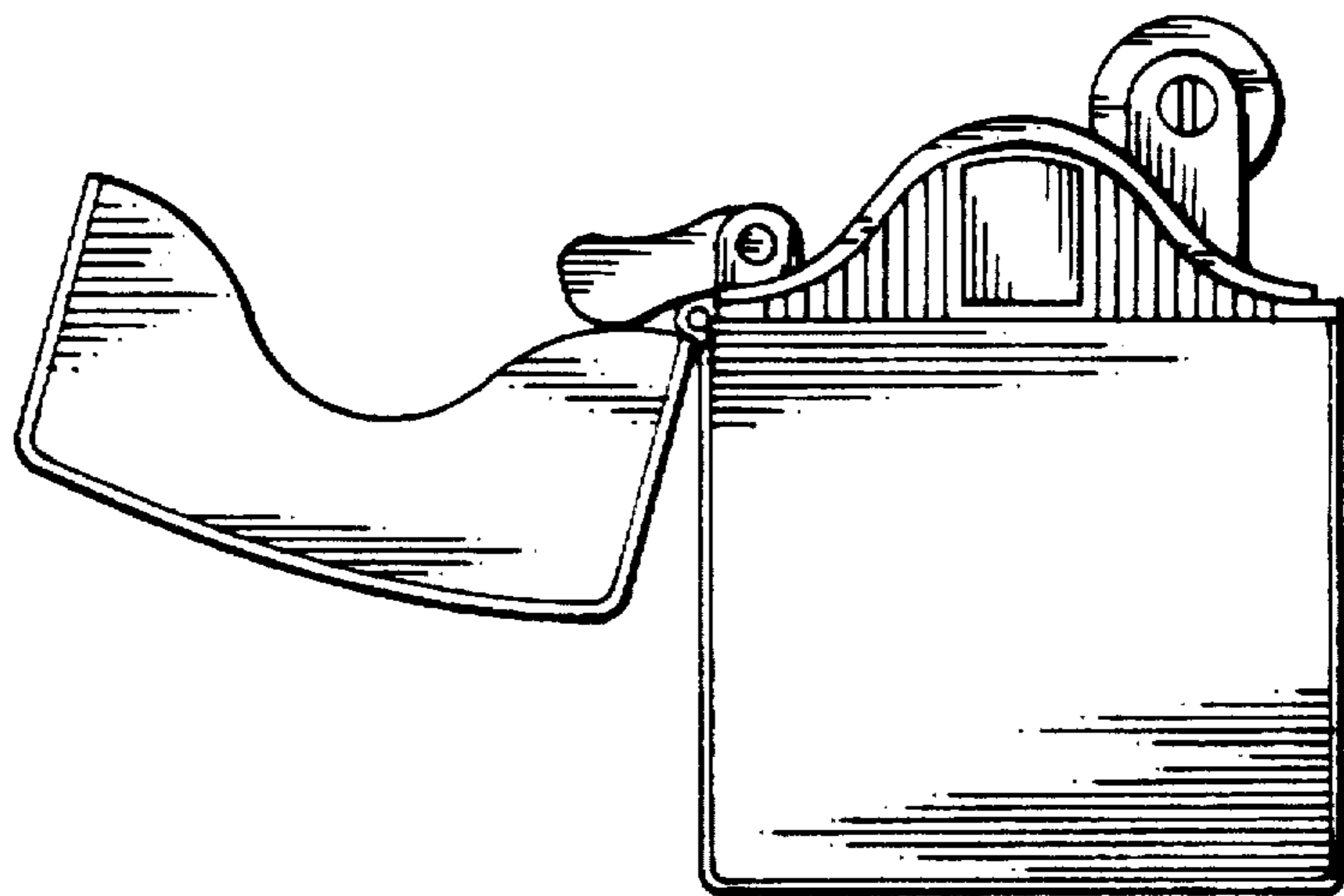


FIG. 13

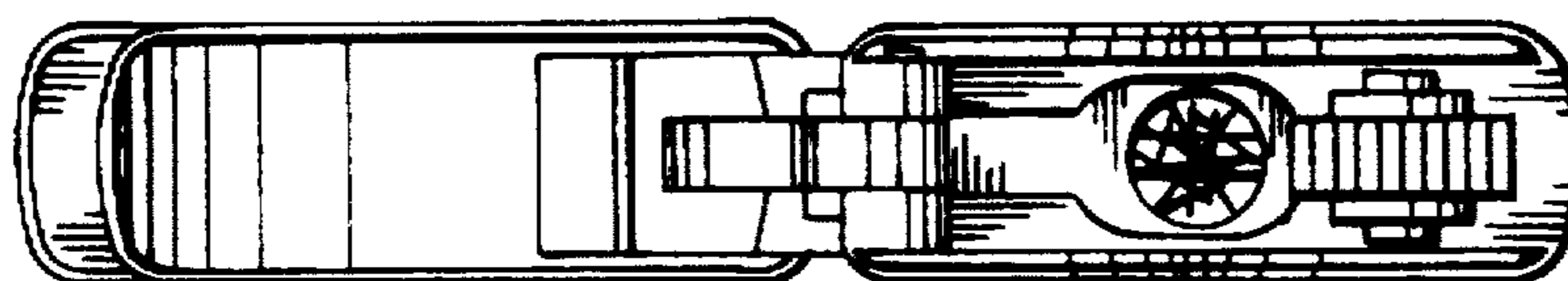


FIG. 14

