



US00D397824S

United States Patent [19]
Von Kluck

[11] **Patent Number: Des. 397,824**
[45] **Date of Patent: **Sep. 1, 1998**

[54] **TABLE LAMP**

2,192,623 3/1940 Schwarz 362/414

[75] **Inventor: Kevin Von Kluck, Hudson, Ohio**

Primary Examiner—Susan J. Lucas
Attorney, Agent, or Firm—Watts, Hoffmann, Fisher & Heinke, Co., L.P.A.

[73] **Assignee: The L. D. Kichler Co., Cleveland, Ohio**

[**] **Term: 14 Years**

[57] **CLAIM**

The ornamental design for a table lamp, as shown and described.

[21] **Appl. No.: 70,578**

DESCRIPTION

[22] **Filed: May 12, 1997**

[51] **LOC (6) Cl. 26-05**

FIG. 1 is a perspective view of the table lamp showing my new design;

[52] **U.S. Cl. D26/111**

FIG. 2 is a right side elevational view of the table lamp, the left side elevational view being a mirror image;

[58] **Field of Search D26/93, 102-112; 362/410-414**

FIG. 3 is a front elevational view of the table lamp;

FIG. 4 is a rear elevational view of the table lamp;

FIG. 5 is a top plan view of the table lamp; and,

FIG. 6 is a bottom plan view of the table lamp.

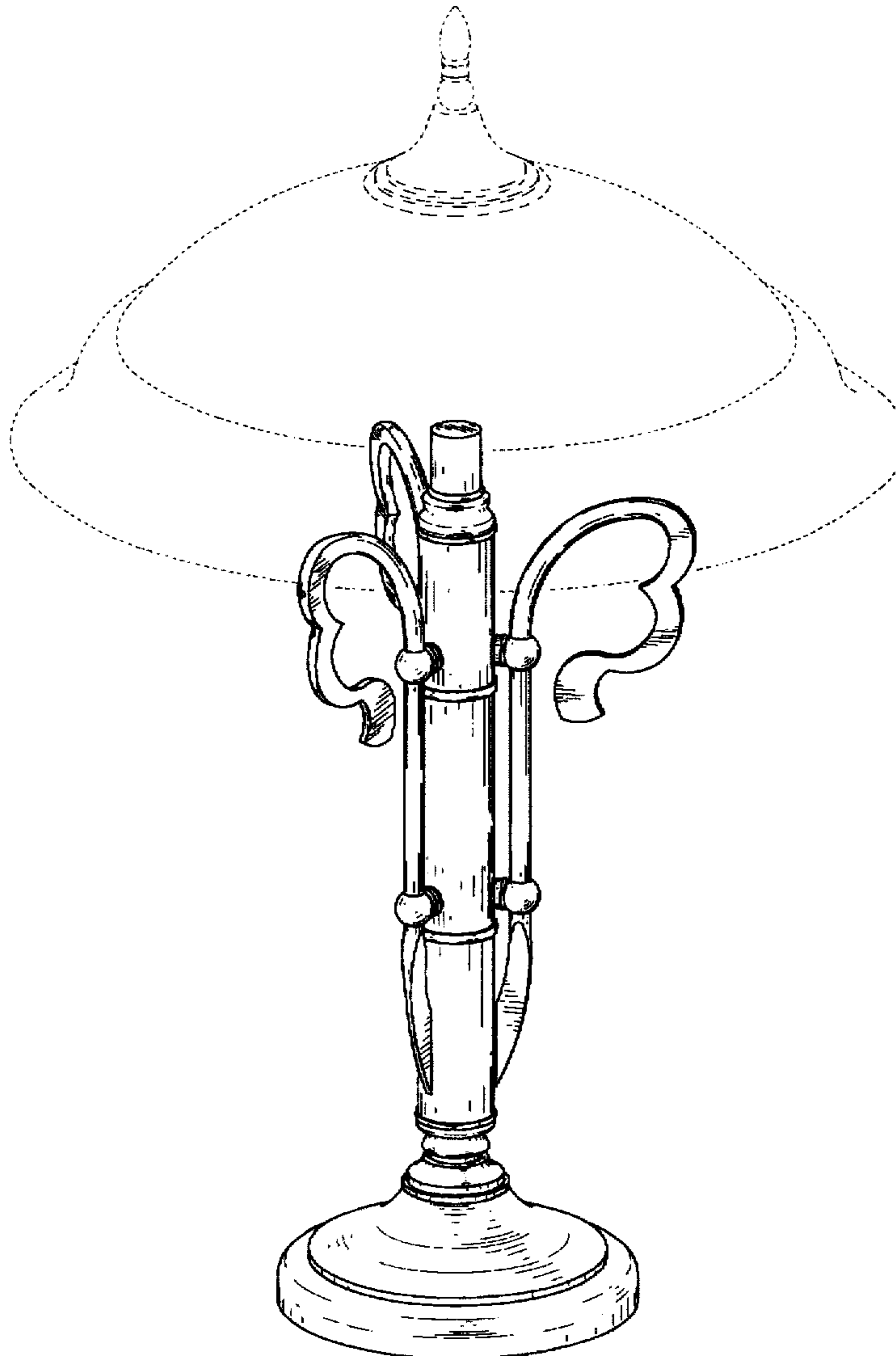
The shade shown in broken lines is for illustrative purposes only and forms no part of the claimed design.

[56] **References Cited**

U.S. PATENT DOCUMENTS

- D. 21,871 9/1892 Yokel D26/111
- D. 337,848 7/1993 Meck et al. D26/110
- D. 380,860 7/1997 Benghozi D26/111

1 Claim, 5 Drawing Sheets



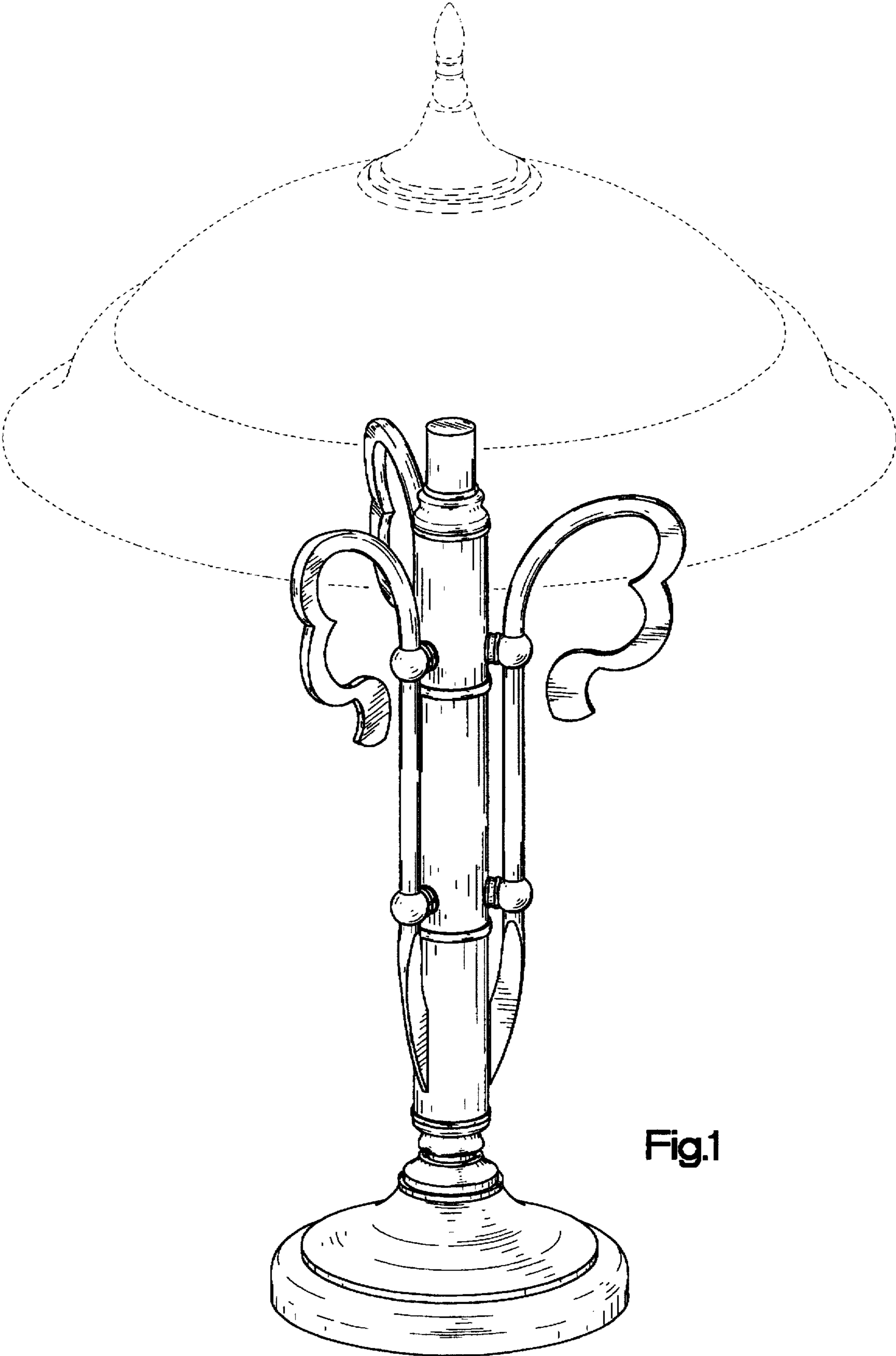


Fig.1

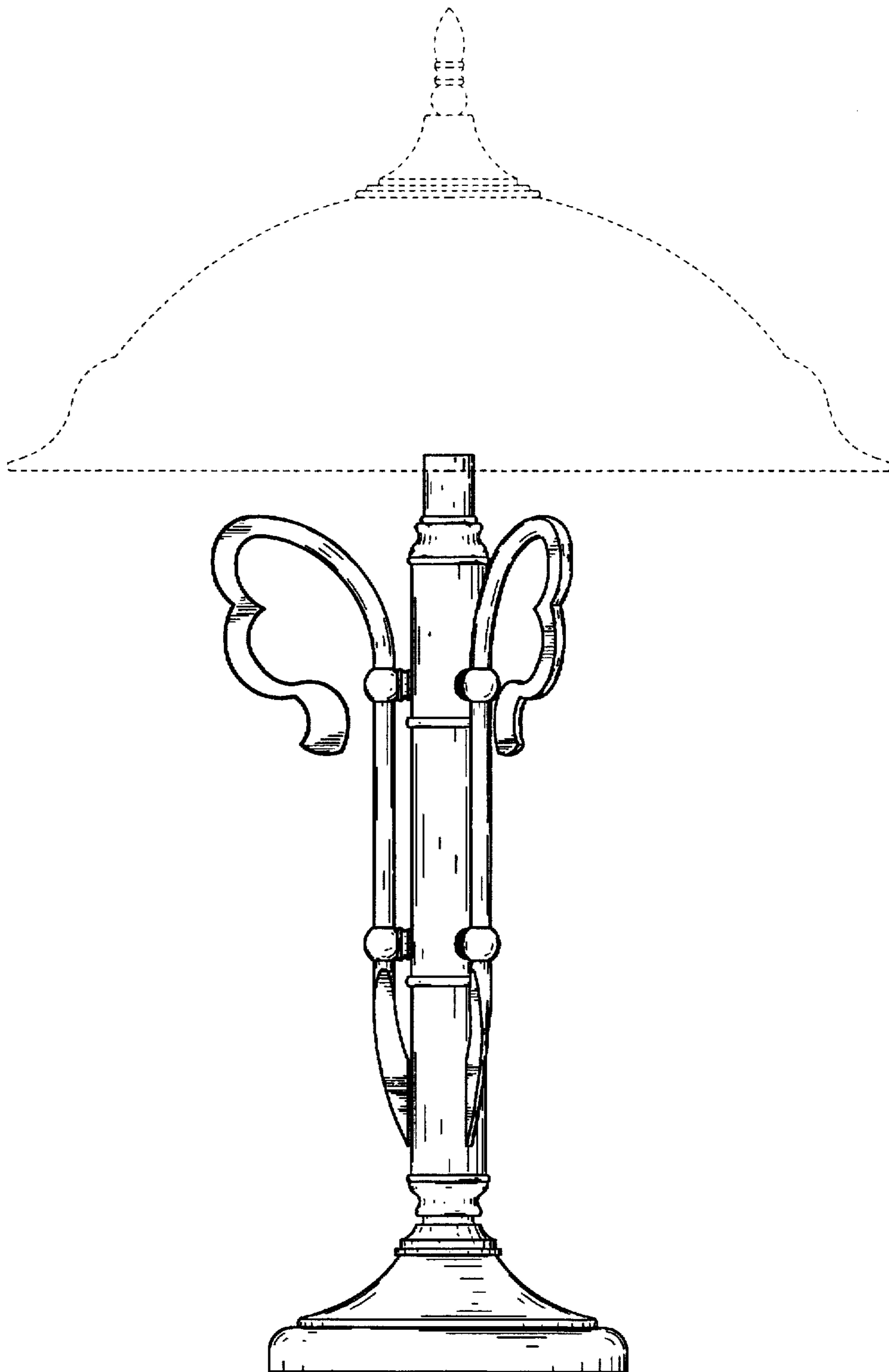


Fig.2

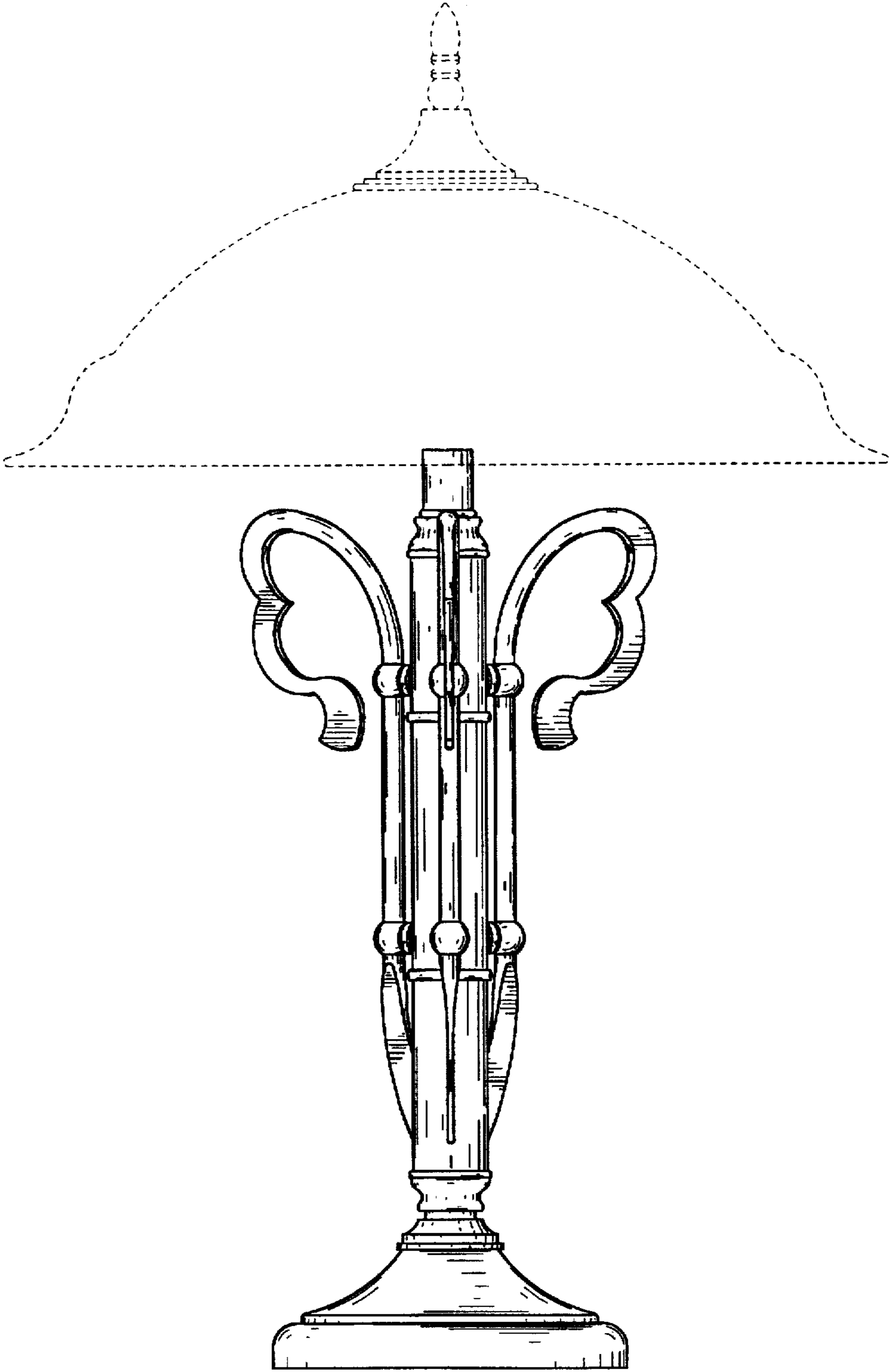


Fig.3

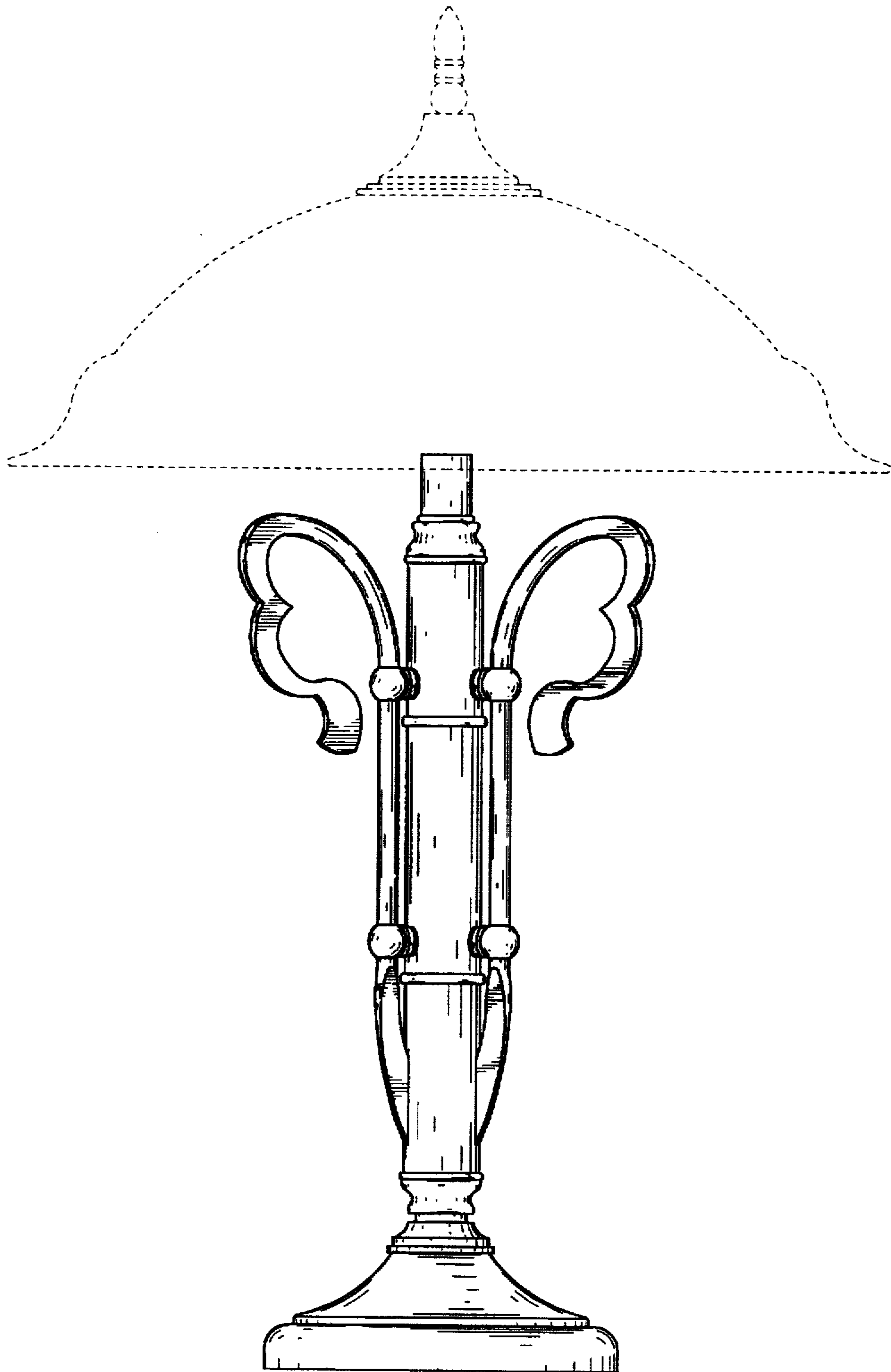


Fig.4

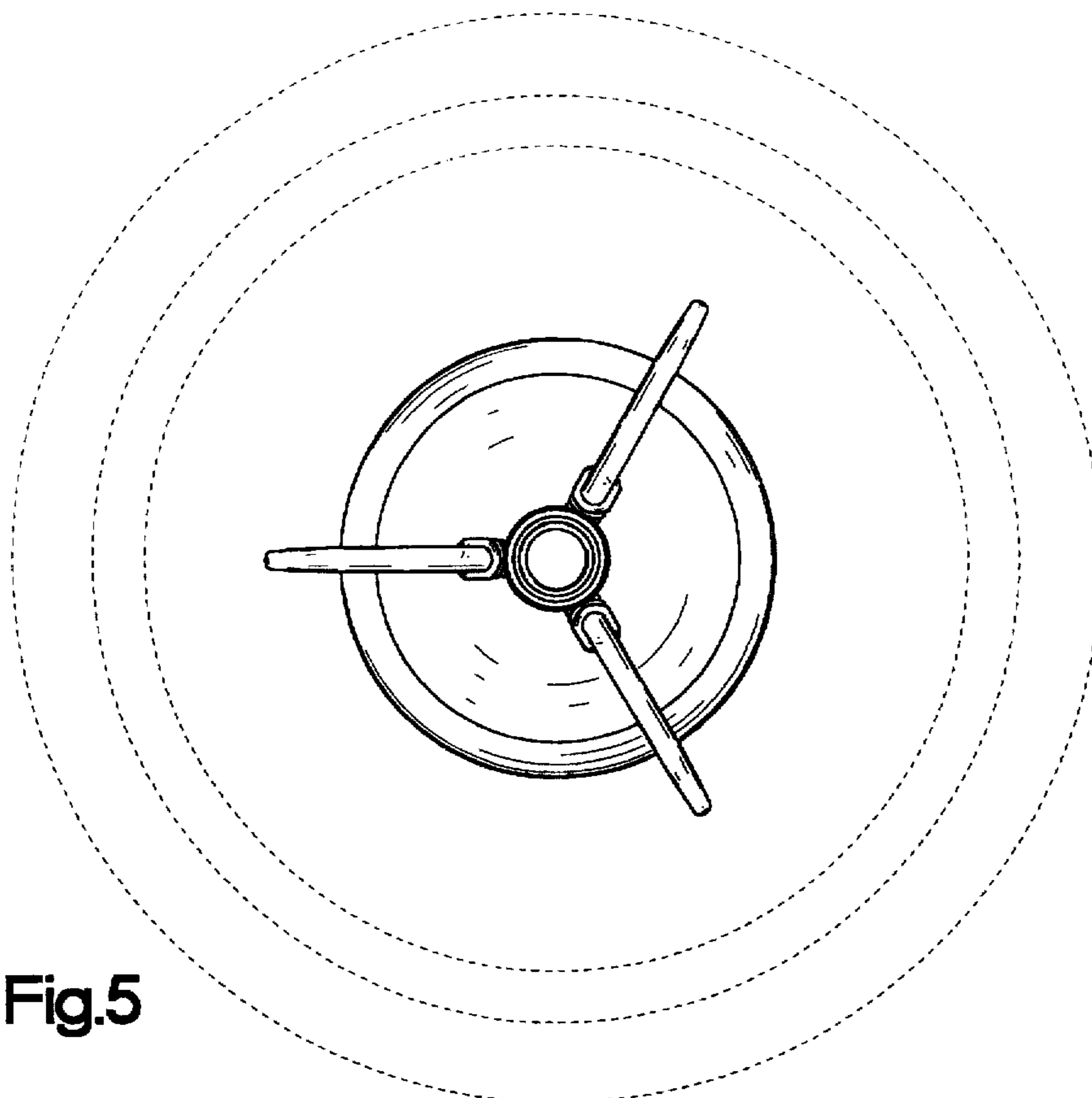


Fig.5

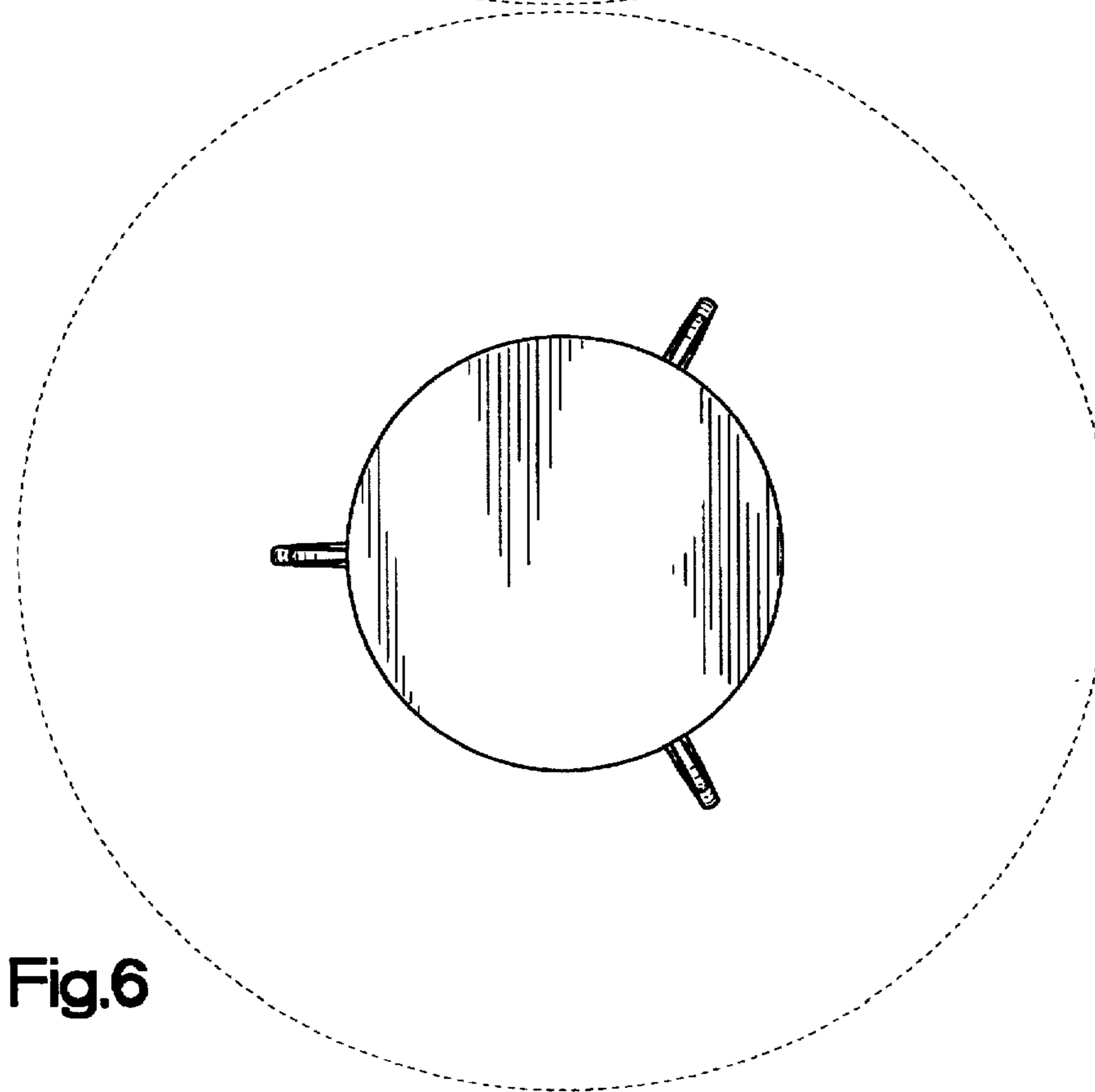


Fig.6