



US00D397820S

United States Patent [19]

[11] Patent Number: **Des. 397,820**

Miranda

[45] Date of Patent: ****Sep. 1, 1998**

[54] CHANDELIER

266,550 10/1882 Stieringer .
D. 365,410 12/1995 Corbett D26/81

[76] Inventor: **Pasquale Miranda**, 154 Sleepy Hollow Rd., Briarcliff Manor, N.Y. 10510

OTHER PUBLICATIONS

[**] Term: **14 Years**

Kalco Lighting Co., Inc. catalog, 1994, cover page, pp. 1, 18-19 and 27.

[21] Appl. No.: **75,357**

Elk Lighting Inc., Page showing model numbers 1394/4, 1393/5+3, 1396/1 and 1395/6+6 and Page showing Model Nos. 9265/12+6+3, 9263/3+2 and 9255/8.

[22] Filed: **Aug. 15, 1997**

Scott Lamp Co., Inc. catalog, 1992 and page showing Model Nos. 3231-2 and 1031-5.

Related U.S. Application Data

Home Lighting and Accessories, p. 45, Renoma Lighting, Antique copper chandelier, Jun. 1994.

[63] Continuation of Ser. No. 64,121, Dec. 23, 1996, abandoned.

[51] LOC (6) Cl. **26-05**

Primary Examiner—Susan J. Lucas

[52] U.S. Cl. **D26/81**

Attorney, Agent, or Firm—Gottlieb, Rackman & Reisman, P.C.

[58] Field of Search D26/72, 80-92,
D26/141, 142, 143, 144, 145, 149; 362/147,
404-408

[57] CLAIM

[56] **References Cited**

The ornamental design for a chandelier, as shown and described.

U.S. PATENT DOCUMENTS

DESCRIPTION

- D. 50,247 1/1917 Polacheck .
- D. 57,429 3/1921 Frerichs .
- D. 58,149 6/1921 Klein .
- D. 58,887 9/1921 Cohn .
- D. 58,889 9/1921 Cohn D26/84
- D. 61,818 1/1923 Abrams .
- D. 63,528 12/1923 Warman .
- D. 67,337 5/1925 Chappell D26/81
- D. 73,200 8/1927 Rosenblatt D26/144
- D. 204,078 3/1966 Page .

FIG. 1 is a perspective view of the chandelier, the broken lines being shown for illustrative purposes only and forming no part of the claimed design;

FIG. 2 is a side view thereof;

FIG. 3 is a top view thereof; and,

FIG. 4 is a bottom view thereof.

1 Claim, 4 Drawing Sheets

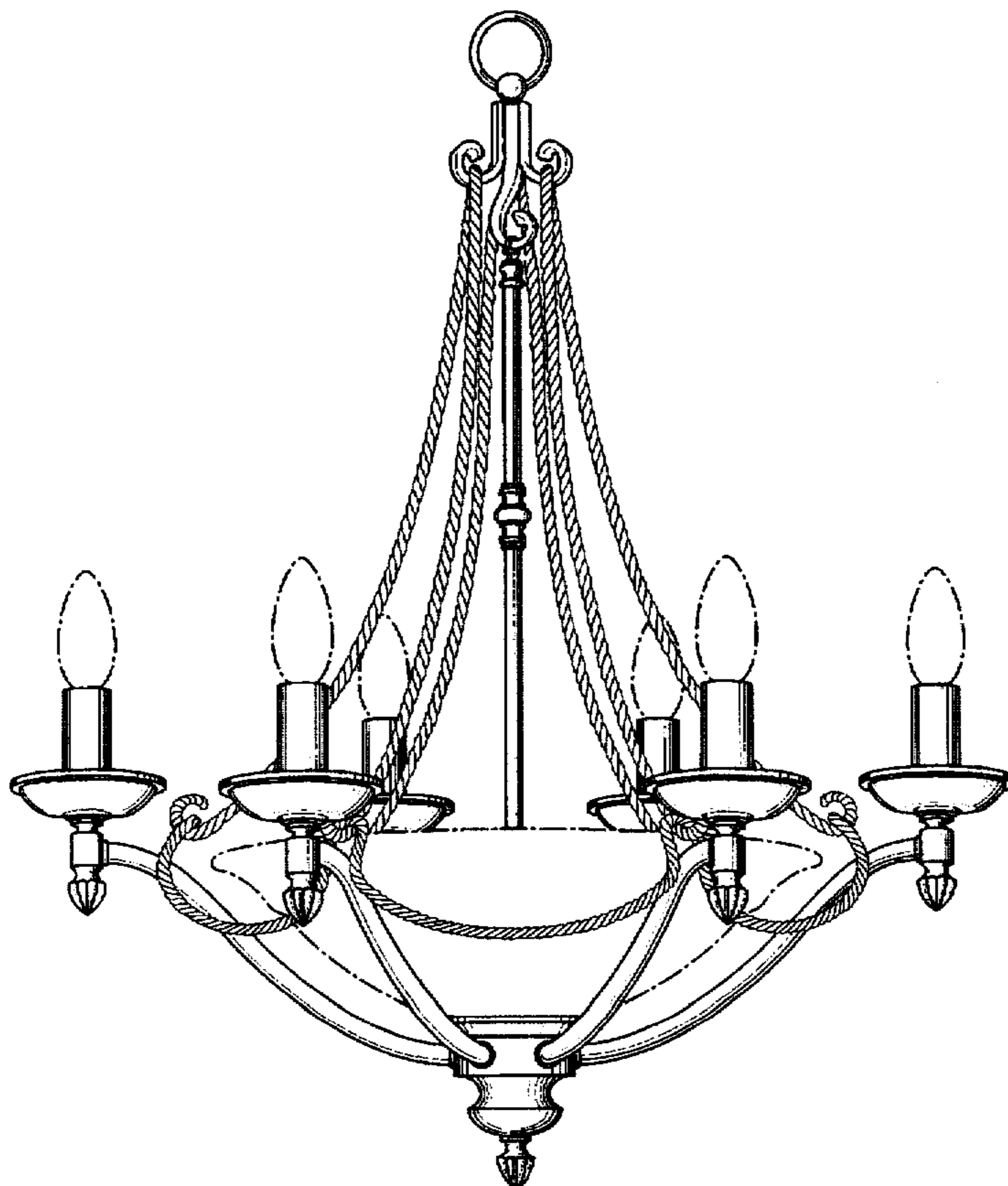


FIG. 1

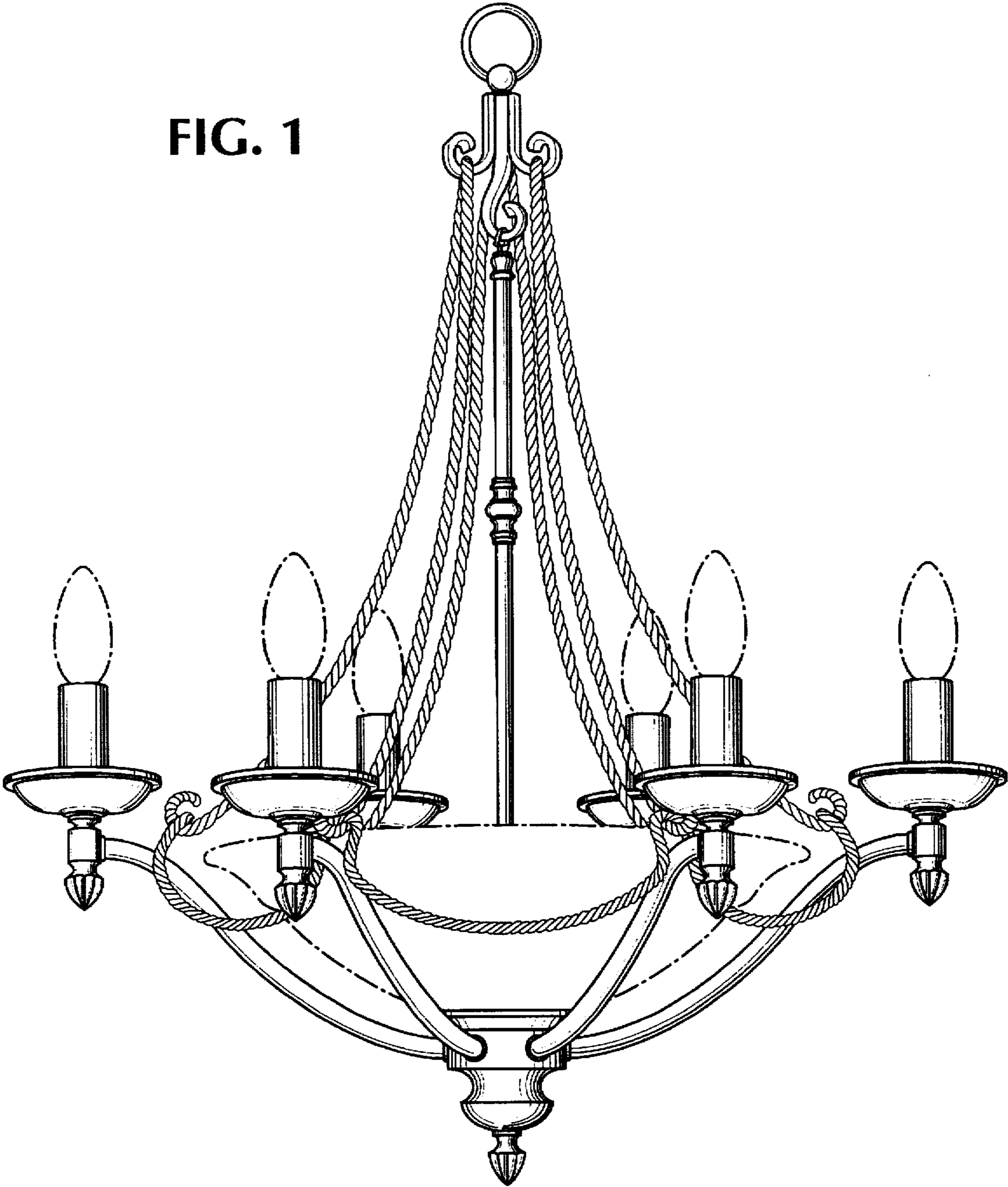


FIG. 2

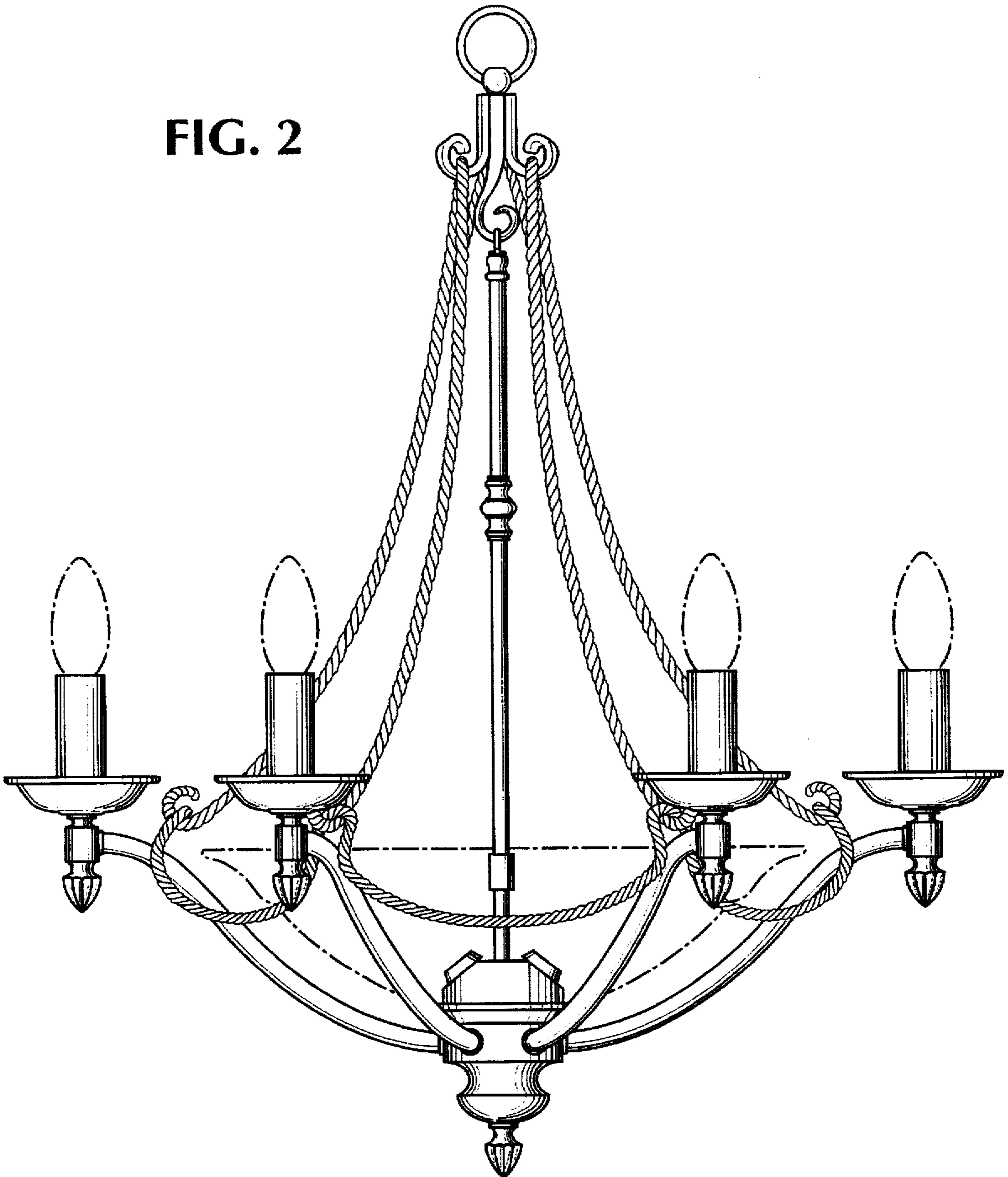


FIG. 3

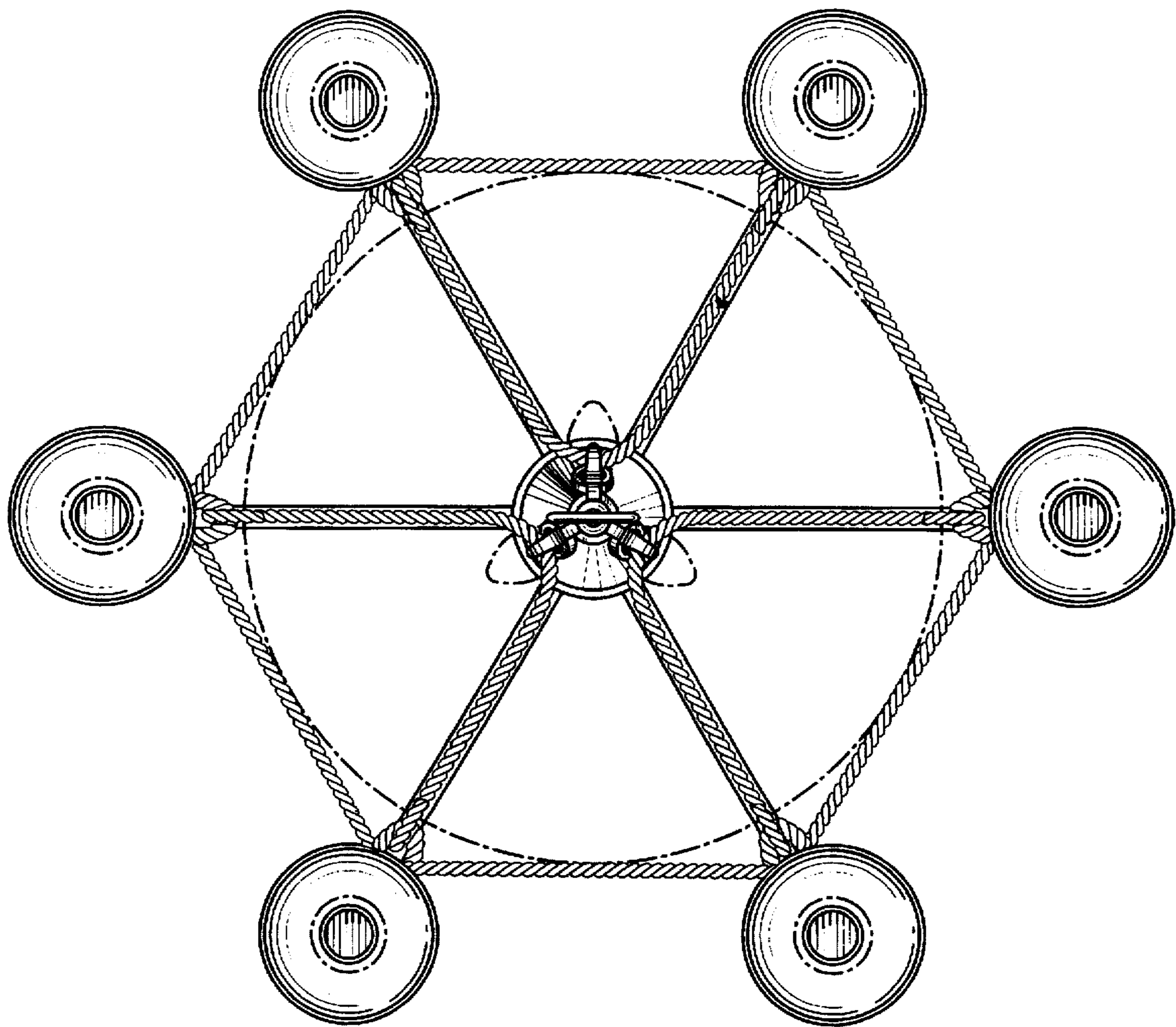


FIG. 4

