



US00D397817S

United States Patent [19] Yuen

[11] Patent Number: Des. 397,817

[45] Date of Patent: **Sep. 1, 1998

[54] SIGNAL LANTERN

[75] Inventor: John Se-Kit Yuen, Kowloon, Hong Kong

[73] Assignee: John Manufacturing Ltd., Hong Kong, Hong Kong

[**] Term: 14 Years

[21] Appl. No.: 77,006

[22] Filed: Jul. 14, 1997

[30] Foreign Application Priority Data

Jan. 15, 1997 [GB] United Kingdom 2062424

[51] LOC (6) Cl. 26-02

[52] U.S. Cl. D26/41

[58] Field of Search D26/37-50; 362/157, 362/183, 184, 188, 186, 190, 197, 200

[56] References Cited

U.S. PATENT DOCUMENTS

- D. 263,630 3/1982 Wong D26/41
- D. 296,009 5/1988 Witusik D26/41
- D. 344,348 2/1994 Zo D26/41
- D. 374,099 9/1996 Bamber D26/41

FOREIGN PATENT DOCUMENTS

1009180 10/1982 United Kingdom .

- 1012425 4/1983 United Kingdom .
- 1019578 5/1984 United Kingdom .
- 1030308 11/1985 United Kingdom .
- 1040351 2/1987 United Kingdom .
- 2034911 11/1993 United Kingdom .

Primary Examiner—Marcus A. Jackson
Attorney, Agent, or Firm—Fay, Sharpe, Beall, Fagan, Minnich & McKee

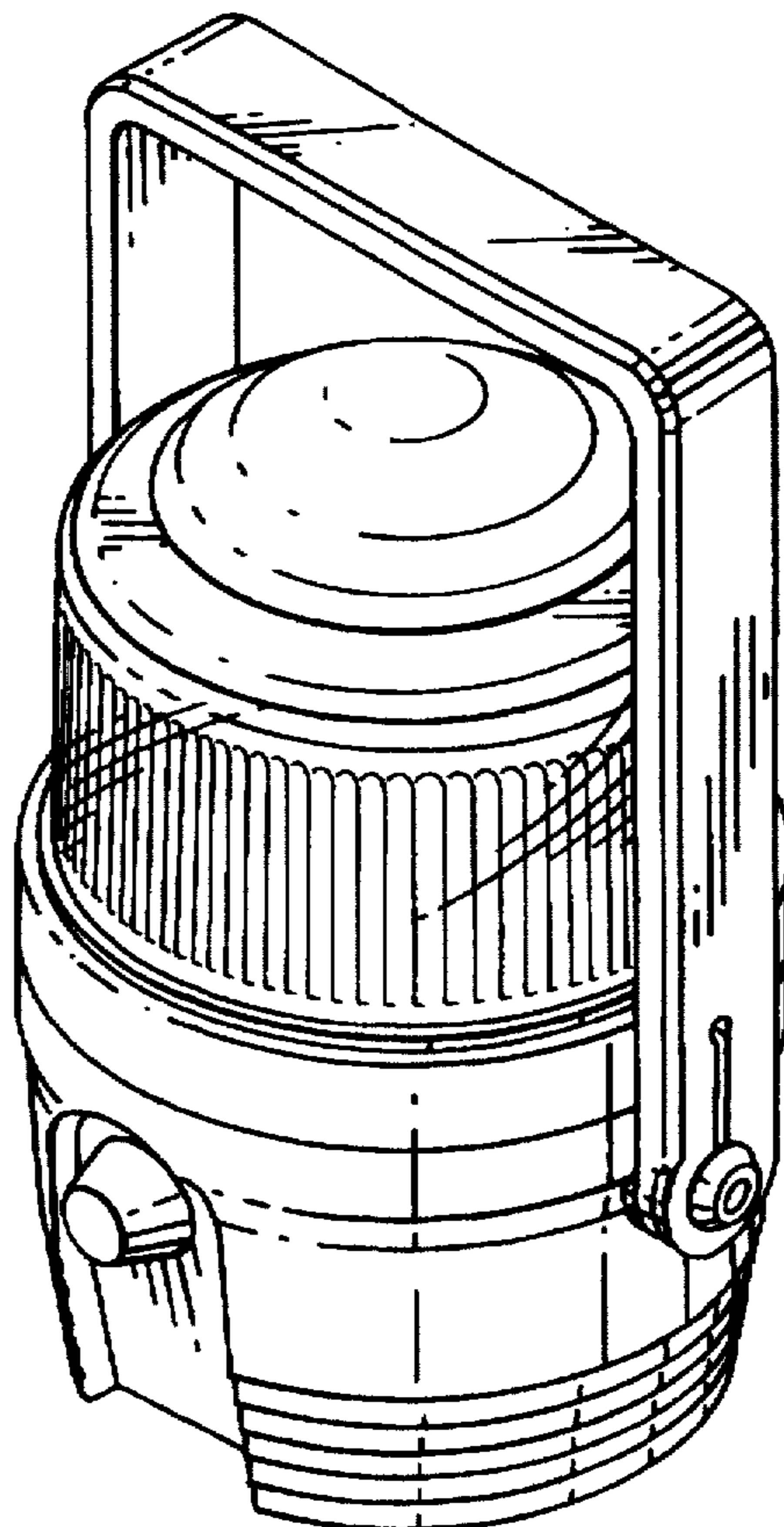
[57] CLAIM

The ornamental design for a "Signal Lantern", as shown and described.

DESCRIPTION

FIG. 1 is a front elevational view of a signal lantern showing my new design;
 FIG. 2 is a rear elevational view thereof;
 FIG. 3 is a right side elevational view thereof;
 FIG. 4 is a left side elevational view thereof;
 FIG. 5 is an top plan view thereof;
 FIG. 6 is an underneath plan view thereof;
 FIG. 7 is a perspective view thereof;
 FIG. 8 is a left side elevational view showing alternative positions thereof;
 FIG. 9 is a front elevational sectional view showing alternative positions of parts thereof; and
 FIG. 10 is a front elevational sectional view showing further alternative positions of parts.

1 Claim, 4 Drawing Sheets



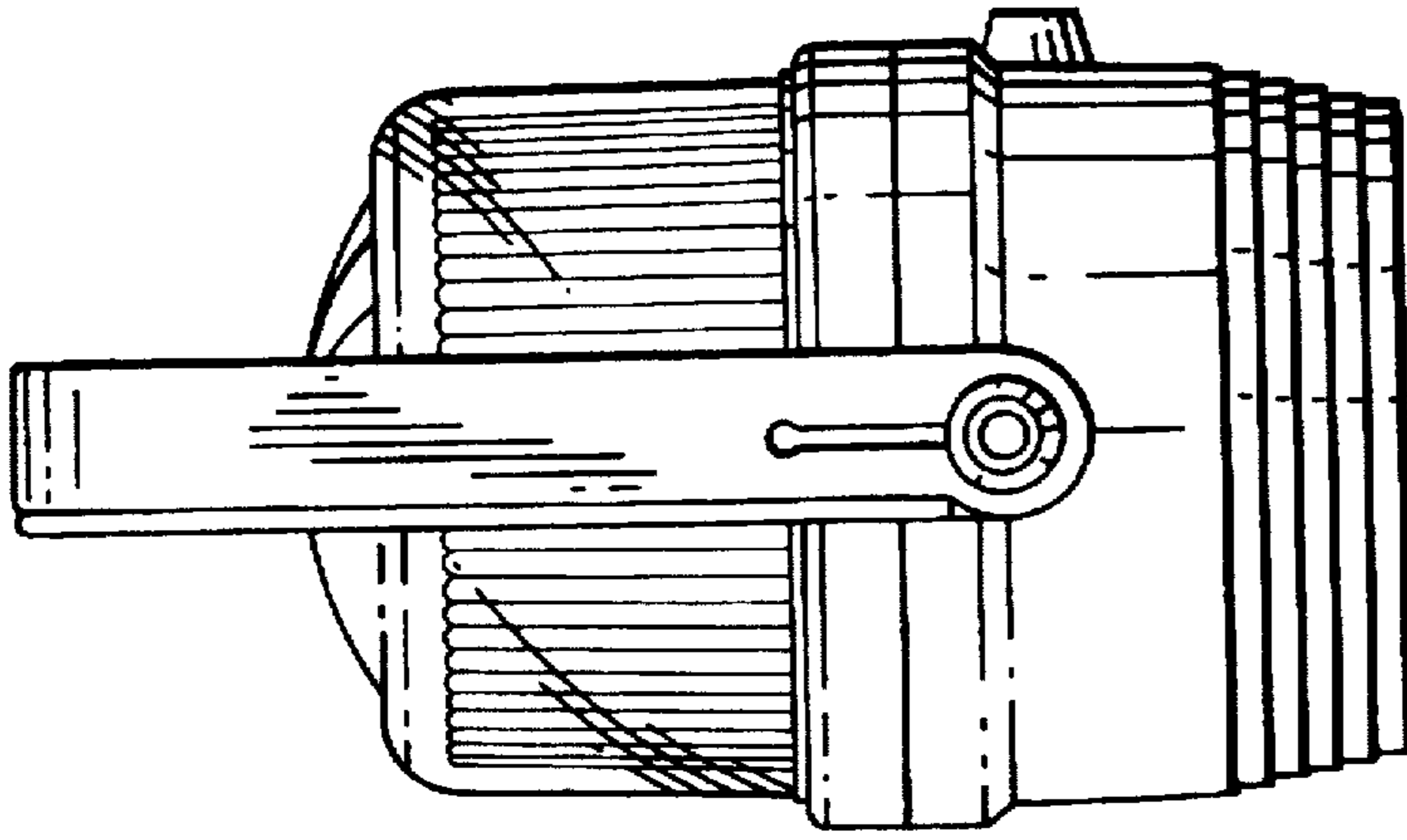


FIG. 3

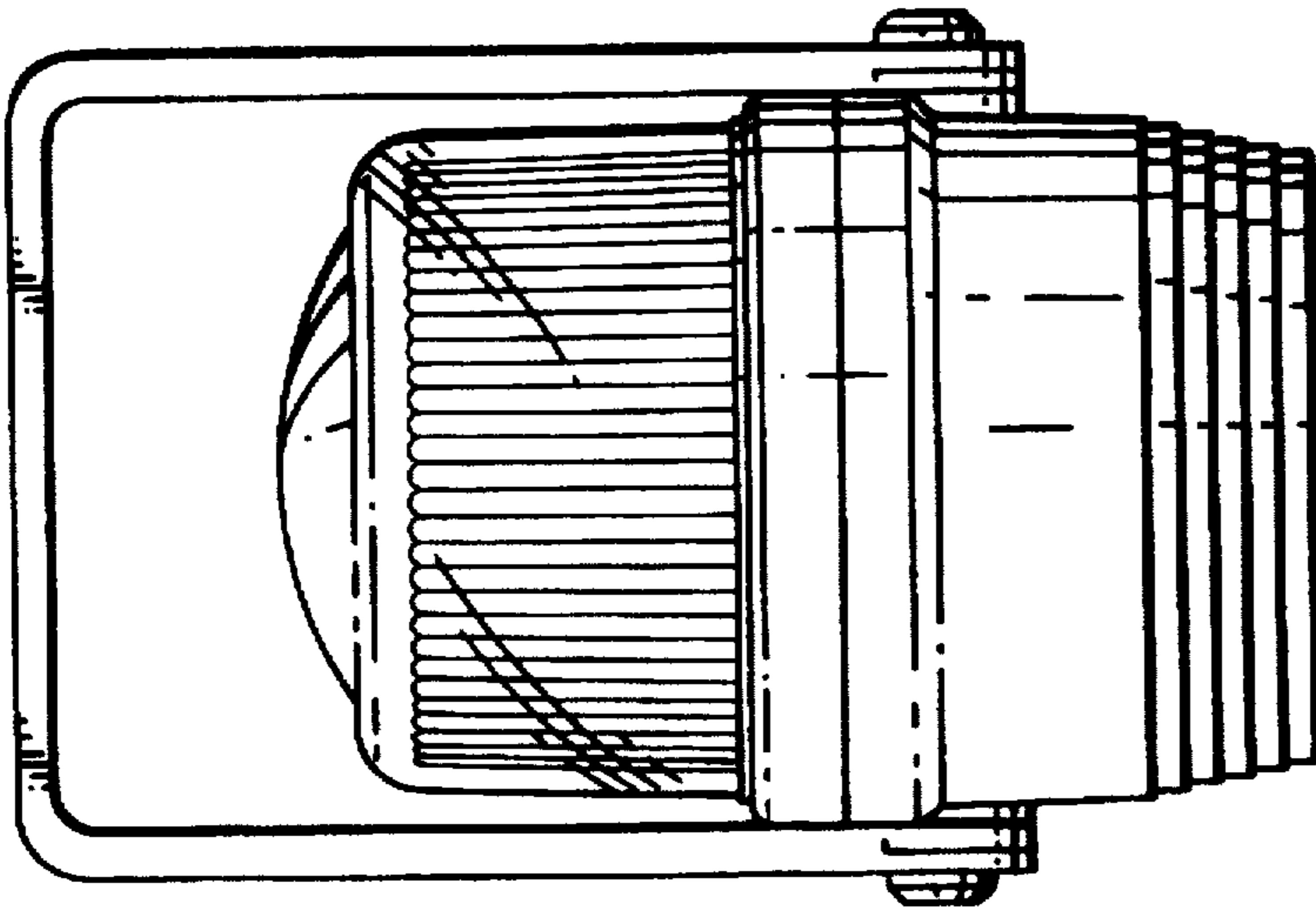


FIG. 2

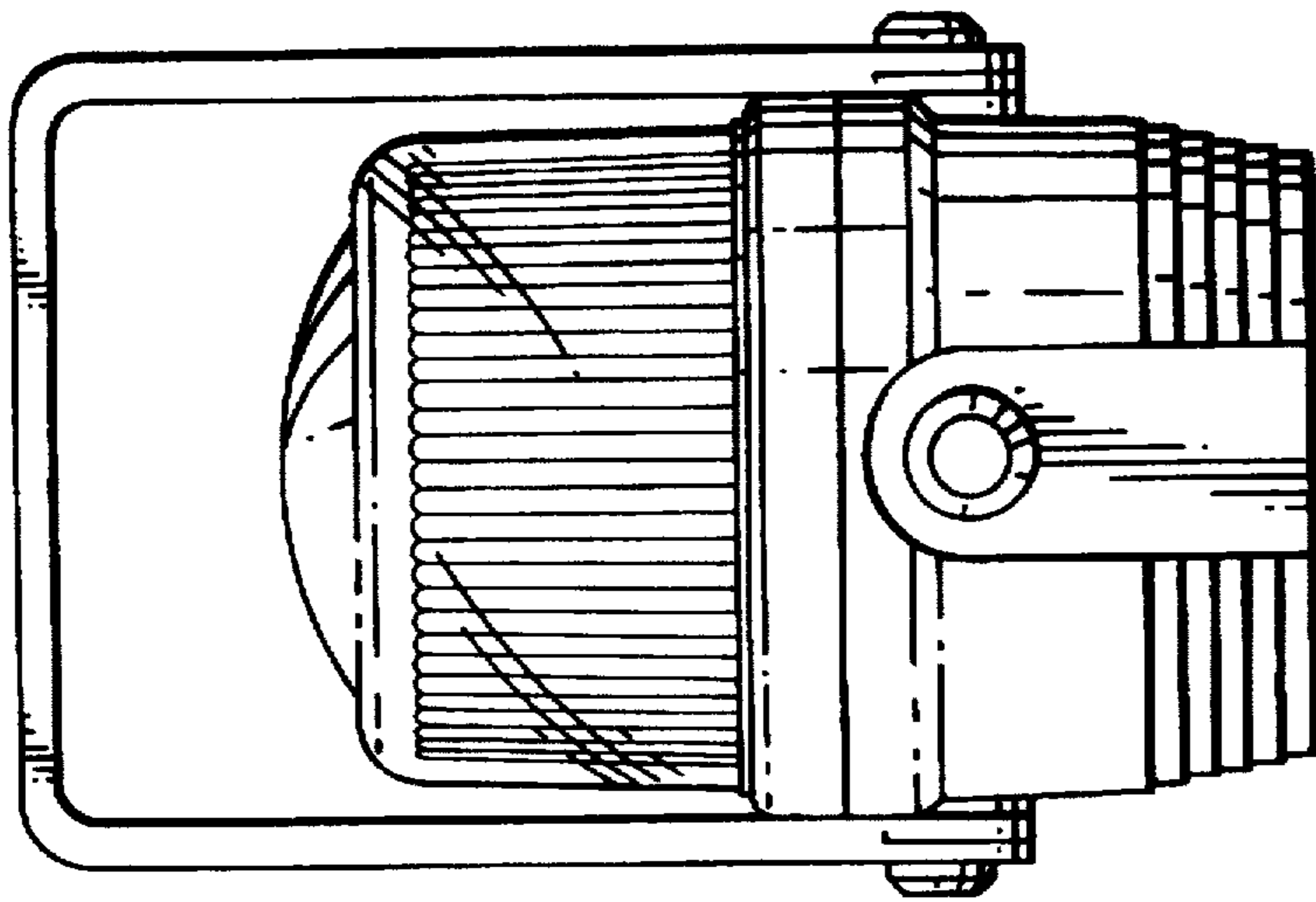


FIG. 1

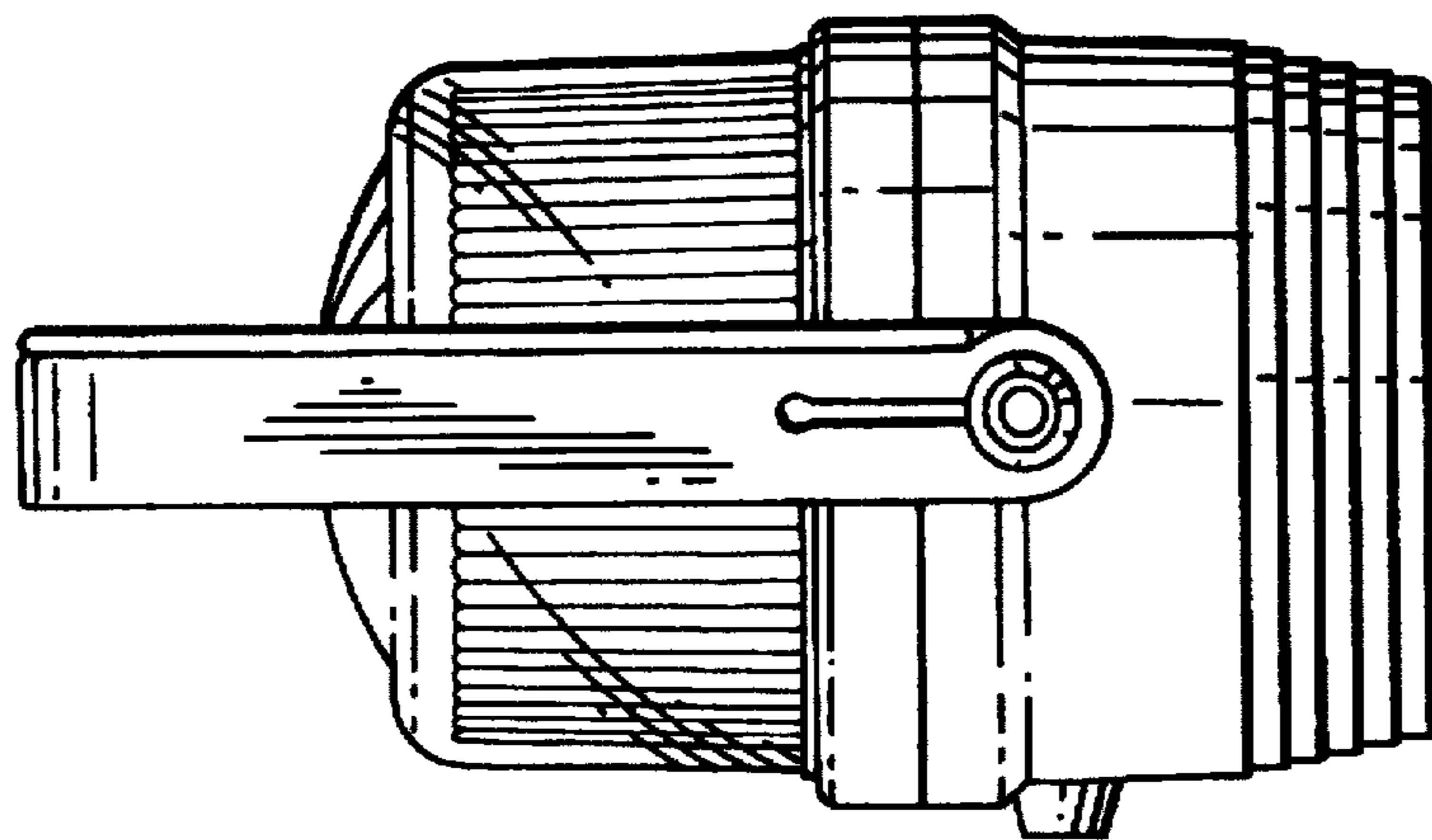


FIG. 4

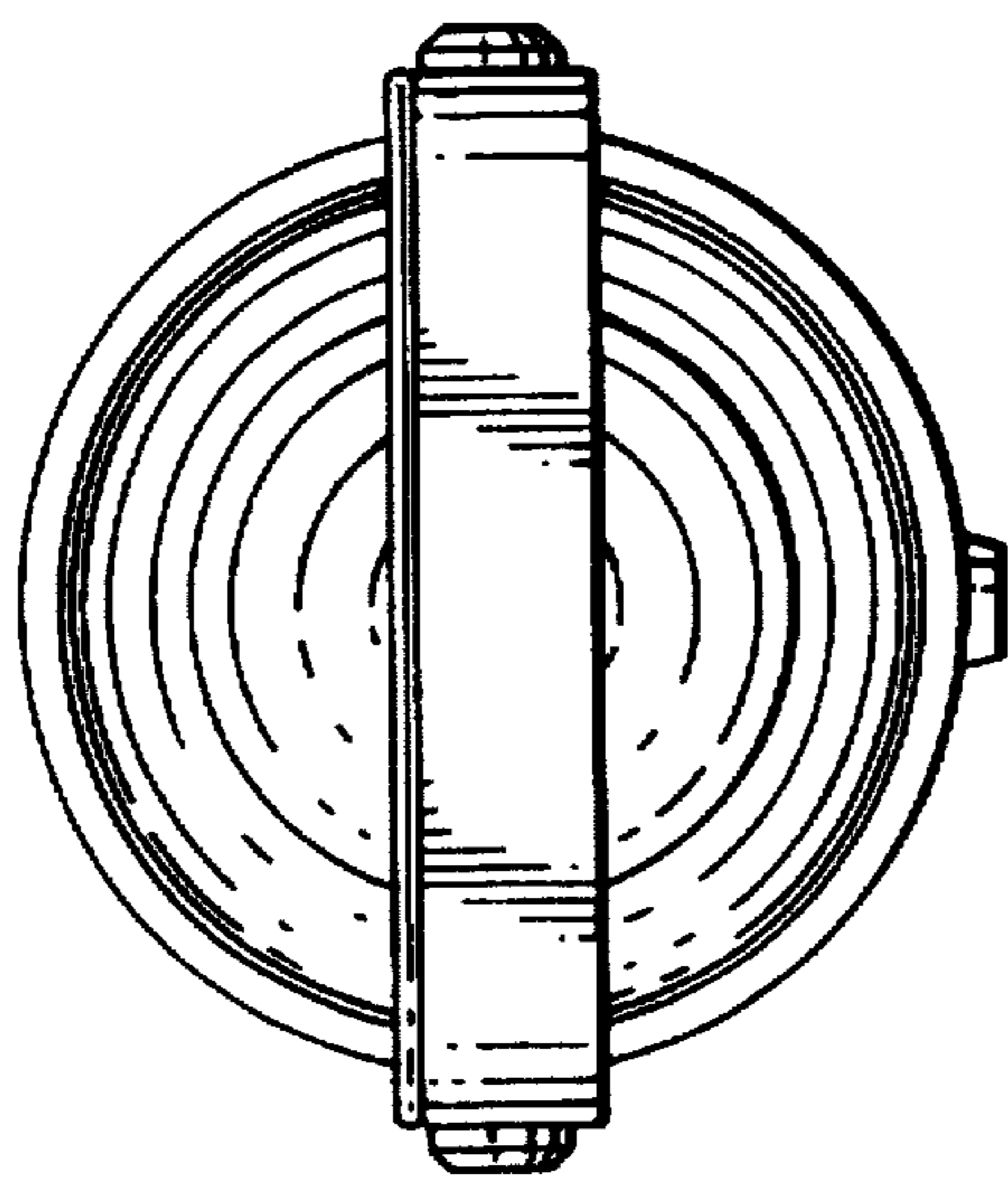


FIG. 5

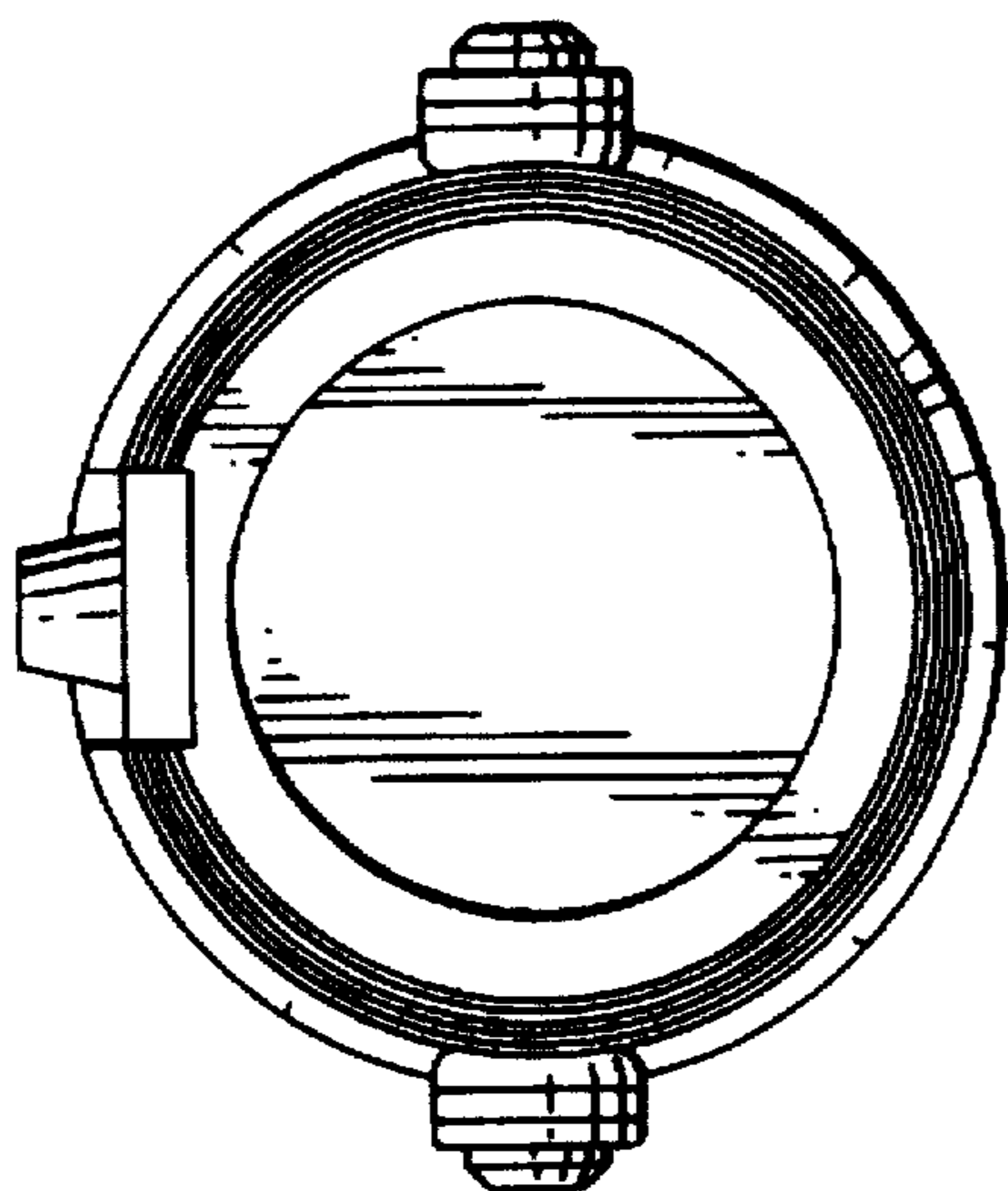


FIG. 6

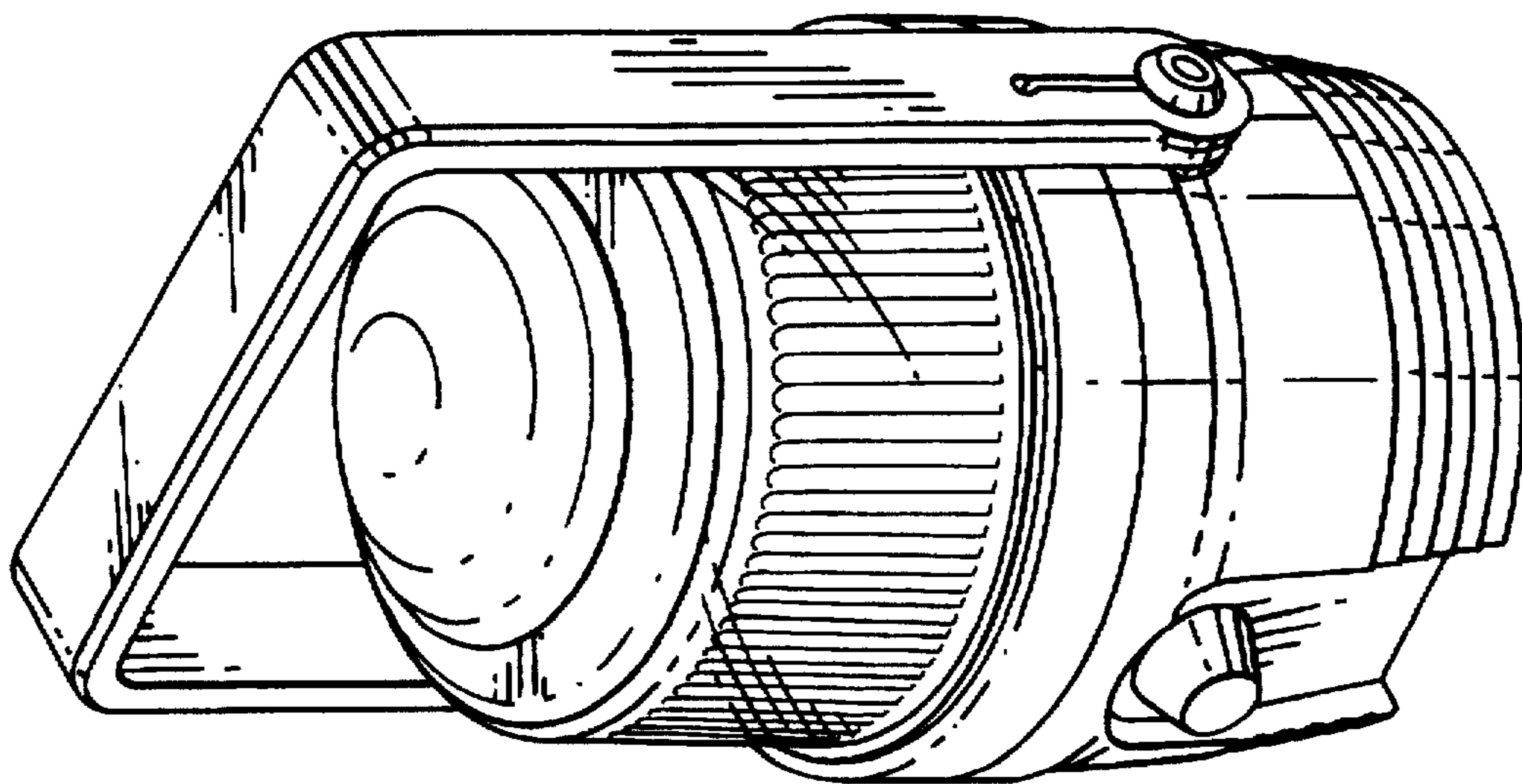


FIG. 7

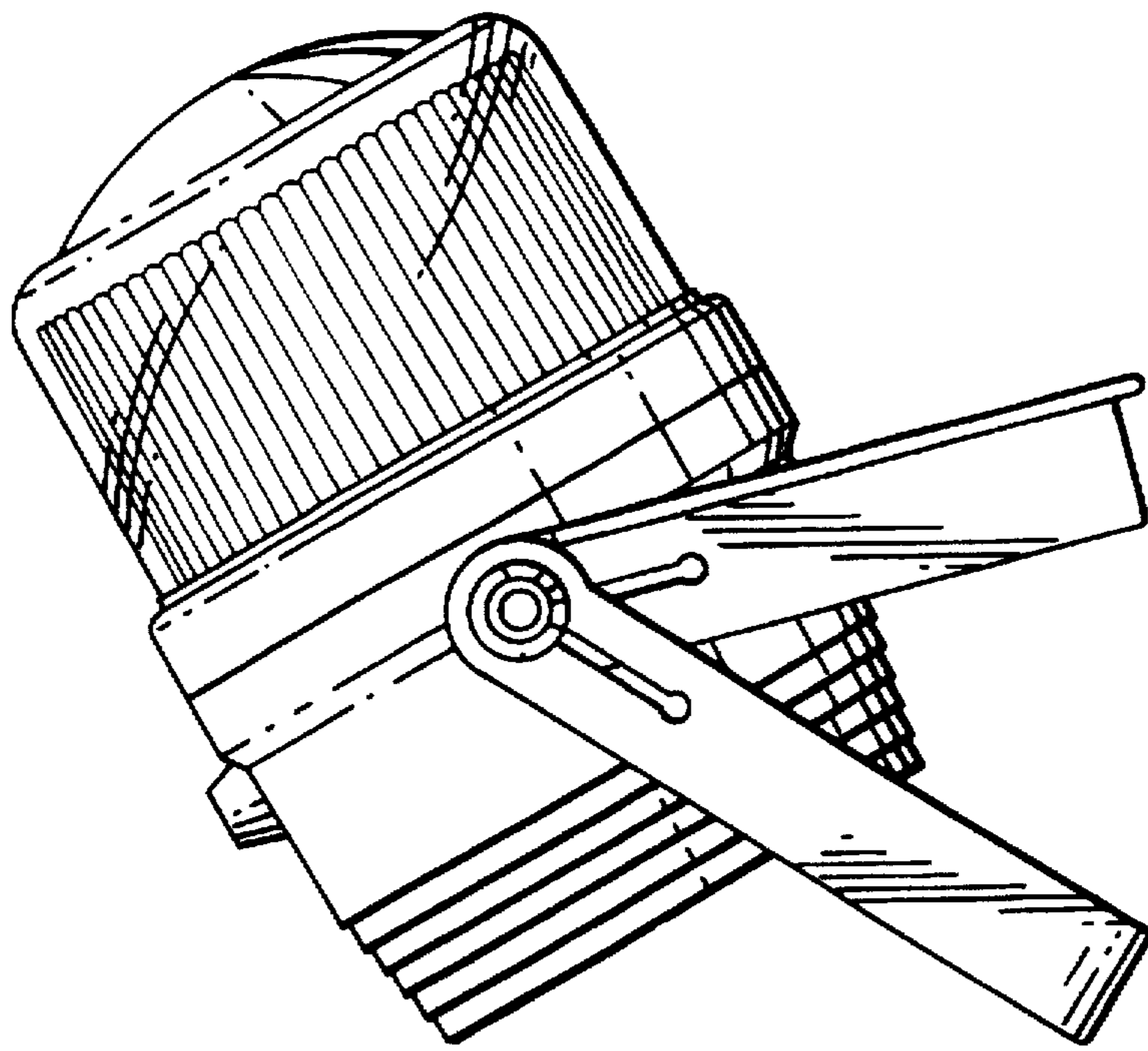


FIG. 8

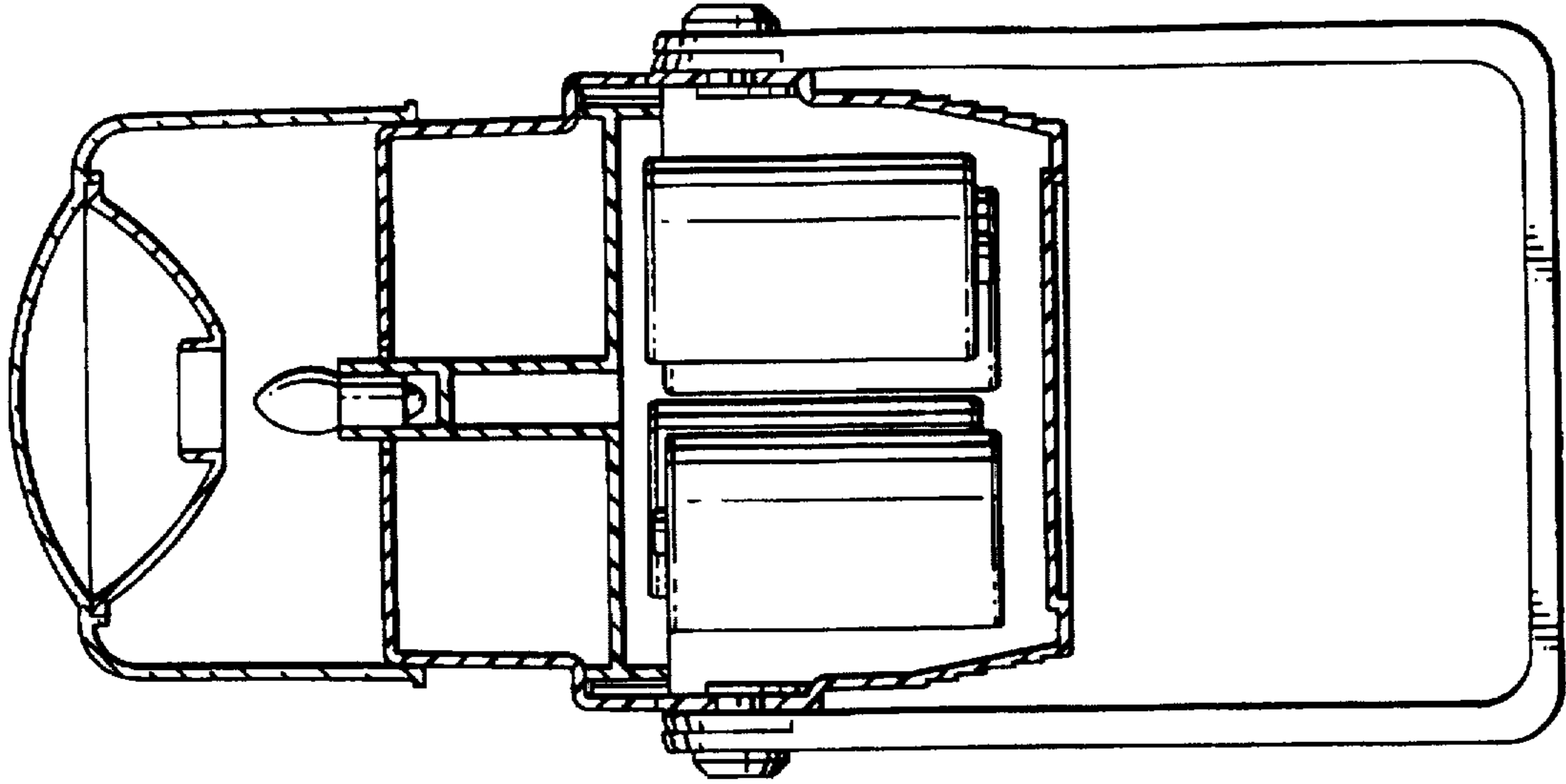


FIG. 10

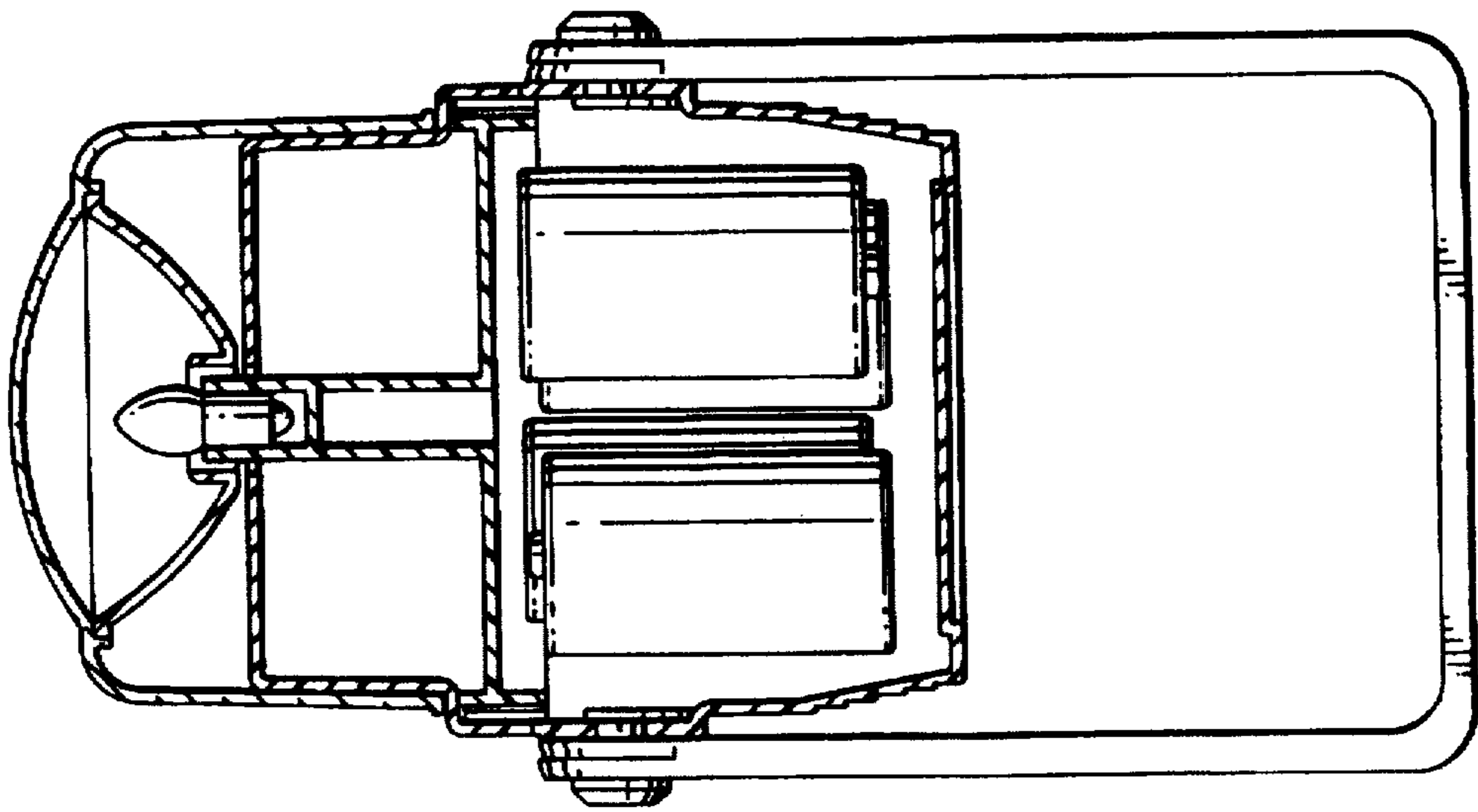


FIG. 9