



US00D397816S

United States Patent [19]

[11] Patent Number: Des. 397,816

Walls

[45] Date of Patent: **Sep. 1, 1998

[54] QUICK COUPLING DOCKING LIGHT

[76] Inventor: **Danny M. Walls**, 710 Shiloh Rd.,
Pocahontas, Ark. 72455

[**] Term: **14 Years**

[21] Appl. No.: **72,337**

[22] Filed: **Jun. 17, 1997**

[51] LOC (6) Cl. **26-06**

[52] U.S. Cl. **D26/28**

[58] Field of Search D26/24, 28-36,
D26/93; 362/287, 418, 419, 427

[56] References Cited

U.S. PATENT DOCUMENTS

- D. 269,464 6/1983 Caroli D26/28
- D. 320,462 10/1991 Williams D26/28

Primary Examiner—Marcus A. Jackson
Attorney, Agent, or Firm—Stephen D. Carver

[57] CLAIM

The ornamental design for a quick coupling docking light, as shown and described.

DESCRIPTION

FIG. 1 is a perspective view of a quick coupling docking light showing my new design, with the cord broken away to indicate indeterminate length;

FIG. 2 is a perspective view taken generally from the rear and bottom of FIG. 1;

FIG. 3 is a front elevational view thereof, with the cord portion omitted;

FIG. 4 is a side elevational view taken generally from the left of FIG. 3;

FIG. 5 is a rear elevational view thereof;

FIG. 6 is a side elevational view taken generally from the right of FIG. 3;

FIG. 7 is a top plan view; and,

FIG. 8 is a bottom plan view.

1 Claim, 4 Drawing Sheets

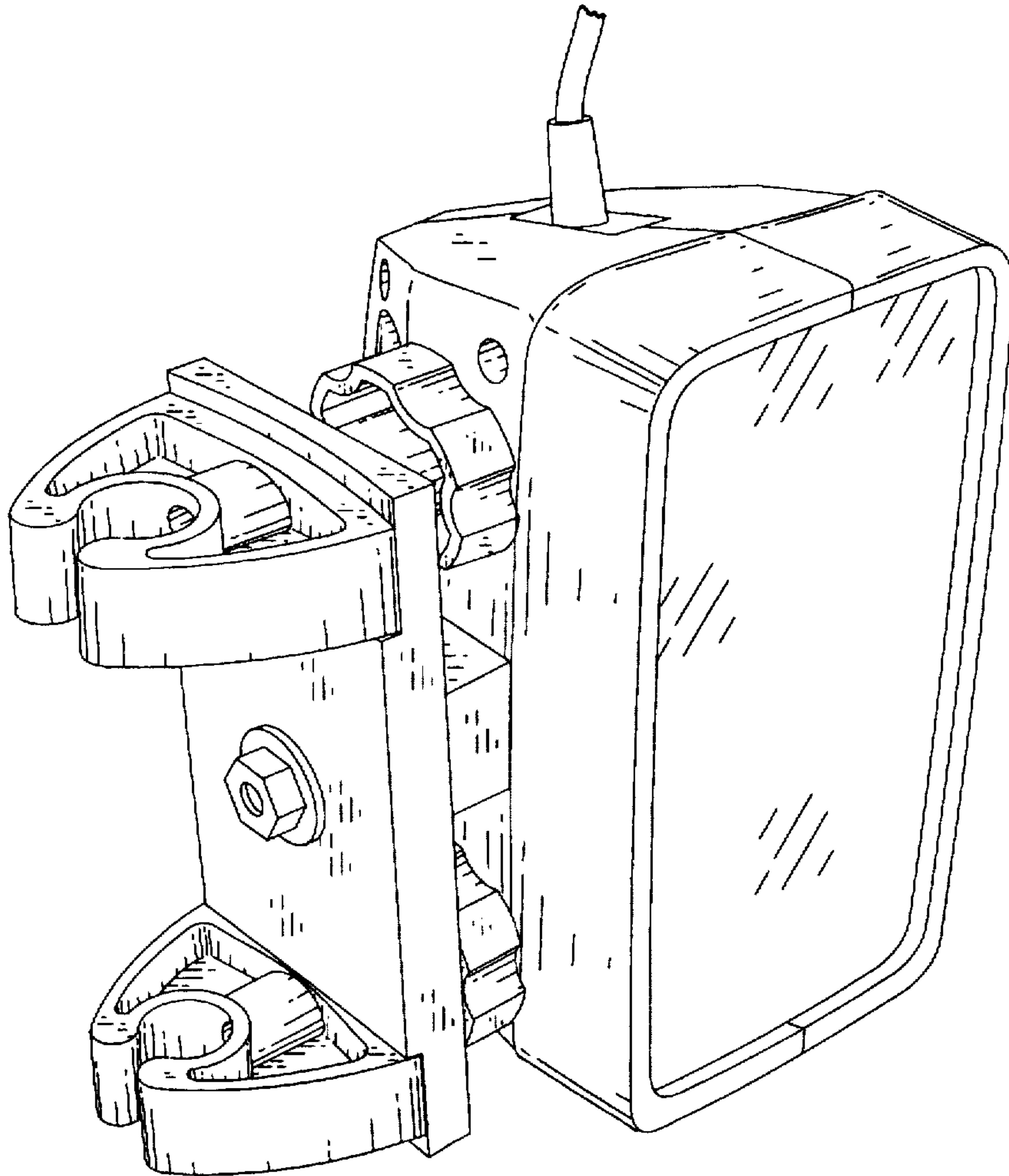


FIG. 1

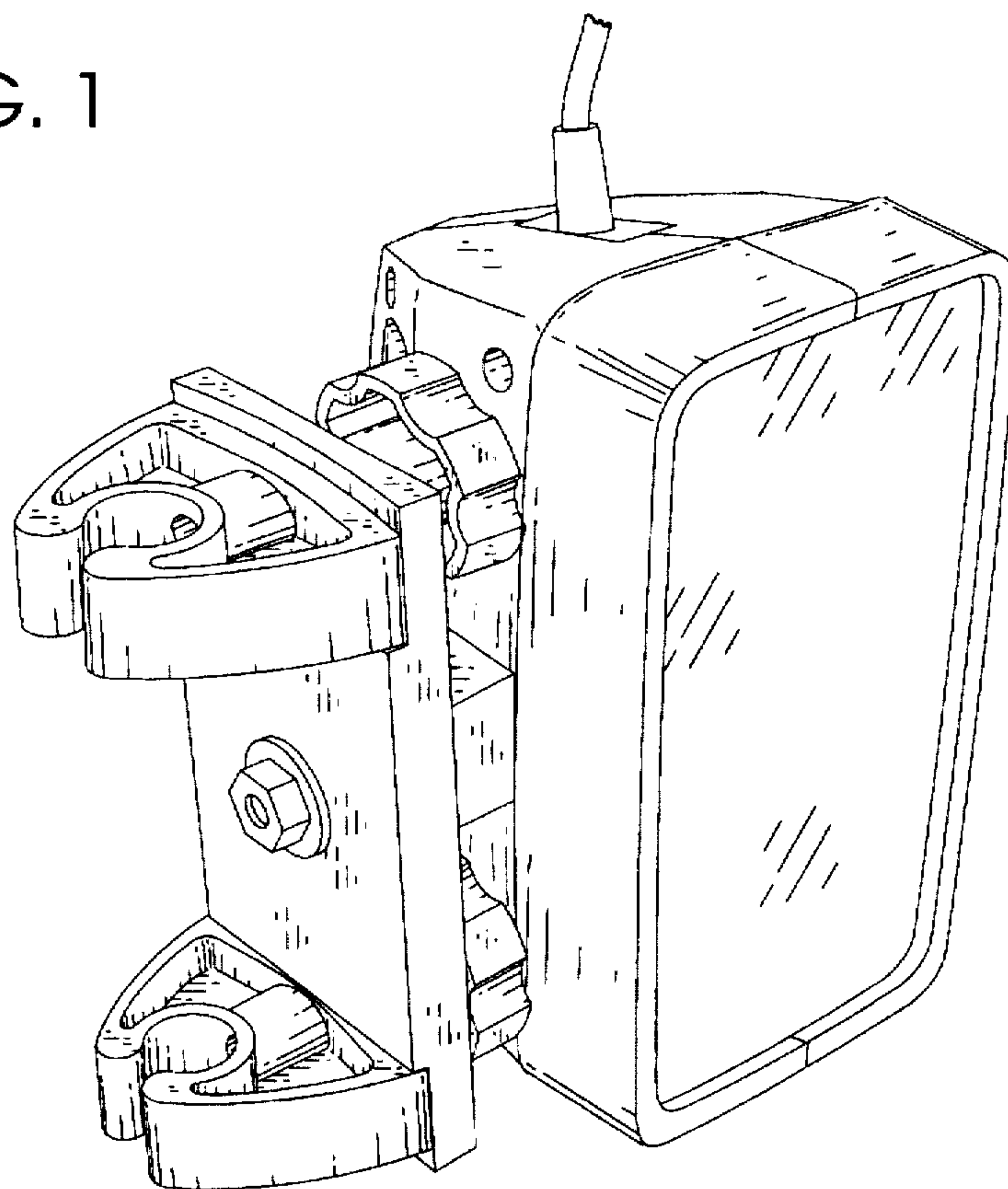


FIG. 2

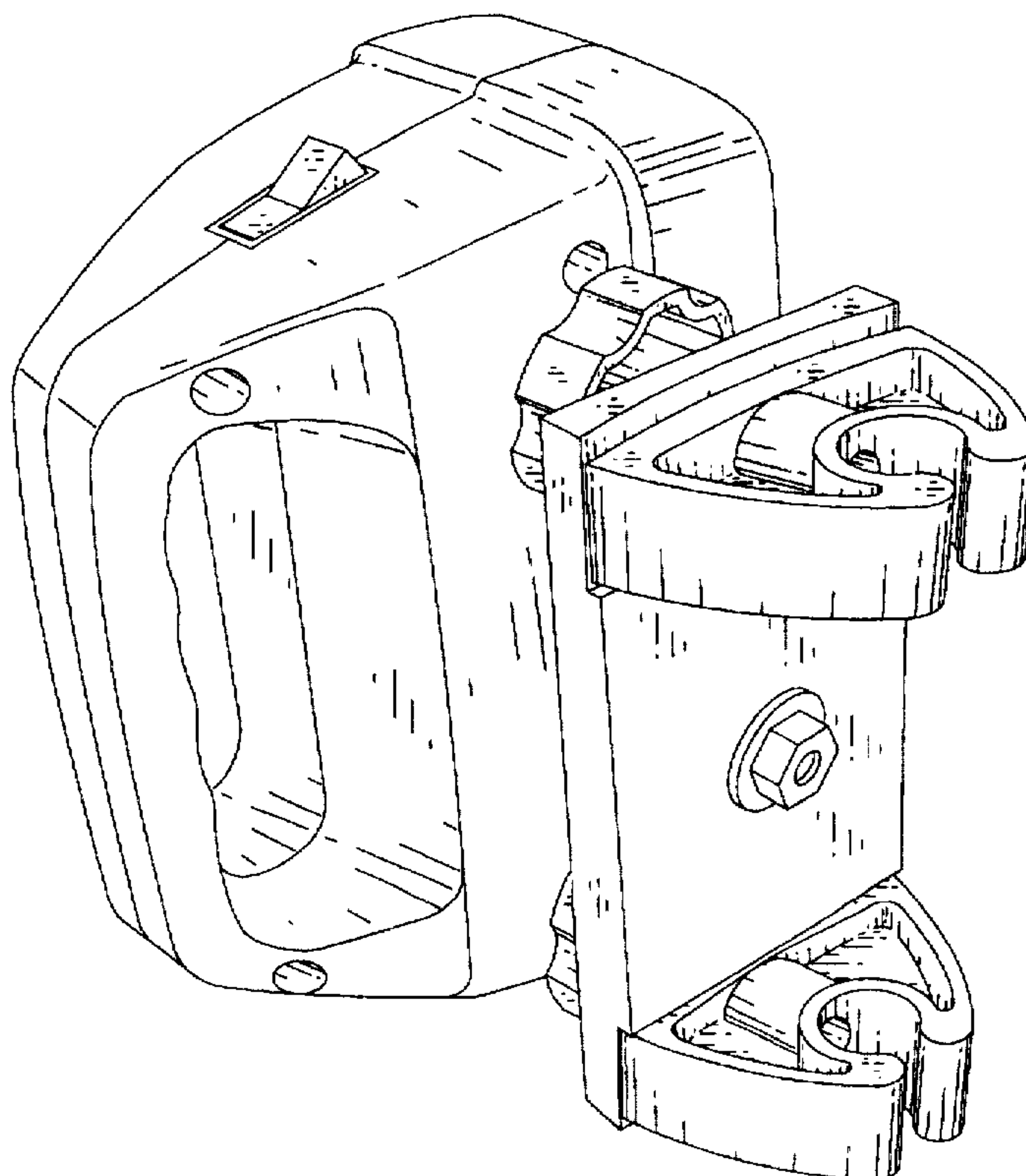


FIG. 3

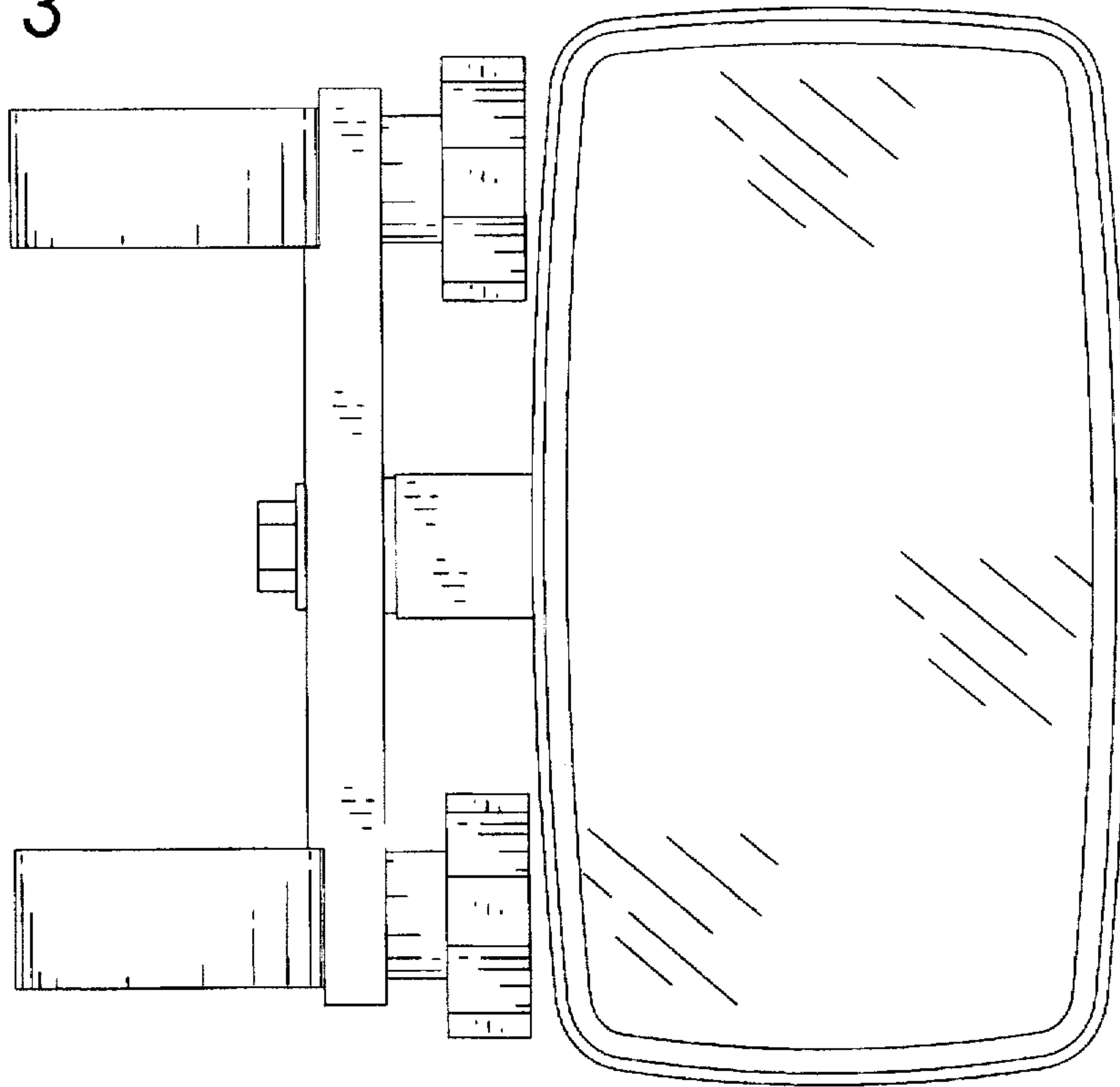


FIG. 4

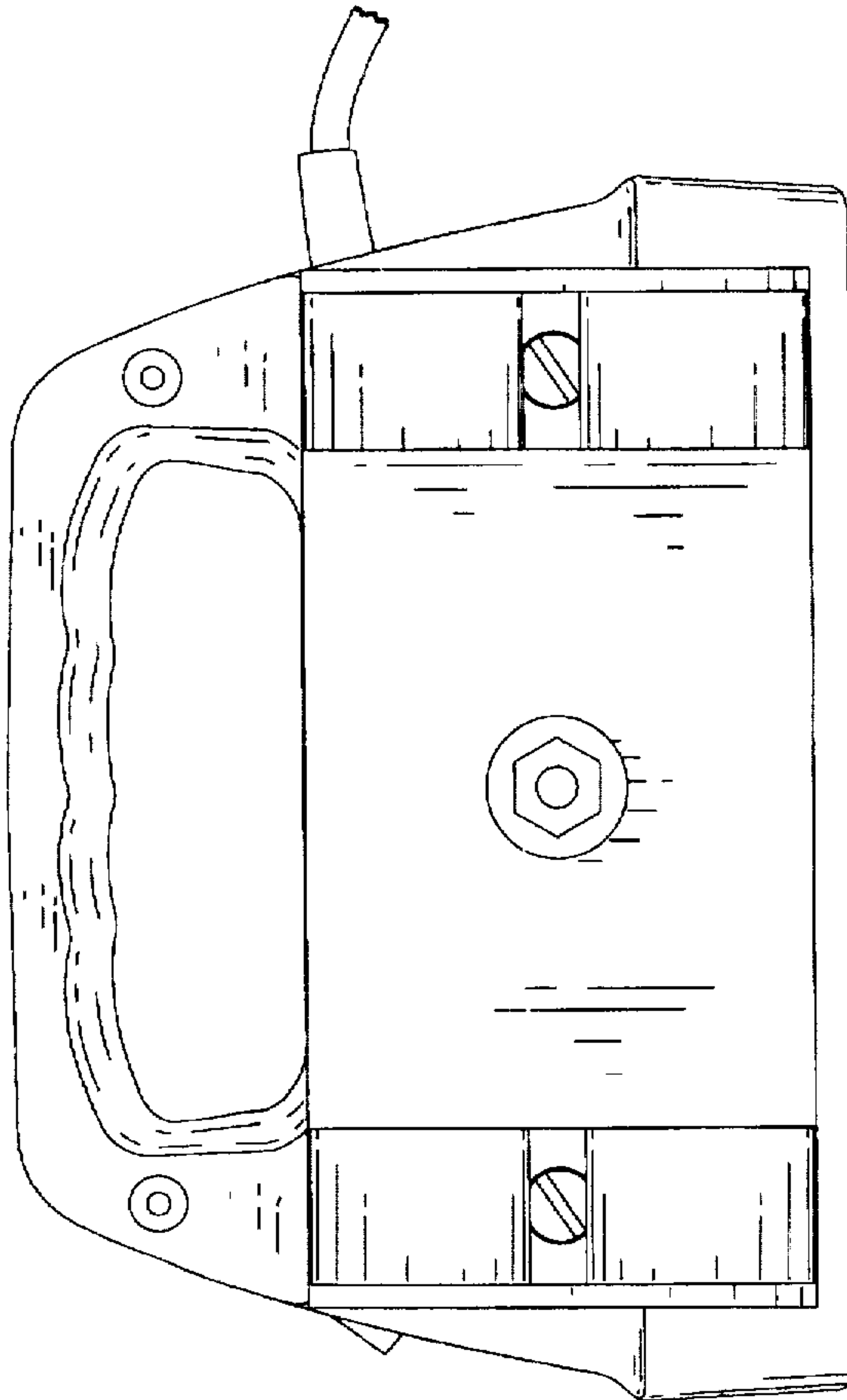


FIG. 5

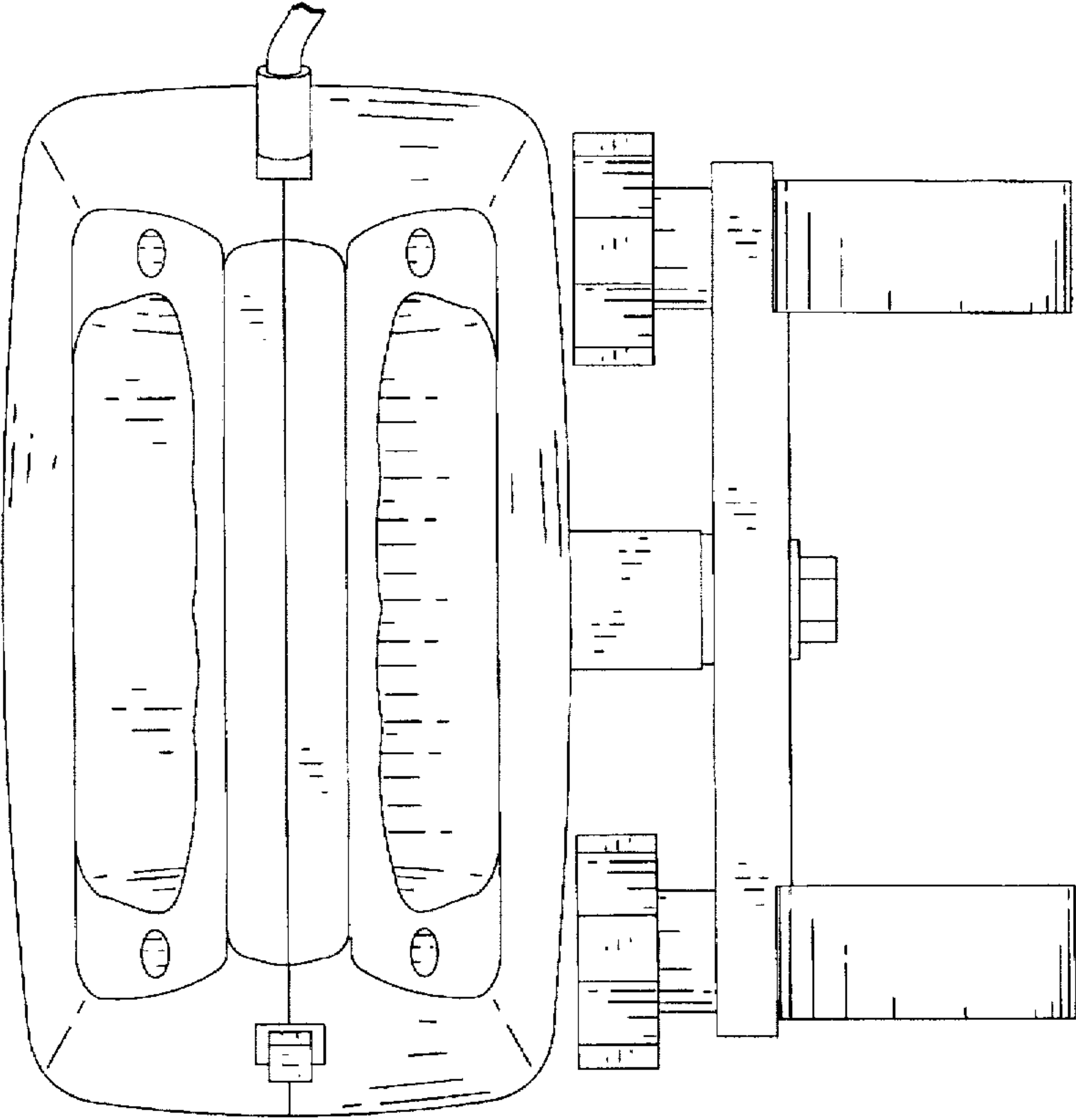


FIG. 6

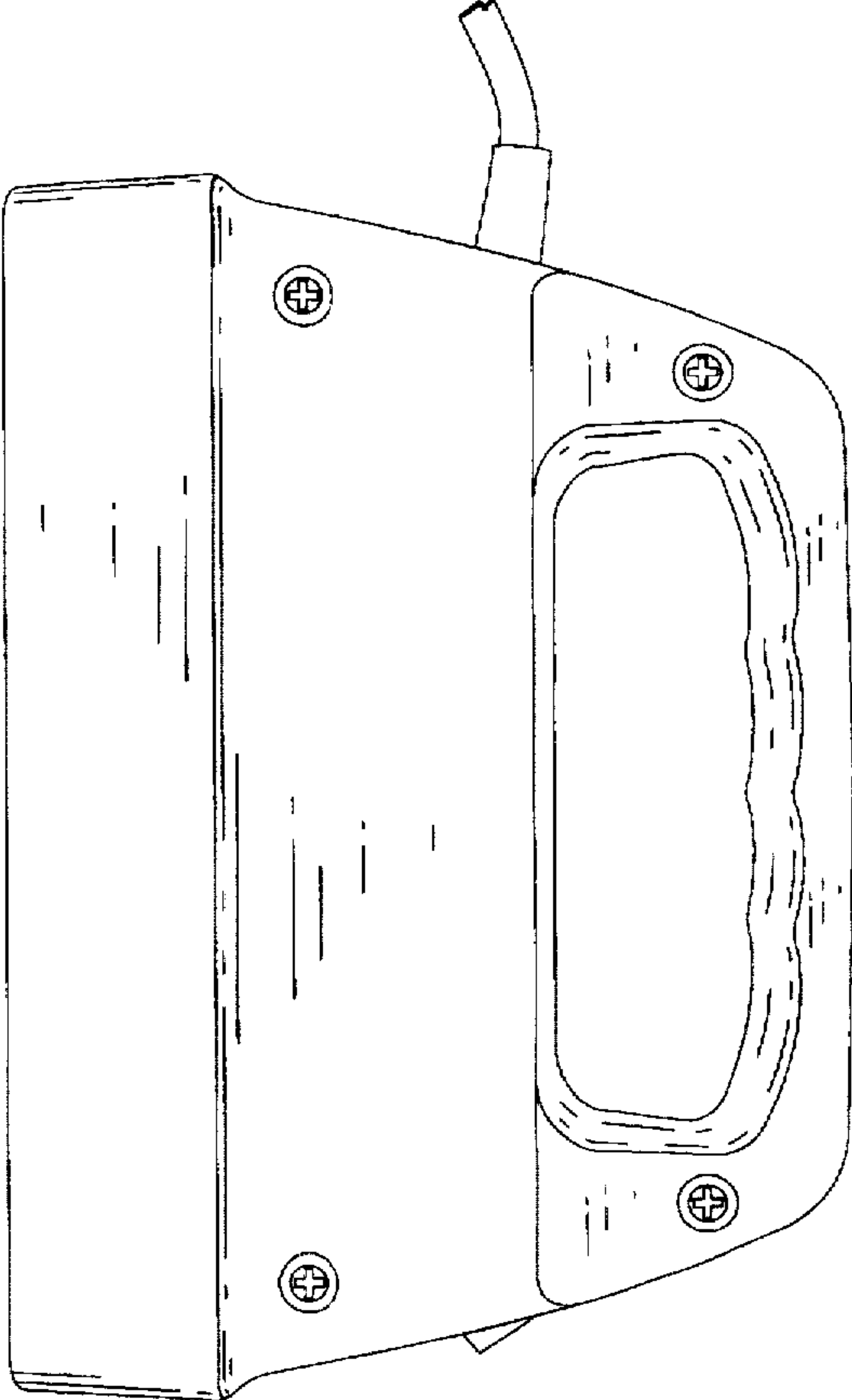


FIG. 7

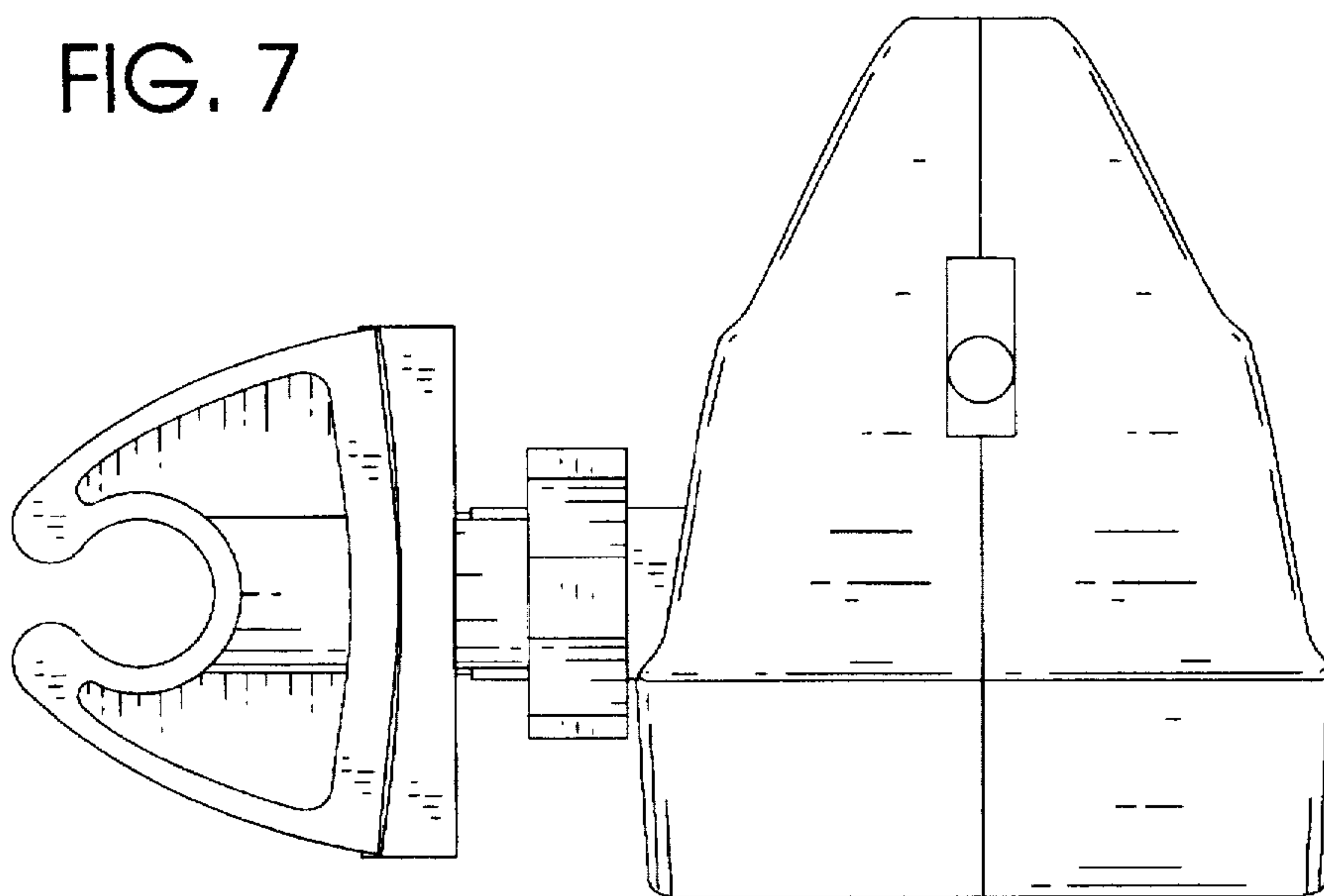


FIG. 8

